



KOUTSOFTA
BROS.

A&G KOUTSOFTA BROS LTD

23 Markou Drakou, Dasaki Achnas, Cyprus

koutsoftabros@cytanet.com.cy

Tel: +357 24722500

TRUCK BODY FITTINGS

A&G Koutsofta Bros Ltd

23 Markou Drakou, Dasaki Achnas, Cyprus

Tel: +357 24722500 · koutsoftabros@cytanet.com.cy

www.koutsoftabros.com.cy

CAPITOLO CHAPTER	DESCRIZIONE	DESCRIPTION	IMMAGINE IMAGINE
1	<ul style="list-style-type: none"> Cilindri idraulici telescopici Culle per ancoraggio cilindri Supporti per cilindri Centraline C.C. per ribaltabili 	<ul style="list-style-type: none"> Telescopic cylinders Cradles for telescopic cylinders Brackets for cylinders D.C. Power packs for dumpers 	
2	<ul style="list-style-type: none"> Particolari per porte a serranda Chiusure per sponde Catenacci a molla Chiusure a pomolo Leve freno per carri agricoli 	<ul style="list-style-type: none"> Roll-up doors fittings Sideboards locks Toogle fastner + sheet knob tipe locks Parking bracke lever 	
3	<ul style="list-style-type: none"> Cerniere e perni Leve comando cerniere Saltarello fermaleve e riscontro Piastrine per sponde 	<ul style="list-style-type: none"> Pins and hinges Upside-down hinges opening levers Rear side boars pawls Plate for side board 	
4	<ul style="list-style-type: none"> Sfere per ribaltabili Kit sfera orizzontale Kit a forcella Articolazioni e chiusure per ribaltabili 	<ul style="list-style-type: none"> Threeway typping Horizontal threeway typping Fork kit Tilting bodies spheres 	
5	<ul style="list-style-type: none"> Verricelli Verivello con riduttore 	<ul style="list-style-type: none"> Winches Winch for hand-lifting with brake 	
6	<ul style="list-style-type: none"> Piantoni in alluminio Piantoni in ferro Testate Accessori per piantoni 	<ul style="list-style-type: none"> Alluminium pillars Steel pillars Head Fittings for pillars 	
7	<ul style="list-style-type: none"> Tendi telone Centinature Carrelli per teloni Riduttori alza centina 	<ul style="list-style-type: none"> Curtain tensioner's Curtain roller trolley's Wheel Reduction gear 	
8	<ul style="list-style-type: none"> Cinghie ferma carico Ganci per cinghie Cavallotti tendifune 	<ul style="list-style-type: none"> Belt with twnsor Hooks for straps Lashing ring and nylon hook 	



CAPITOLO CHAPTER	DESCRIZIONE	DESCRIPTION	IMMAGINE IMAGINE
9	<ul style="list-style-type: none">Anelli fermacaricoGanci telone e tendifuneSupporti asta centinaSupporto tubo centinaSupporti per fissaggio chassis	<ul style="list-style-type: none">Lashing ringRope guide hooksSteel pocketsRoof rubber bracketsBody mounted brackets	
10	<ul style="list-style-type: none">Porta ruotaPedane salita e scalette estr.Barre telescopiche fermacaricoBarre estensibili porta abitoTwist lockBlocchi ad angolo CNT	<ul style="list-style-type: none">Side fastening wheel carrier'sFolding stepTelescopic lashing barsGarments shoring barsTwist lockCasting corner CNT	
11	<ul style="list-style-type: none">CassetteProfili e guarnizioni in PVCCerniere continue in alluminioTaniche acquaMontanti per parabicicletteSerbatoi	<ul style="list-style-type: none">Tool boxesPVC profilesAlluminium continuous hingeWater tanksParacicle safety guard'sFuel tanks	
12	<ul style="list-style-type: none">TappiTamponi paracolpiSupporti parafangoParafanghiGuidovie ganci carne e supporti	<ul style="list-style-type: none">Black capsRubber buffersWing fixing bracketsMudguardsRails and support for meat hooks	
13	<ul style="list-style-type: none">Cerniere per frigoFermaportaAccessori per frigo	<ul style="list-style-type: none">HingesStop doorFitting for frigo van	
14	<ul style="list-style-type: none">Chiusure ad incassoChiusure esterne	<ul style="list-style-type: none">Recessed lockParking bracke lever	
15	<ul style="list-style-type: none">Accessori per carrelli	<ul style="list-style-type: none">Fittings for trailers	
16	<ul style="list-style-type: none">Pianali in alluminioLaminati in fibra di vetro	<ul style="list-style-type: none">PlankitReinforced skin fiberglass	



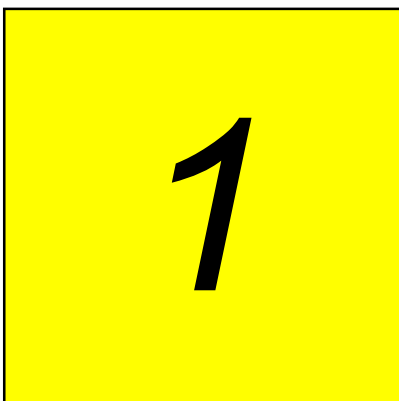
KOUTSOFTA
BROS.

A&G KOUTSOFTA BROS LTD

23 Markou Drakou, Dasaki Achnas, Cyprus

koutsoftabros@cytanet.com.cy

Tel: +357 24722500



- Cilindri idraulici telescopici
- Culle per ancoraggio cilindri
- Supporti per cilindri
- Centraline C.C. per ribaltabili

- *Telescopic cylinders*
- *Cradles for telescopic cylinders*
- *Brackets for cylinders*
- *D.C. Power packs for dumpers*



TABELLA INCLINAZIONE CASSONE IN BASE ALLA DISTANZA PERNI E CORSA DEL CILINDRO BODY TILTING TABLE ON THE DISTANCE OF THE PINS AND THE CYLINDER STROKES

RM \ DP	360	480	500	600	680	700	800	850	900	950	1000	1050	1150	1200	1250	1300	1500	1700	1850	1900	2150	2300	2600	
500	42°	57°	60°	*	*	*	*	*	*	*	*	*	*	*	*	*	*	*	*	*	*	*	*	*
600	35°	47°	49°	60°	*	*	*	*	*	*	*	*	*	*	*	*	*	*	*	*	*	*	*	*
700	*	*	42°	51°	58°	*	*	*	*	*	*	*	*	*	*	*	*	*	*	*	*	*	*	*
800	*	*	*	44°	50°	52°	60°	*	*	*	*	*	*	*	*	*	*	*	*	*	*	*	*	*
900	*	*	*	*	44°	45°	53°	60°	*	*	*	*	*	*	*	*	*	*	*	*	*	*	*	*
1000	*	*	*	*	40°	41°	47°	50°	53°	57°	60°	*	*	*	*	*	*	*	*	*	*	*	*	*
1100	*	*	*	*	*	*	43°	45°	48°	51°	54°	57°	*	*	*	*	*	*	*	*	*	*	*	*
1200	*	*	*	*	*	*	*	41°	44°	74°	49°	52°	57°	*	*	*	*	*	*	*	*	*	*	*
1300	*	*	*	*	*	*	*	*	40°	43°	45°	48°	52°	55°	58°	*	*	*	*	*	*	*	*	*
1400	*	*	*	*	*	*	*	*	*	40°	42°	44°	48°	51°	53°	55°	*	*	*	*	*	*	*	*
1500	*	*	*	*	*	*	*	*	*	*	*	41°	45°	47°	49°	51°	60°	*	*	*	*	*	*	*
1600	*	*	*	*	*	*	*	*	*	*	*	*	42°	44°	46°	48°	56°	*	*	*	*	*	*	*
1700	*	*	*	*	*	*	*	*	*	*	*	*	*	41°	43°	45°	52°	60°	*	*	*	*	*	*
1800	*	*	*	*	*	*	*	*	*	*	*	*	*	*	41°	42°	49°	56°	62°	*	*	*	*	*
1900	*	*	*	*	*	*	*	*	*	*	*	*	*	*	*	40°	46°	53°	58°	60°	*	*	*	*
2000	*	*	*	*	*	*	*	*	*	*	*	*	*	*	*	*	44°	50°	55°	57°	*	*	*	*
2100	*	*	*	*	*	*	*	*	*	*	*	*	*	*	*	*	42°	48°	52°	54°	62°	*	*	*
2200	*	*	*	*	*	*	*	*	*	*	*	*	*	*	*	*	40°	45°	50°	51°	58°	*	*	*
2300	*	*	*	*	*	*	*	*	*	*	*	*	*	*	*	*	*	43°	47°	49°	56°	60°	*	*
2400	*	*	*	*	*	*	*	*	*	*	*	*	*	*	*	*	*	41°	45°	47°	53°	57°	*	*
2500	*	*	*	*	*	*	*	*	*	*	*	*	*	*	*	*	*	40°	44°	45°	51°	55°	*	*
2600	*	*	*	*	*	*	*	*	*	*	*	*	*	*	*	*	*	*	42°	43°	49°	53°	60°	*
2700	*	*	*	*	*	*	*	*	*	*	*	*	*	*	*	*	*	*	40°	41°	47°	50°	58°	*
2800	*	*	*	*	*	*	*	*	*	*	*	*	*	*	*	*	*	*	*	40°	45°	48°	55°	*
2900	*	*	*	*	*	*	*	*	*	*	*	*	*	*	*	*	*	*	*	*	44°	47°	53°	*
3000	*	*	*	*	*	*	*	*	*	*	*	*	*	*	*	*	*	*	*	*	42°	45°	51°	*
3100	*	*	*	*	*	*	*	*	*	*	*	*	*	*	*	*	*	*	*	*	*	*	*	49°
3200	*	*	*	*	*	*	*	*	*	*	*	*	*	*	*	*	*	*	*	*	*	*	*	48°
3300	*	*	*	*	*	*	*	*	*	*	*	*	*	*	*	*	*	*	*	*	*	*	*	46°

RM= Corsa utile cilindro (mm).
Stroke cylinder (mm).

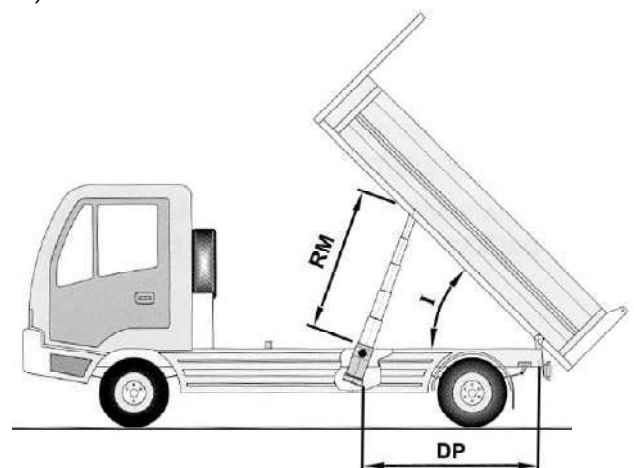
DP= Distanza perni (mm).
Pivot distance (mm).

I= Inclinazione cassone.
Body tilting.

N.B.

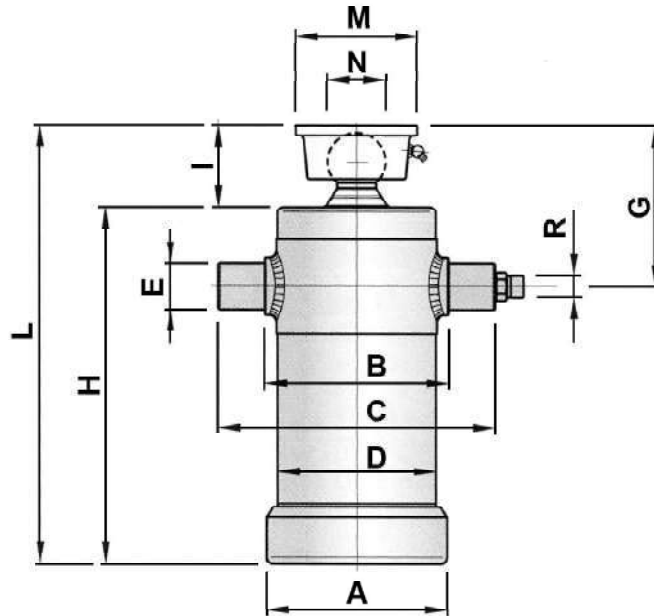
Evitare nel modo più assoluto di far arrivare a fine corsa il cilindro e di far poggiare sullo stesso il cassone quando è in posizione di lavoro.

Absolutely avoid the cylinder reaching the end of its stroke and touching the body when in rest position.



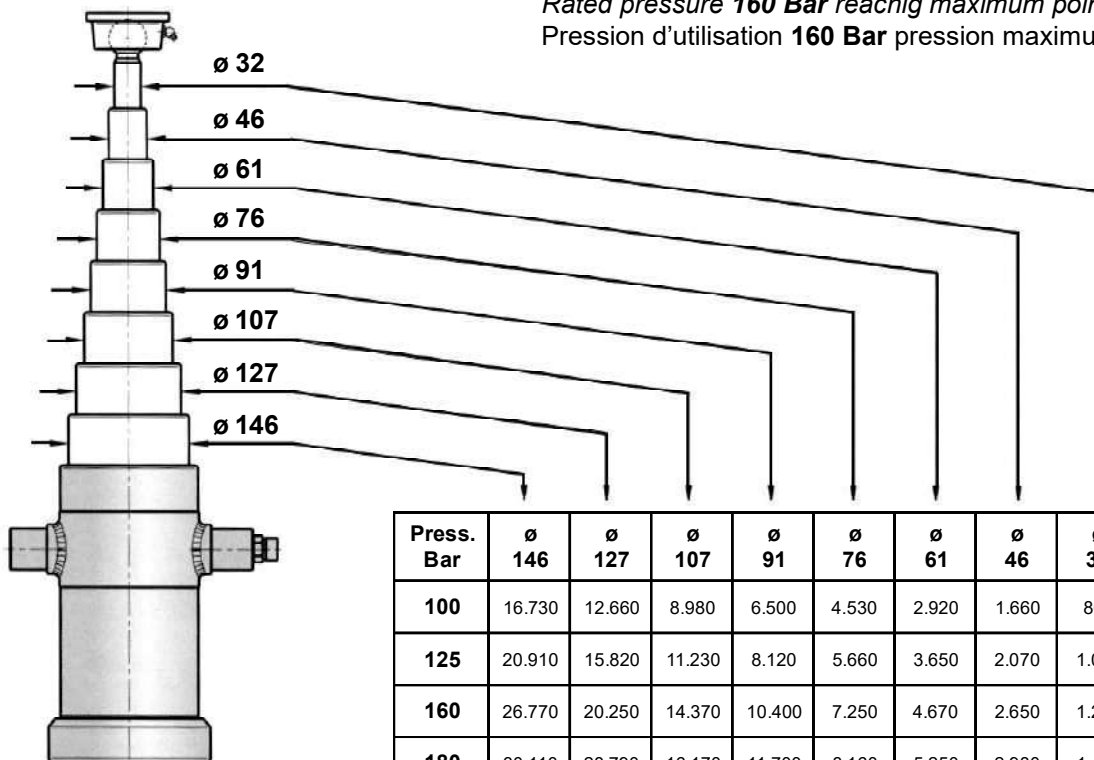


CILINDRO A SFERA
CYLINDER WITH BALL
VÉRIN A ROTULE




Portata in Kg, per ogni singola sfilata
Thrusts in Kg, for single extension
Charge en Kg, pour chaque expansion

Pressione di esercizio **160 Bar** con punte massime di 180 Bar
Rated pressure 160 Bar reachig maximum point of 180 Bar
Pression d'utilisation **160 Bar** pression maximum 180 Bar






CILINDRI A SFERA CROMATA CYLINDERS BALL CHROME

	Corse - Stroke - Course mm	N° Sfilate - N° Exten - N° Expar	SFILATE diametro in mm EXTENSIONS diameter in mm EXPANSION diamètre en mm							Portata - Capacity - Charge (100 bar in kg)	DIMENSIONE DEI CILINDRI mm DIMENSIONS OF CYLINDERS mm DIMENSIONS DES VÉRINS mm														Peso - Weight - Poids kg	Contenuto olio Lt - Capacity Lt - Capacité Lt.	
			32	46	61	76	91	107	127		146	A	B	C	D	E	G	H	I	L	M	N	R				
CODE																											
20500350	500	3			*	*	*				5000	130	135	220	114	35	155	245	80	325	115	55	1/2	21	3		
20600350	600	3			*	*	*				5000	130	135	220	114	35	155	280	80	360	115	55	1/2	23	3,6		
20700350	700	3			*	*	*				5000	130	135	220	114	35	155	315	80	395	115	55	1/2	25	4		
20800350	800	3			*	*	*				5000	130	135	220	114	35	155	345	80	425	115	55	1/2	27	4,6		
20900350	900	3			*	*	*				5000	130	135	220	114	35	155	380	80	480	115	55	1/2	29	5,1		
21050350	1050	3			*	*	*				5000	130	135	220	114	35	155	430	80	510	115	55	1/2	32	5,9		
21150350	1150	3			*	*	*				5000	130	135	220	114	35	155	465	80	545	115	55	1/2	35	6,4		
20480450	480	4		*	*	*	*				5000	130	135	220	114	35	145	200	70	270	100	45	1/2	17	2,6		
20600450	600	4		*	*	*	*				5000	130	135	220	114	35	145	230	70	300	100	45	1/2	18	3,1		
20680450	680	4		*	*	*	*				5000	130	135	220	114	35	145	250	70	320	100	45	1/2	19	3,5		
20850450	850	4		*	*	*	*				5000	130	135	220	114	35	145	290	70	360	100	45	1/2	22	4,2		
21050450	1050	4		*	*	*	*				5000	130	135	220	114	35	145	340	70	410	100	45	1/2	25	5,1		
21150450	1150	4		*	*	*	*				5000	130	135	220	114	35	145	365	70	435	100	45	1/2	27	5,5		
20600480	600	4			*	*	*	*			8000	145	150	230	127	40	155	230	80	310	115	55	1/2	24	4,5		
20680480	680	4			*	*	*	*			8000	145	150	230	127	40	155	250	80	330	115	55	1/2	25	5		
20850480	850	4			*	*	*	*			8000	145	150	230	127	40	155	295	80	375	115	55	1/2	28	6,1		
20950480	950	4			*	*	*	*			8000	145	150	230	127	40	155	320	80	400	115	55	1/2	30	6,8		
21050480	1050	4			*	*	*	*			8000	145	150	230	127	40	155	345	80	425	115	55	1/2	32	7,4		
21200480	1200	4			*	*	*	*			8000	145	150	230	127	40	155	380	80	480	115	55	1/2	35	8,4		
21300480	1300	4			*	*	*	*			8000	145	150	230	127	40	155	405	80	485	115	55	1/2	36	9		
21500480	1500	4			*	*	*	*			8000	145	150	230	127	40	155	455	80	535	115	55	1/2	40	10,3		
21700480	1700	4			*	*	*	*			8000	145	150	230	127	40	155	505	80	585	115	55	1/2	44	11,6		
20500550	500	5			*	*	*	*	*		5000	145	150	230	127	40	145	180	70	250	100	45	1/2	19	3,5		
20700550	700	5			*	*	*	*	*		5000	145	150	230	127	40	145	220	70	290	100	45	1/2	21	4,6		
20850550	850	5			*	*	*	*	*		5000	145	150	230	127	40	145	250	70	320	100	45	1/2	23	5,4		
21050551	1050	5			*	*	*	*	*		5000	145	150	230	127	40	145	290	70	360	100	45	1/2	26	6,5		
21150551	1150	5			*	*	*	*	*		5000	145	150	230	127	40	145	311	70	381	100	45	1/2	28	7		
21150552	1250	5			*	*	*	*	*		5000	145	150	230	127	40	145	331	70	401	100	45	1/2	29	7,6		
21500553	1500	5			*	*	*	*	*		5000	145	150	230	127	40	145	381	70	451	100	45	1/2	33	9		
21850550	1850	5			*	*	*	*	*		5000	145	150	230	127	40	145	451	70	521	100	45	1/2	38	11		
20600650	600	6	*	*	*	*	*	*	*		5000	145	150	230	127	40	145	185	65	250	100	45	1/2	18	3,6		
20850650	850	6	*	*	*	*	*	*	*		5000	145	150	230	127	40	145	225	65	290	100	45	1/2	21	4,9		
21150650	1150	6	*	*	*	*	*	*	*		5000	145	150	230	127	40	145	275	65	340	100	45	1/2	25	6,3		
21250650	1250	6	*	*	*	*	*	*	*		5000	145	150	230	127	40	145	290	65	355	100	45	1/2	26	6,8		
21000590	1000	5			*	*	*	*	*		9000	170	175	265	152	45	155	295	80	375	115	55	1/2	39	9,2		
21250590	1250	5			*	*	*	*	*		9000	170	175	265	152	45	155	345	80	425	115	55	1/2	45	11,2		
21500590	1500	5			*	*	*	*	*		9000	170	175	265	152	45	155	395	80	475	115	55	1/2	50	13,1		
21700590	1700	5			*	*	*	*	*		9000	170	175	265	152	45	155	435	80	515	115	55	1/2	54	14,7		
21850590	1850	5			*	*	*	*	*		9000	170	175	265	152	45	155	465	80	545	115	55	1/2	58	15,9		
21150590	2150	5			*	*	*	*	*		9000	170	175	265	152	45	155	525	80	605	115	55	1/2	61	18,3		
21500610	1500	6			*	*	*	*	*	*	10000	195	200	290	168	50	200	350	80	430	115	55	3/4	56	16,4		
21700610	1700	6			*	*	*	*	*	*	10000	195	200	290	168	50	200	385	80	465	115	55	3/4	62	18,5		
21900610	1900	6			*	*	*	*	*	*	10000	195	200	290	168	50	200	420	80	500	115	55	3/4	65	20,2		
22300610	2300	6			*	*	*	*	*	*	10000	195	200	290	168	50	200	485	80	565	115	55	3/4	74	24,1		
22600610	2600	6			*	*	*	*	*	*	10000	195	200	290	168	50	200	535	80	615	115	55	3/4	80	26,9		
21000512	1000	5			*	*	*	*	*	*	12000	195	200	290	168	50	200	300	80	380	115	55	3/4	44	12,6		
21250512	1250	5			*	*	*	*	*	*	12000	195	200	290	168	50	200	350	80	430	115	55	3/4	54	15,4		
21500512	1500	5			*	*	*	*	*	*	12000	195	200	290	168	50	200	400	80	480	115	55	3/4	56	18,1		
21850512	1850	5			*	*	*	*	*	*	12000	195	200	290	168	50	200	470	80	550	115	55	3/4	63	22		
22150512	2150	5			*	*	*	*	*	*	12000	195	200	290	168	50	200	530	80	610	115	55	3/4	70	22		



CILINDRI A SFERA
CYLINDERS BALL

 CODE	Corsa - Stroke - Course mm	N° Sfilate - N° Exten - N° Expar	SFILATE diametro in mm EXTENSIONS diameter in mm EXPANSION diamètre en mm						Portata - Capacity - Charge (100 bar in kg)	DIMENSIONE DEI CILINDRI mm DIMENSIONS OF CYLINDERS mm DIMENSIONS DES VÉRINS mm										Peso - Weight - Poids kg	Contenuto olio Lt - Capacity Lt - Capacité
			46	61	76	91	107	127		A	B	C	D	E	G	H	I	L	M		
20495230	495	2	*	*				3000	110	115	195	95	35	150	332	80	412	95	55	20	2
20595230	595	2	*	*				3000	110	115	195	95	35	150	380	80	460	95	55	22	2,3
20695230	695	2	*	*				3000	110	115	195	95	35	150	430	80	510	95	55	22	2,7
20500330	500	3	*	*				3000	110	115	195	95	35	142	252	70	322	112	45	15,5	1,6
20593330	593	3	*	*				3000	110	115	195	95	35	142	282	70	352	112	45	16,5	2
20683330	683	3	*	*				3000	110	115	195	95	35	142	312	70	382	110	45	18	2,2
20790330	790	3	*	*				3000	110	115	195	95	35	142	347	70	417	110	45	19,5	2,5
20893330	893	3	*	*				3000	110	115	195	95	35	142	382	70	452	110	45	21	2,8
20500350	500	3	*	*	*			5000	128	135	215	112	35	147	257	80	337	95	55	22	2,5
20593350	593	3	*	*	*			5000	128	135	215	112	35	147	287	80	367	95	55	24	2,8
20683350	683	3	*	*	*			5000	128	135	215	112	35	147	317	80	397	95	55	26	3,3
20785350	785	3	*	*	*			5000	128	135	215	112	35	152	352	80	432	95	55	29	3,8
20893350	893	3	*	*	*			5000	128	135	215	112	35	152	387	80	467	95	55	31	4,2
21043350	1043	3	*	*	*			5000	128	135	215	112	35	152	437	80	517	95	55	33	5
21283350	1283	3	*	*	*			5000	128	135	215	112	35	155	517	80	597	95	55	40	6
20500450	500	4	*	*	*	*		5000	128	135	215	112	35	130	190	70	260	112	45	18	2
20590450	590	4	*	*	*	*		5000	128	135	215	112	35	140	240	70	310	112	45	20,5	2,4
20640450	640	4	*	*	*	*		5000	128	135	215	112	35	140	260	70	330	112	45	21	2,7
20790450	790	4	*	*	*	*		5000	128	135	215	112	35	140	290	70	354	112	45	22	3,2
21060450	1060	4	*	*	*	*		5000	130	135	215	112	35	145	355	70	425	112	45	27	4,3
20690550	690	5	*	*	*	*	*	5000	144	150	230	124	40	150	235	70	305	112	45	23,5	3,5
20840550	840	5	*	*	*	*	*	5000	144	150	230	124	40	150	265	70	335	112	45	25	4,5
21040550	1040	5	*	*	*	*	*	5000	144	150	230	124	40	150	305	70	375	112	45	29	5
21190550	1190	5	*	*	*	*	*	5000	144	150	230	124	40	150	335	70	405	112	45	31	6
21490550	1490	5	*	*	*	*	*	5000	144	150	230	124	40	150	395	70	465	112	45	35	7,5
22140550	2140	5	*	*	*	*	*	5000	144	150	230	124	40	150	525	70	595	110	45	45	10,8
20830470	830	4	*	*	*	*	*	7000	144	150	230	124	40	157	302	80	382	95	55	30	5
20950470	950	4	*	*	*	*	*	7000	144	150	230	124	40	157	325	80	412	95	55	31,5	5,6
21050470	1050	4	*	*	*	*	*	7000	144	150	230	124	40	157	357	80	437	95	55	33,5	6,2
21190470	1190	4	*	*	*	*	*	7000	144	150	230	124	40	157	392	80	472	95	55	36	7
21290470	1290	4	*	*	*	*	*	7000	144	150	230	124	40	157	417	80	497	95	55	39	7,5
21510470	1510	4	*	*	*	*	*	7000	144	150	230	124	40	157	460	80	552	95	55	43	8,8
20980590	980	5	*	*	*	*	*	9000	172	175	265	152	45	165	300	80	380	95	55	40,5	7,5
21230590	1230	5	*	*	*	*	*	9000	172	175	265	152	45	165	350	80	430	95	55	56	9
21480590	1480	5	*	*	*	*	*	9000	172	175	265	152	45	165	400	80	480	95	55	53	11
21880590	1880	5	*	*	*	*	*	9000	172	175	265	152	45	165	480	80	560	95	55	61,5	13,5
22130590	2130	5	*	*	*	*	*	9000	172	175	265	152	45	165	530	80	610	95	55	67	15,5
22480590	2480	5	*	*	*	*	*	9000	172	175	265	152	45	165	600	80	680	95	55	75	18
21005650	1005	6	*	*	*	*	*	5000	172	175	265	152	45	155	260	80	340	112	45	36	6,5
21180650	1180	6	*	*	*	*	*	5000	172	175	265	152	45	155	290	80	370	112	45	39,5	7,1
21480650	1480	6	*	*	*	*	*	5000	172	175	265	152	45	155	340	80	420	112	45	45,5	8,9
21780650	1780	6	*	*	*	*	*	5000	172	175	265	152	45	155	390	80	470	112	45	51	11,2
22557650	2557	6	*	*	*	*	*	5000	172	175	265	152	45	155	520	80	600	110	45	61,5	16



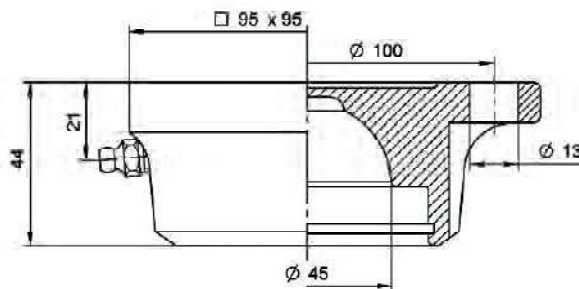
CHIOCCIOLA QUADRATA (SEDE SFERICA)
SQUARE JOINT (SPHERIC SEAT)

JONCTION CARRÉE (SPHÉRIQUE AUSSI)
VIERKANTIGE VERBINDUNG (KUGELFORMIGEM SITZ)

Art. 24140000

TIPO / TYPE / TYPE / TPY

Ø 45



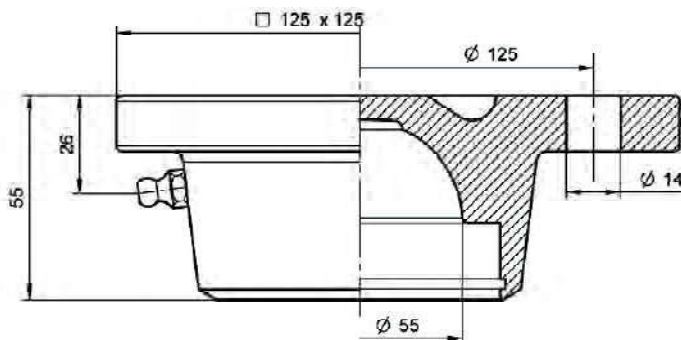
PORTATA MAX 11 Ton.
CHARGE MAX 11 Ton.
MAX CAPACITY 11 Ton.
MAX BALASTBARKEIT 11 Ton.

PESO - WEIGHT - POIDS - GEWICHT Kg. 1,8

Art. 29570000

TIPO / TYPE / TYPE / TPY

Ø 55



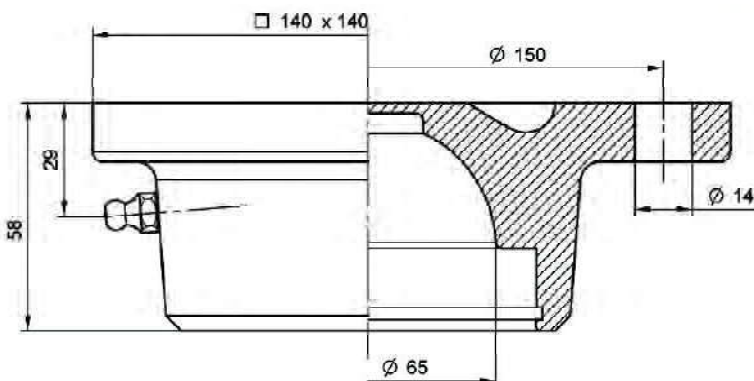
PORTATA MAX 15 Ton.
CHARGE MAX 15 Ton.
MAX CAPACITY 15 Ton.
MAX BALASTBARKEIT 15 Ton.

PESO - WEIGHT - POIDS - GEWICHT Kg. 2

Art. 27820000

TIPO / TYPE / TYPE / TPY

Ø 65



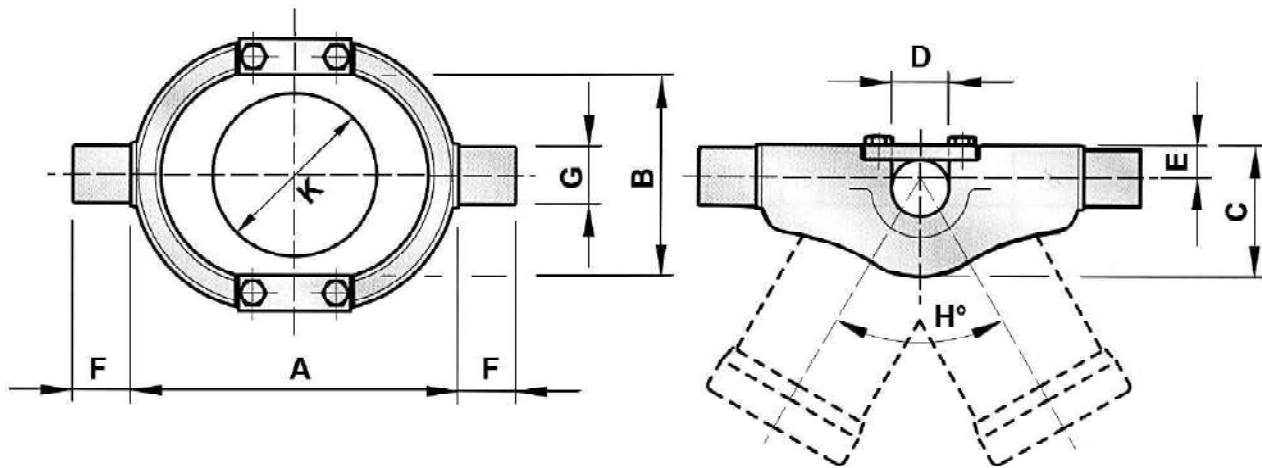
PORTATA MAX 23 Ton.
CHARGE MAX 23 Ton.
MAX CAPACITY 23 Ton.
MAX BALASTBARKEIT 23 Ton.

PESO - WEIGHT - POIDS - GEWICHT Kg. 3

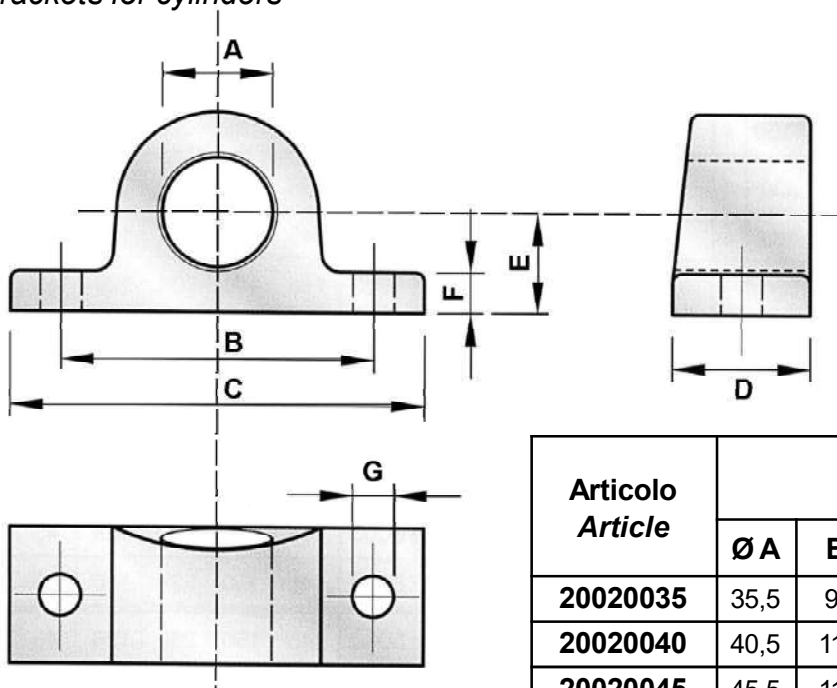


Culle per ancoraggio martinetti
Cradles for cylinders

Articolo Article	Dimensione Dimensions									kg	Trattamento Treatment
	A	B	C	ØD	E	F	ØG	H	ØK		
20010001	200	120	77	35	25	35	35	65°	95	5	Grezzo Raw
20010002	230	135	97	35	28	40	40	75°	112	9	Verniciato Painted
20010003/V	230	155	107	40	31	40	40	60°	124	10,5	Verniciato Painted
20010004	280	185	125	45	40	45	50	60°	150	15	Grezzo Raw



Supporti per cilindri
Brackets for cylinders



Articolo Article	Dimensioni Dimensions							kg
	Ø A	B	C	D	E	F	Ø G	
20020035	35,5	95	130	45	30	12	13	1
20020040	40,5	110	140	45	33	15	15	1,2
20020045	45,5	110	140	45	33	15	15	1,2
20020050	50,5	120	155	50	37	17	15	1,5

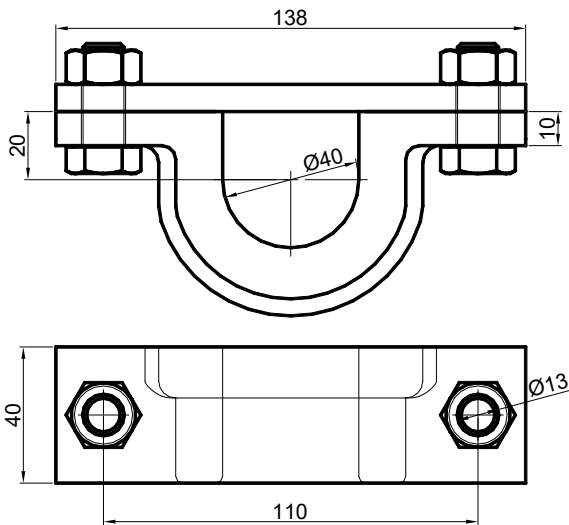
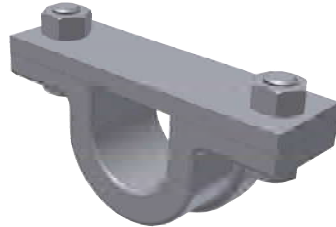


Supporti Ø40 per cilindri, forniti di relativa bulloneria
Brackets Ø40 for cylinders, with appropriate bolts and nuts
Art. 20020140/1

1,200 kg



16 Pcs.

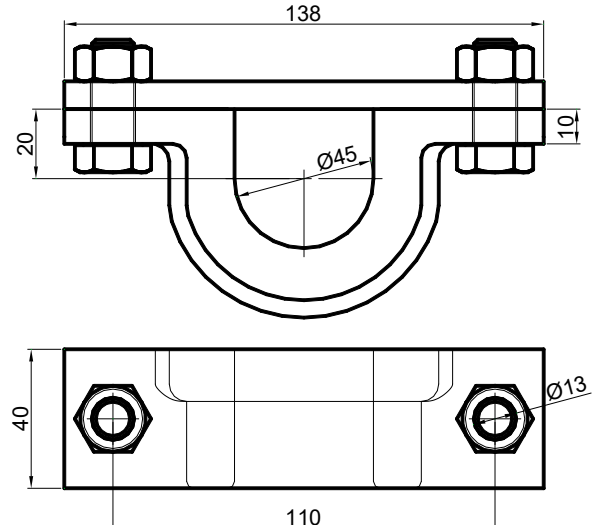
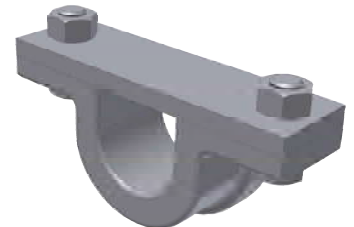


Supporti Ø45 per cilindri, forniti di relativa bulloneria
Brackets Ø45 for cylinders, with appropriate bolts and nuts
Art. 20020145/1

1,000 kg



16 Pcs.

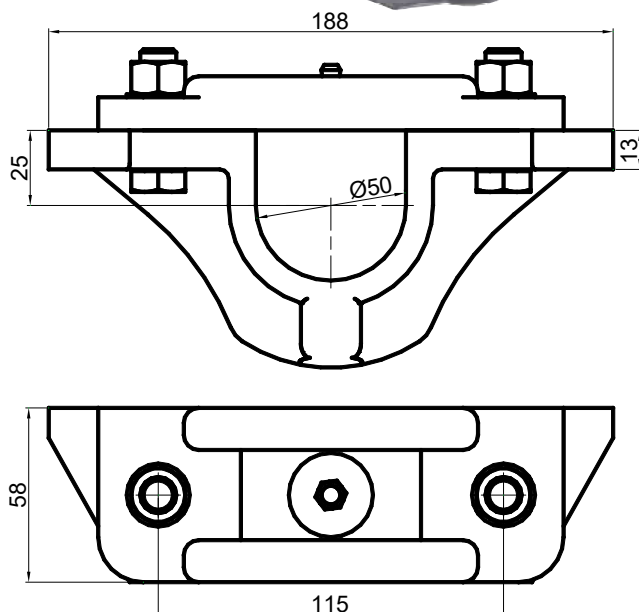


Supporti Ø50 per cilindri, forniti di relativa bulloneria
Brackets Ø50 for cylinders, with appropriate bolts and nuts
Art. 20020150/1

2,400 kg



8 Pcs.

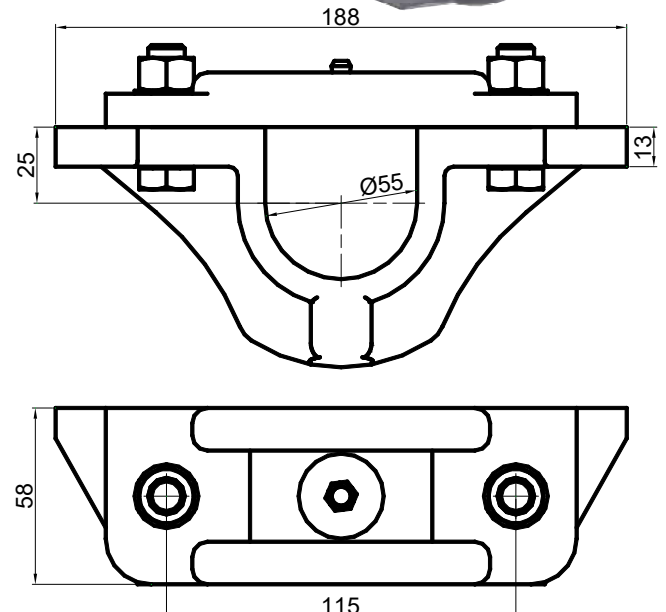


Supporti Ø55 per cilindri, forniti di relativa bulloneria
Brackets Ø55 for cylinders, with appropriate bolts and nuts
Art. 20020151/1

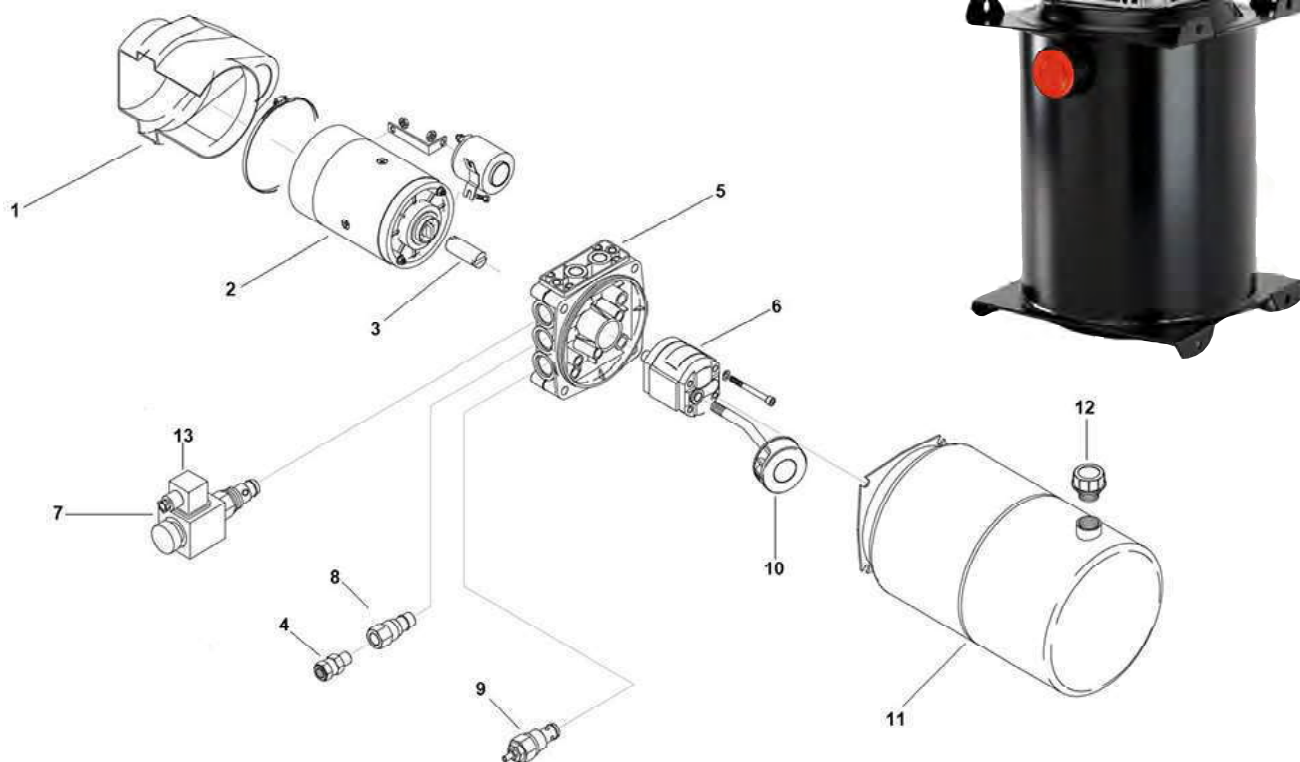
2,300 kg



8 Pcs.






CENTRALINA C.C PER RIBALTABILI
D.C POWER PACK FOR DUMPERS

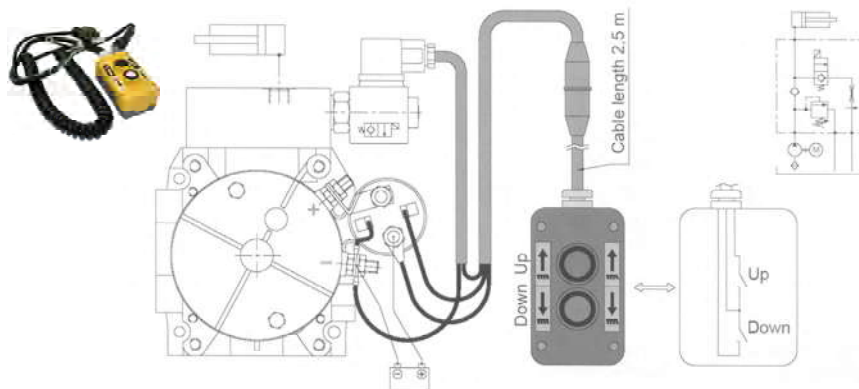
 Centralina completa da 12 Volt
12 Volt Kit Power pack
Art.14600012


Posizione <i>Position</i>	Descrizione <i>Description</i>	Articolo <i>Article</i>
1	Carter motore / <i>Motor carter</i>	14600050
2	Motore 12V 1600W relè 200A + termostato <i>Starter 12V 1600W relay 200A + thermostat</i>	14600051
3	E31 trascinamento per motore <i>E31 motor drive</i>	14600052
4	3153 1/8" Bulbo olio / <i>Oil Bulb</i>	14600053
5	Kit corpo HY10K3PO-01 3/8" <i>Kit central manifold HY10K3PO-01 3/8"</i>	14600054
6	Pompa ad ingr. PSA1/3.2 Sx <i>Pump PSA1/3.2 Sx</i>	14600055
7	Valvola.N.C. W5-08Z-01-C-N12DG + Filtrino	14600056
8	Valvola porta tubo 1/8" / <i>Hose holder valve</i>	14600057
9	Valvola.Max PCD-08222-R-N-20-00	14600058
10	PP-59-L89 Serbatoio / <i>Tank LCE-K5-5-10-15LT</i>	14600059
11	Serbatoio / <i>Tank LT12</i>	14600060
12	Tappo serbatoio / <i>Tank cap 3/4"</i>	14600061
13	Connettore / <i>Connector</i>	14600062

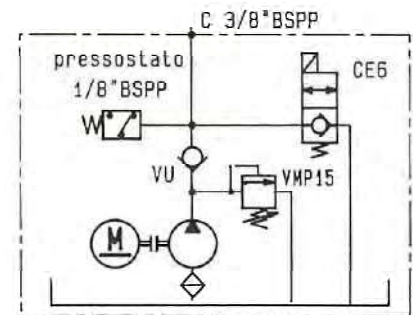


		
<p>Fine corsa in tiro <i>Stop cylinder stroke pull-type</i></p>	<p>Pulsantiera elettrica con spia <i>Electric panel control</i></p>	<p>Tubo idraulico 3/8" L=1000 Attacco curvo90 - 1/2" dritto 3/8" <i>Hydraulic pipe 3/8" L=1000 Pipe connenction90 - 1/2" - straight 3/8"</i></p>
<p>Art. 14600002</p>	<p>Art. 14600001</p>	<p>Art. 14121000</p>

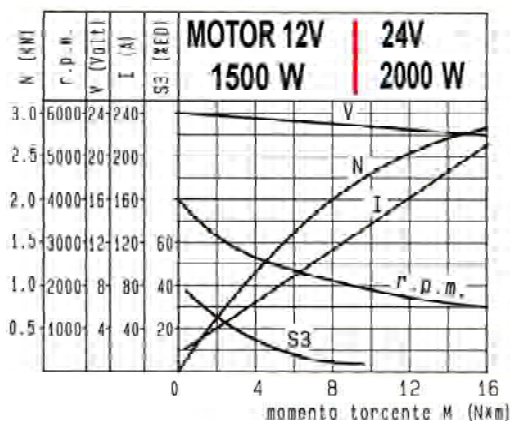
Controllo a distanza
Remote controle
Art. 14600006



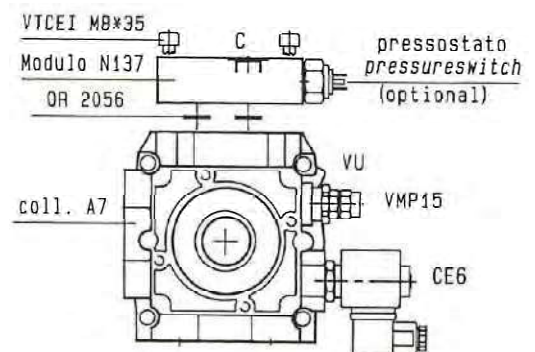
Schema idraulico
Hydraulic circuit



CURVA CARATTERISTICA MOTORI
MOTORS DIAGRAMS



COLLETTORE CENTRALE
MANIFLOND CENTRAL





Art.14600012 12 Volt kit power pack Tank capacity 12 lt.	Art.14600001 Electric panel control	Art.14600002 Stop cylinder stroke pull-type	Art.21050551 Cylinder Course 1050 Exten 5 Capacity 5000 kg	Art.14121000 Hydraulic pipe 3/8"
Art. 14000001				

Art.14600012 12 Volt kit power pack Tank capacity 12 lt.	Art.14600001 Electric panel control	Art.14600002 Stop cylinder stroke pull-type	Art.21050551 Cylinder Course 1050 Exten 5 Capacity 5000 kg	Art.14121000 Hydraulic pipe 3/8"
Art.20020040 Brackets Ø40				
Art. 14000002				

Art.14600012 12 Volt kit power pack Tank capacity 12 lt.	Art.14600001 Electric panel control	Art.14600002 Stop cylinder stroke pull-type	Art.21050551 Cylinder Course 1050 Exten 5 Capacity 5000 kg	Art.14121000 Hydraulic pipe 3/8"
Art.20020140/1 Brackets Ø40 with plate	Art.20010003/V Cradles painted			
Art. 14000003				

Art.14600012 12 Volt kit power pack Tank capacity 12 lt.	Art.14600001 Electric panel control	Art.14600002 Stop cylinder stroke pull-type	Art.21050551 Cylinder Course 1050 Exten 5 Capacity 5000 kg	Art.14121000 Hydraulic pipe 3/8"
Art.20020140/1 Brackets Ø40 with plate	Art.20010003/V Cradles painted		Art.14600006 Remote control	
Art. 14000004				

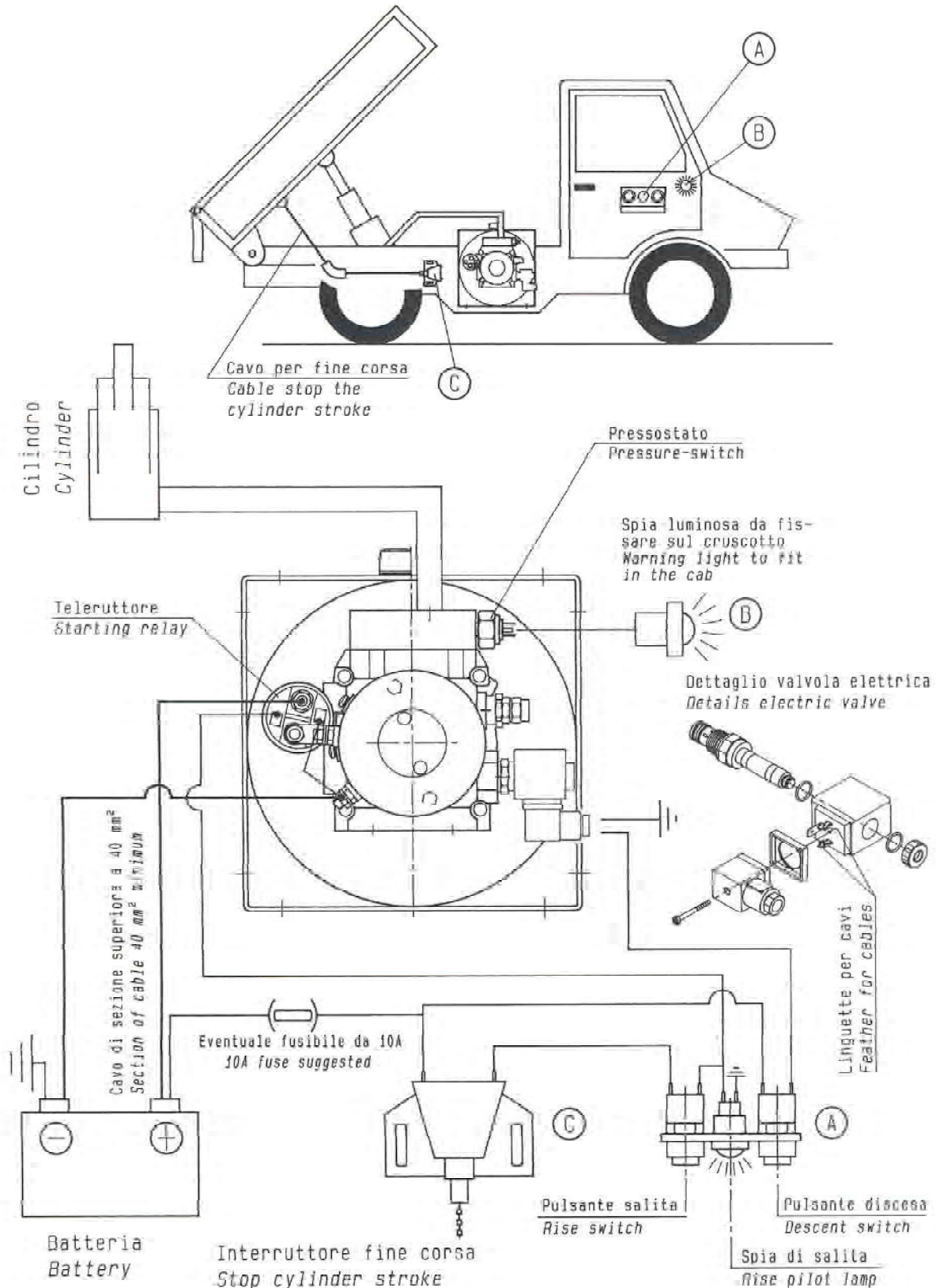
* Ogni equipaggiamento verrà confezionato all'interno di una scatola di dimensioni 30x60 H=60

* Each equipment will be packed inside one box of sizes 30x60 H=60.



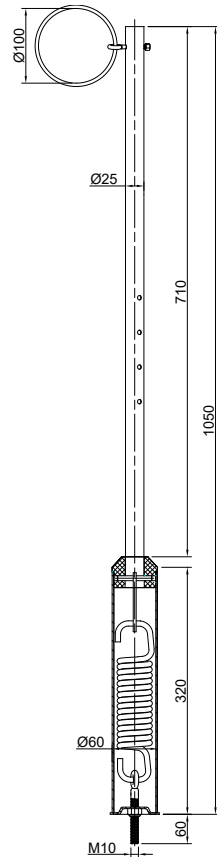


SCHEMA DI COLLEGAMENTO CENTRALINA CON SCARICO A COMANDO ELETTRICO
INSTALLING SCHEME FOR POWER PACK WITH UNLOADING ELECTRIC VALVE

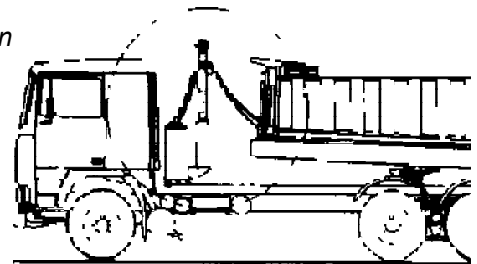




Asta porta tubi
Connecting bar for pipe
Art. 19000514
2,600 kg

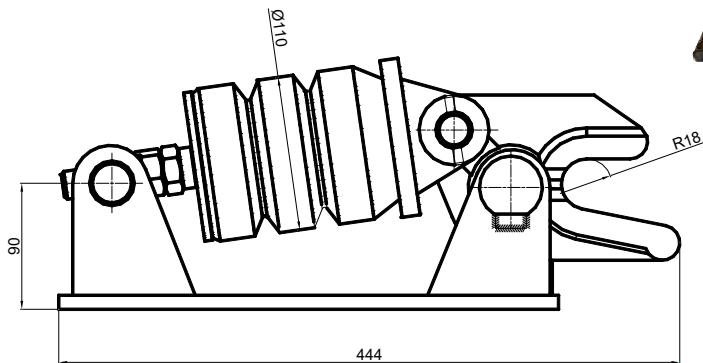
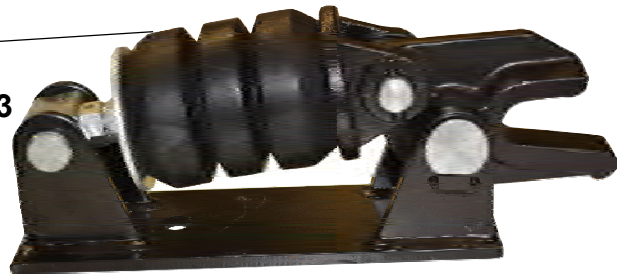


Utilizzo
Utilization

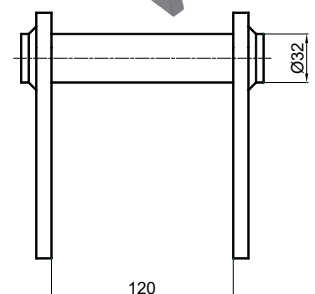
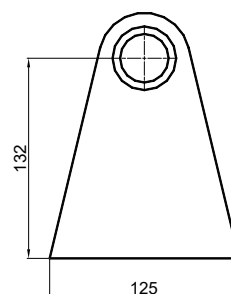
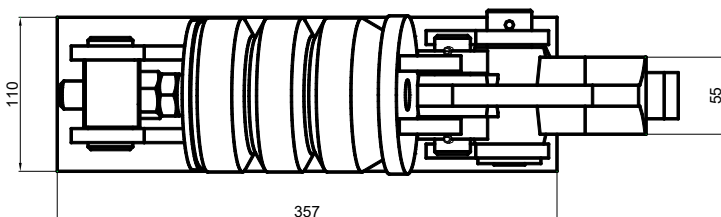


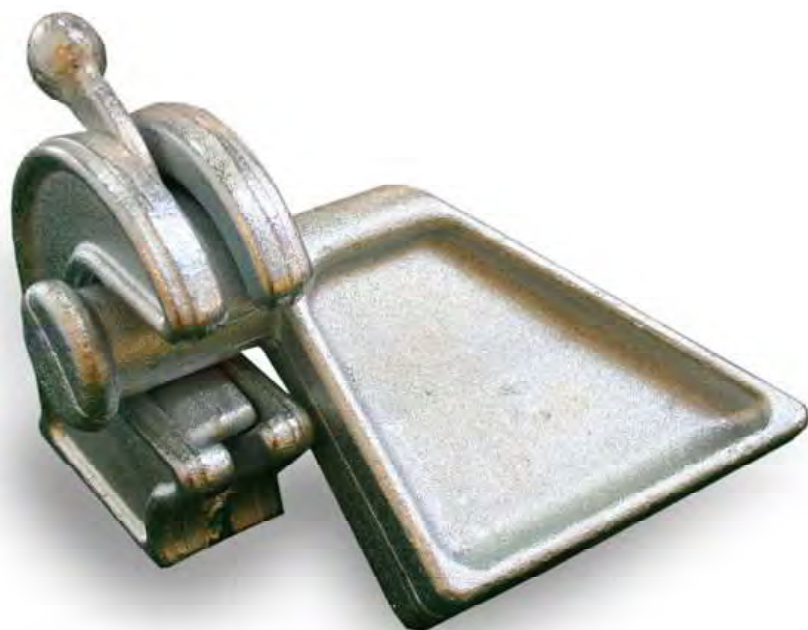
Fissggio cassone pesante
Body fix
Art. 25600851
14,000 kg

Solo Gomma
Only rubber
Art. 25600853



Supporto per bodyfix
Support for bodyfix
Art. 25600852
3,030 kg





- Particolati per porte a serranda
- Chiusure per sponde
- Catenacci a molla + pista

- *Roll-up doors fittings*
- *Sideboards locks*
- *Toogle fastner + sheet*



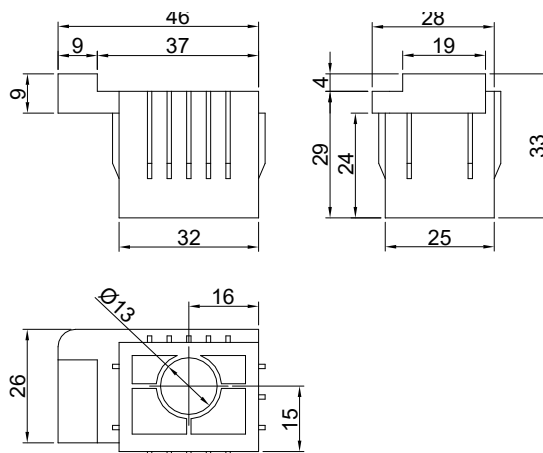
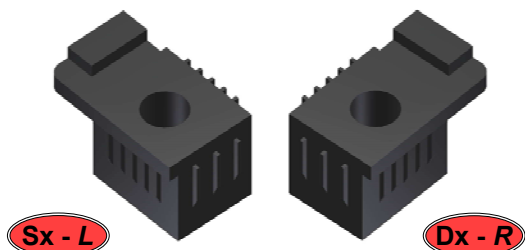
Boccola quadra in PVC nero per cerniera in alluminio

Black PVC square bushing for aluminium hinge

Art. 11302430 **Dx - R** 0,022 kg

Art. 11302431 **Sx - L**

* Solo su ordinazione
* Only by order



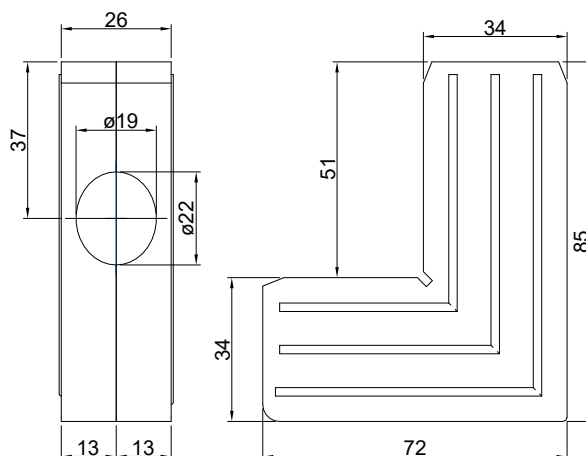
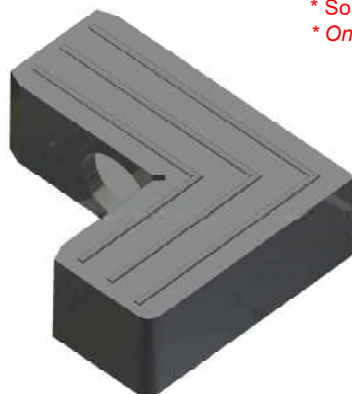
Squadra ad angolo in PVC nero

PVC black Corner

Art. 11306625

0,075 kg

* Solo su ordinazione
* Only by order



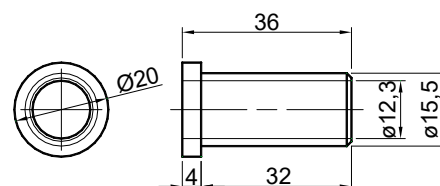
Boccola in nylon

Nylon bushes

Art. 11302531

0,004 kg

* Solo su ordinazione
* Only by order



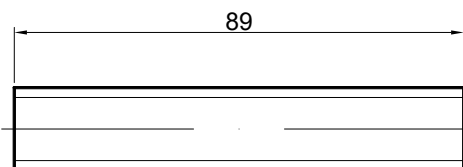
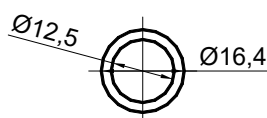
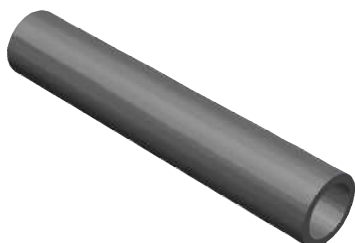
Boccola in nylon nero a tubo

Black nylon bushes

Art. 11302515

0,009 kg

* Solo su ordinazione
* Only by order





Boccola in nylon nero con dentino

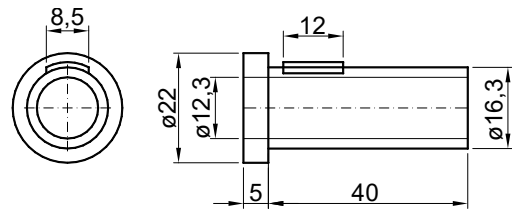
Black nylon bushes with tooth

Art. 11302435

0,006 kg

* Solo su ordinazione

* Only by order



Cerniere per porte posteriori

Door side hinge

Art. 11302530

Grezzo - Raw

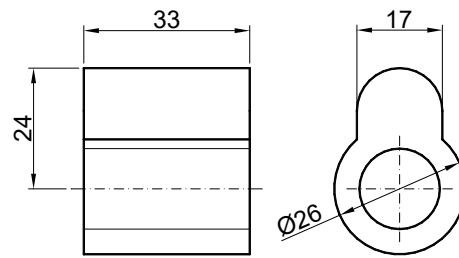
Art. 11302532

Inox / Stainless steel

0,120 kg

* Solo su ordinazione

* Only by order



Scontrino forato zincato per porte posteriori

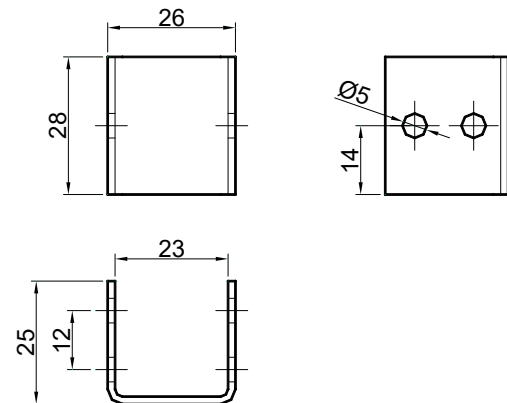
Zinc plated striker plate with holes for back door

Art. 11002452

0,020 kg

* Solo su ordinazione

* Only by order



Guida tubo Ø18

Guide pipe Ø18

Art. 11309044

Dacromet - Dacromet

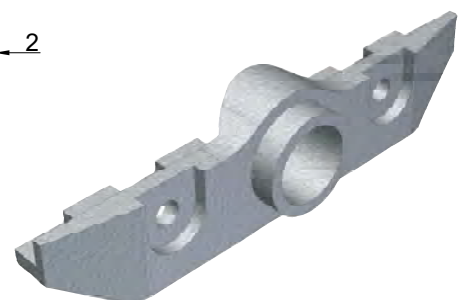
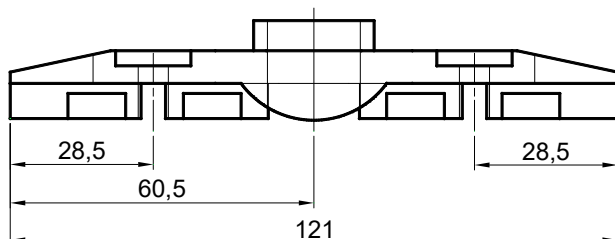
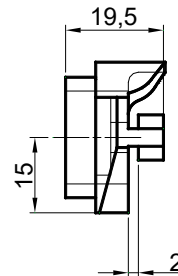
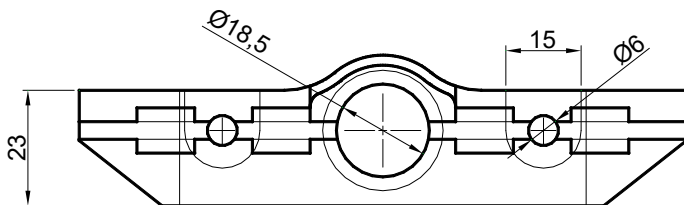
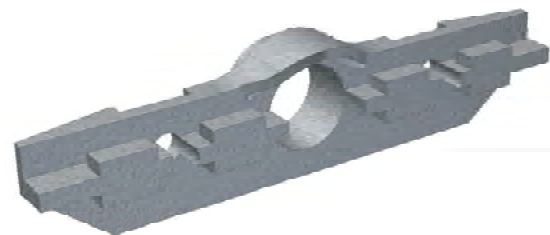
Art. 11309042

Inox - Stainless steel

0,125 kg

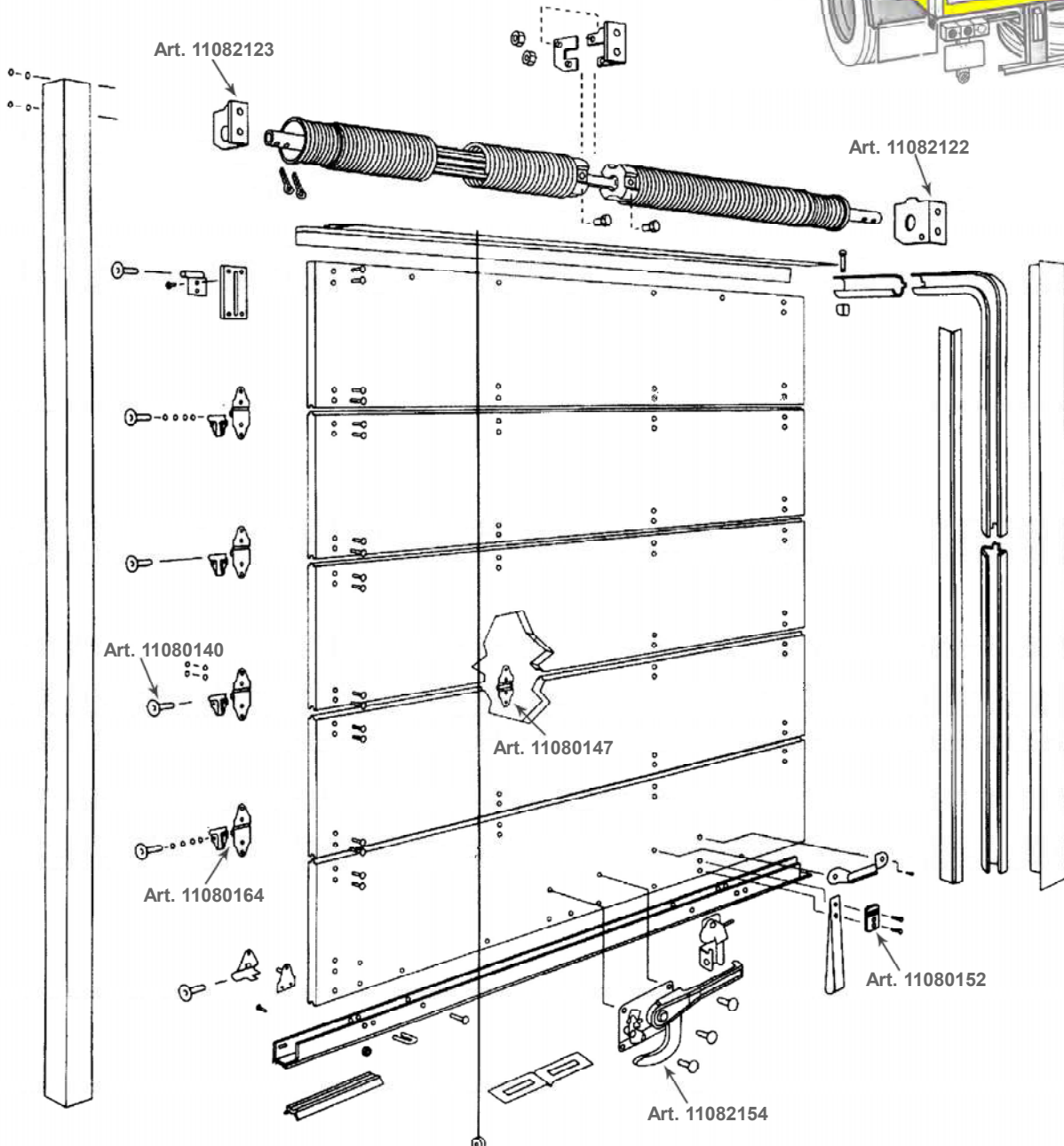
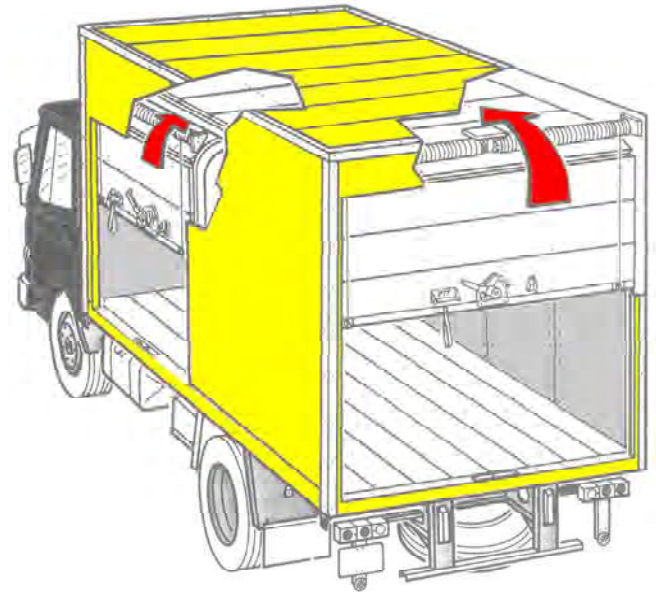
* Solo su ordinazione

* Only by order





Porte posteriori a serranda
Roll-up back doors

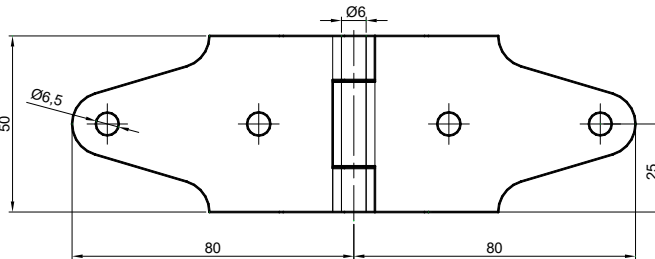
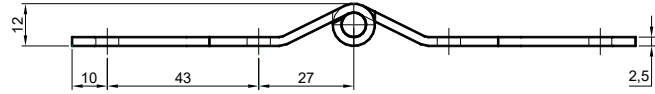




Cerniera centrale zincata
Zinc plated central hinge

Art. 11080147

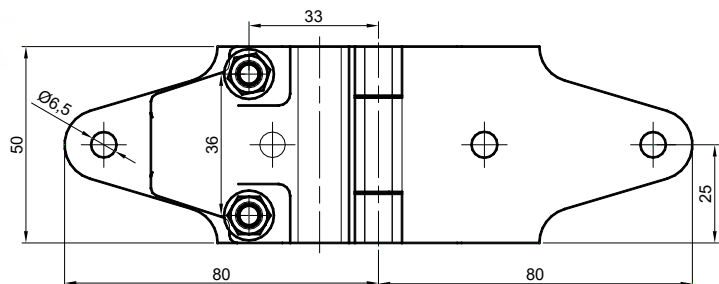
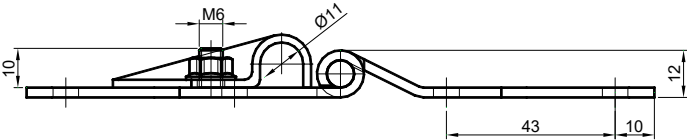
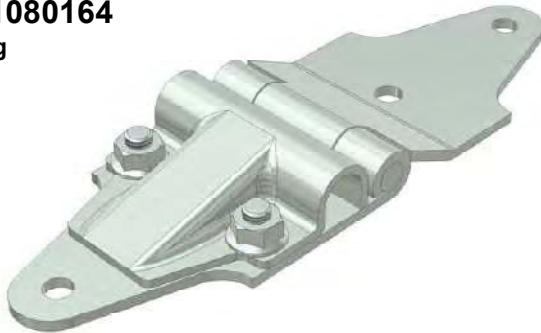
0,137 kg



Cerniera laterale zincata con coperchio ruota
Zinc plated end hinge with roller cover

Art. 11080164

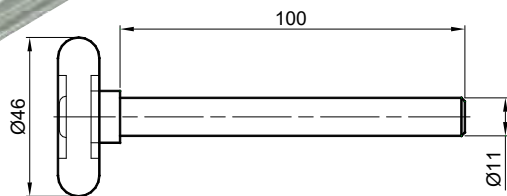
0,200 kg



Ruota $\varnothing 46$ zincata
Zinc plated $\varnothing 46$ roller

Art. 11080140

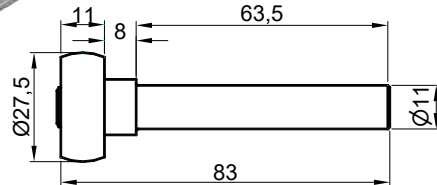
0,120 kg



Ruota $\varnothing 28$ zincata
Zinc plated $\varnothing 28$ roller

Art. 11080128

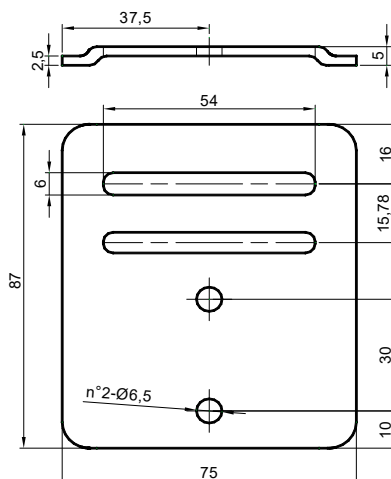
0,100 kg



Fermo cinghia zincato
Zinc plated stopper belt

Art. 11080152

0,130 kg

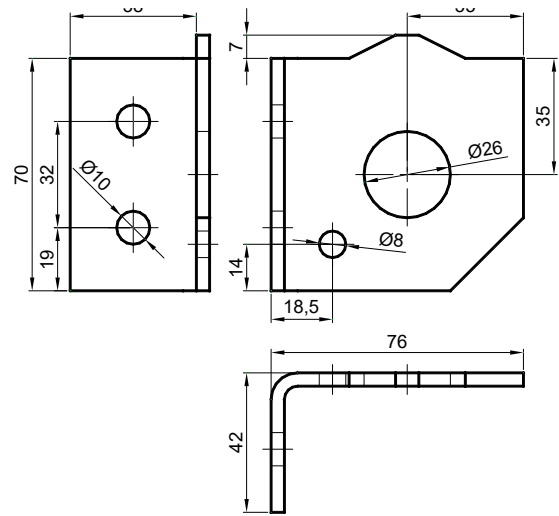




Supporto zincato destro
Zinc plated right support

Art. 11082122

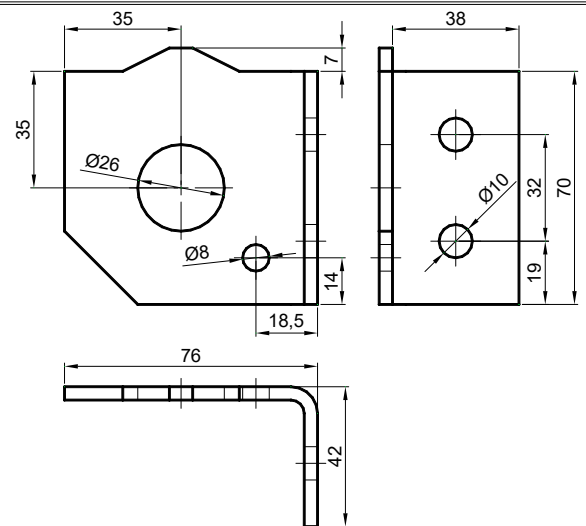
0,200 kg



Supporto zincato sinistro
Zinc plated left support

Art. 11082123

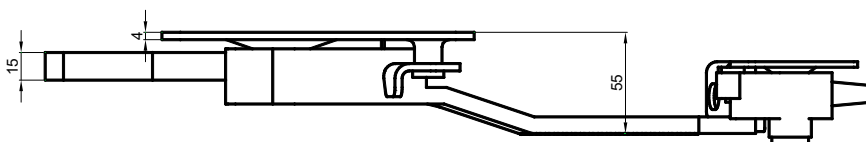
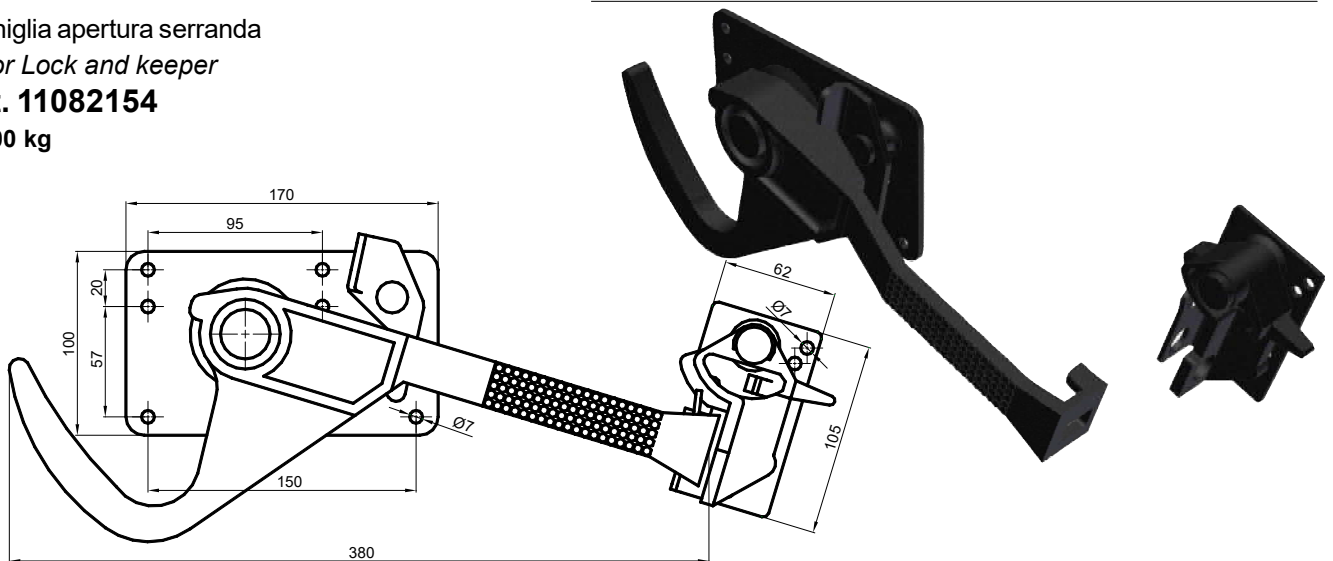
0,200 kg



Maniglia apertura serranda
Door Lock and keeper

Art. 11082154

3,300 kg

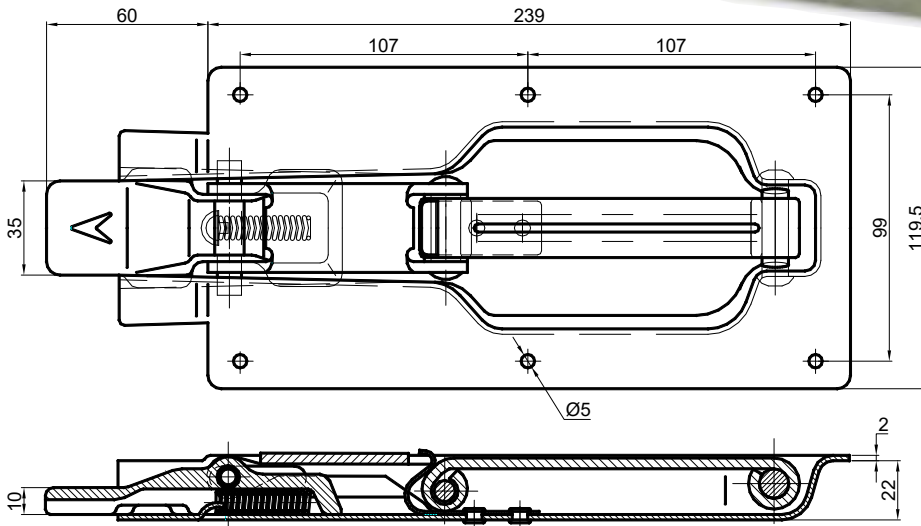




Chiusura incassata zincata
Zinc plated eccentric latch lock

Art. 10182100

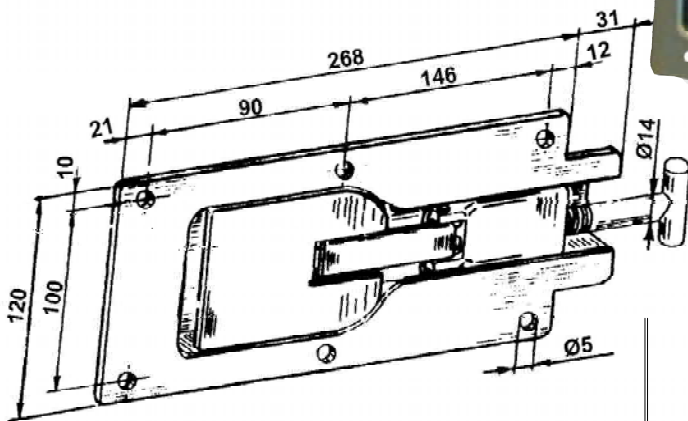
1,050 kg



Chiusura incassata a T zincata
Zinc plated eccentric flush lock

Art. 10189100

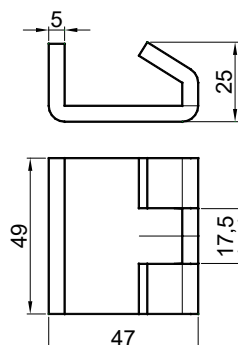
1,190 kg



Scontrino zincato da saldare
Galvanized keeper to weld

Art. 10194100

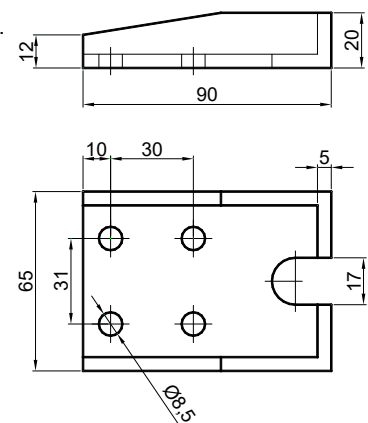
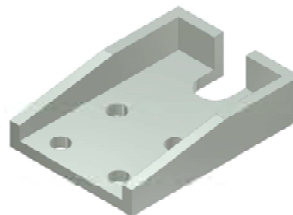
0,190 kg



Scontrino zincato da avvitare
Galvanized keeper to screw

Art. 10196100

0,310 kg

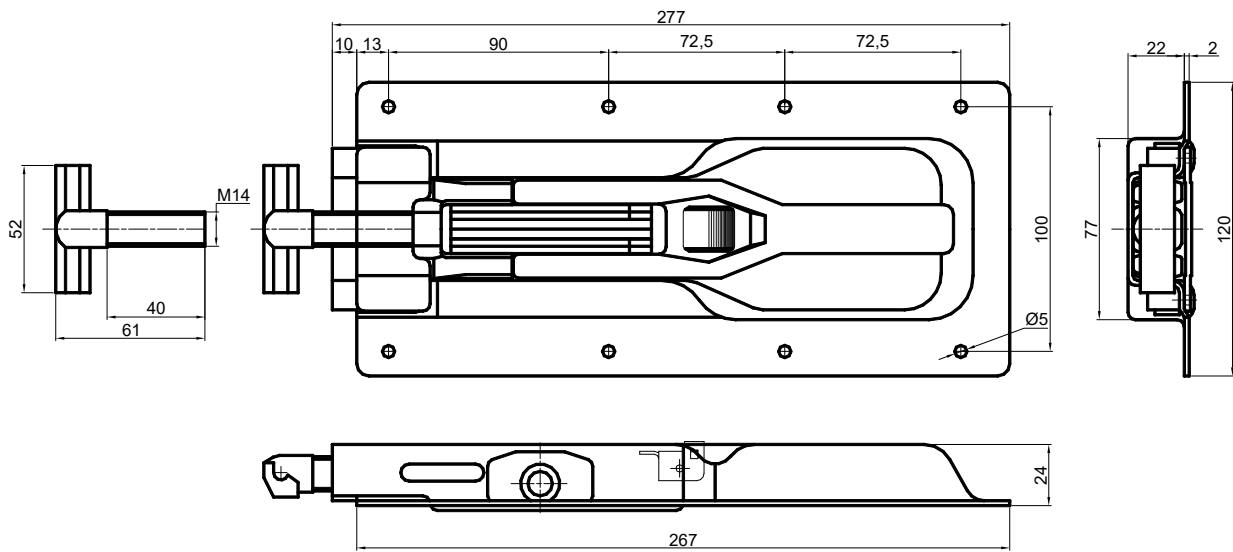
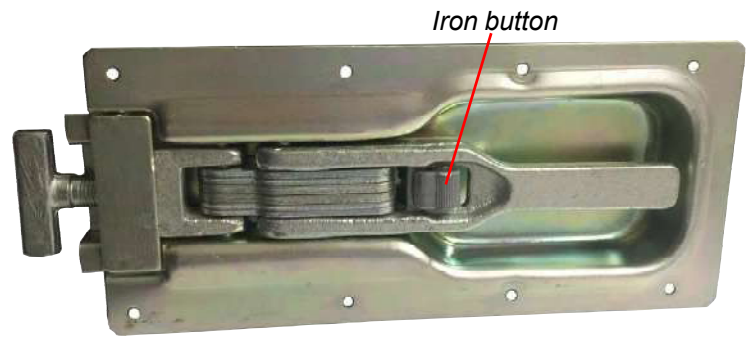




Chiusura incassata a T zincata
Zinc plated T recessed lock

Art. 11068100

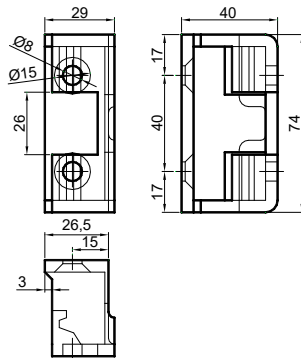
1,600 kg



Scontrino ad avvitare

Keeper to screw

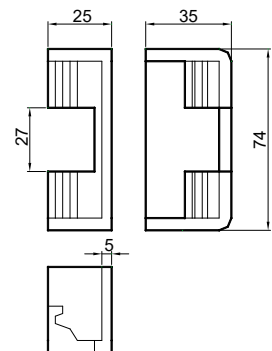
Art. 11068171 0,250 kg



Scontrino a saldare

Raw keeper to weld

Art. 11068172 0,180 kg





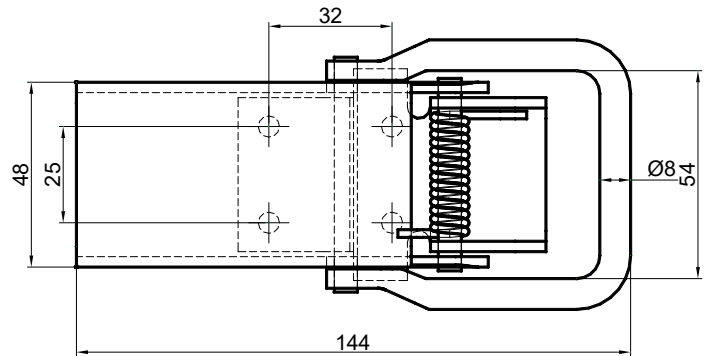
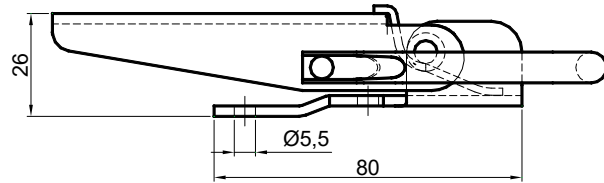
Chiusura a laccio leggera

Light weight lock

Art. 10352110 Zincata - Zinc plated

Art. 10352210 Inox - Stainless steel

0,340 kg



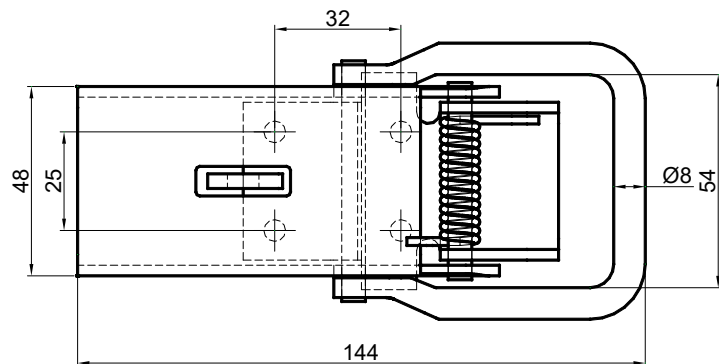
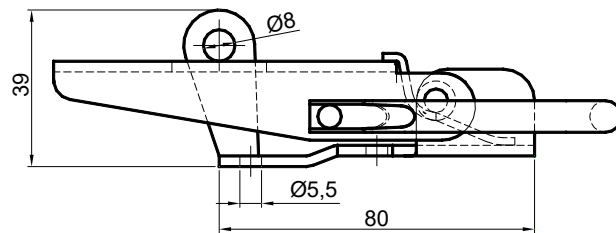
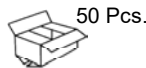
Chiusura a laccio leggera con porta lucchetto

Light weight lock with padlock side

Art. 10352310 Zincata - Zinc plated

Art. 10352410 Inox - Stainless steel

0,350 kg

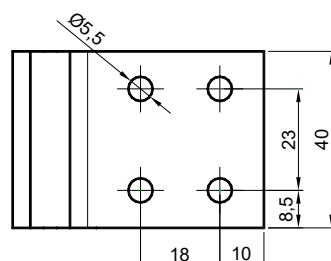
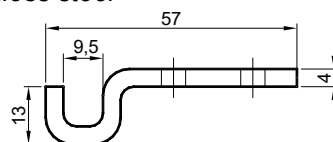


Scontrino - Keeper

Art. 10354110 Zincata - Zinc plated

Art. 10354210 Inox - Stainless steel

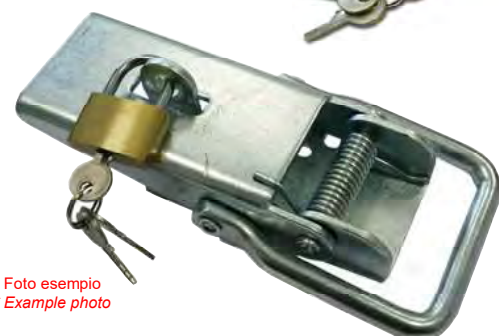
0,070 kg



Solo Lucchetto con chiave per chiusura

Only lock with key for lock

Art. 50960102



* Foto esempio
* Example photo

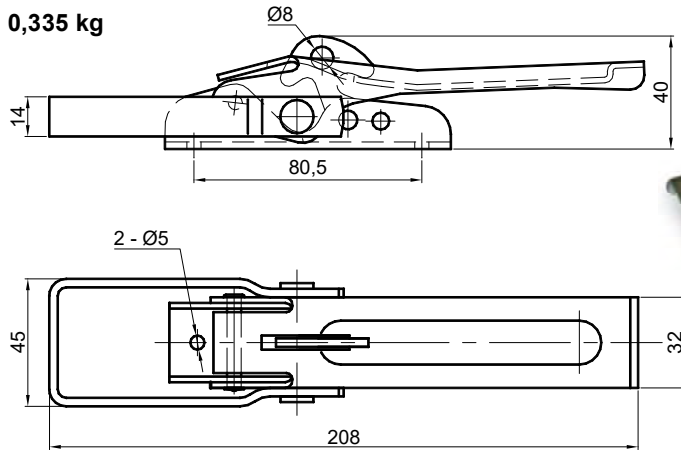


Chiusura a laccio media zincata

Zinc plated medium lock

Art. 10130831

0,335 kg

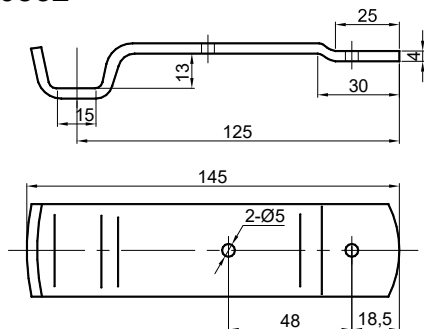


Scontrino zincato per chiusura media

Zinc plated medium Keeper

Art. 10130832

0,160 kg



Solo Lucchetto con chiave per chiusura

Only lock with key for lock

Art. 50960102

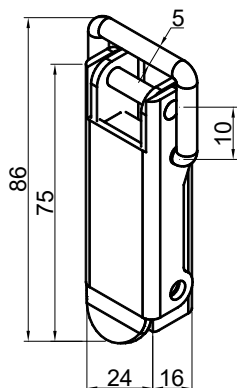
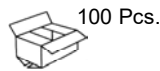


Chiusura a laccio zincata

Zinc plated toggle fastner

Art. 10960110

0,150 kg

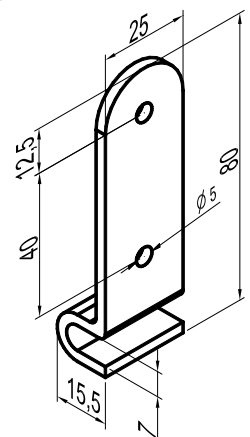


Gancio per chiusura

Zinc plated keeper

Art. 10960120

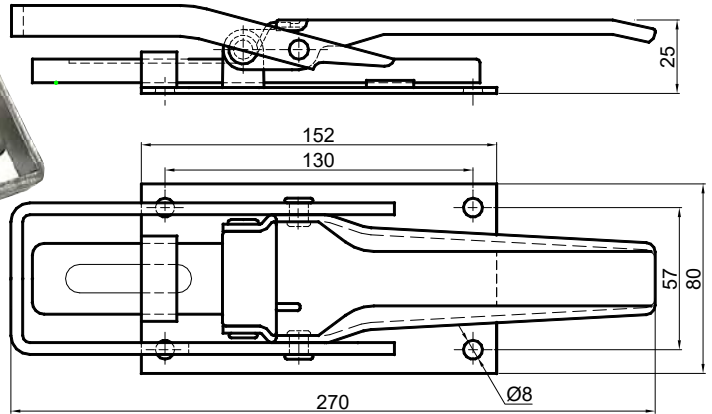
0,060 kg





Chiusura TICO zincata
Zinc plated TICO lock
Art. 10170110

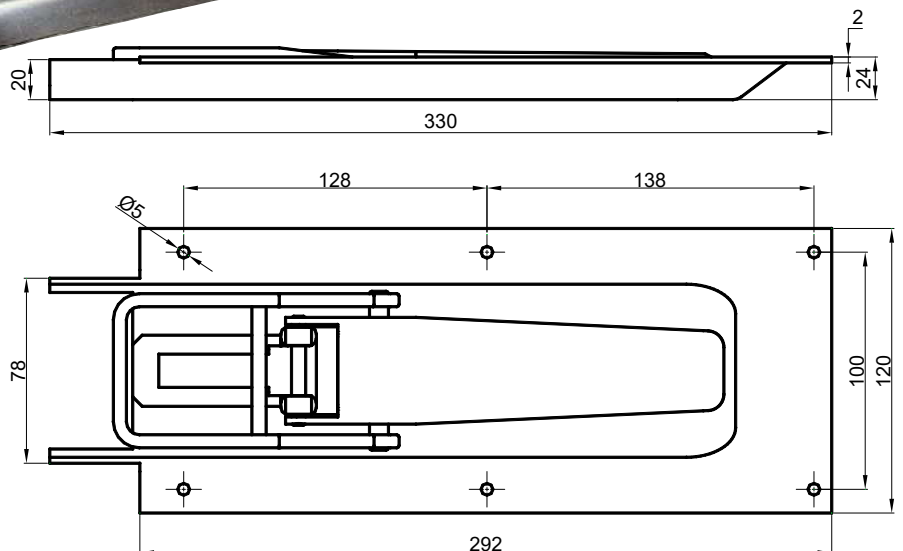
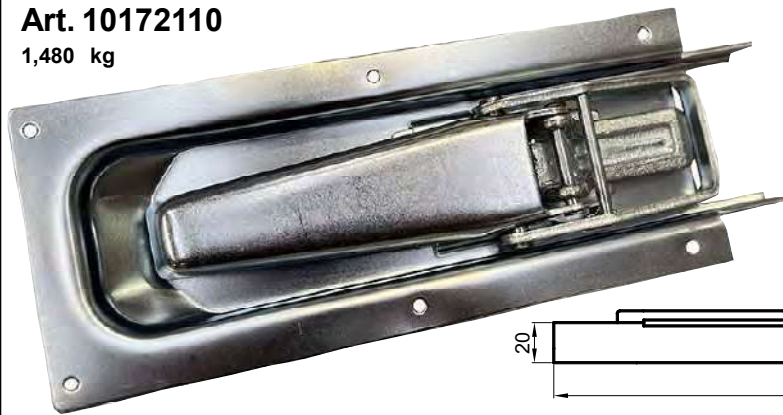
1,040 kg



Chiusura incassata zincata TICO
Zinc plated recessed TICO lock

Art. 10172110

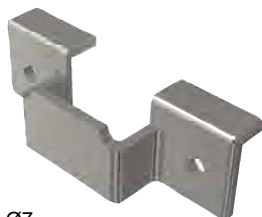
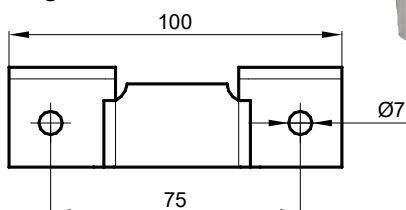
1,480 kg



Scontrino zincato da avvitare
Zinc plated keeper to screw

Art. 10171110

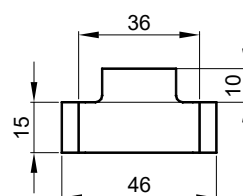
0,100 kg



Scontrino zincato da saldare
Galvanized keeper to weld

Art. 10171210

0,050 kg



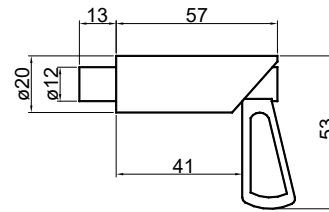


Catenaccio a molla zincato

Zinc plated toogle fastner

Art. 10950110

0,150 kg

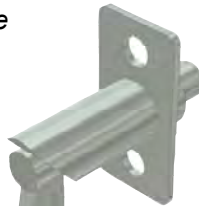


Catenaccio a molla zincato con piastra verticale

Zinc plated toogle fastner with vertical plate

Art. 10951110

0,180 kg

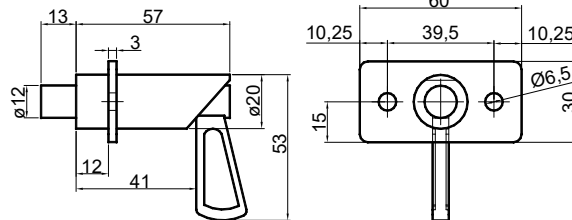
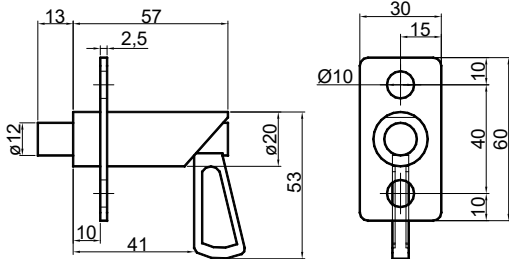
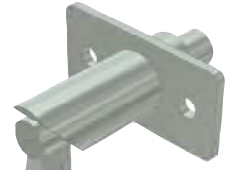


Catenaccio a molla zincato con piastra orizzontale

Zinc plated toogle fastner with horizontal plate

Art. 10952110

0,180 kg

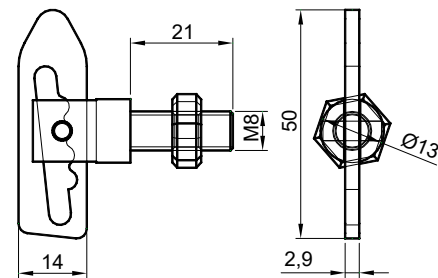
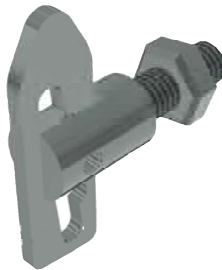


Catenaccio antiluce M8x21 zincato

Zinc plated M8x21 antiluce lock

Art. 10955110

0,095 kg

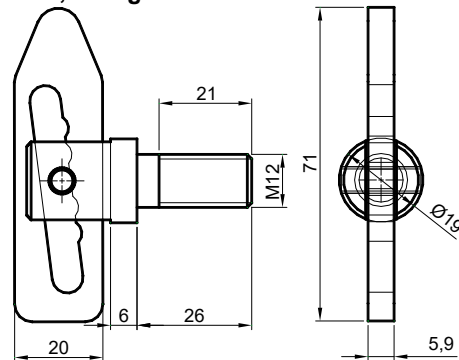
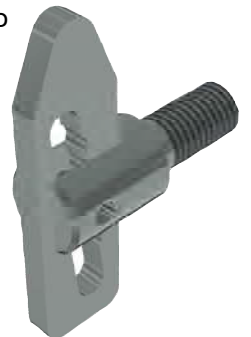


Catenaccio antiluce M12x21 zincato

Zinc plated M12x21 antiluce lock

Art. 10954110

0,095 kg

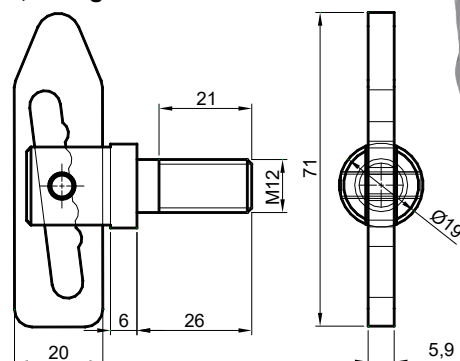
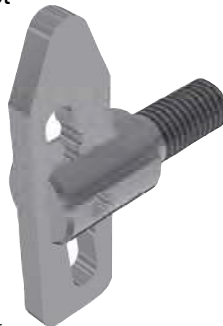


Catenaccio antiluce M12x21 Dacromet

Dacromet M12x21 antiluce lock

Art. 10954310

0,095 kg

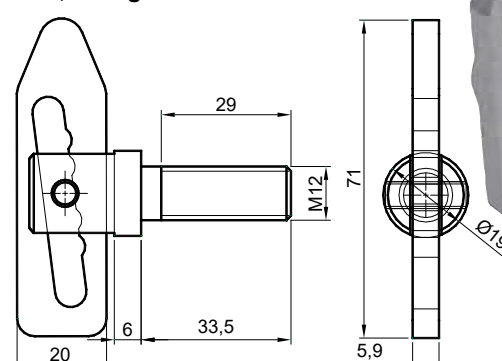
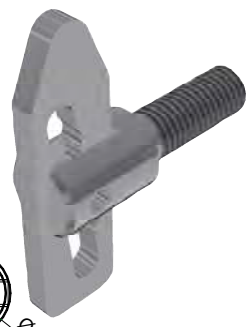


Catenaccio antiluce M12x29 Dacromet

Dacromet M12x29 antiluce lock

Art. 10956310

0,100 kg





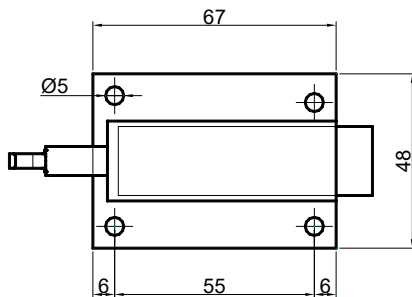
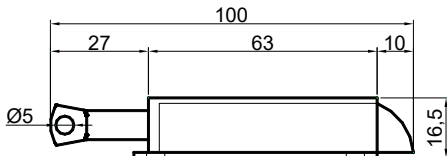
Perno a molla leggero zincato

Zinc plated light slam bolt

Art. 20128630 0,180 kg



100 Pcs.



Serratura zincata

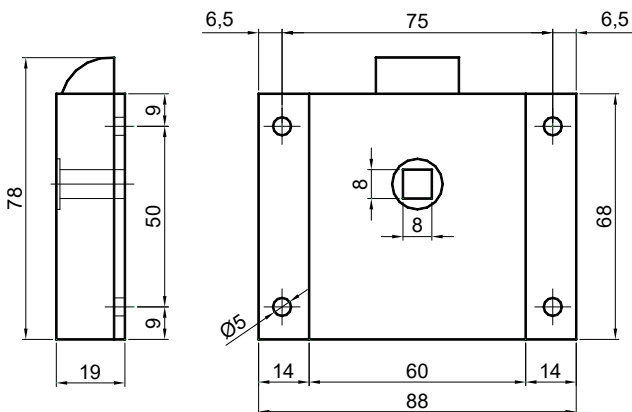
Zinc plated lock

Art. 10570500

0,250 kg

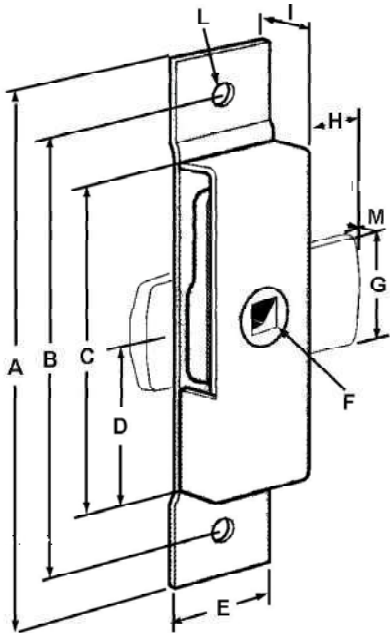


50 Pcs.





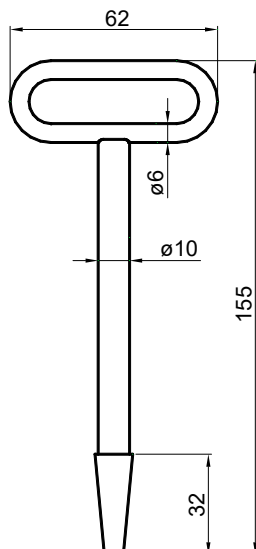
Tavellini
Keys slam bolt



Articolo Article	Descrizione Description	A	B	C	D	E	F	G	H	I	L	M	Peso Weight
10158110	Leggero Zincato Zinc plated Light	106	85	66	29	19	8x8	17	15	10	Ø5	5	0,075
10158200	Leggero Vern.Nero Black painted Light												
10160110	Medio zincato Zinc plated Medium	115	95	71	33	22	8x8	21	15	11	Ø5	5,5	0,110
10160200	Medio Vern.Nero Black paint.Medium												
10160210	Medio Inox Stainless Medium												
10162110	Pesante Zincato Zinc plated Heavy	125	102	77	37	28	8x8	25	18	12	Ø6	5,5	0,175
10162200	Pesante Vern.Nero Black paint.Heavy												

Chiave quadrata per tavellino zincata
Zinc plated square keys
Art. 10164110 0,070 kg

200 Pcs.





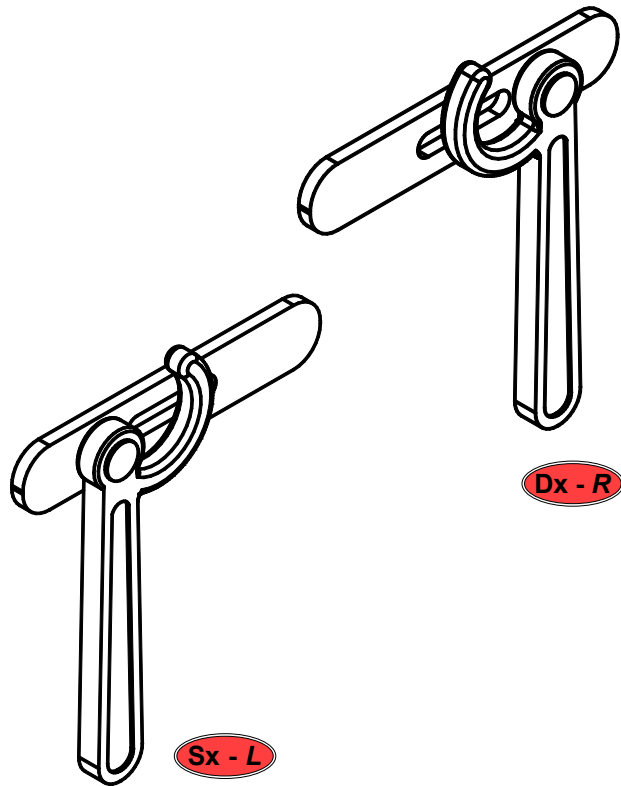
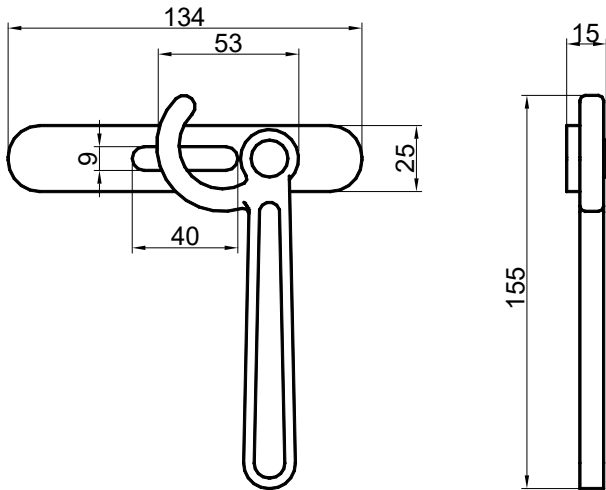
Aggancio catena esterno zincato con piastrina

Zinc plated handle with plate

Art. 10330050/R

Art. 10330050/L

0,250 kg



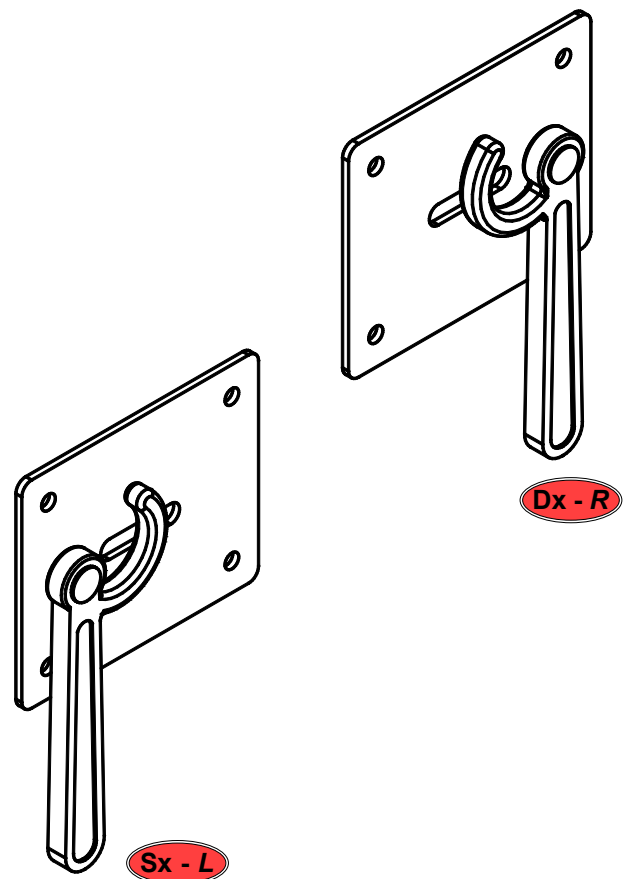
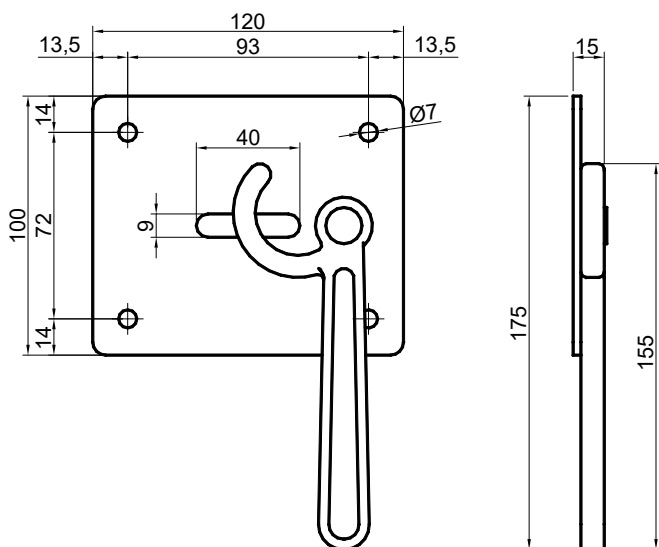
Aggancio catena esterno zincato con piastra

Zinc plated handle with plate

Art. 10330051/R

Art. 10330051/L

0,410 kg



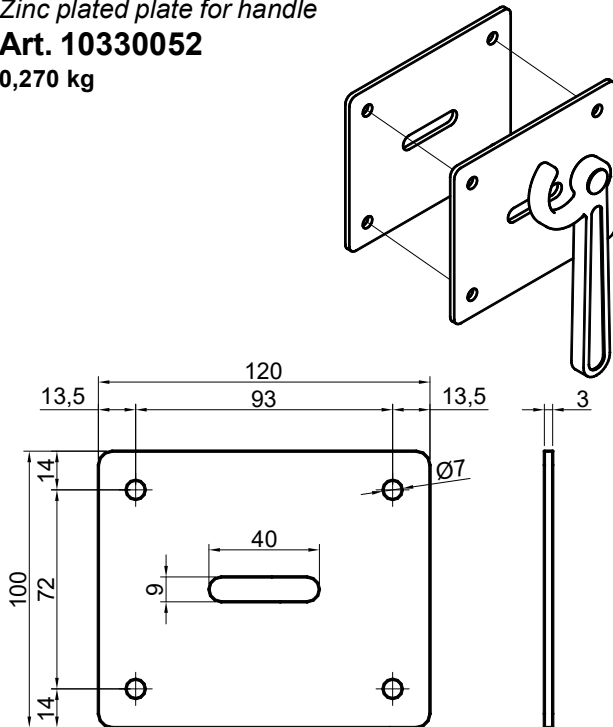


Piastra per ancoraggio catena zincata

Zinc plated plate for handle

Art. 10330052

0,270 kg



Maniglia zincata per gancio

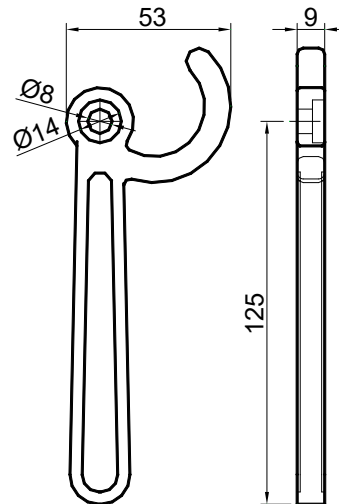
Zinc plated handle

Art. 10330053/R

Art. 10330053/L

0,150 kg

Dx - R

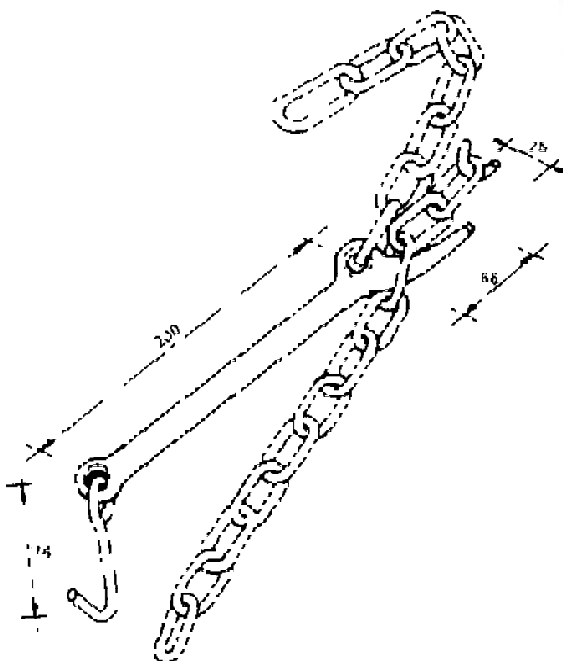


Tendicatena completo zincato

Zinc plated axe chain

Art. 10330058

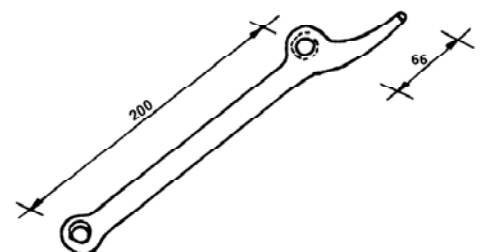
2,950 kg



Asta per tendicatena zincato

Zinc plated axe for chain

Art. 10332058 0,290 kg



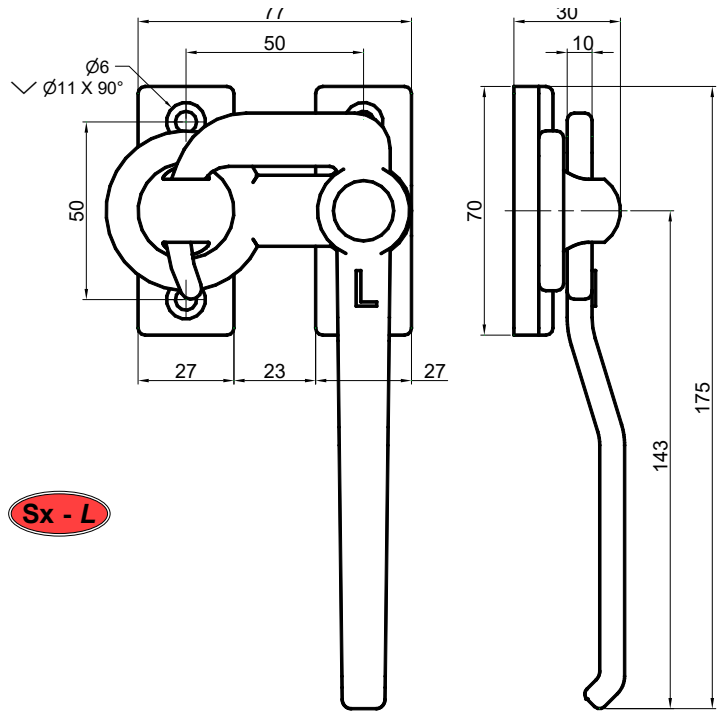


Chiusura zincata completa tipo PASINO
Zinc plated side pannel lock PASINO type

Art. 10350110/R

Art. 10350110/L

0,430 kg



Sx - L

Chiusura tipo FRANCIA con riscontro
Lock with keeper raw steel FRANCIA type
Grezza - Raw

Art. 10340100/R

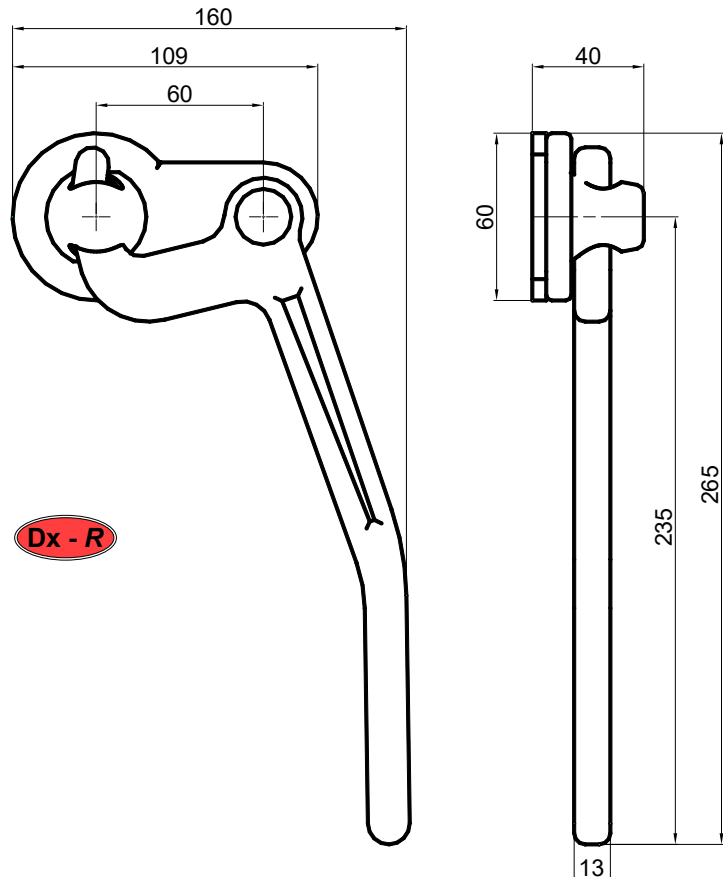
Art. 10340100/L

Zincata - Zinc plated

Art. 10340110/R

Art. 10340110/L

1,000 kg



Dx - R



Chiusura tipo FRANCIA grezza con arresto
Side pannel lock with keeper raw steel FRANCIA type

Art. 10329100/R

Art. 10329100/L

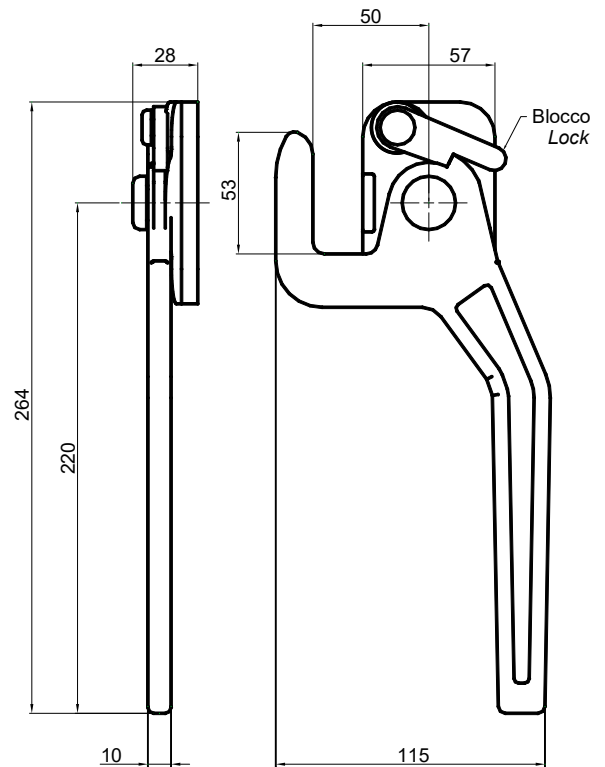
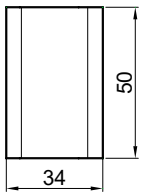
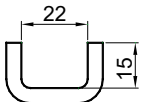
1,100 kg



Scontrino grezzo
Raw keeper

Art. 10330100

0,130 kg

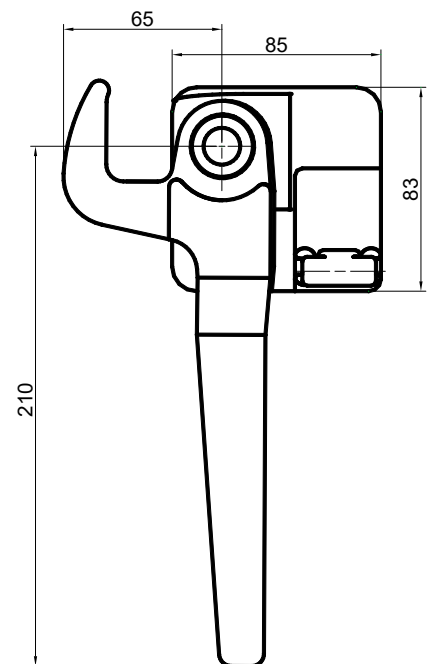
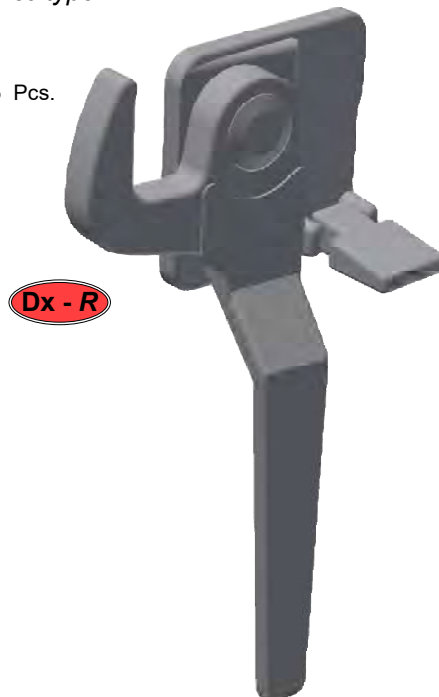


Chiusura sponda tipo Africa grezza
Raw sideboard caught Africa type

Art. 10335100/R

Art. 10335100/L

1,100 kg





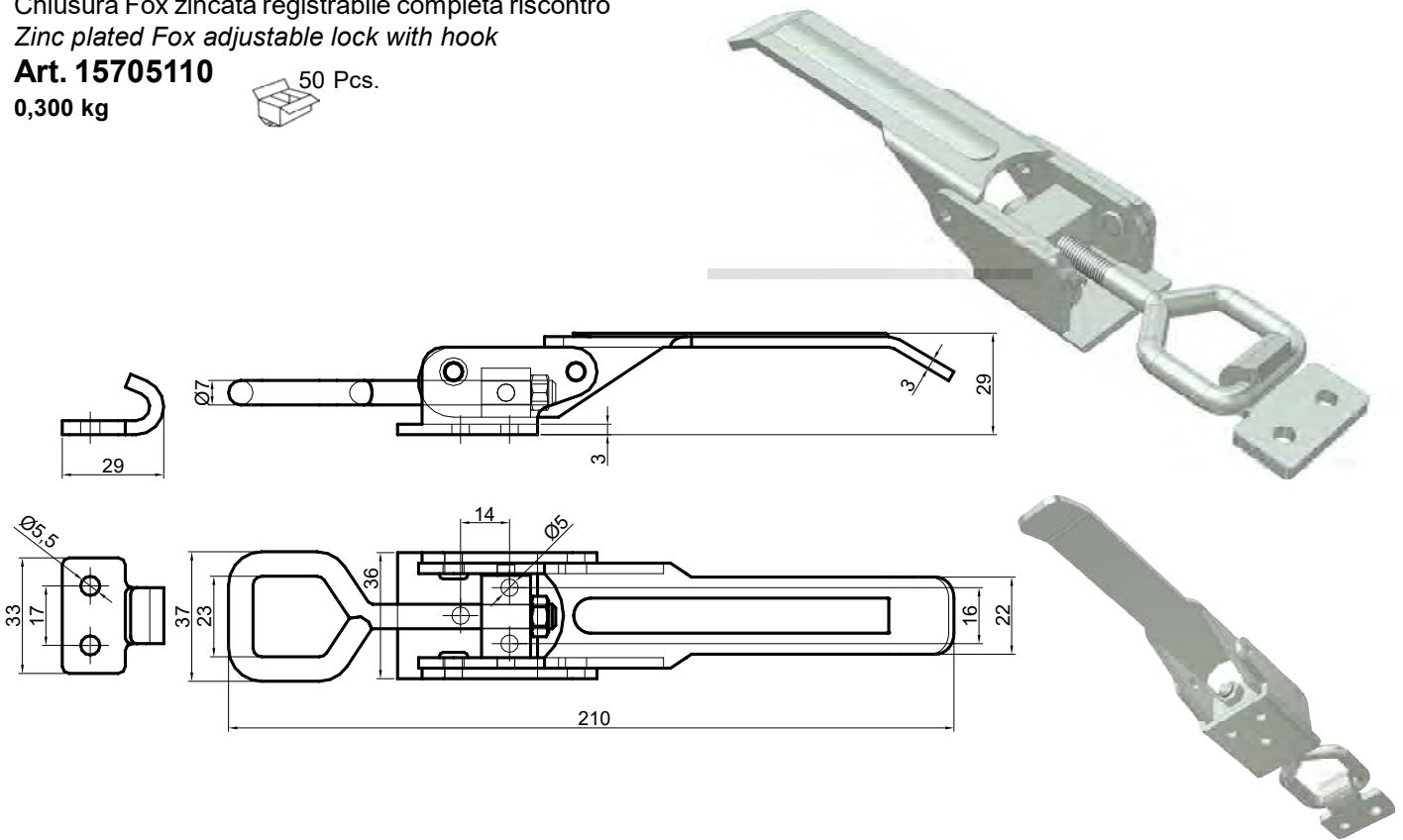
Chiusura Fox zincata registrabile completa riscontro

Zinc plated Fox adjustable lock with hook

Art. 15705110

0,300 kg

50 Pcs.

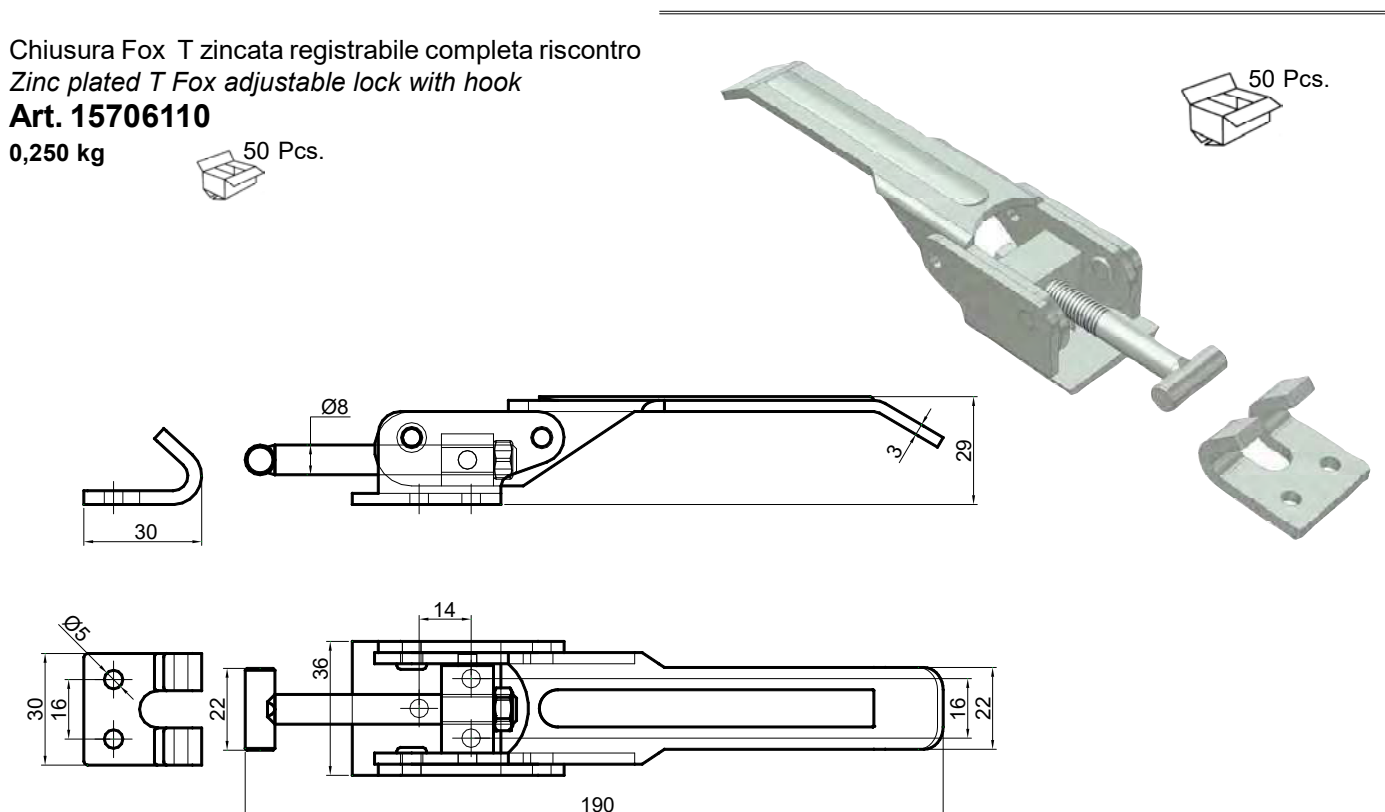
Chiusura Fox T zincata registrabile completa riscontro

Zinc plated T Fox adjustable lock with hook

Art. 15706110

0,250 kg

50 Pcs.

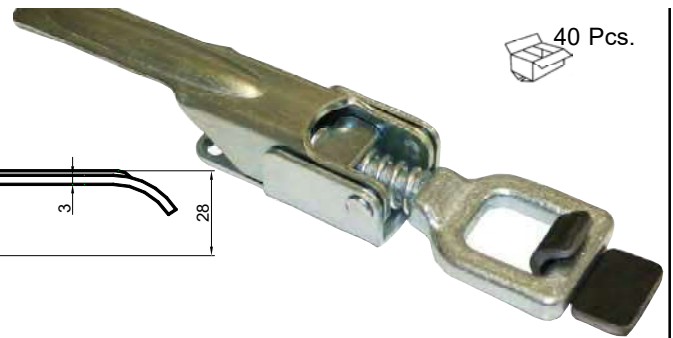
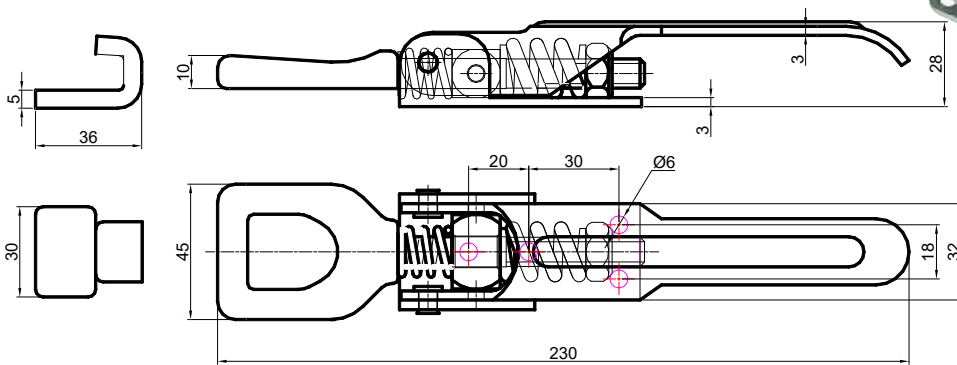





Chiusura Scott zincata registrabile completa riscontro
Zinc plated Scott adjustable steel lock with raw hook
Art. 15162110

0,520 kg

40 Pcs.

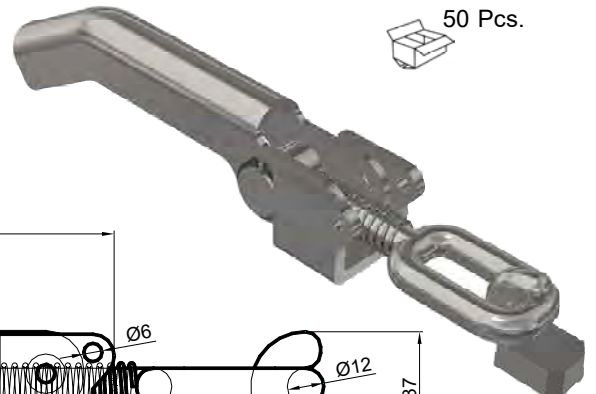
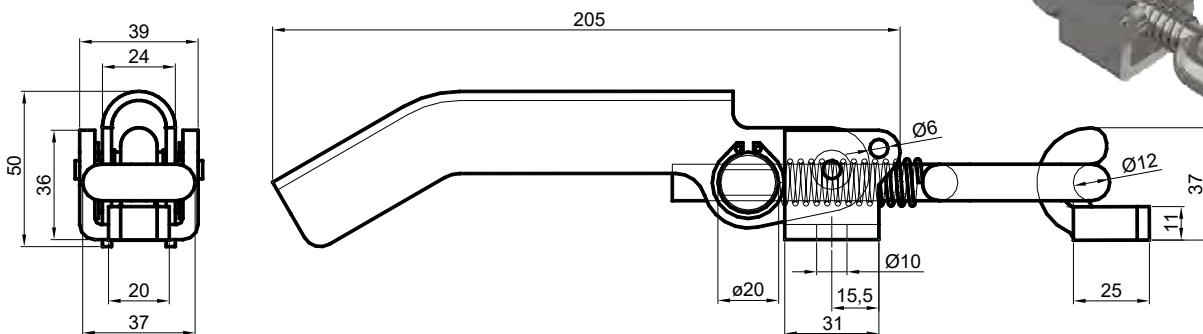


Chiusura zincata registrabile a saldare completa di gancio
Zinc plated adjustable lock with hook

Art. 15162218

0,700 kg

50 Pcs.

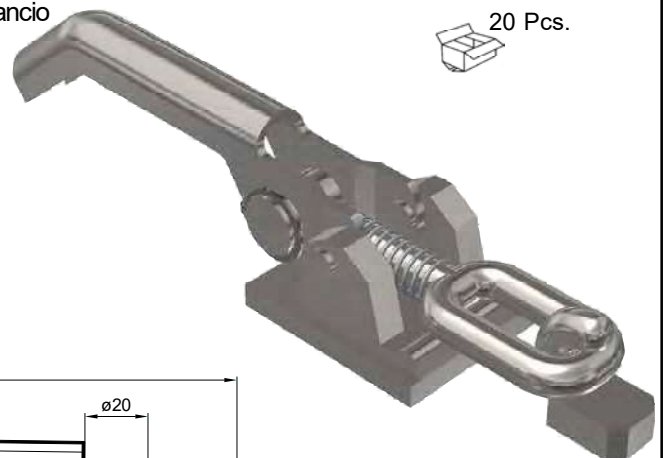
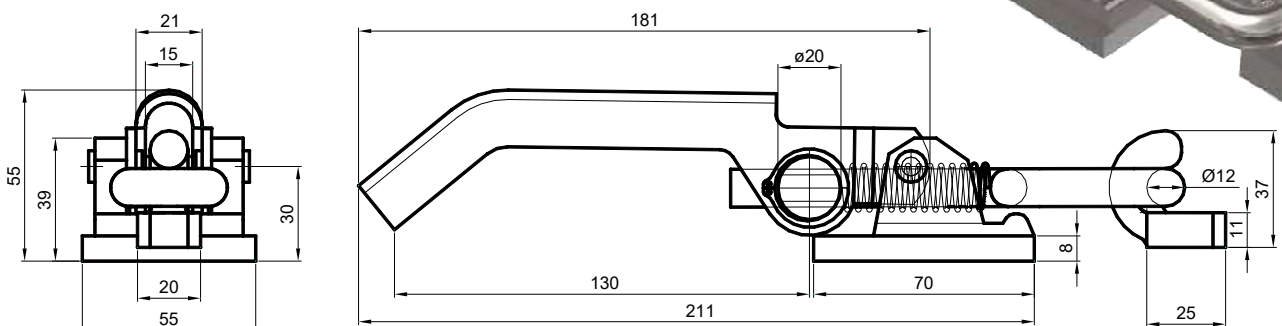


Chiusura zincata registrabile a saldare con base forgiata completa di gancio
Zinc plated adjustable forged base lock with hook

Art. 15162219

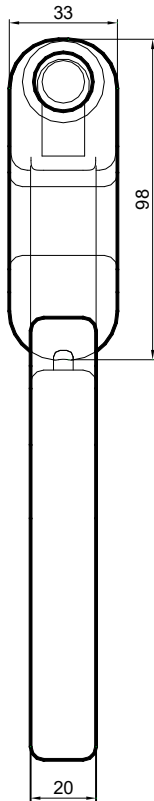
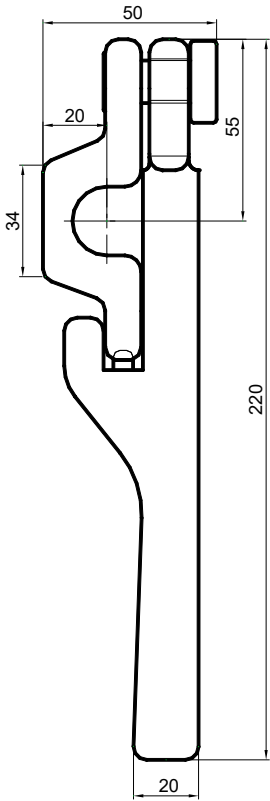
0,800 kg

20 Pcs.

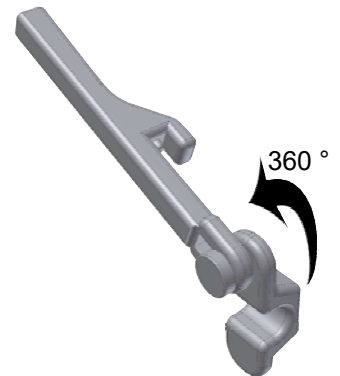
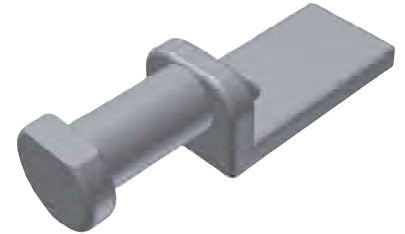
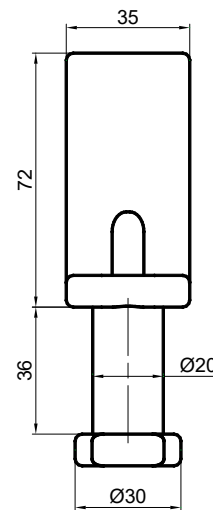
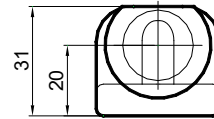




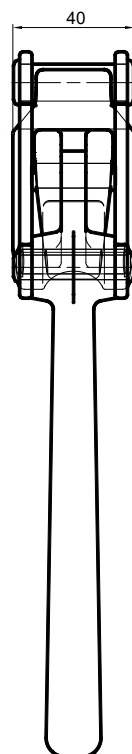
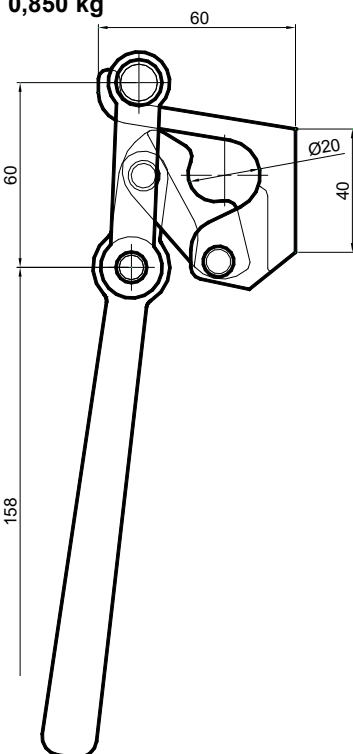
Chiusura trilaterale grezza
Raw locks with three-sided
Art. 15265100 0,900 kg



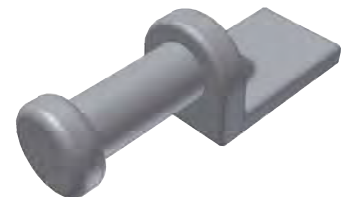
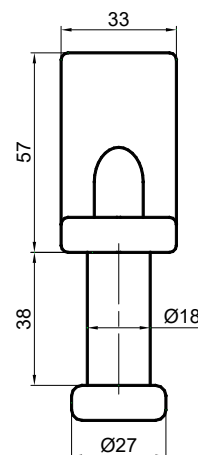
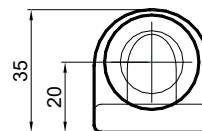
Raw piantone Ø20
Raw pillar Ø20
Art. 15264100
0,360 kg



Chiusura Marottina grezza
Raw locks Marottina
Art. 15262263
0,850 kg

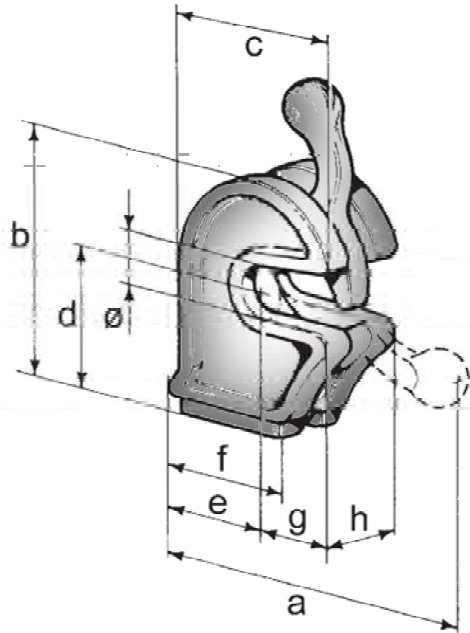


Piantone grezzo Ø18
Raw pillar Ø18
Art. 15262264
0,320 kg

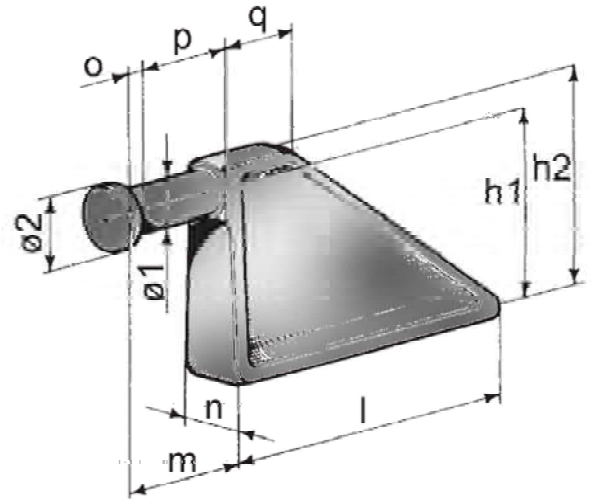




Chiusura a blocco
Clamp



Piantone
Pillar



Chiusura a blocco - Clamp

30 Pcs. 30 Pcs. 20 Pcs. 20 Pcs. 10 Pcs.	Articolo Article	Descrizione Description	Quote / Size (mm)									kg	Piantone Pillar
			Ø	a	b	c	d	e	f	g	h		
30 Pcs.	10230085	Chiusura bassa Ø20 Low clamp Ø20	21	95	85	70	50	41	50	30	25	0,630	10230185
20 Pcs.	10248100	Chiusura leggera Ø20 Light clamp Ø20	22	130	115	85	70	56	62	35	33	1,375	10250100
20 Pcs.	10251100	Chiusura media Ø24 Medium clamp Ø24	25	110	115	85	70	56	62	35	39	1,500	10280100
20 Pcs.	10252100	Chiusura pesante Ø30 Heavy clamp Ø30	32	118	120	90	71	52	76	41	41	1,650	10254100
10 Pcs.	10260100	Chiusura extrapesante Ø40 Extra-heavy clamp Ø40	41	150	140	104	82	60	95	48	45	2,670	10262100

Piantone - Pillar

30 Pcs. 30 Pcs. 20 Pcs. 20 Pcs. 10 Pcs.	Articolo Article	Descrizione Description	Quote / Size (mm)										kg
			Ø1	Ø2	l	m	n	o	p	q	h1	h2	
30 Pcs.	10230185	Piantone basso Ø20 Low pillar Ø20	20	29	91	43	24	10	32	32	60	76	0,830
20 Pcs.	10250100	Piantone leggero Ø20 Light pillar Ø20	20	33	128	53	25	10	42	42	95	108	1,050
20 Pcs.	10280100	Piantone medio Ø24 Medium pillar Ø24	24	32	128	54	24	8	45	30	95	110	1,050
20 Pcs.	10254100	Piantone pesante Ø30 Heavy pillar Ø30	30	40	128	57	32	10	45	50	100	115	1,750
10 Pcs.	10262100	Piantone Extrapesante Ø40 Extra-heavy pillar Ø40	40	52	133	70	32	14	50	45	102	125	2,330

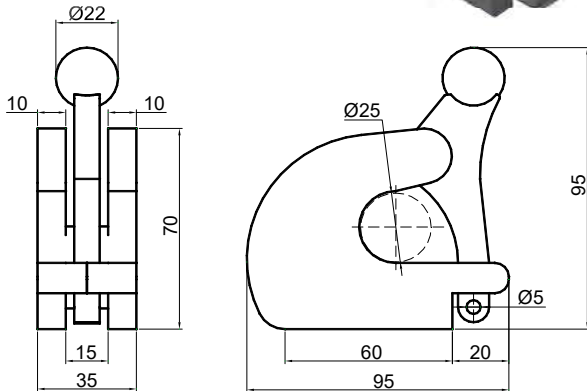


Chiusura a blocco tipo R.C grezza 50 Pcs.

Clamp R.C type raw material

Art. 10242100

0,850 kg

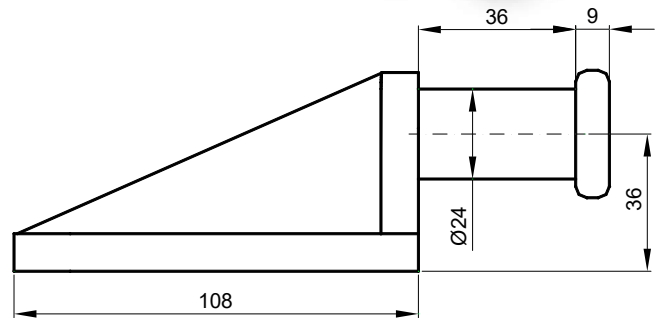


Piantone R.C grezzo 50 Pcs.

Raw R.C Column

Art. 10240200

0,715 kg



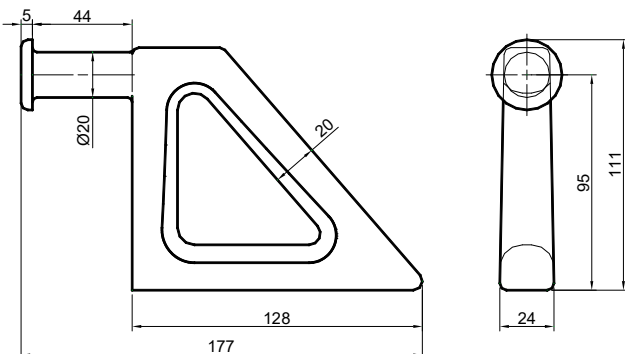
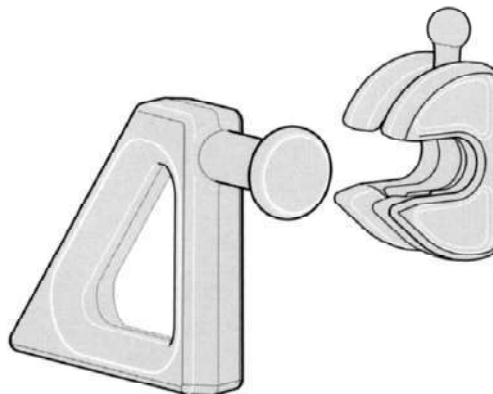
Piantone Ø20 aperto grezzo

Raw open pillar Ø20

Art. 10250101

0,925 kg

20 Pcs.



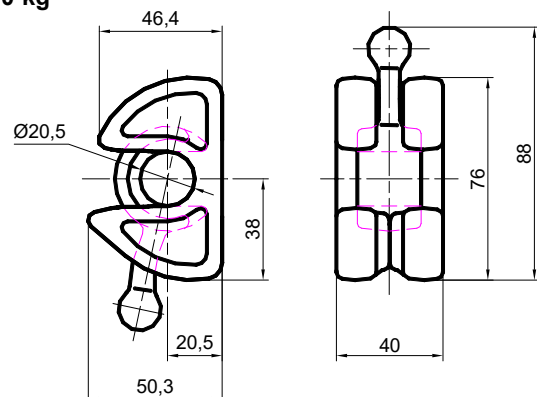
Semi-chiusura grezza

Raw semi-lock

Art. 10249100

0,520 kg

20 Pcs.



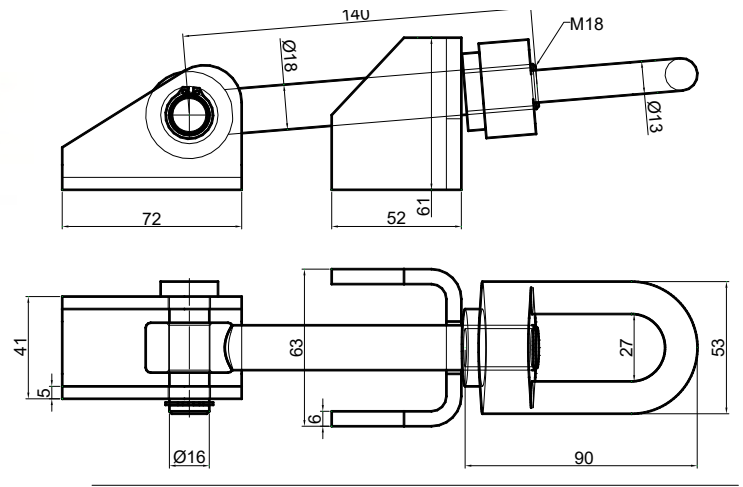


Chiusura Carro-Botte M18 grezza

Raw M18 locking Carro-Botte

Art. 15365100

1,400 kg

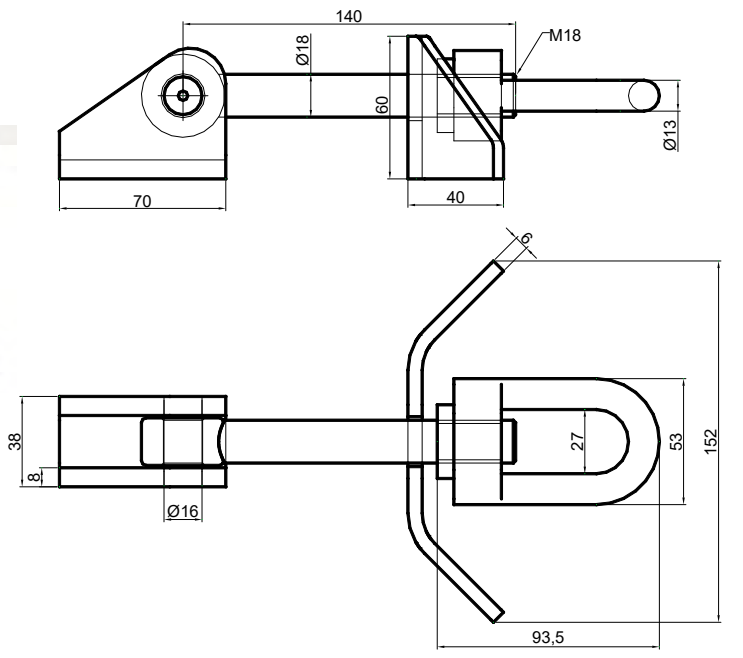


Chiusura Carro-Botte-Export M18 grezza

Raw M18 locking Carro-Botte-Export

Art. 15366100

1,450 kg



Chiusura Carro-Botte-Export M20 grezza
Raw locking Heavy Carro-Botte-Export M20

Art. 15367100/4

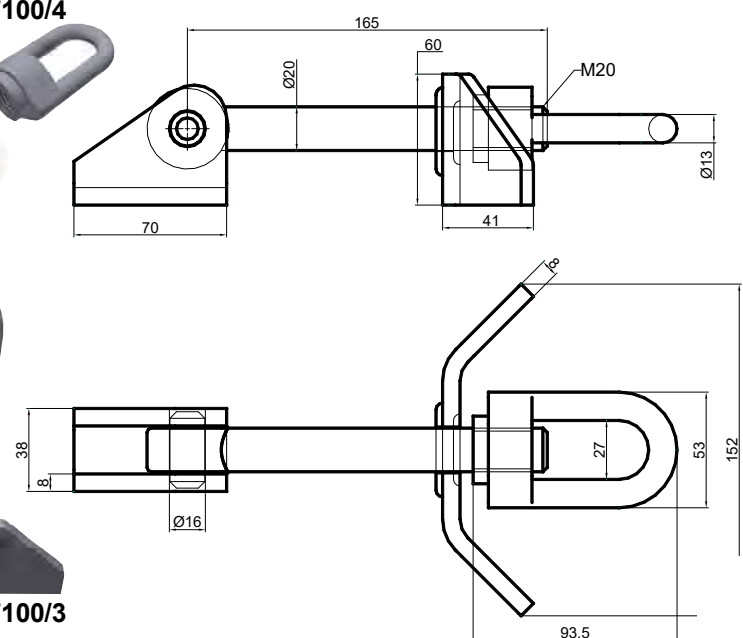
Art. 15367100

1,900 kg



Art. 15367100/2

Art. 15367100/3





Perno a molla piccolo
Small plated spring bolt

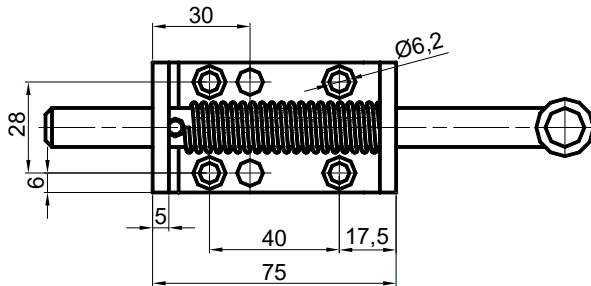
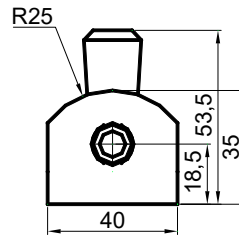
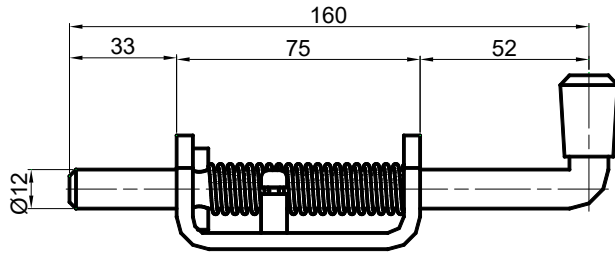
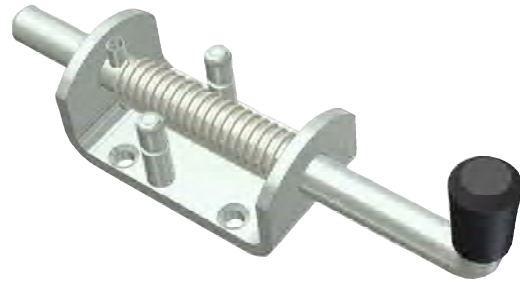
Art. 20128110 Zincato / Zinc plated

Art. 20128210 Inox / Stainless steel

0,355 kg



50 Pcs.



Perno a molla medio

Medium Plated spring bolt

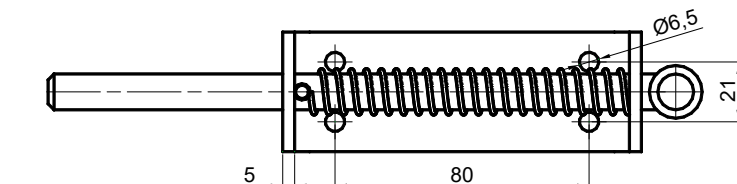
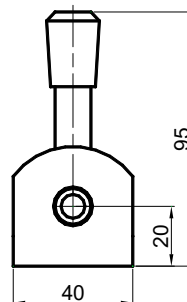
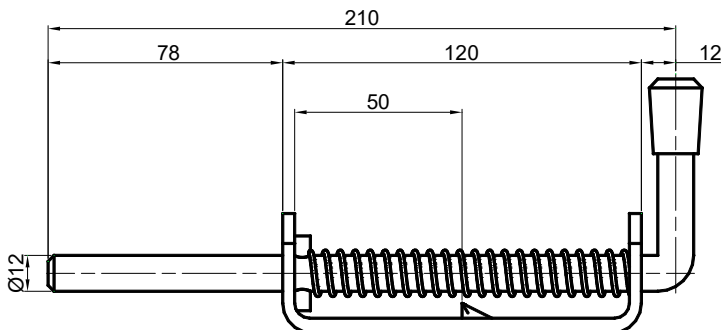
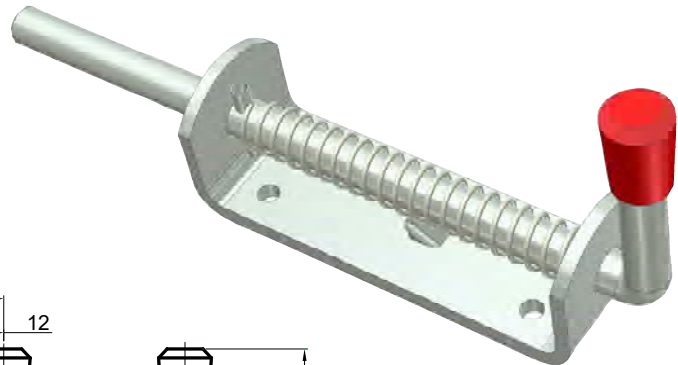
Art. 20128510 Zincato / Zinc plated

Art. 20128610 Inox / Stainless steel

0,470 kg



25 Pcs.





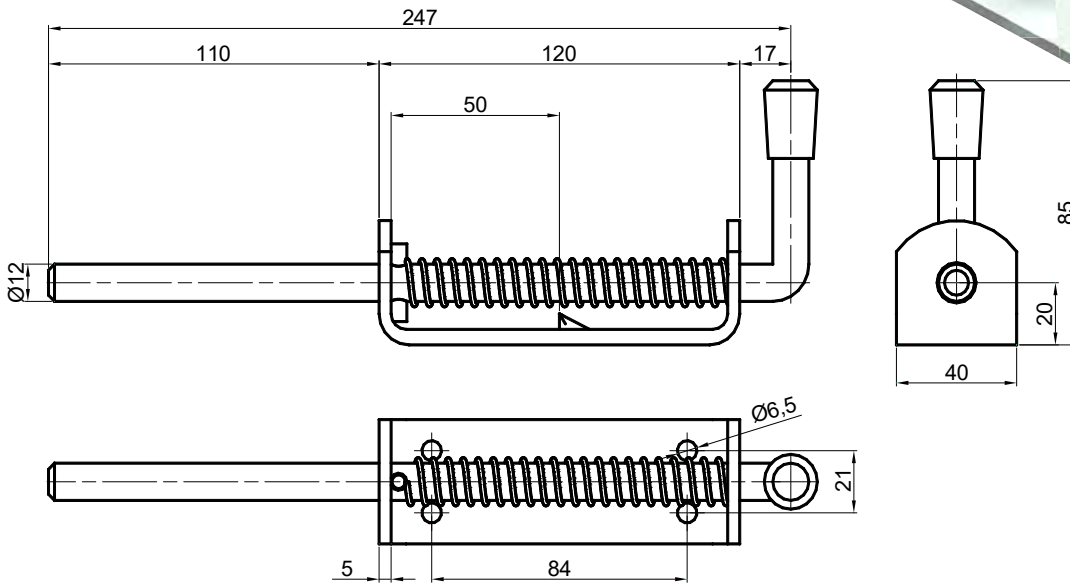
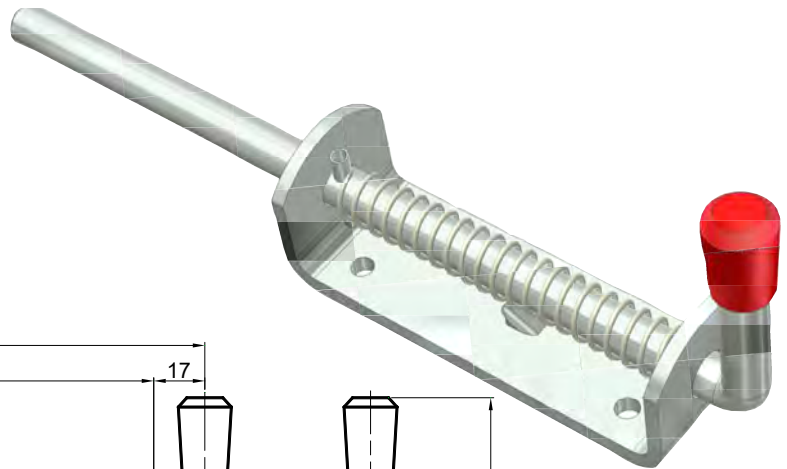
Perno a molla grande

Big plated spring bolt

Art. 20128510/1 Zincato / Zinc plated

Art. 20128610/1 Inox / Stainless steel

0,530 kg



Chiusura zincata per pedana idraulica

Zinc plated lock for rear door

Art. 15320048 - Dx-R

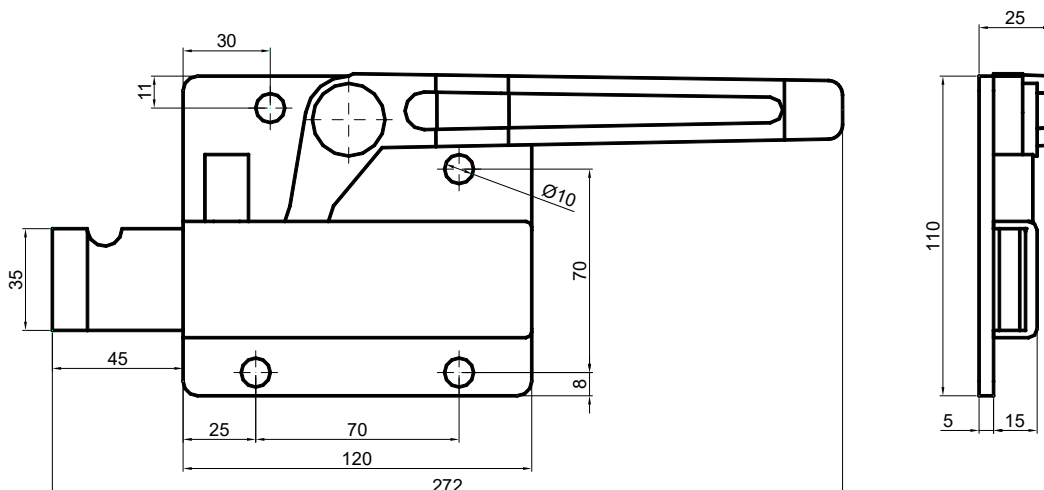
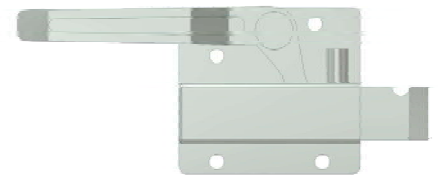
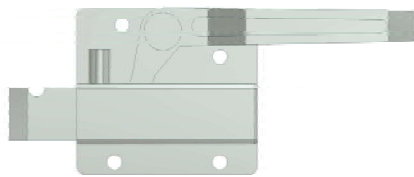
Art. 15320049 - Sx-L

1,360 kg



*Esempio di montaggio

*Assembly example



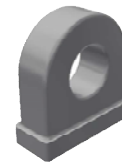
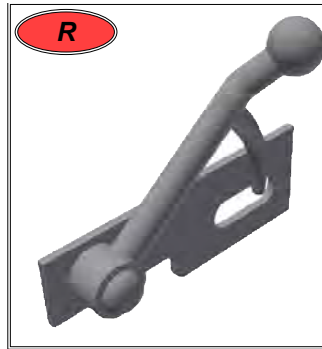
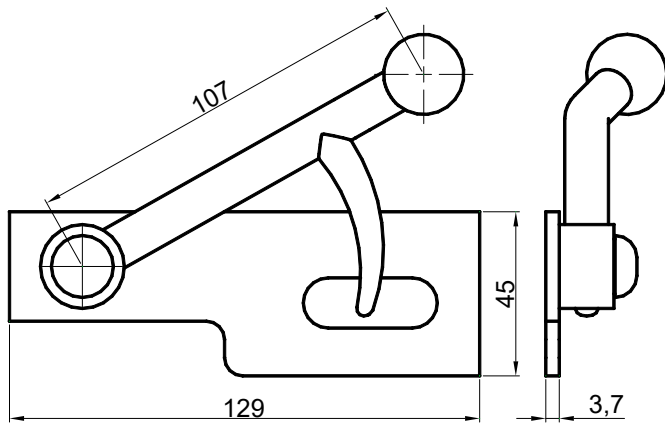


Chiusura a pomolo Leggera grezza con piastra Sp.3,7
Raw Light Ball grip lock with plate thickness 3,7

Art. 15012100/R

Art. 15012100/L

0,320 kg



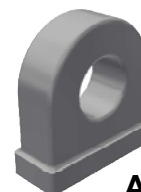
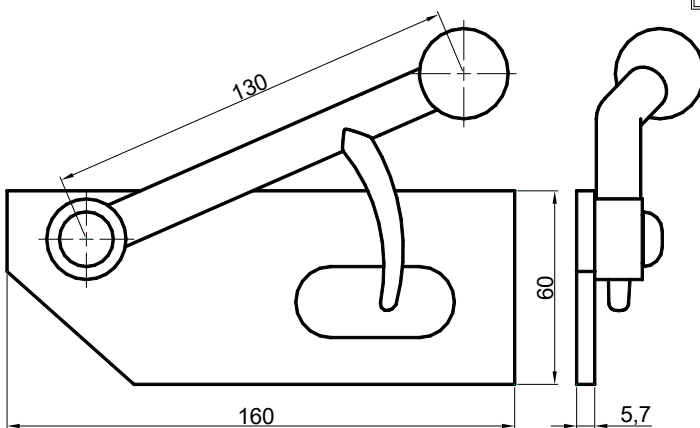
Art. 15012028

Chiusura a Pomolo Media grezza con piastra Sp.5,7
Raw Medium Ball grip lock with plate thickness 5,7

Art. 15012200/R

Art. 15012200/L

0,730 kg



Art. 15012044



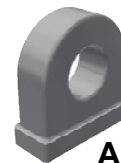
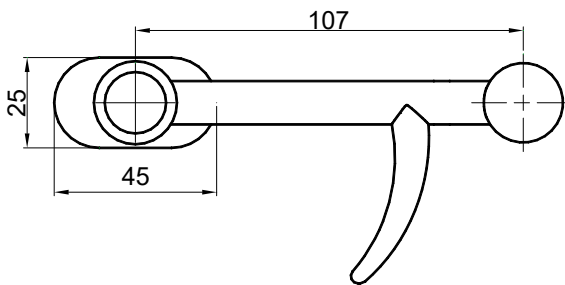
Chiusura a pomolo Leggera grezza

Raw Light Ball grip lock

Art. 15012024R

Art. 15012024/L

0,240 kg



Art. 15012028

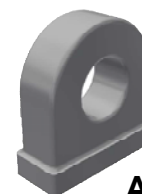
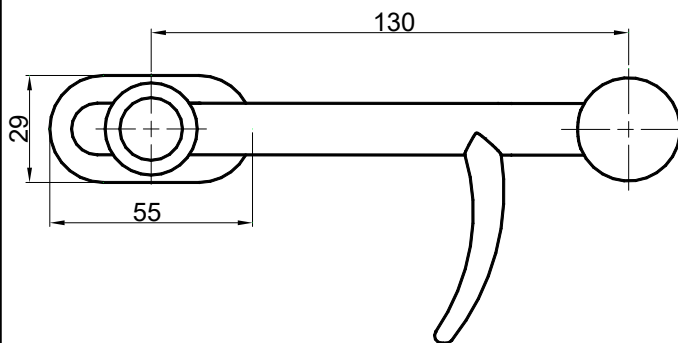
Chiusura a pomolo Media grezza

Raw Medium Ball grip lock

Art. 15012040R

Art. 15012040/L

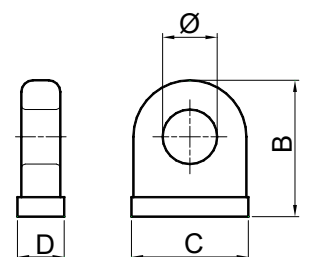
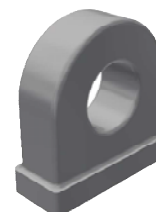
0,450 kg



Art. 15012044

Golfare grezzo
Raw ring bolt

Articolo Article	Tipo Type	Ø	B	C	D	kg
15012028	Leggera Light	12,5	30	30	12	0,040
15012044	Medio Medium	14,5	33	35	12	0,050
15012060	Pesante Heavy	17,5	42	42	14	0,090





Leva CUNA freno parcheggio
CUNA Parking bracke lever

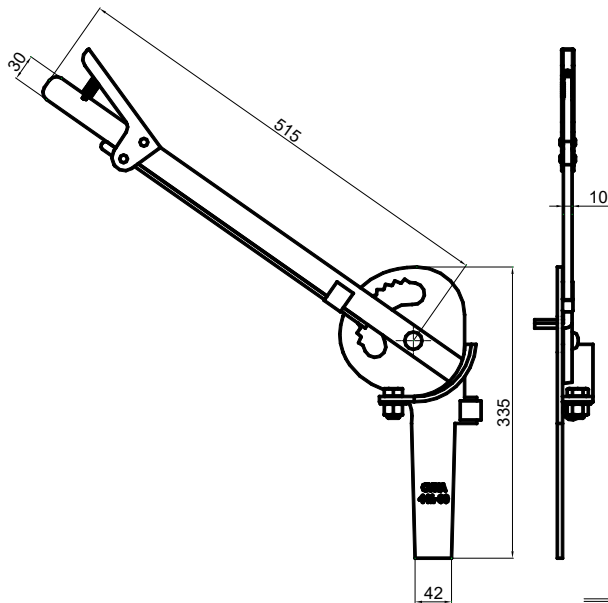


Art. 29100100 Grezza - Raw

Art. 29100301 Zincata - Zinc plated

Art. 29100200 Verniciato nero - Black Painted

3,000 kg

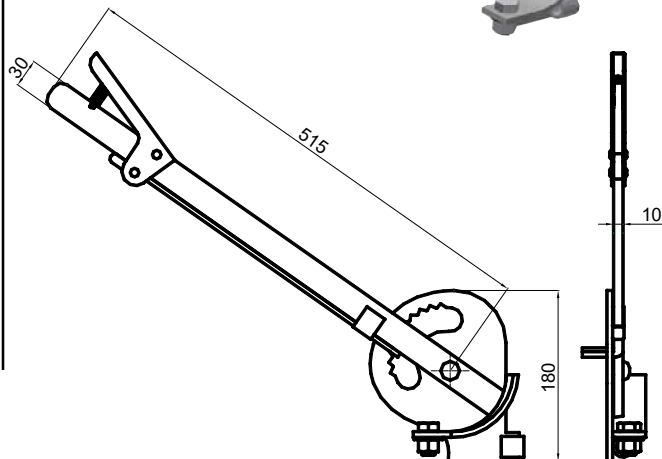


Leva freno parcheggio grezza
Raw Parking bracke lever



Art. 29100100/SC

3,000 kg

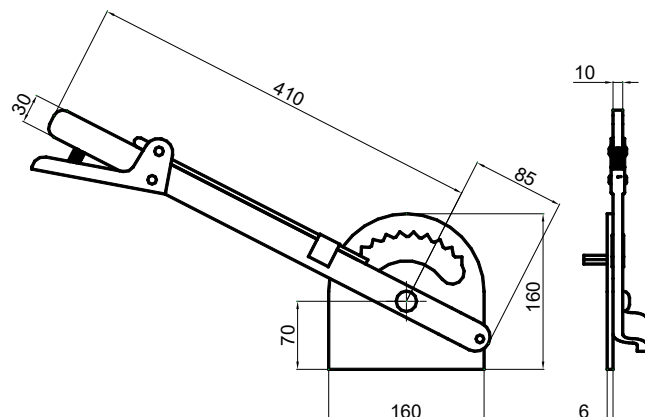
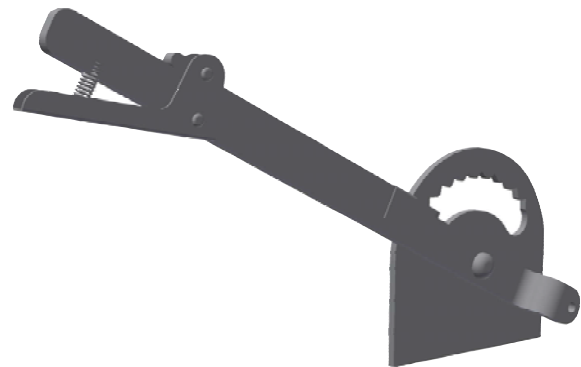


Leva freno parcheggio grezza
Raw Parking bracke lever



Art. 29100400

2,500 kg

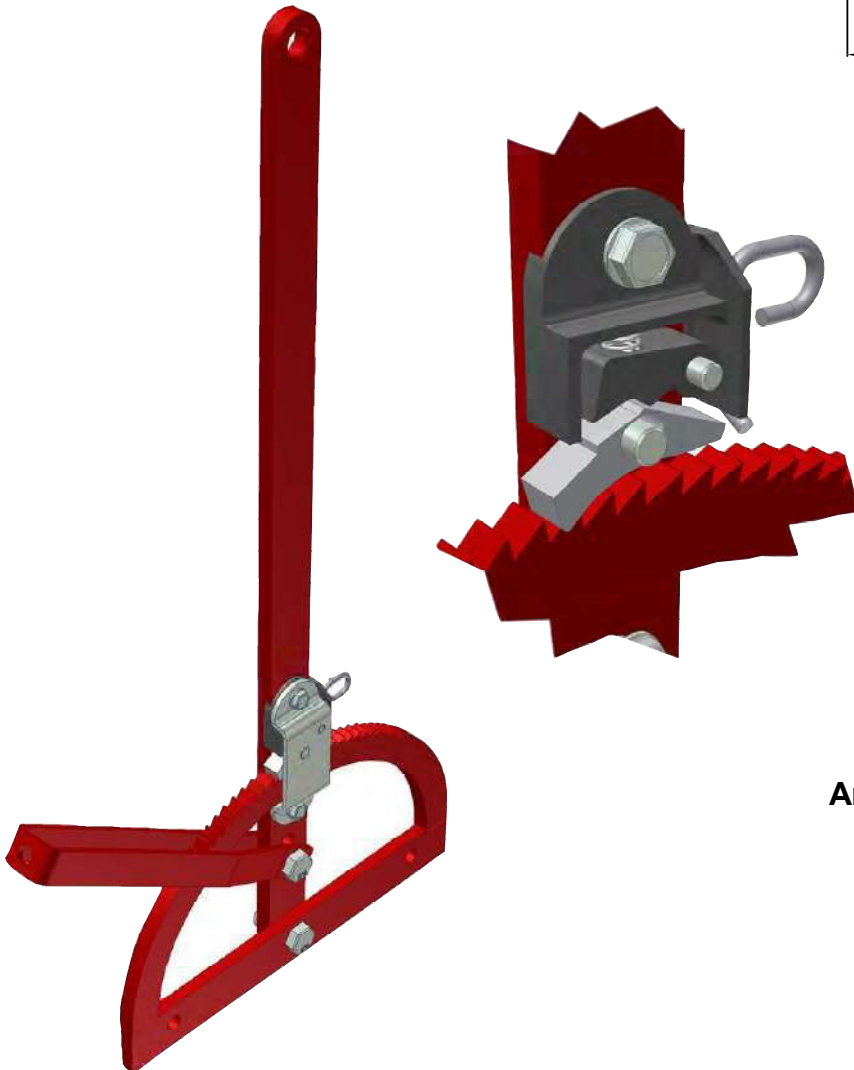
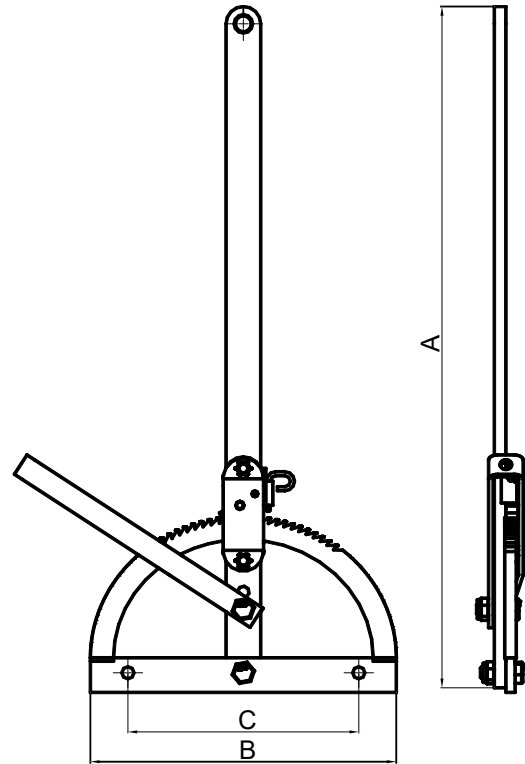




Leva freno a mano tipo "Francia"
Hand brake lever "France" type

250 Pcs.

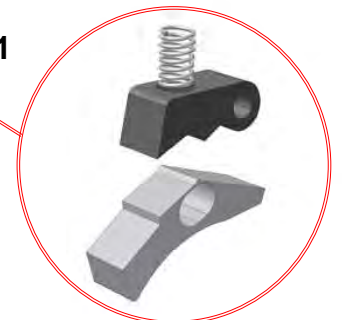
Articolo Code	A	B	C	Trattamento Treatment	Peso Weight kg
29100500	500	240	150	Verniciata rossa Red painted	2,3
29100501	590	265	200	Verniciata rossa Red painted	2,6
29100504	590	265	200	Zincata Galvanized	2,6
29100502	800	265	200	Verniciata rossa Red painted	3,3
29100503	800	265	200	Zincata Galvanized	3,3



Art. 29100510



Art. 29100511



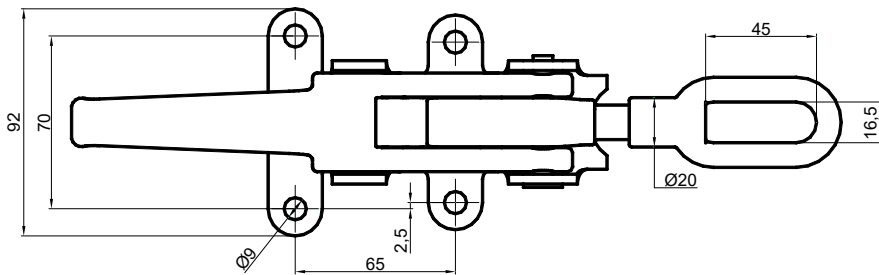
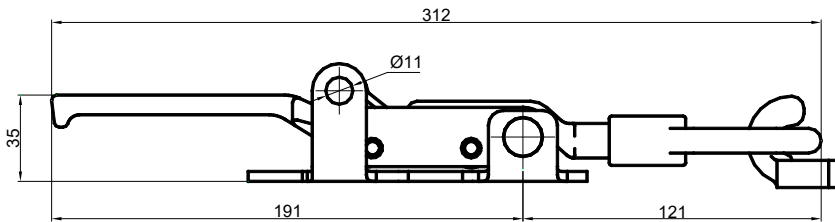
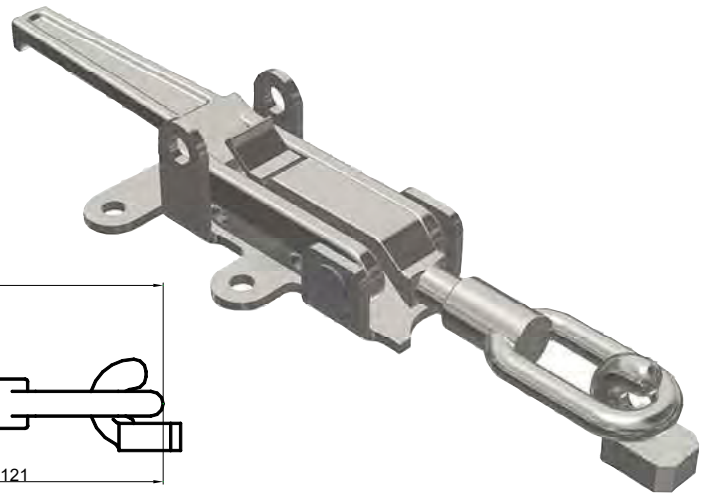


Chiusura zincata registrabile con fermo completa di gancio

Zinc plated adjustable steel locks with hook

Art. 15162230

1,100 kg

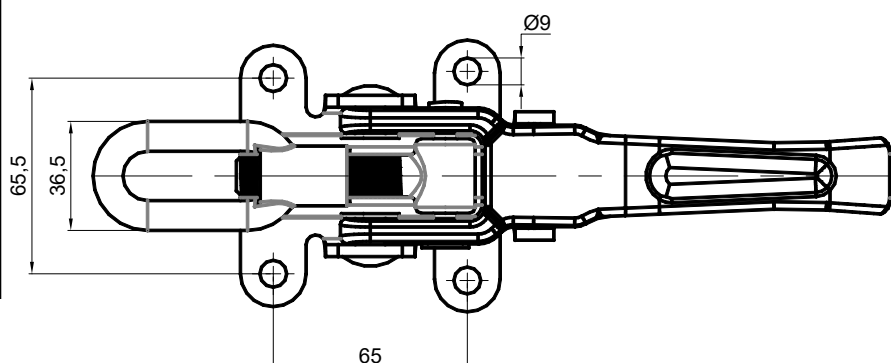
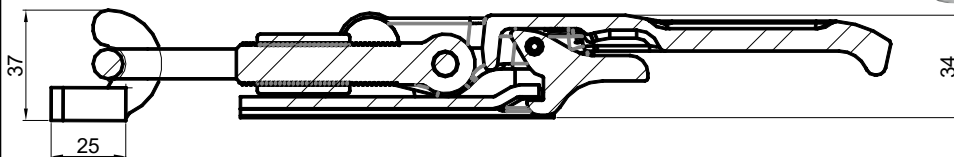
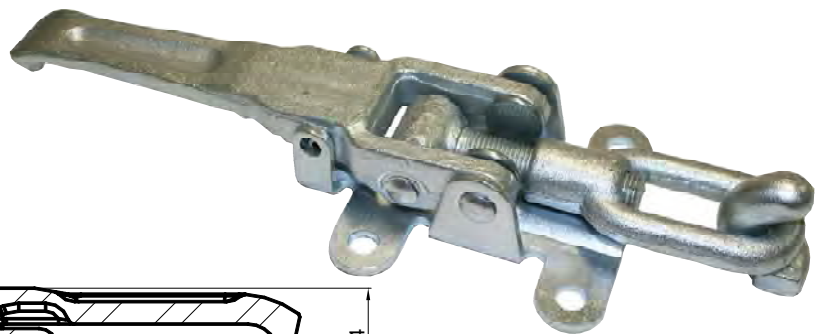


Chiusura zincata registrabile con fermo completa di gancio

Zinc plated adjustable steel locks with hook

Art. 15162225

1,000 kg

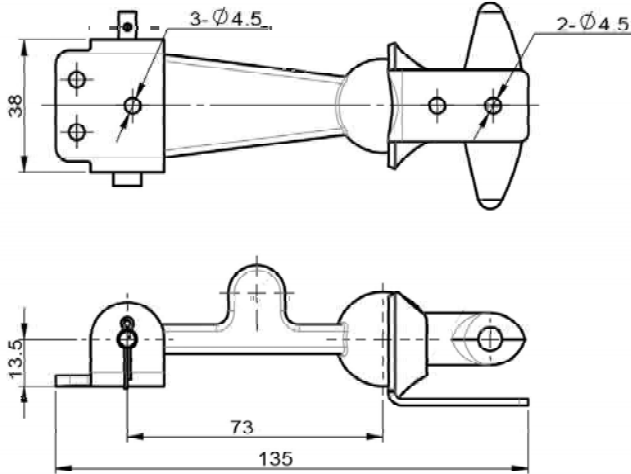




Fermacofano completo zincato
Zinc plated complete bonnet fastener

Art. 10380110

0,080 kg

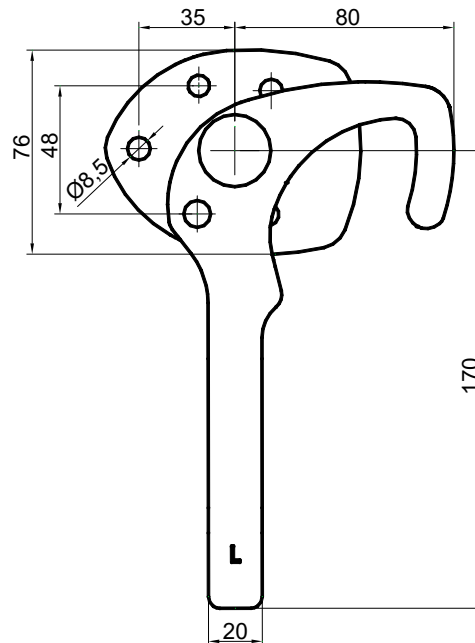


Chiusura sponda tipo Germania zincata
Zinc plated sideboard caught Germany type

Art. 10336100/R

Art. 10336100/L

0,760 kg

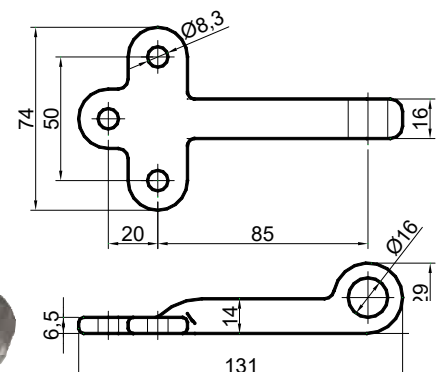


Sx - L

Scontrino zincato
Zinc plated keeper

Art. 10337100

0,220 kg





KOUTSOFTA
BROS.

A&G KOUTSOFTA BROS LTD

23 Markou Drakou, Dasaki Achnas, Cyprus

koutsoftabros@cytanet.com.cy

Tel: +357 24722500

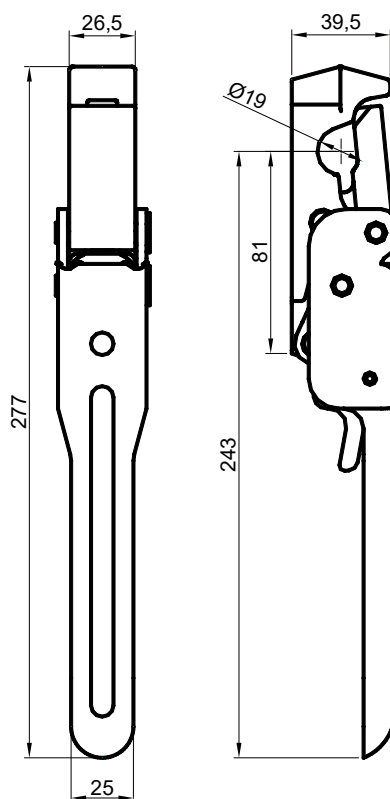
Chiusura sponda tipo Fast system grezza
Raw sideboard caught Fast system

Art. 15266100

0,950 kg



25 Pcs.



Chiusura sponda tipo Fast system sinistra e destra grezza
Raw sideboard caught Fast system left and right

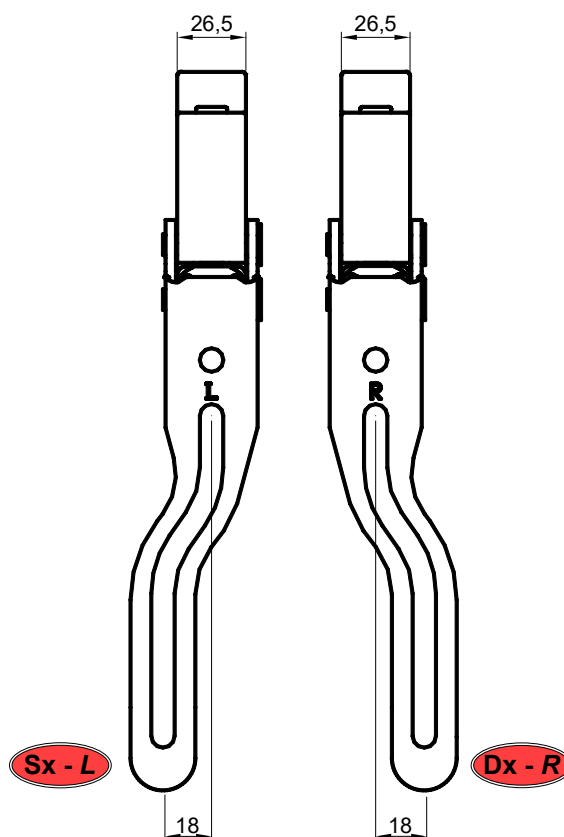
Art. 15266100/R

Art. 15266100/L

1,000 kg



25 Pcs.





Perno diritto Ø18 grezzo per chiusura fast system

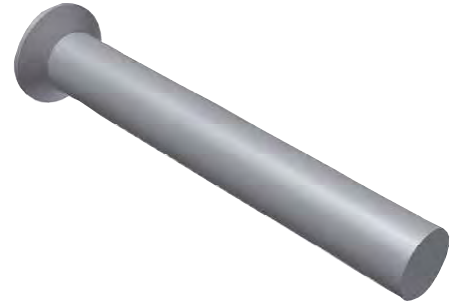
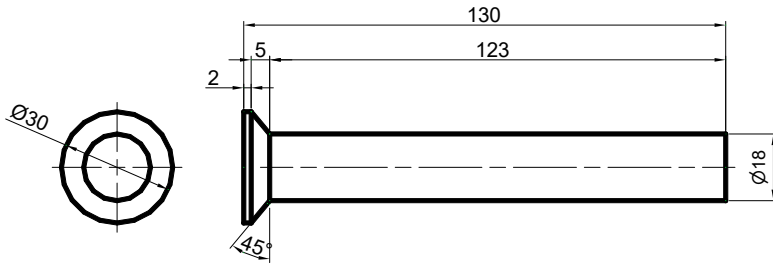
Raw right pin for caught Fast system

Art. 15267100

0,270 kg



60 Pcs.



Perno eccentrico Ø18 grezzo per chiusura fast system

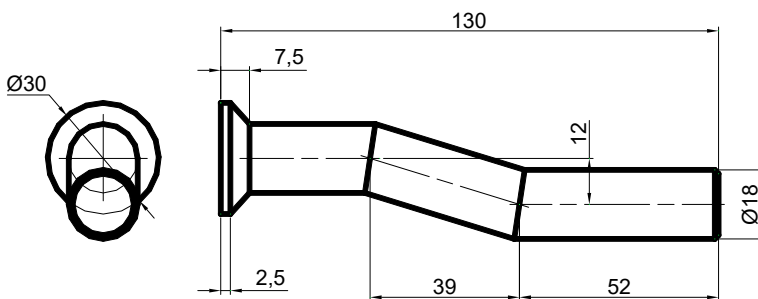
Raw eccentric pin for caught Fast system

Art. 15269100

0,300 kg



60 Pcs.



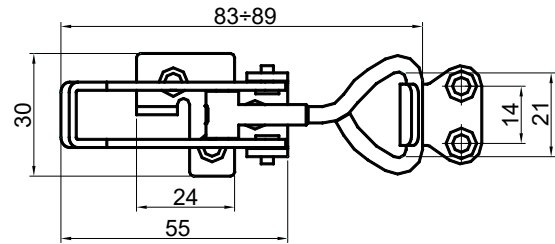
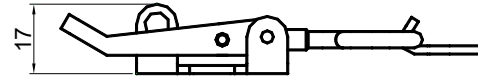
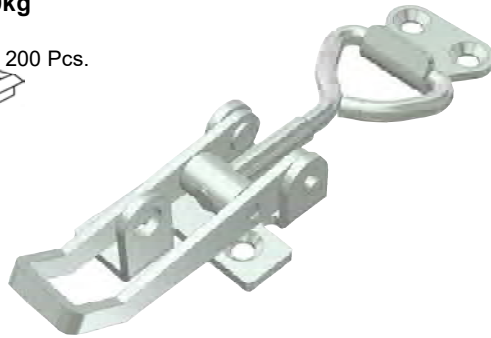


Chiusura Delta zincata piccola

Zinc plated light Delta lock

Art. 10428110

0,050kg



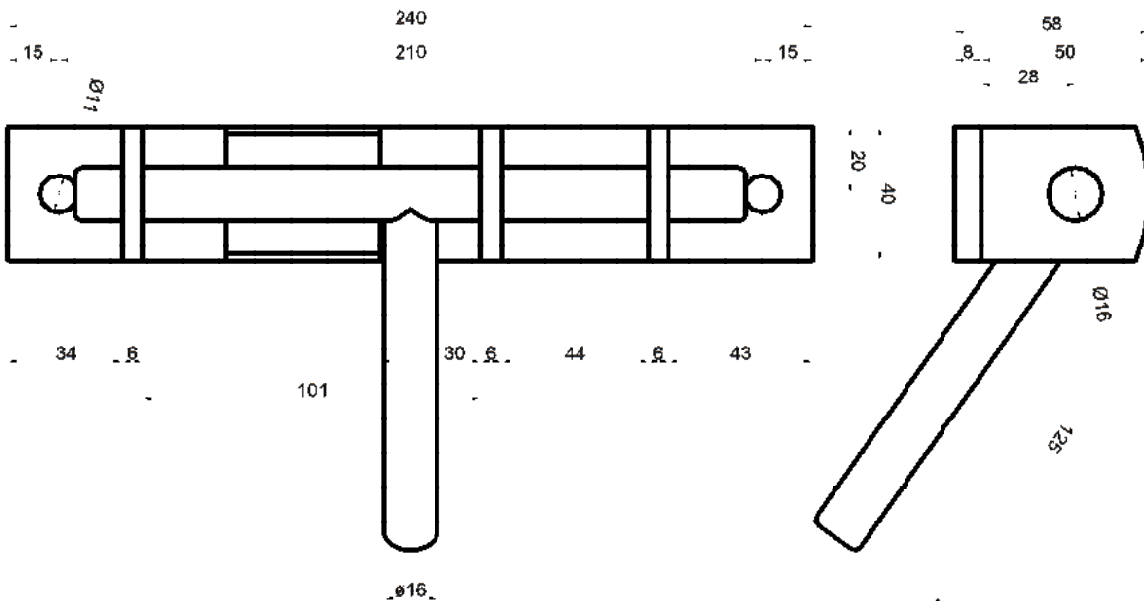
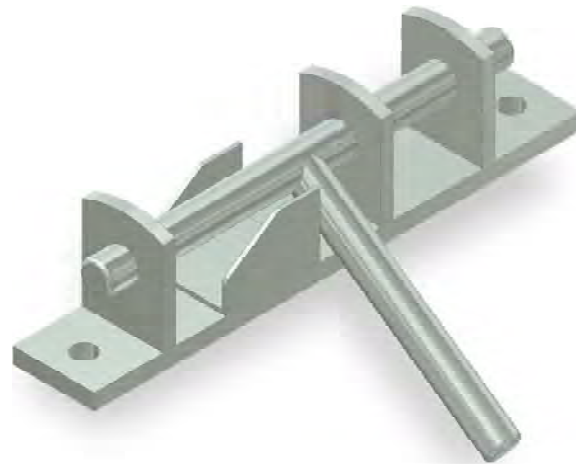
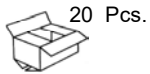
Chiusura a catenaccio

Locking bolt

Art. 10360100 Grezza - Raw

Art. 10360110 Zincata - Zinc plated

1,500 kg





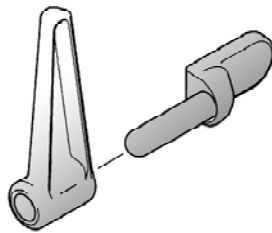
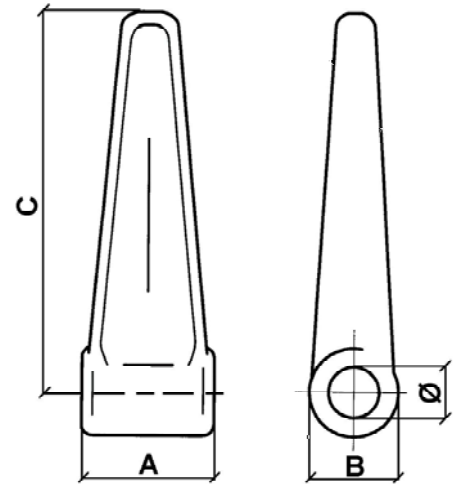
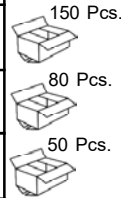
- Cerniere e perni
- Leve comando cerniere
- Saltarello fermaleve e riscontro
- Chiusure a pomolo
- Piastrine per sponde
- Viti
- Perni a molla
- Leve freno per carri agricoli
- Molla a balestra occhio slitta

- *Pins and hinges*
- *Upside-down hinges opening levers*
- *Rear side boars pawls*
- *Hknob tipe locks*
- *Plate*
- *Screw*
- *Plated spring bolt*
- *Parking bracke lever*
- *Leaf springs*

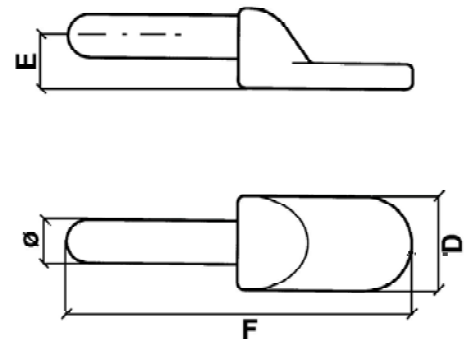
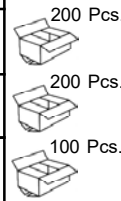
3



CERNIERE BOMBATE CONVEX HINGE						
Articolo Article	Descrizione Description	Ø	A	B	C	kg
15033312	Leggero Light	12	30	20	90	0,130
15033200	Media Medium	14	34	24	110	0,160
15033260	Pesante Heavy	16	40	26	120	0,250



PERNI PIN						
Articolo Article	Descrizione Description	Ø	D	E	F	kg
20033225	Leggero Light	11	30	10	78	0,110
20033240	Media Medium	13	30	13	100	0,120
20033220	Pesante Heavy	15	30	15	100	0,200

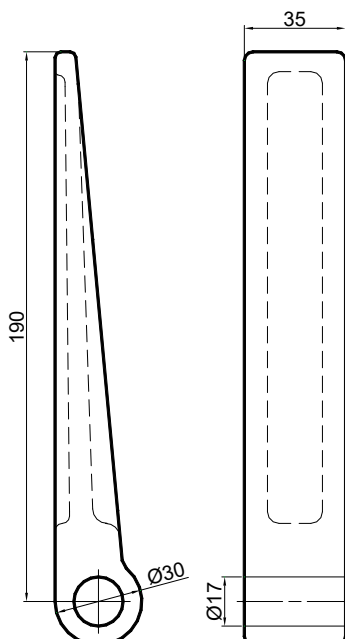


Cerniera piatta pesante grezza

Raw heavy flat hinge

Art. 15033320

0,610 kg

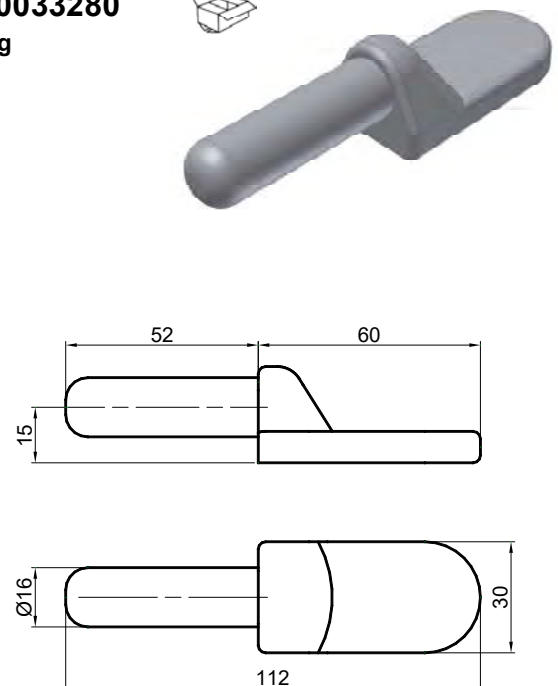


Perno Ø16 grezzo

Raw Ø16 pin

Art. 20033280

0,280 kg

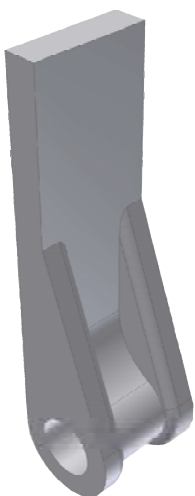
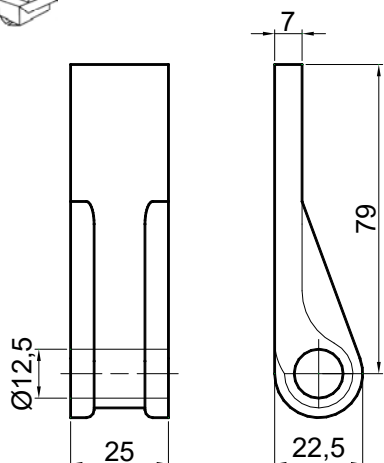




Cerniera grezza tipo "riven" Ø12
Raw hinge type "riven" Ø12

Art. 15092100

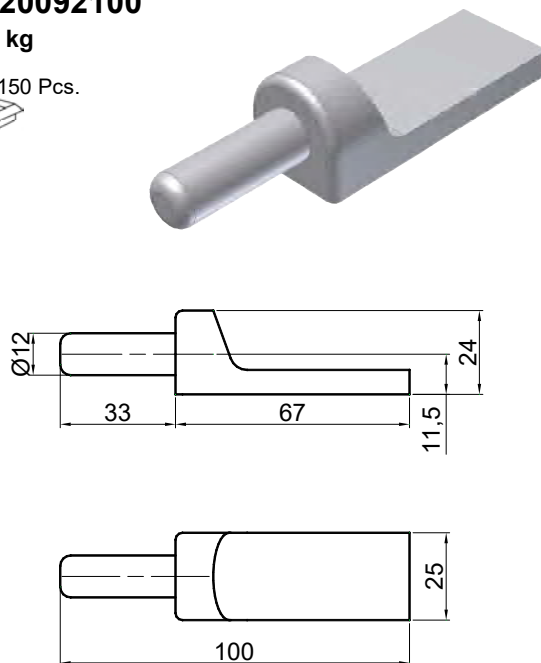
0,150 kg



Perno grezzo tipo "riven" Ø12
Raw pin type "riven" Ø12

Art. 20092100

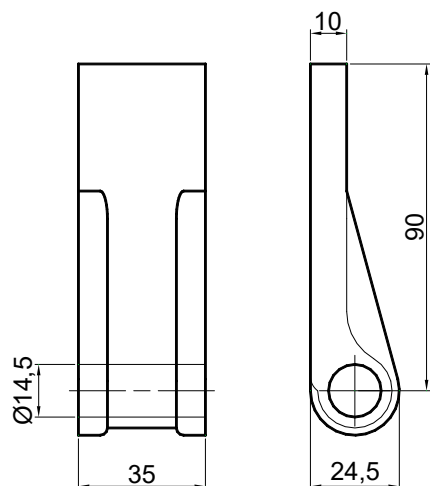
0,140 kg



Cerniera grezza tipo "riven" Ø 14
Raw hinge type "riven" Ø 14

Art. 15094100

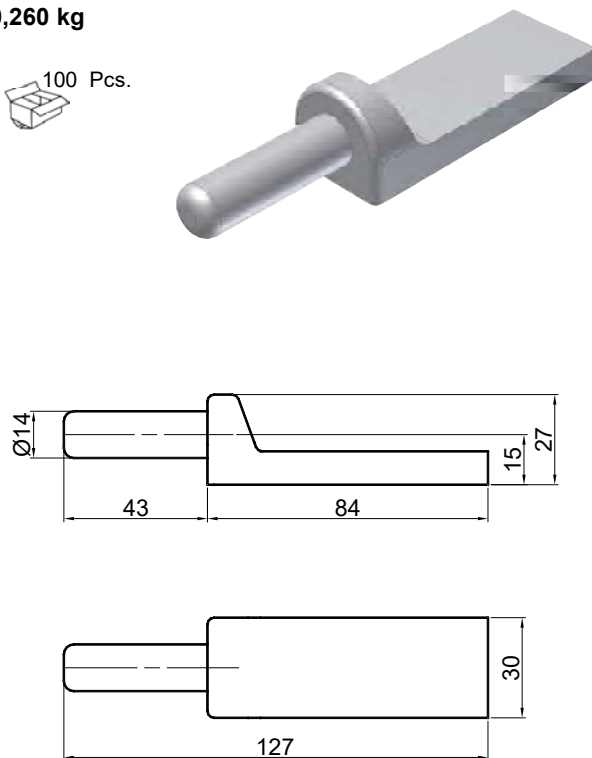
0,300 kg



Perno grezzo tipo "riven" Ø 14
Raw pin type "riven" Ø 14

Art. 20094100

0,260 kg



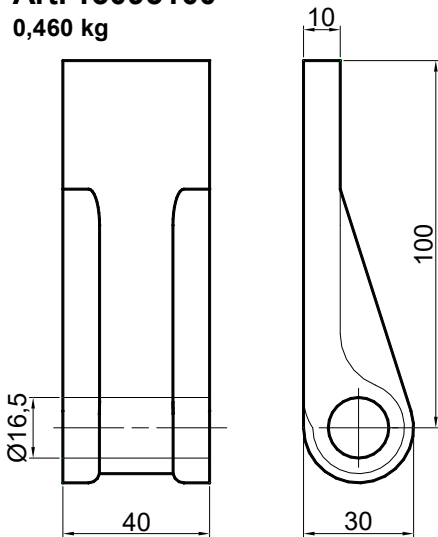


Cerniera grezza tipo "riven" Ø16

Raw hinge type "riven" Ø16

Art. 15095100

0,460 kg

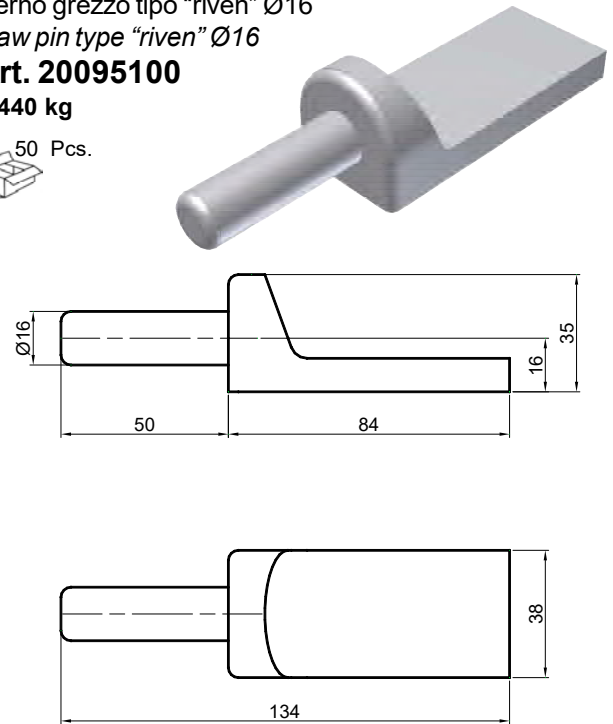


Perno grezzo tipo "riven" Ø16

Raw pin type "riven" Ø16

Art. 20095100

0,440 kg

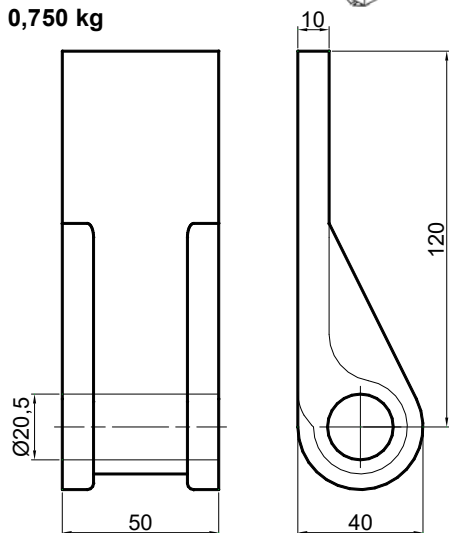
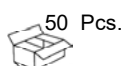


Cerniera grezza tipo "riven" Ø20

Raw hinge type "riven" Ø20

Art. 15091100

0,750 kg

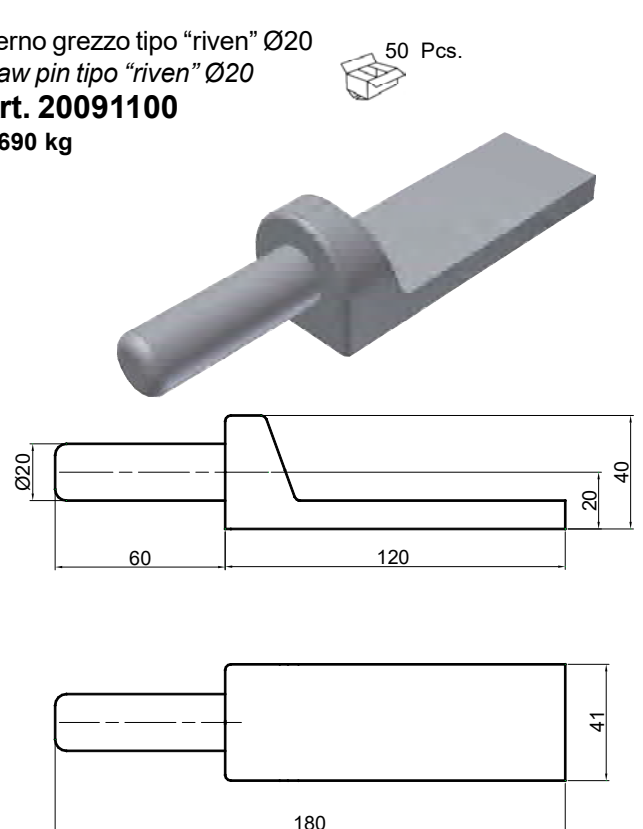


Perno grezzo tipo "riven" Ø20

Raw pin tipo "riven" Ø20

Art. 20091100

0,690 kg



Cerniera grezza tipo "riven" Ø20 con ingrassatore

Raw hinge type "riven" Ø20 with grease nipple

Art. 15091100/1





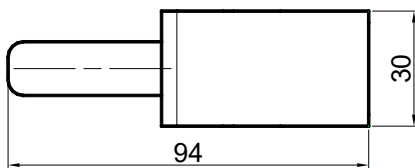
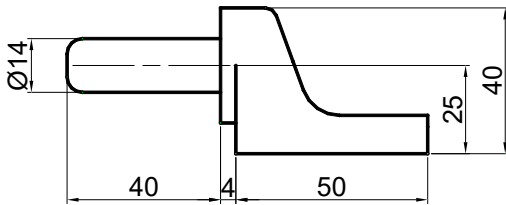
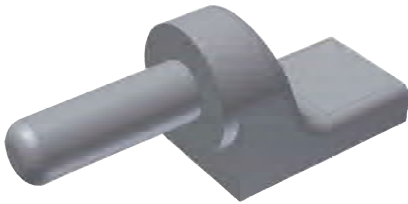
Perno tipo "riven" corto Ø14

Short pin "riven" type Ø14

Art. 20096100 Grezzo - Raw

Art. 20096110 Zincato - Zinc plated

0,260 kg

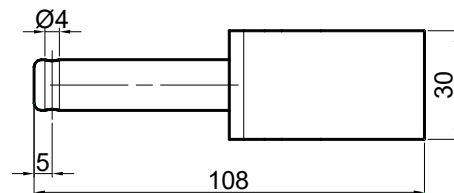
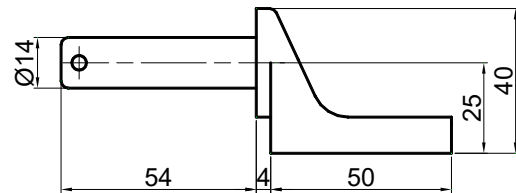
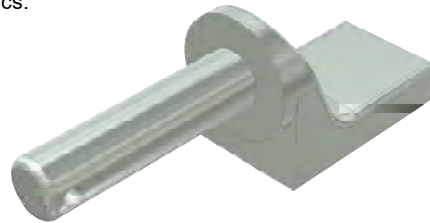


Perno tipo "riven" lungo zincato Ø14

Zinc plated pin long tipe "riven" Ø14

Art. 20096110/F

0,240 kg



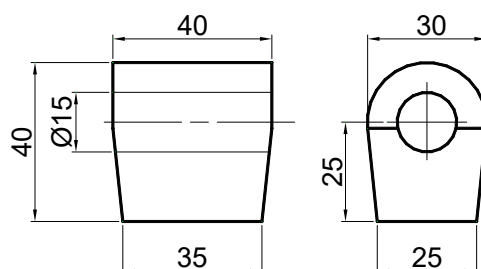
Cerniera bombata tipo "riven" Ø15

Hinge type "riven" Ø15

Art. 15096100 Grezza - Raw

Art. 15096110 Zincata - Zinc plated

0,255 kg



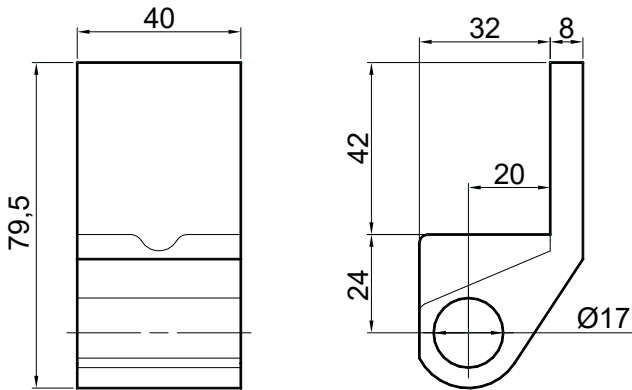


Cerniera bilaterale grezza Ø17

Raw bilateral hinge Ø17

Art. 15098100

0,340 kg

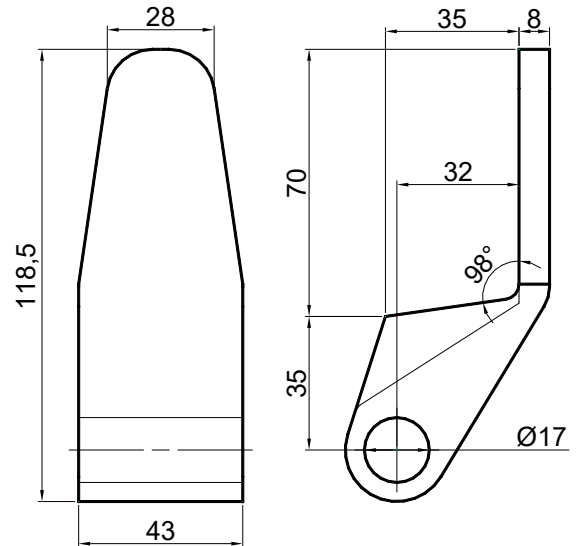


Cerniera bilaterale grezza Ø17

Raw bilateral hinge Ø17

Art. 15016195

0,500 kg

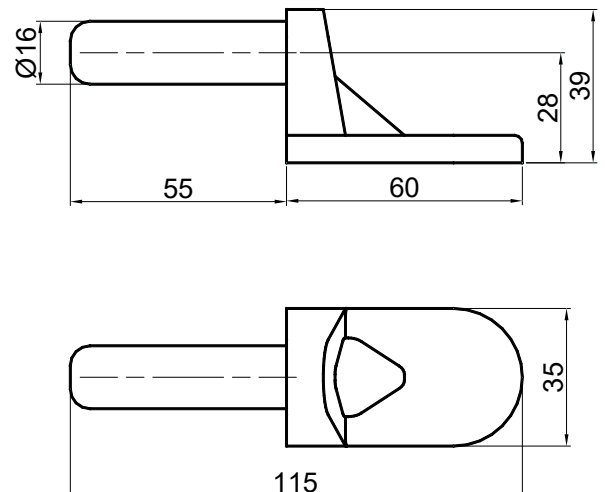
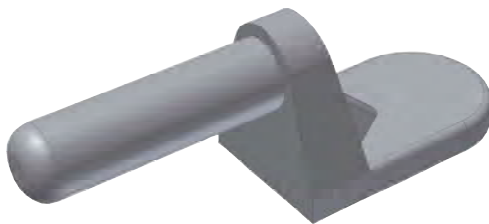


Perno rialzato Ø16

Pin Ø16

Art. 15060158

0,290 kg



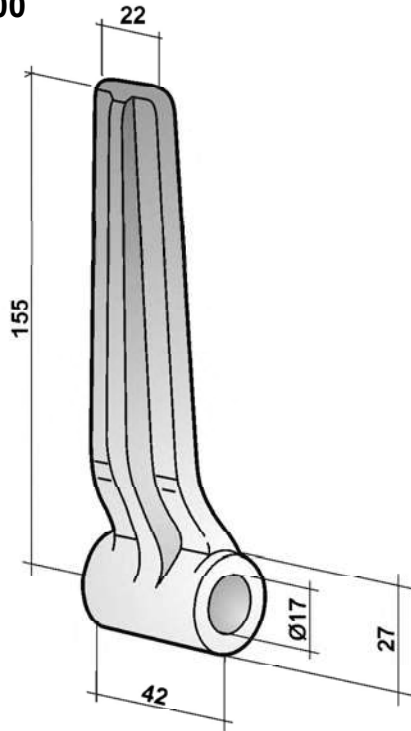


Cerniera grezza tipo Salerno Ø 17

Raw Salerno hinge Ø 17

Art. 15050100

0,370 kg

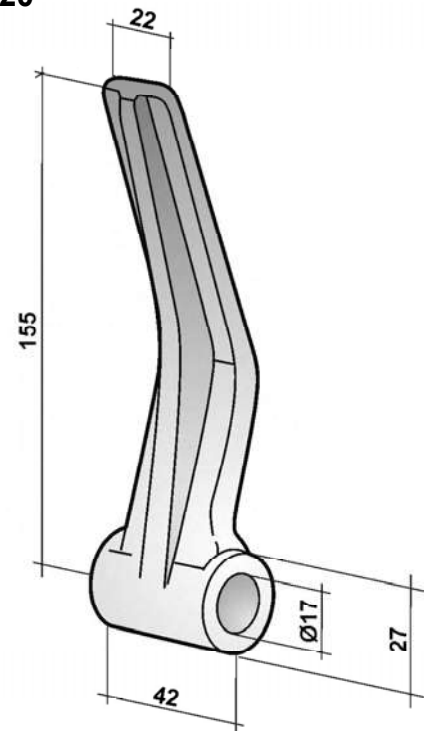


Cerniera grezza tipo Lazio Ø 17

Raw Lazio hinge Ø 17

Art. 15050120

0,370 kg

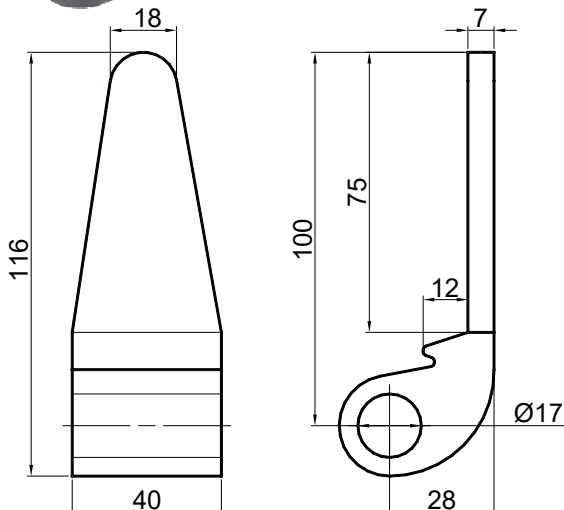
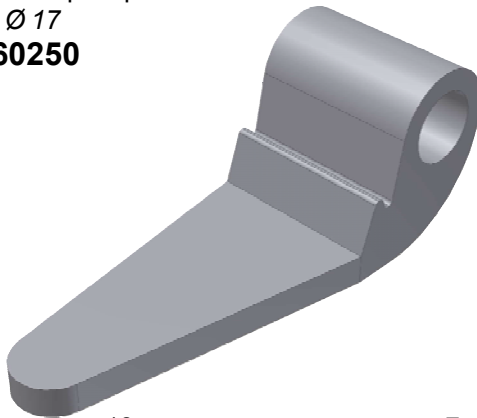


Cerniera grezza per sponde in ferro Ø 17

Raw hinge Ø 17

Art. 15060250

0,330 kg

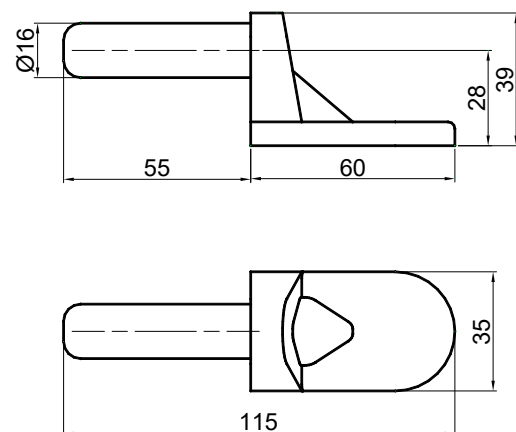
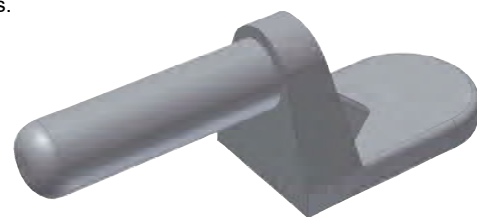


Perno rialzato grezzo Ø 16

Raw pin Ø 16

Art. 15060158

0,290 kg



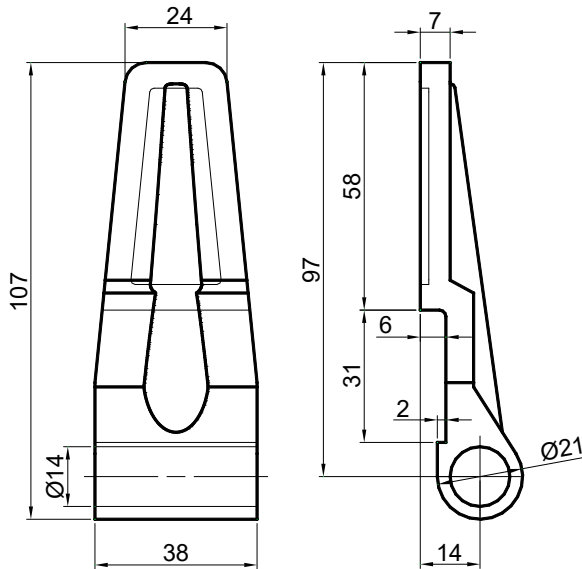


Cerniera sponda bordino media grezza Ø14

Raw medium hinge Ø14

Art. 15263318/1

0,220 kg

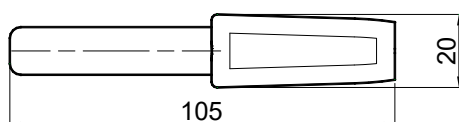
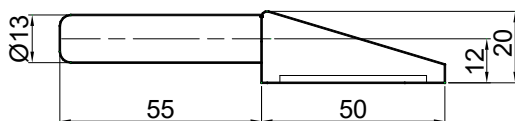


Perno grezzo Ø13

Raw pin Ø13

Art. 15263315

0,155 kg

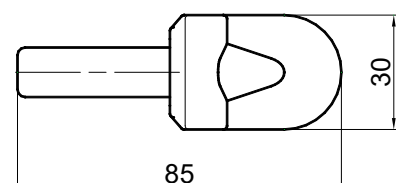
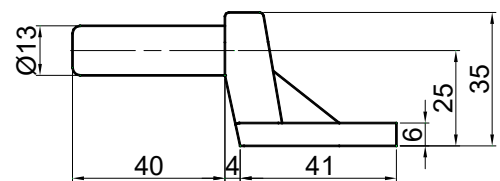
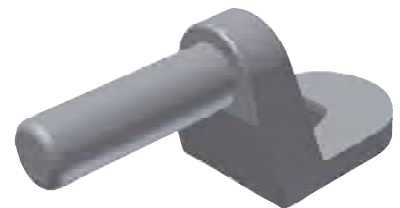


Perno grezzo Ø13

Raw pin Ø13

Art. 15060150

0,290 kg

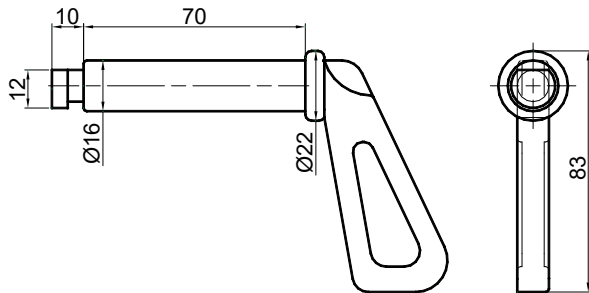




Maniglia stopped grezza
Raw stopped handle

Art. 15163352

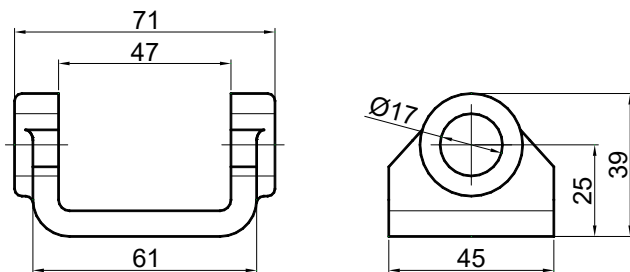
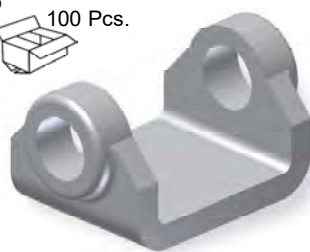
0,260 kg



Supporto basso grezzo H=25
Rae low support H=25

Art. 15016100

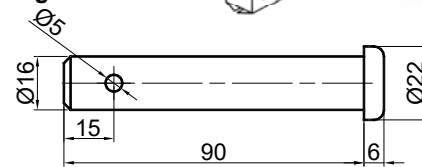
0,240 kg



Perno grezzo Ø16 con foro
Raw pin Ø16 with hole

Art. 15016200

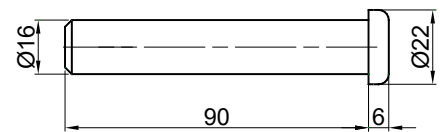
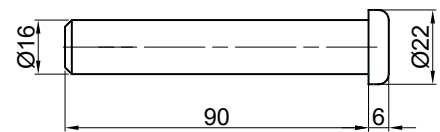
0,150 kg



Perno grezzo Ø16 senza foro
Raw pin Ø16 without hole

Art. 15016201

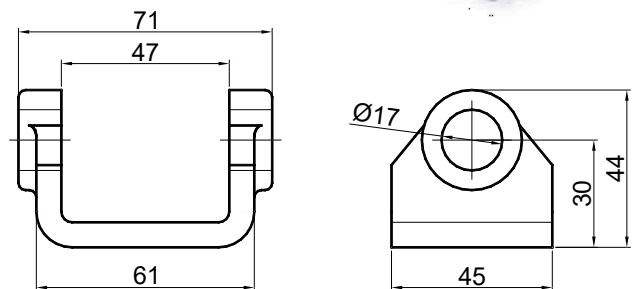
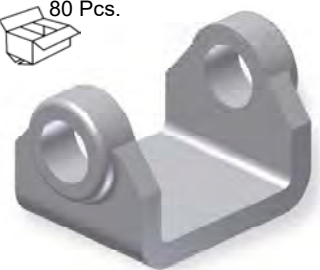
0,160 kg



Supporto alto grezzo H=30
Raw high support H=30

Art. 15016104

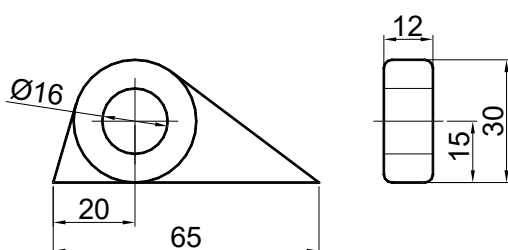
0,270 kg



Orecchietta pesante grezza
Raw heavy ear

Art. 15016112

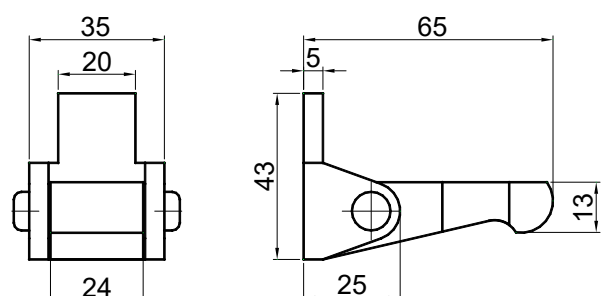
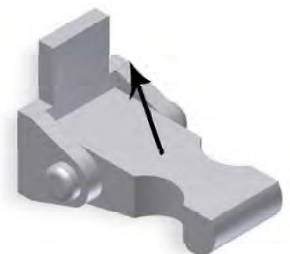
0,085 kg



Saltarello ferma leva grezzo
Raw click

Art. 15016221

0,215 kg





KOUTSOFTA
BROS.

A&G KOUTSOFTA BROS LTD

23 Markou Drakou, Dasaki Achnas, Cyprus

koutsoftabros@cytanet.com.cy

Tel: +357 24722500

Doppio anello di fermo chiusure grezzo

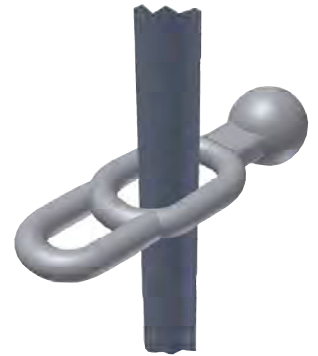
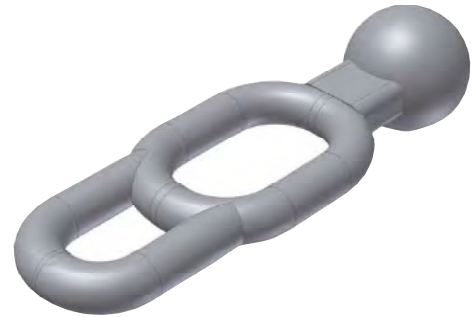
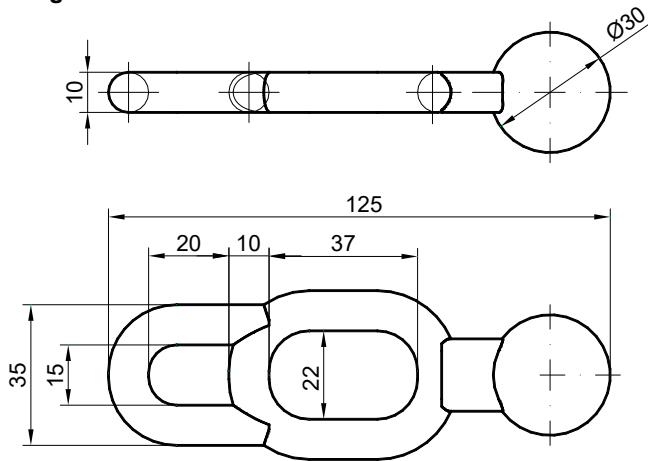
Raw hinges twin stop ring

Art. 15014100

0,255 kg



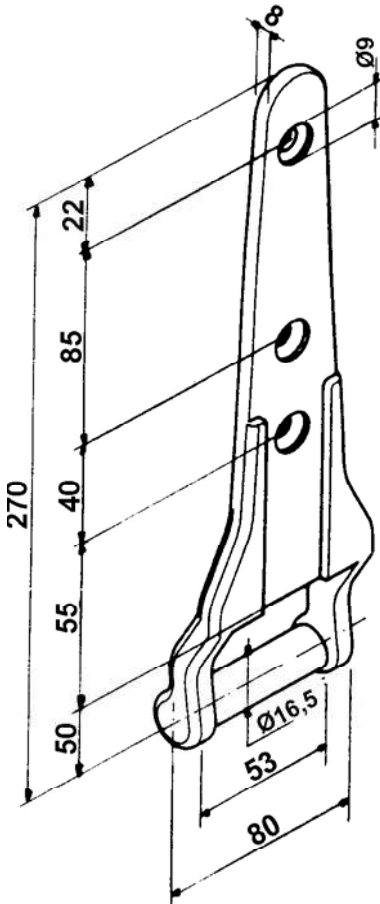
100 Pcs.





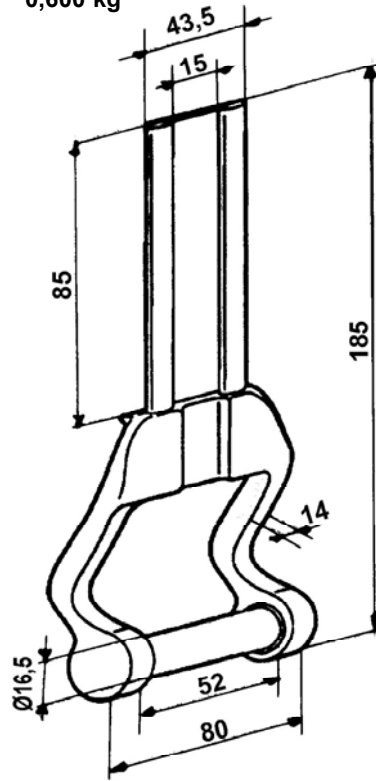
Cerniera zincata
Zinc plated hinge
Art. 15310145
0,760 kg

50 Pcs.



Cerniera grezza
Raw hinge
Art. 15160000
0,600 kg

50 Pcs.



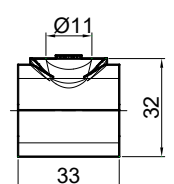
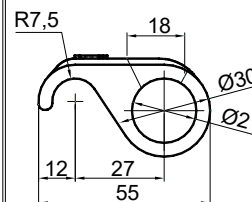
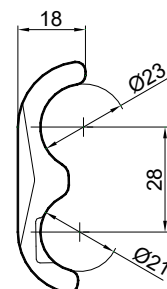
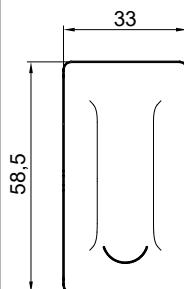
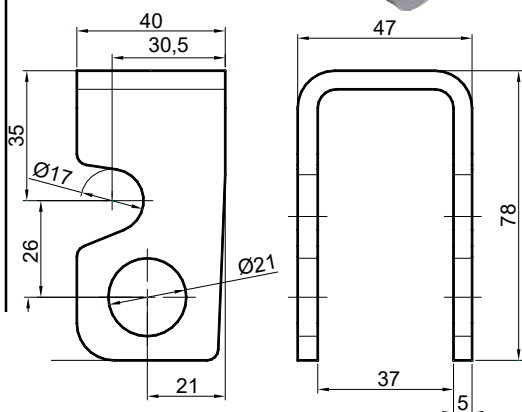
Supporto grezzo
Heavy raw Support
Art. 15162820
0,220 kg



Paletta grezza
Raw Locking plate
Art. 15162800
0,100 kg



Paletta grezza pesante
Heavy raw Locking plate
Art. 15162810
0,140 kg



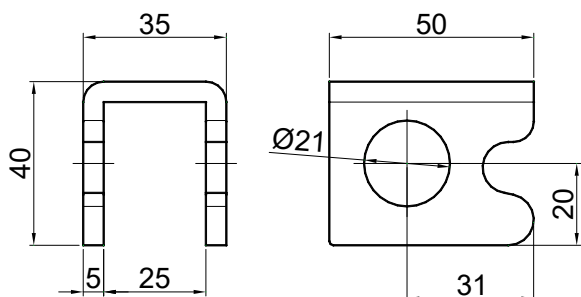


Supporto tipo RAO

Support RAO type

Art. 15310163 Grezzo - Raw

Art. 15310165 Inox - Stainless steel
0,160 kg

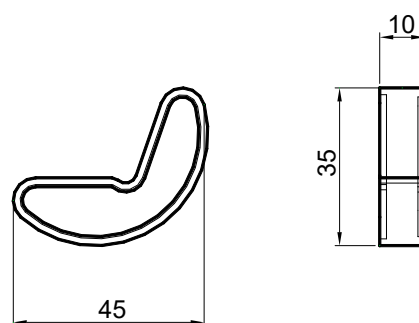
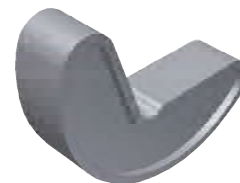


Paletta tipo RAO

RAO type locking plate

Art. 15310164 Grezzo - Raw

Art. 15310166 Inox - Stainless steel
0,055 kg

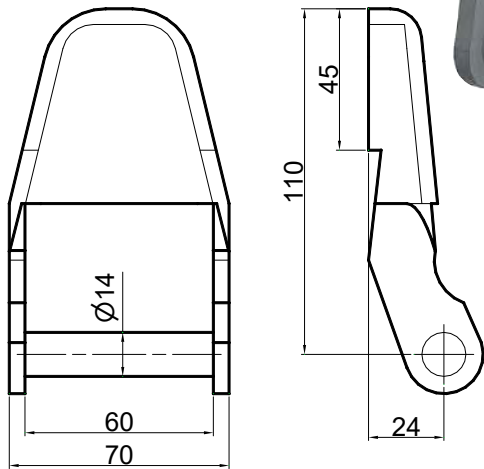




Cerniera grezza chiusa tipo RAS
Raw lock hinge RAS type

Art. 15263386

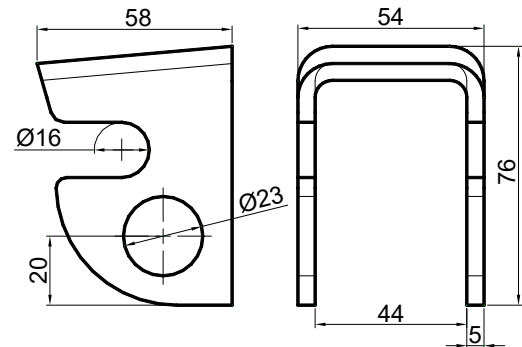
0,340 kg



Supporto grezzo tipo RAS
Raw support RAS type

Art. 15263372

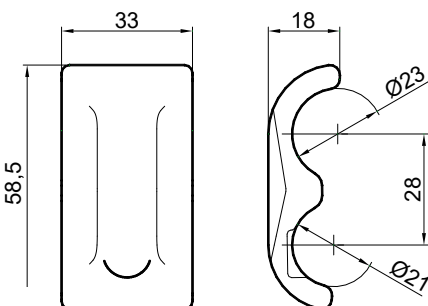
0,280 kg



Paletta pesante grezza
Raw heavy locking plate

Art. 15162800

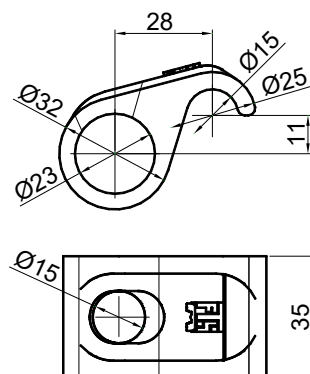
0,100 kg



Paletta grezza
Raw locking plate

Art. 15162830

0,160 kg

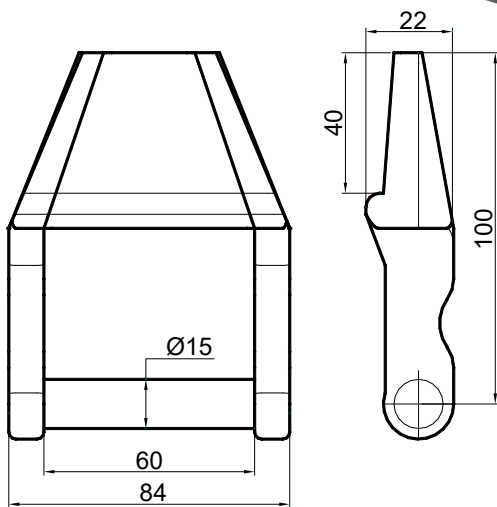




Cerniera grezza doppia apertura
Raw hinge double opening

Art. 15162720

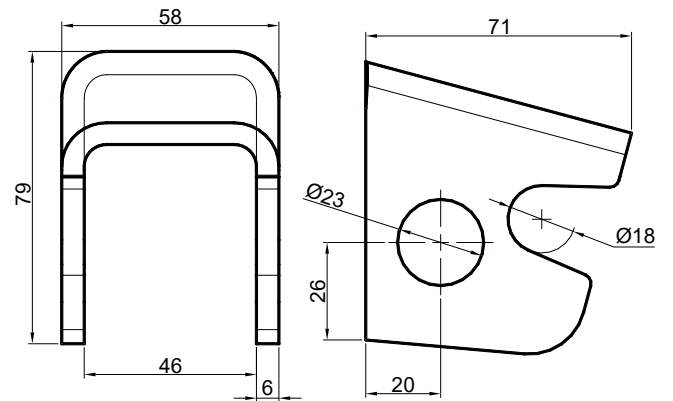
0,500 kg



Supporto grezzo
Raw support

Art. 15162760

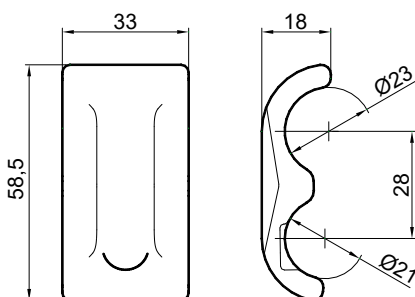
0,460 kg



Paletta grezza
Raw Locking plate

Art. 15162800

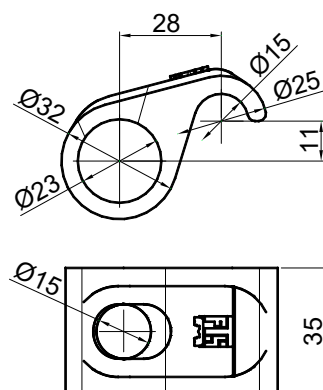
0,100 kg



Paletta grezza
Raw locking plate

Art. 15162830

0,160 kg

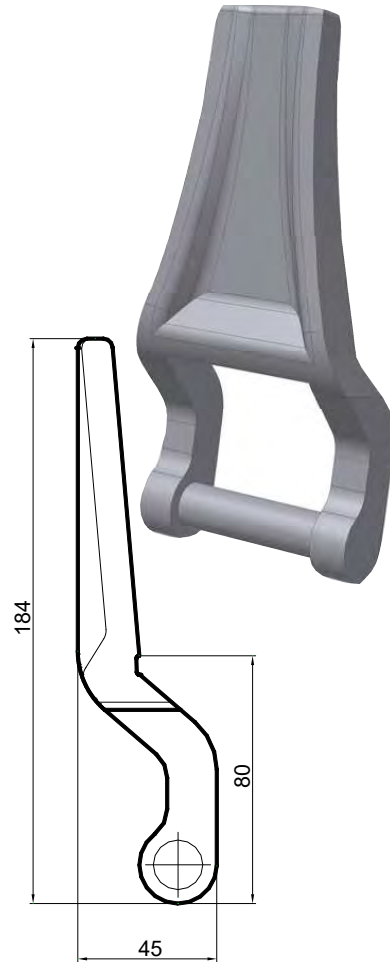
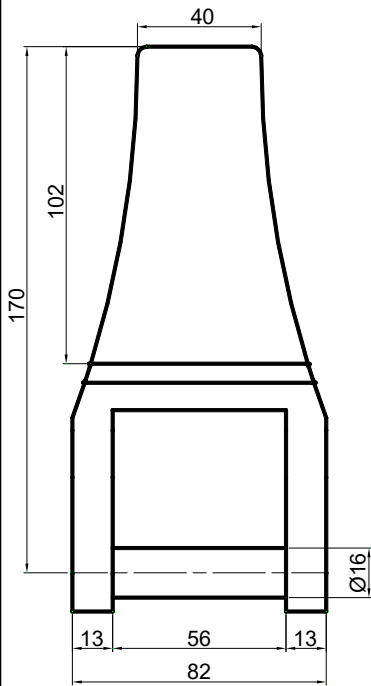




Cerniera doppia apertura grezza
Raw hinge double opening

Art. 15162840

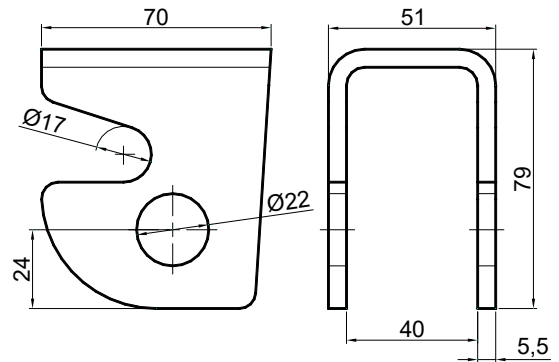
0,900 kg



Supporto grezzo
Raw support

Art. 15162880

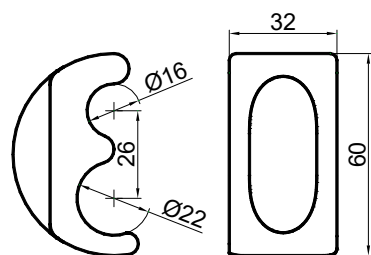
0,480 kg



Paletta grezza
Raw Locking plate

Art. 15162920

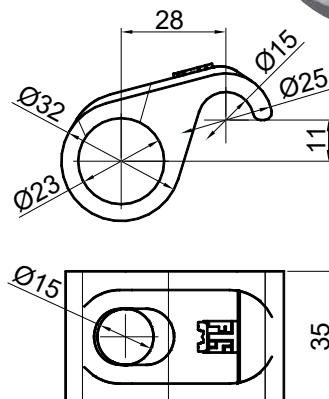
0,195 kg



Paletta grezza
Raw Locking plate

Art. 15162830

0,160 kg



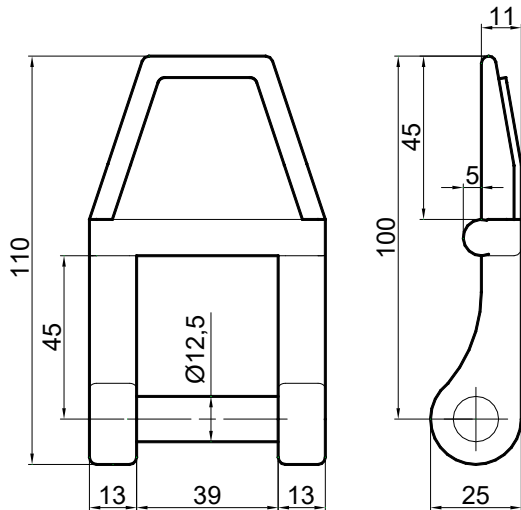


Cerniera grezza per sponde in ferro

Three way sideboards raw hinge

Art. 15163720

0,410 kg

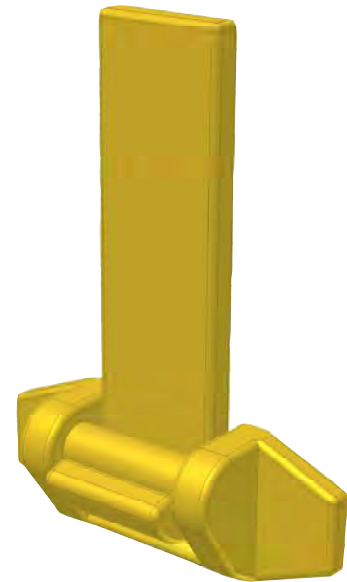
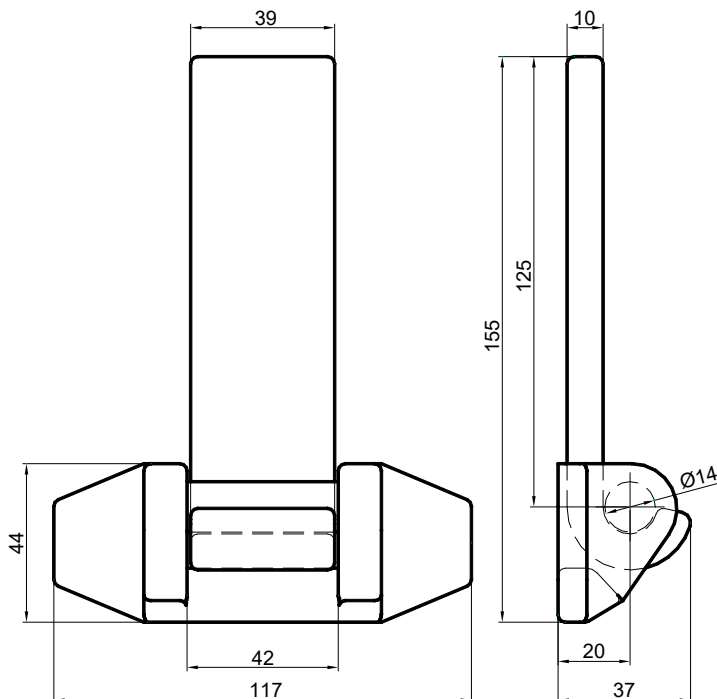


Cerniera registrabile a saldare con gancio

Adjustable hinge

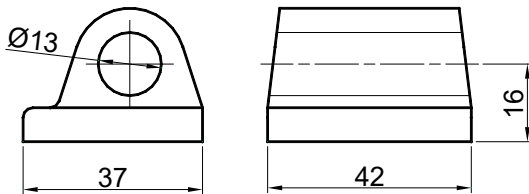
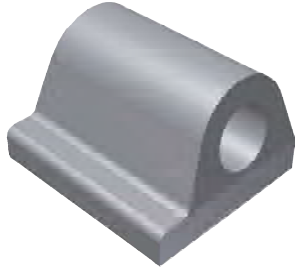
Art. 15162220

0,800 kg

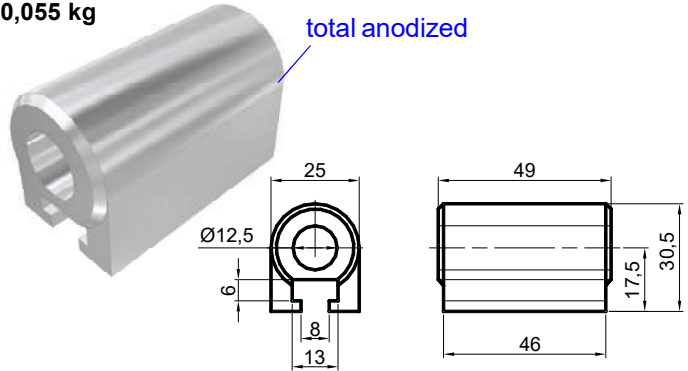




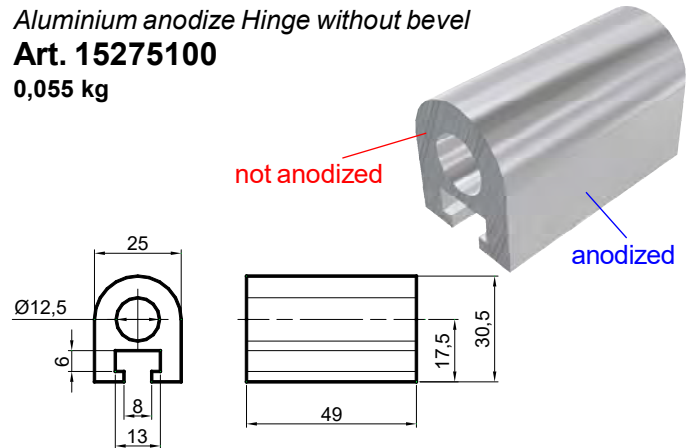
Cerniera grezza
Forged Hinge raw
Art. 15274100
0,160 kg



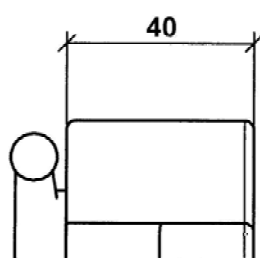
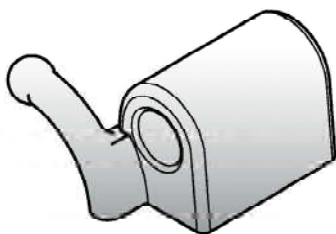
Cerniera in alluminio anodizzata con smusso
Aluminium anodize Hinge with bevel
Art. 15275101
0,055 kg



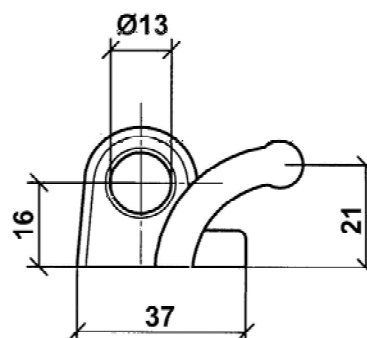
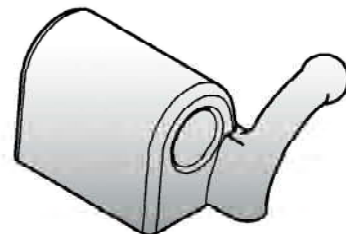
Cerniera in alluminio anodizzata senza smusso
Aluminium anodize Hinge without bevel
Art. 15275100
0,055 kg



Cerniera sinistra grezza con gancio
Left Hinge raw with hook
Art. 15274102
0,200 kg



Cerniera destra grezza con gancio
Right Hinge raw with hook
Art. 15274101
0,200 kg

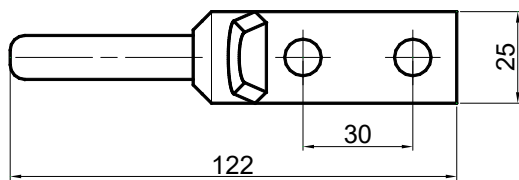
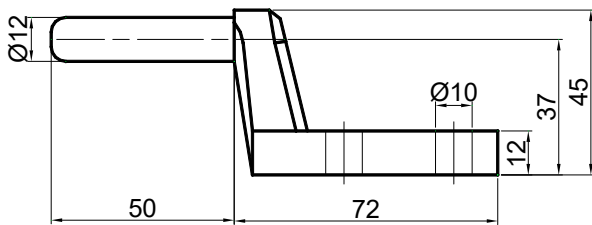
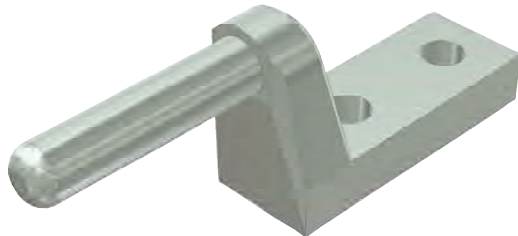




Perno zincato Ø 12
Galvanized pin Ø 12

Art. 15272110

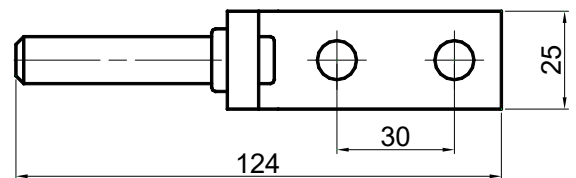
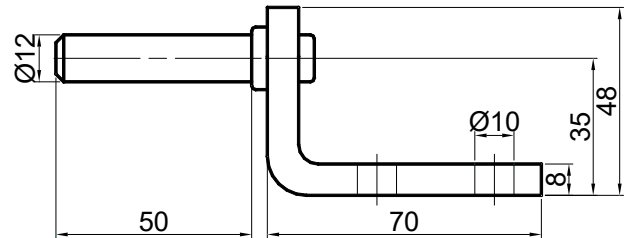
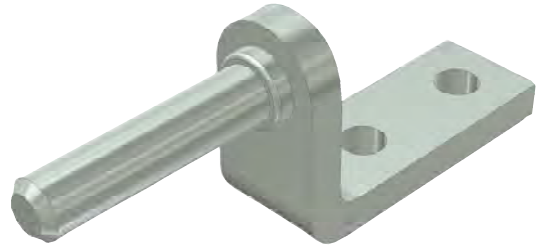
0,220 kg



Perno lamiera stampata zincata Ø 12
Galvanized stamped plate pin Ø 12

Art. 15276110

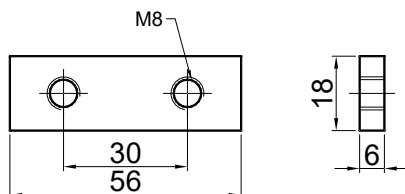
0,200 kg



Piastrina zincata interasse 30
Galvanized plate interaxes 30

Art. 15270110

0,040 kg



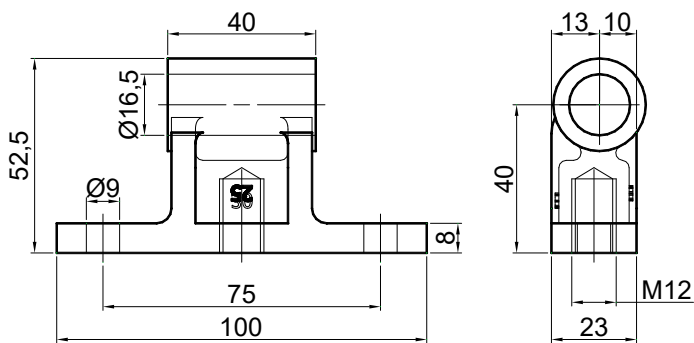


Cerniera tipo 25/30 zincata
Zinc plated hinge type 25/30

Art. 15306110

0,280 kg

70 Pcs.

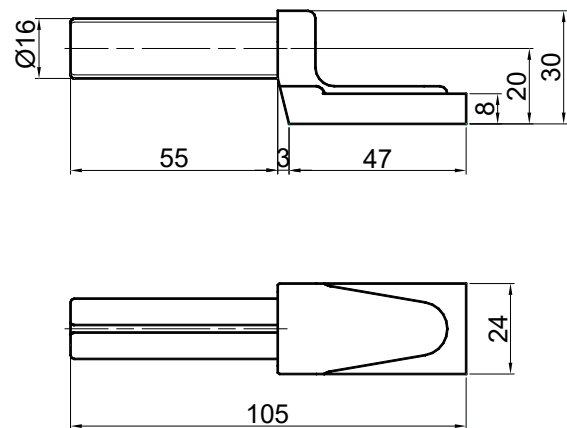
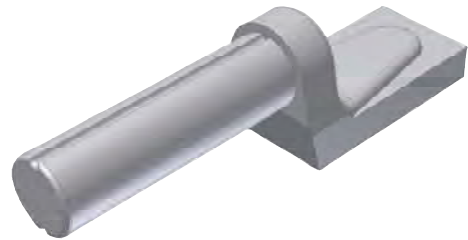


Perno grezzo Ø16

Raw sideboard pin Ø16

Art. 20122100

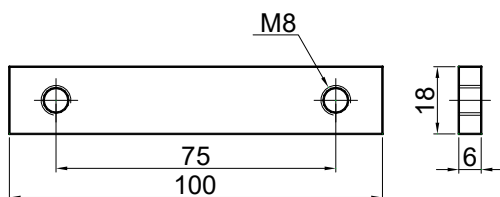
0,190 kg



Piastrina zincata interasse 75
Zinc plated plate interaxes 75

Art. 15307110

0,070 kg



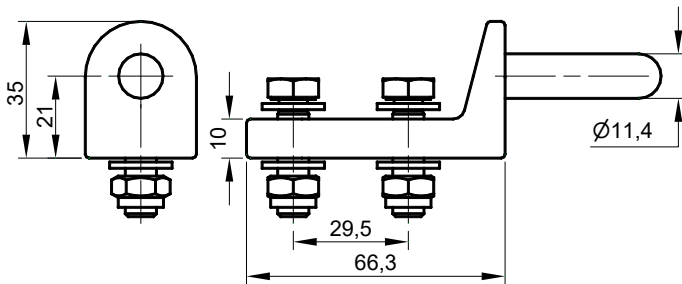
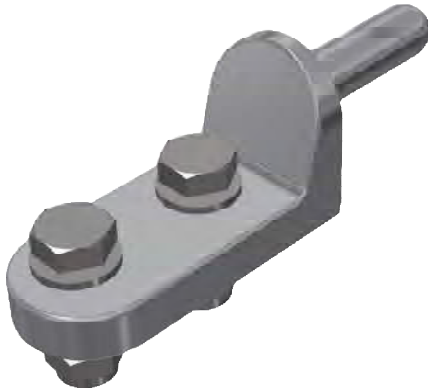


Perno KIT zincato
Zinc plated KIT Pin

Art. 20125110

0,260 kg

Completo di 2 Bulloni 4 Rondelle 2 Dadi Autobloccanti
Complete with 2 Bolts 4 Washers 2 Nyloc Nuts

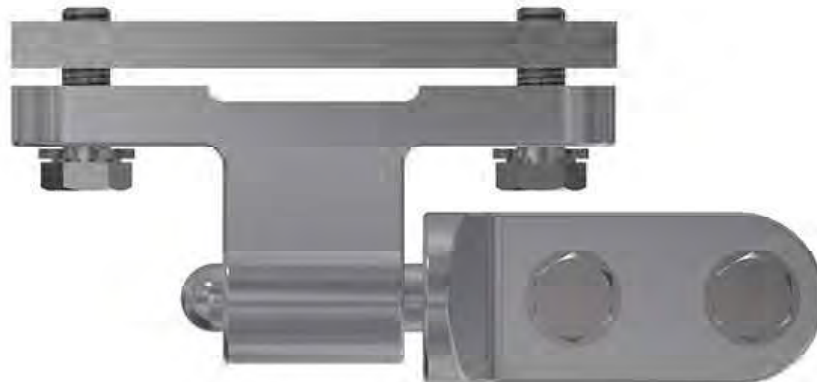
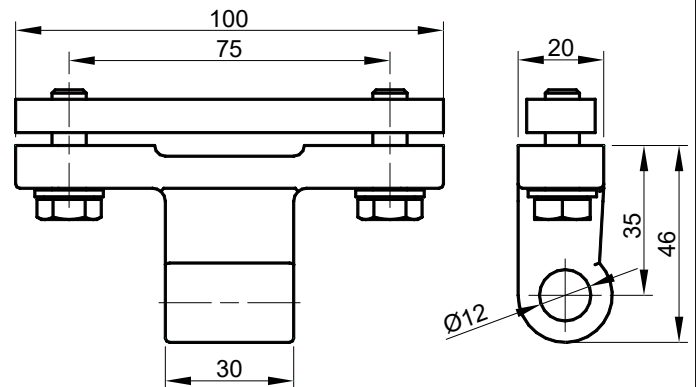


Cerniera KIT zincata
Zinc plated KIT Hinge

Art. 15305110

0,390 kg

Completo di 2 Bulloni 4 Rondelle 1 Piastrina
Complete with 2 Bolts 4 Washers 1 Plate





Cerniera tipo FTS

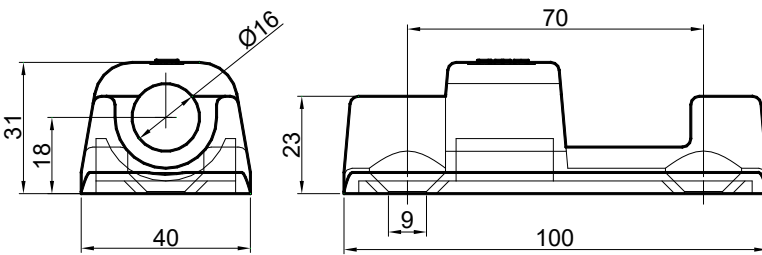
FTS hinge for

Art. 15293100 Grezza - Raw

Art. 15293110 Zincata / Zinc plated

Art. 15293310 Dacromet

0,300 kg

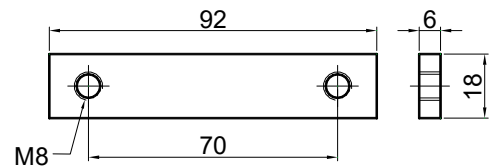
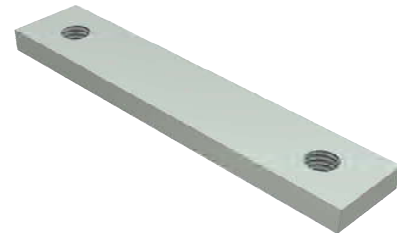


Piastrina zincata interasse 70

Zinc plated plate interaxes 70

Art. 15278110

0,076 kg



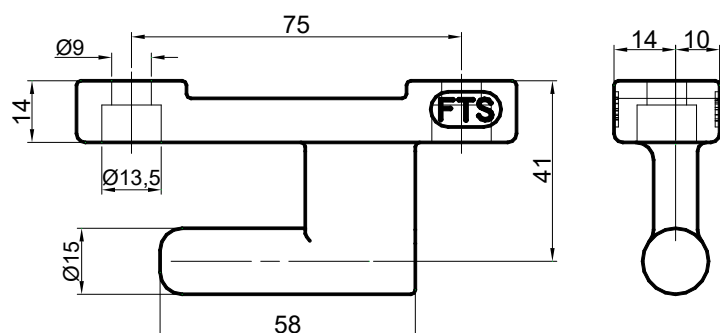
Perno tipo FTS

FTS pin

Art. 15294110 Zincato - Zinc plated

Art. 15294310 Dacromet

0,340 kg

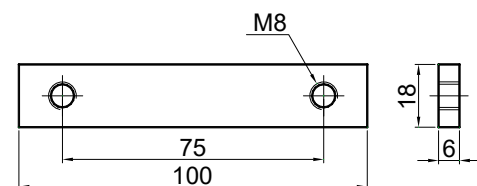
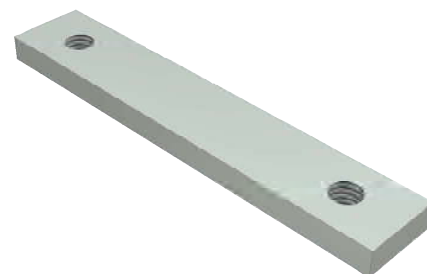


Piastrina zincata interasse 75

Zinc plated plate interaxes 75

Art. 15307110

0,190 kg





Cerniera Tir leggera BM / Light Tir hinge BM

Art. 15282100 Grezza - Raw

Art. 15281110 Zincata - Zinc plated

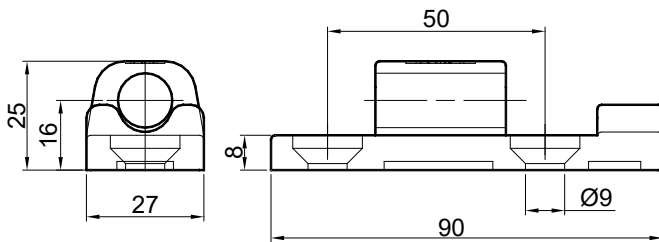
Art. 15281410 Zincata a caldo - Hot Galvanized

Art. 15281600 Zincata AT600 - Zinc plated AT600

Art. 15282310 Inox / Stainless steel

Art. 15281510 Dacromet

0,210 kg

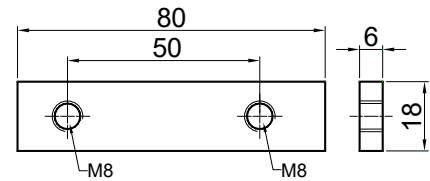


Piastrina zincata interasse 50

Zinc plated plate interaxes 50

Art. 15279110

0,075 kg



Perno BM Tir leggero / Light Tir pin BM

Art. 15280110 Zincato / Zinc plated

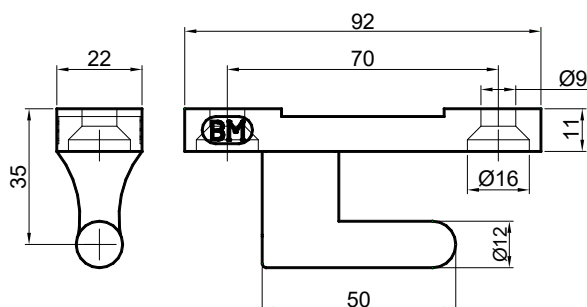
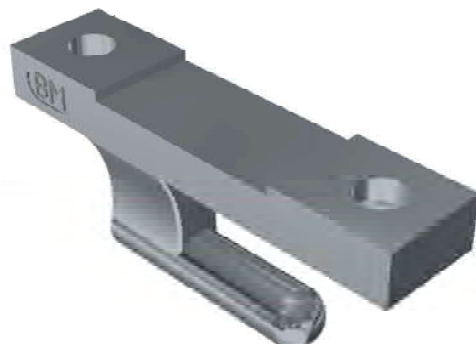
Art. 15280410 Zincato a caldo - Hot Galvanized

Art. 15280600 Zincato AT600 - Zinc plated AT600

Art. 15280310 Inox / Stainless steel

Art. 15280510 Dacromet

0,240 kg

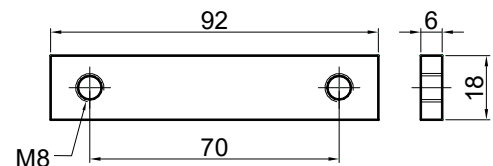
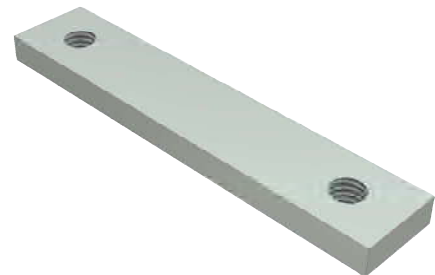


Piastrina zincata interasse 70

Zinc plated plate interaxes 70

Art. 15278110

0,076 kg





Cerniera Tir pesante BM bassa H=16 con fori
Heavy Tir hinge low BM H=16 with fixing holes

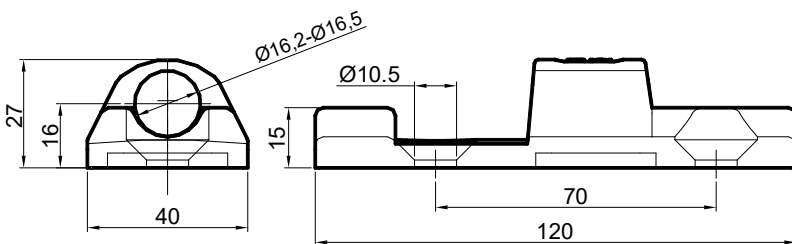
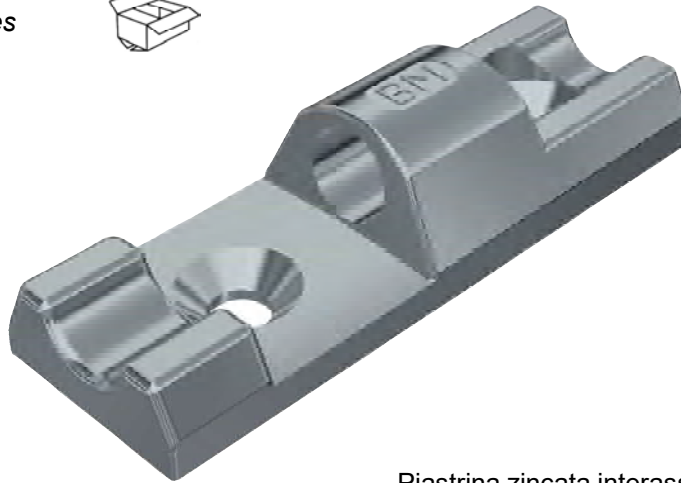


Art. 15292102 Grezza - Raw

Art. 15292103 Zincata - Zinc plated

Art. 15292301 Inox - Stainless steel

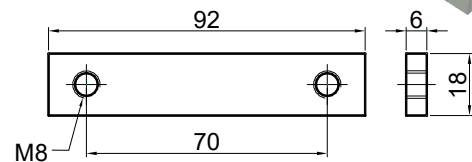
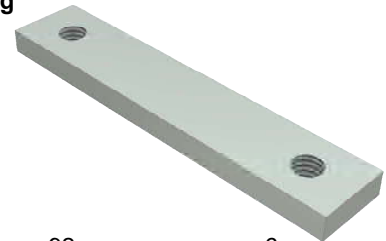
0,400 kg



Piastrina zincata interasse 70
Zinc plated plate interaxes 70

Art. 15278110

0,076 kg



Cerniera Tir pesante BM alta H=20 con fori
Heavy Tir hinge BM high H=20 with fixing holes

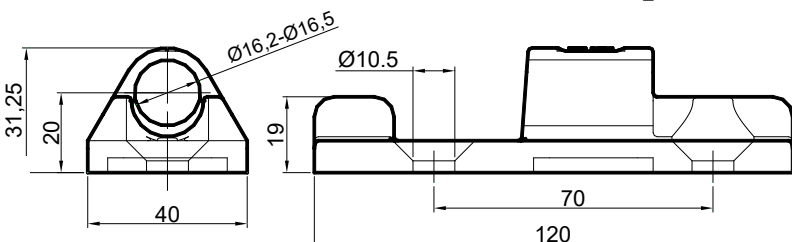


Art. 15292100 Grezza - Raw

Art. 15291110 Zincata - Zinc plated

Art. 15292300 Inox - Stainless steel

0,410 kg





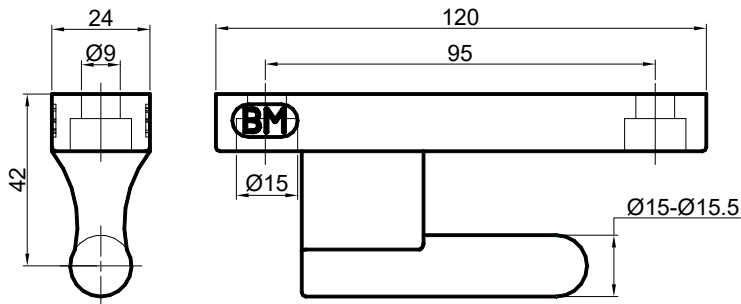
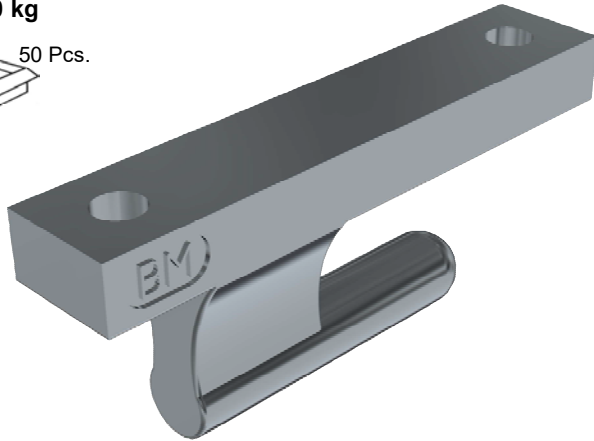
Perno Tir pesante BM / Heavy Tir pin BM

Art. 15290110 Zincato - Zinc plated

Art. 15290600 Zincato AT600 - Zinc plated AT600

Art. 15290310 Inox - Stainless steel

0,410 kg

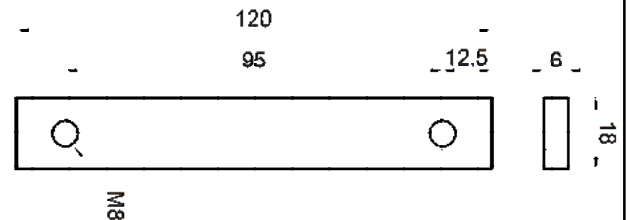
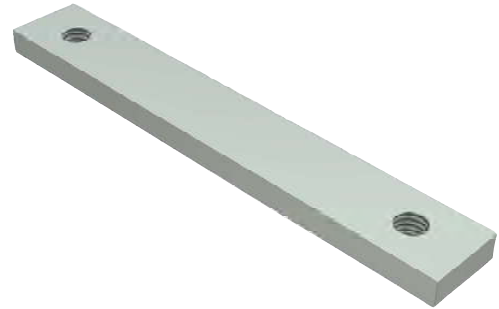


Piastrina zincata interasse 95

Zinc plated plate interaxes 95

Art. 15284110

0,100 kg



**AT 600
CERTIFICATE**

AT600 è un rivestimento liscio ricco di zinco, ricoperto da uno strato di poliuretano, che fornisce una finitura durevole con un'eccezionale resistenza all'abrasione e alla corrosione.

I risultati dopo 600 ore di test con la nebbia salina nessun deterioramento o effetto di abrasione.

AT600 is a smooth zinc-rich coating coated with a polyurethane layer that provides a durable finish with exceptional abrasion and corrosion resistance.

Results after 600 hours of salt spray testing no deterioration or abrasion effect.

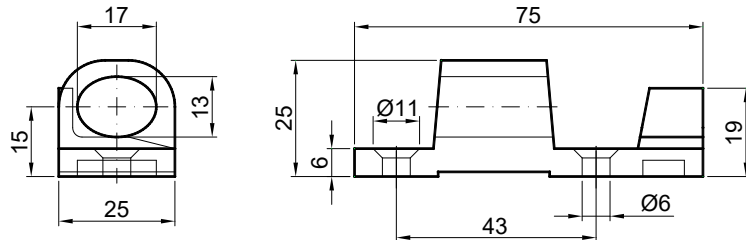


Cerniera H leggera zincata

Zinc plated H light hinge

Art. 15297110

0,124 kg

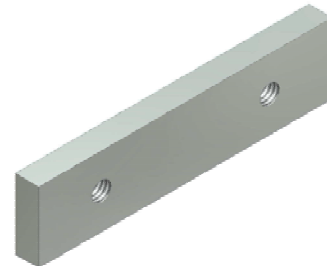
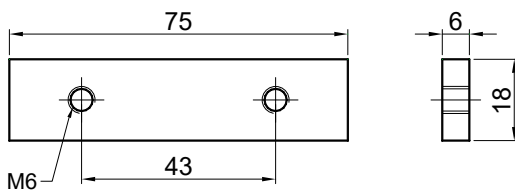


Piastrina zincata interasse 43

Zinc plated plate interaxes 43

Art. 15289110

0,060 kg

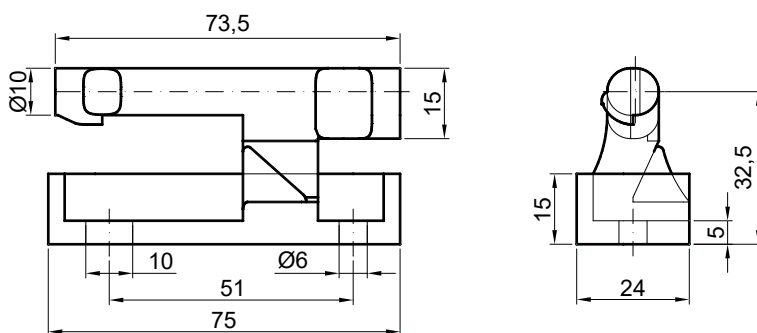


Perno H leggero zincato

Zinc plated H light pin

Art. 15296110

0,190 kg

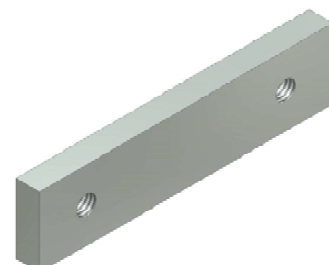
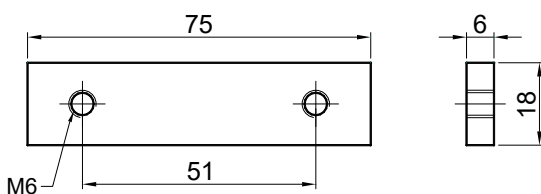


Piastrina zincata interasse 51

Zinc plated plate interaxes 51

Art. 15288110

0,060 kg



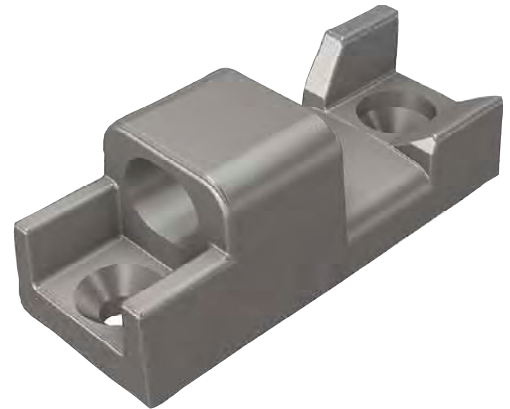
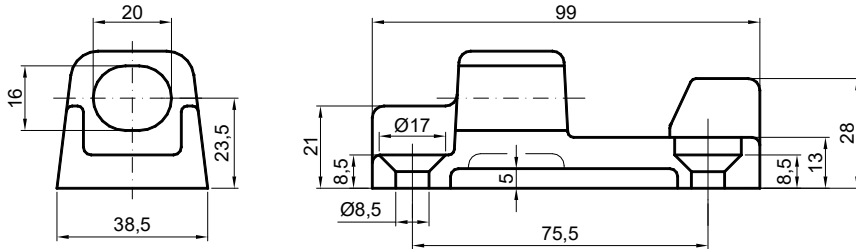


Cerniera H pesante zincata
Zinc plated H heavy hinge



Art. 15295300

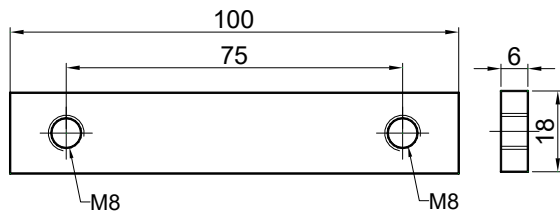
0,353 kg



Piastrina zincata interasse 75
Zinc plated plate interaxes 75

Art. 15307110

0,070 kg

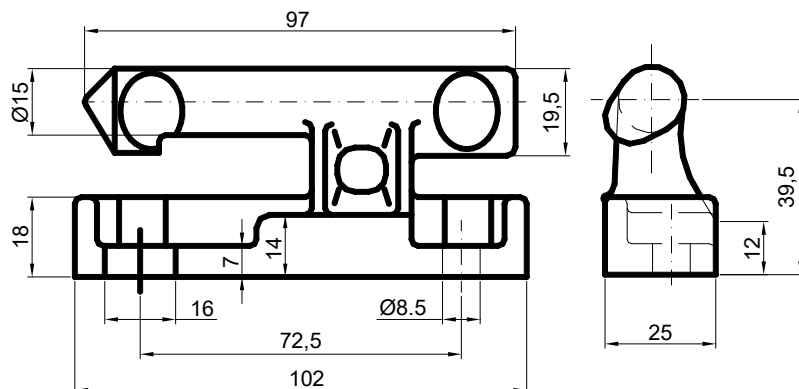


Perno H pesante zincato
Zinc plated H heavy pin



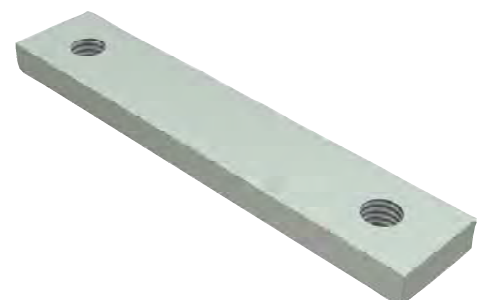
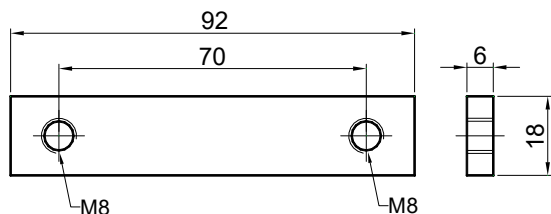
Art. 15295110

0,350 kg



Piastrina zincata Int.70 mm
Galvanized steel sheet Int.70 mm

Art. 15278110 - 0,070 kg





Perno grezzo sinistro

Raw pin left

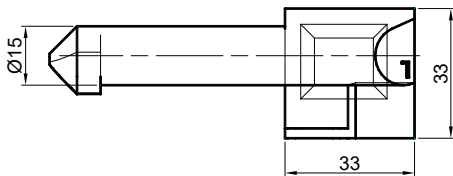
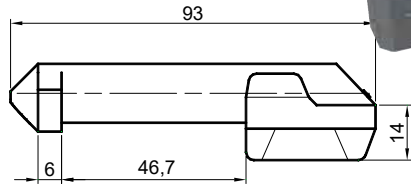
Amschweißbolzed links roh

Art. 11016550 0,210 kg

90 Pcs.



Sx - L

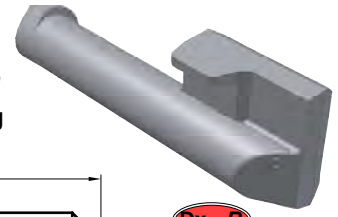


Perno grezzo destro

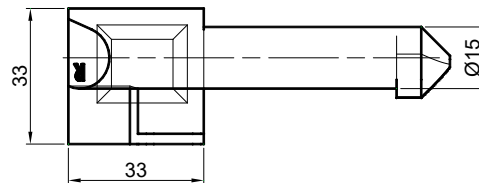
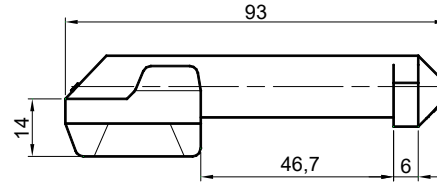
Raw pin right

Amschweißbolzed links roh

Art. 11016551 0,210 kg



Dx - R

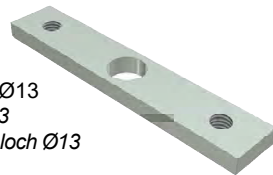


Cerniera zincata con foro M12

Galvanized hinge with M12 hole

Drehlanger verzinkt mit sacklochbohrung 12M

Art. 11065522 0,360 kg

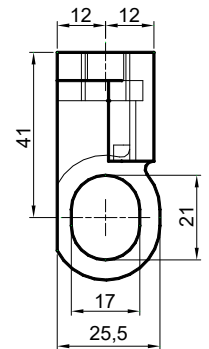
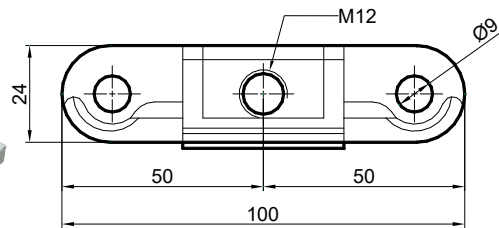
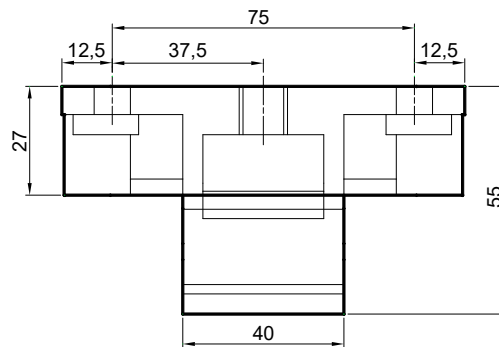


Piastra zincata Int.75 con foro Ø13

Galv. sheet Int.75 with hole Ø13

Gewinde platte verzinkt Int.75 mit loch Ø13

Art. 15308110 0,070 kg



Cerniera zincata

Galvanized hingee

Drehlanger verzinkt

Art. 11065523 0,360 kg

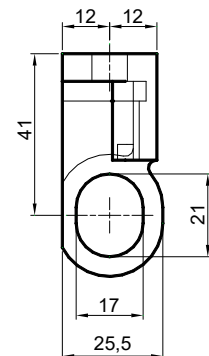
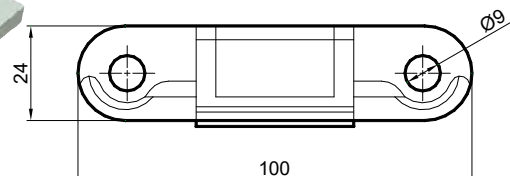
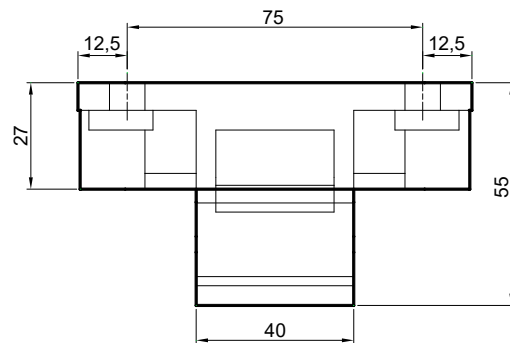


Piastra zincata Int.75

Galv. Steel sheet Int.75

Gewinde platte verzinkt Int.75

Art. 15307110 0,070 kg



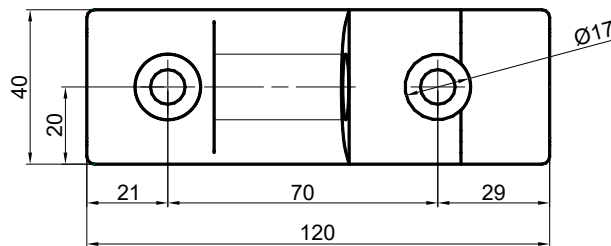
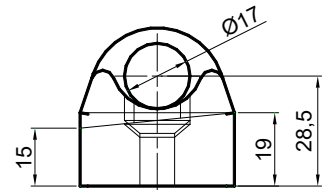
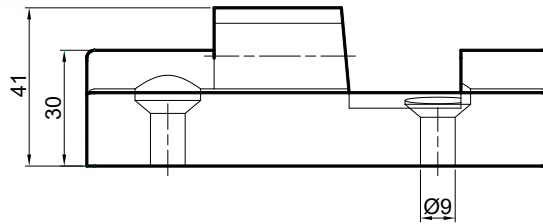
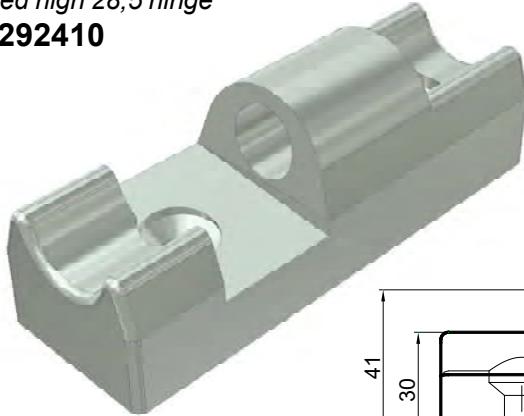


Cerniera zincata alta 28,5

Zinc plated high 28,5 hinge

Art. 15292410

0,700 kg

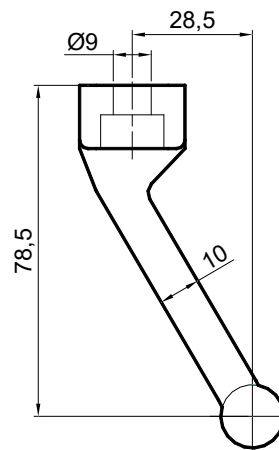
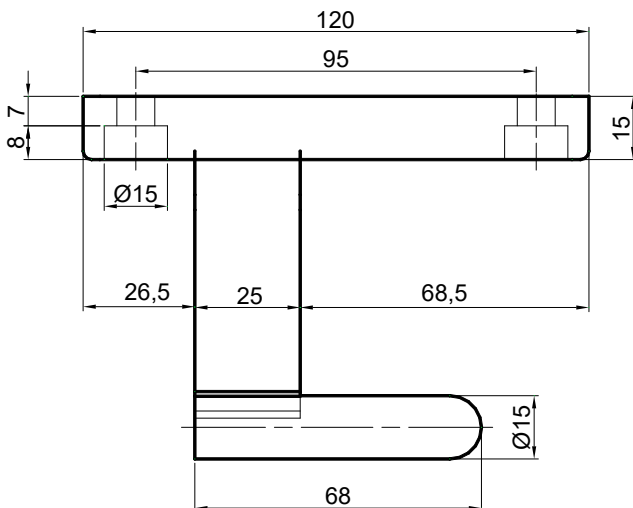
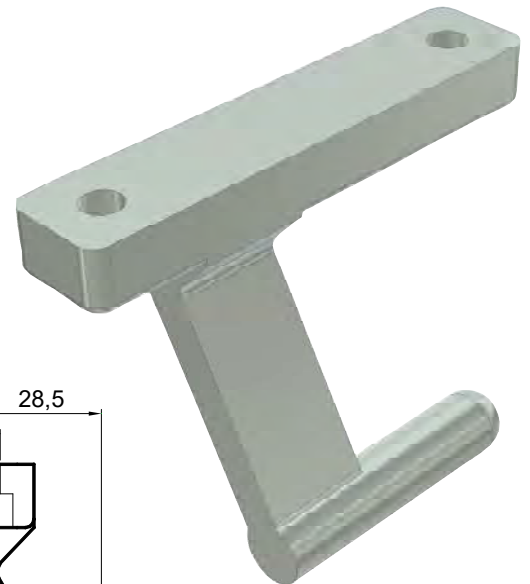


Perno zincato alto 78,5 inclinato

Zinc plated high 78,5 and slanting pin

Art. 15290410

0,550 kg



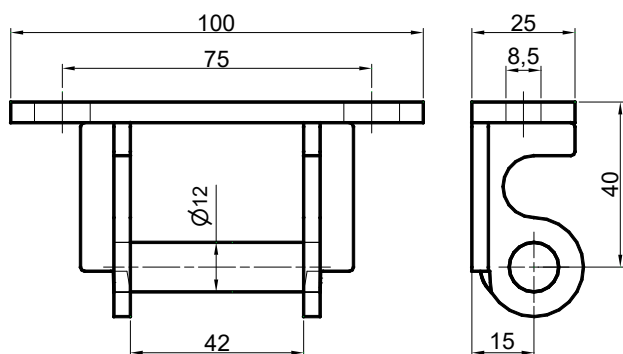


Cerniera in lamiera leggera zincata doppia apertura
Light zinc plated hinge in sheet metal

Art. 15164800

0,200 kg

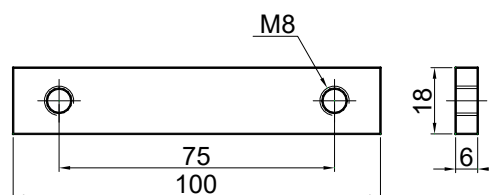
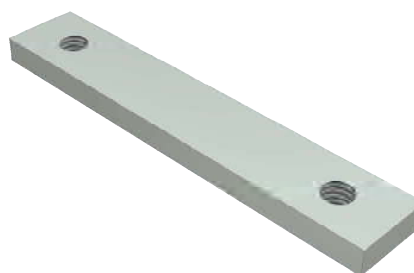
50 Pcs.



Piastrina zincata interasse 75
Zinc plated plate interaxes 75

Art. 15307110

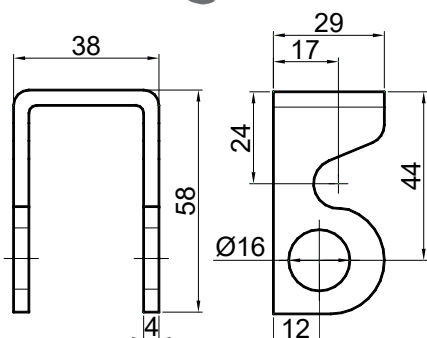
0,080 kg



Supporto grezzo leggero
Raw light support

Art. 15164840

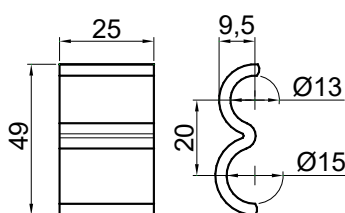
0,100 kg



Paletta leggera grezza
Light raw locking plate

Art. 15164880

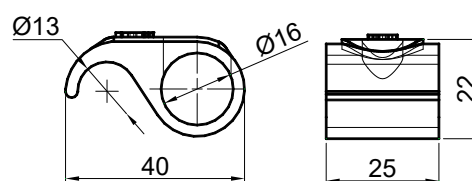
0,080 kg



Paletta grezza leggera
Light raw Locking plate

Art. 15164980

0,060 kg

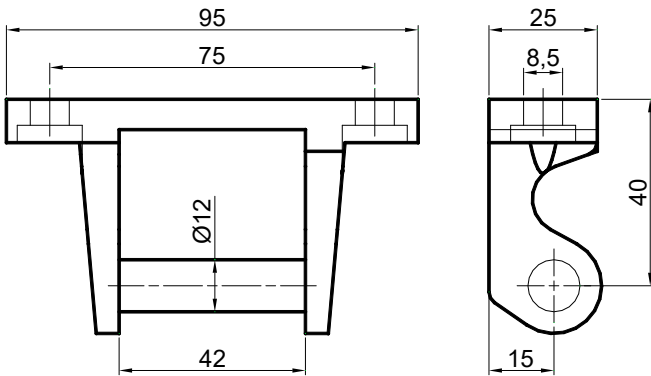




Cerniera in fusione leggera zincata doppia apertura
Light zinc plated Casting zinc plated hinge

Art. 15307120

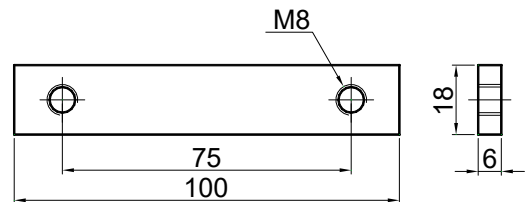
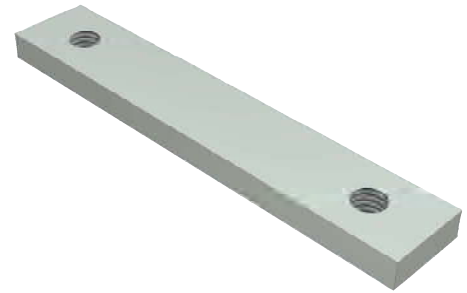
0,210 kg



Piastrina zincata interasse 75
Zinc plated plate interaxes 75

Art. 15307110

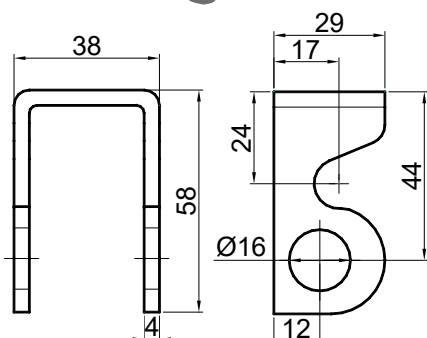
0,190 kg



Supporto grezzo leggero
Raw light support

Art. 15164840

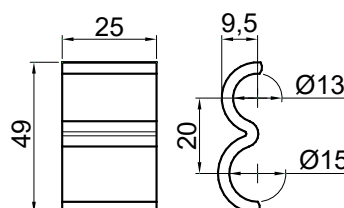
0,100 kg



Paletta leggera grezza
Light raw locking plate

Art. 15164880

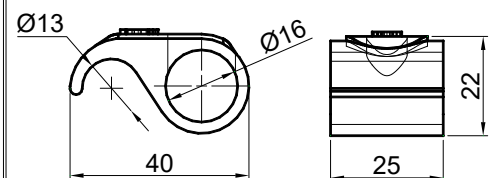
0,080 kg



Paletta grezza leggera
Light raw Locking plate

Art. 15164980

0,060 kg

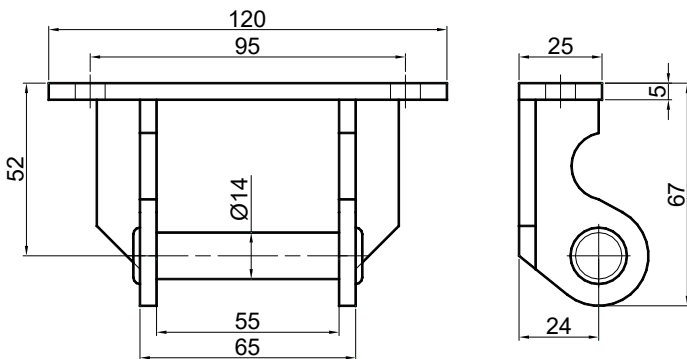




Cerniera in lamiera pesante zincata doppia apertura
Heavy zinc plated hinge in sheet metal

Art. 15165160

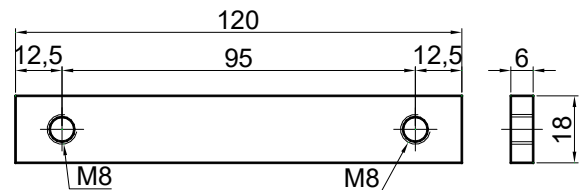
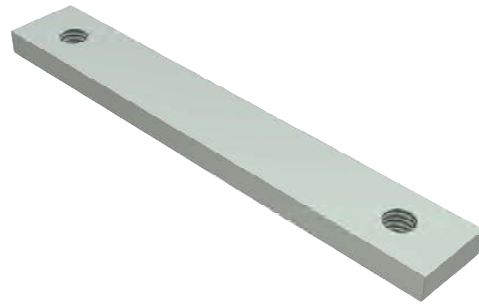
0,300 kg



Piastrina zincata interasse 95
Zinc plated plate interaxes 95

Art. 15284110

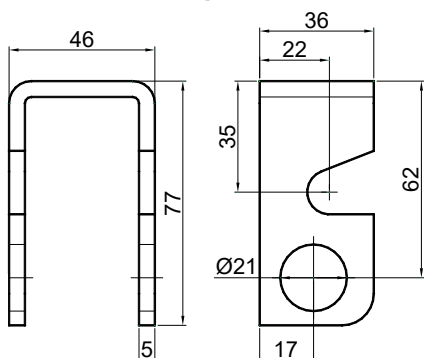
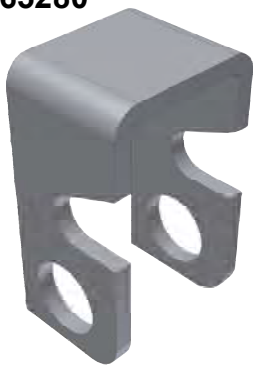
0,100 kg



Supporto grezzo per cerniera pesante
Heavy raw Support

Art. 15165280

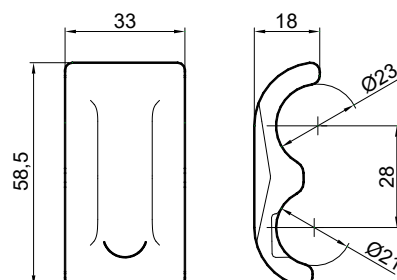
0,230 kg



Paletta pesante grezza
Heavy raw Locking plate

Art. 15162800

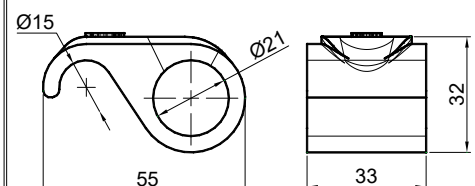
0,100 kg



Paletta grezza pesante
Heavy raw Locking plate

Art. 15162810

0,140 kg



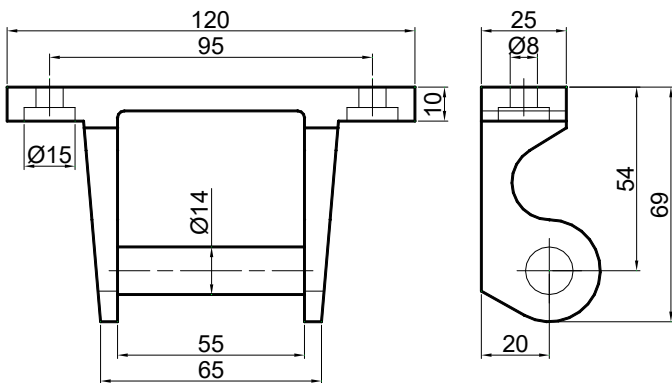


Cerniera in fusione pesante zincata doppia apertura
Heavy zinc plated Casting zinc plated hinge

Art. 15165260

0,360 kg

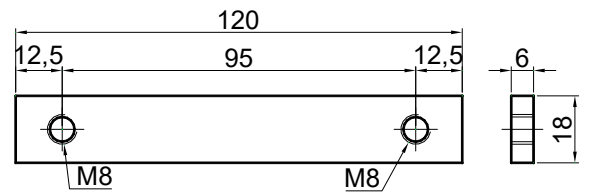
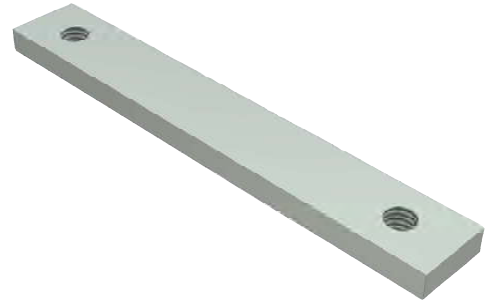
50 Pcs.



Piastrina zincata interasse 95
Zinc plated plate interaxes 95

Art. 15284110

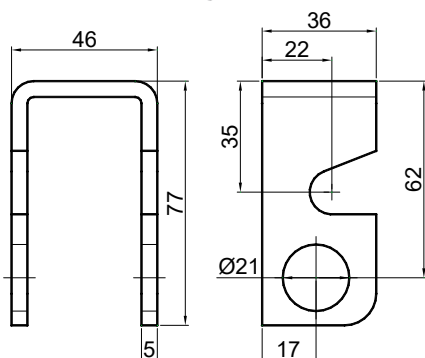
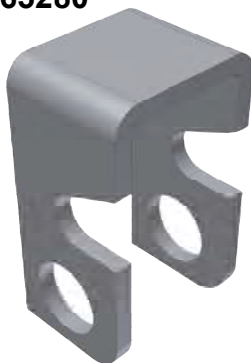
0,100 kg



Supporto grezzo per cerniera pesante
Heavy raw Support

Art. 15165280

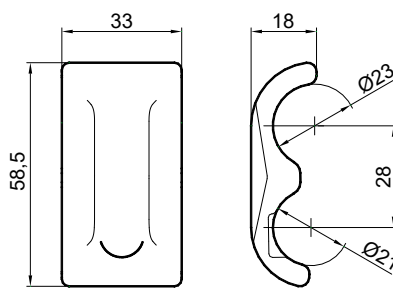
0,230 kg



Paletta pesante grezza
Heavy raw Locking plate

Art. 15162800

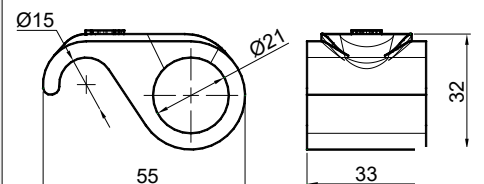
0,100 kg



Paletta grezza pesante
Heavy raw Locking plate

Art. 15162810

0,140 kg



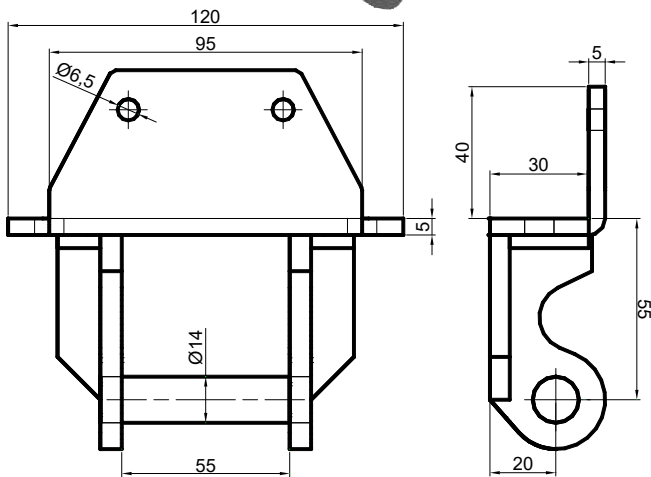
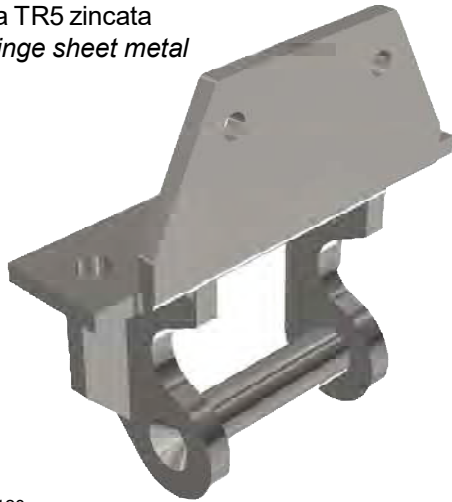


Cerniera in lamiera TR5 zincata
TR5 zinc plated hinge sheet metal

Art. 15165043

0,550 kg

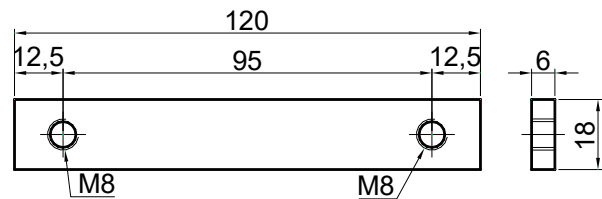
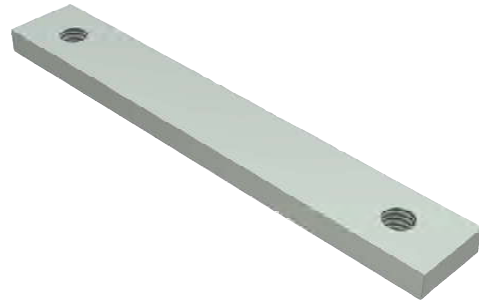
50 Pcs.



Piastrina zincata interasse 95
Zinc plated plate interaxes 95

Art. 15284110

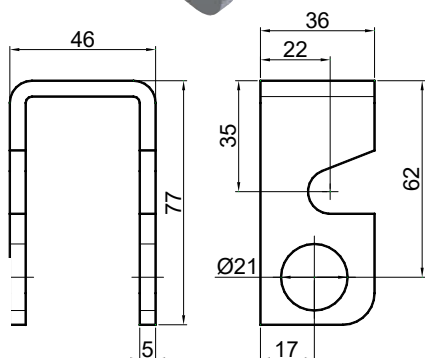
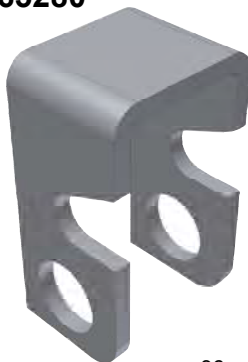
0,100 kg



Supporto grezzo per cerniera pesante
Heavy raw Support

Art. 15165280

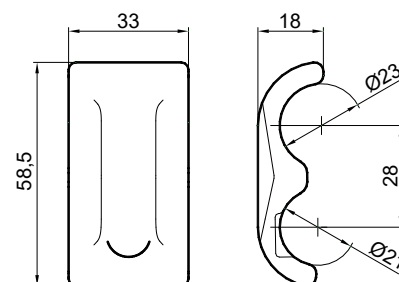
0,230 kg



Paletta pesante grezza
Heavy raw Locking plate

Art. 15162800

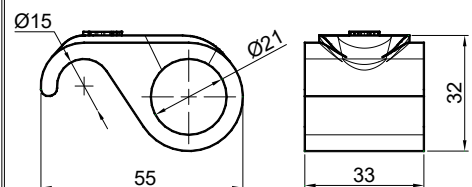
0,100 kg



Paletta grezza pesante
Heavy raw Locking plate

Art. 15162810

0,140 kg

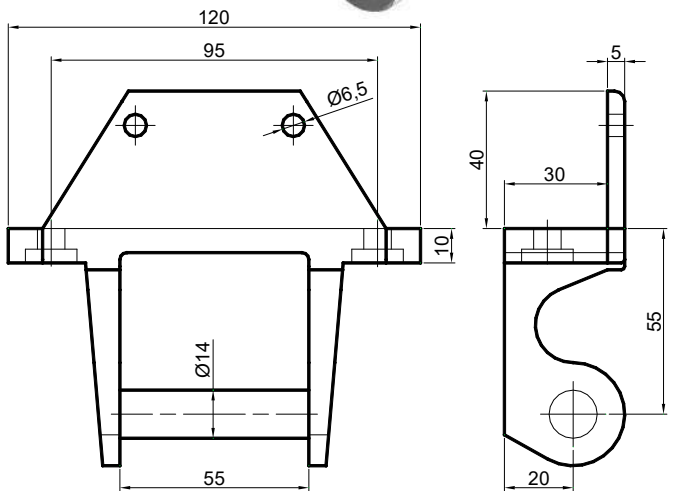




Cerniera in fusione TR5 zincata
TR5 zinc plated hinge casting

Art. 15165043/1

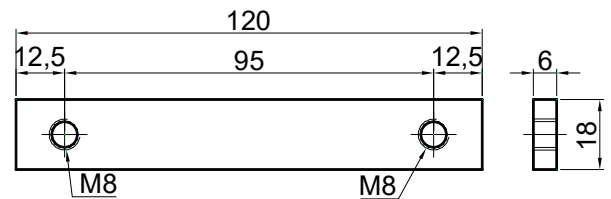
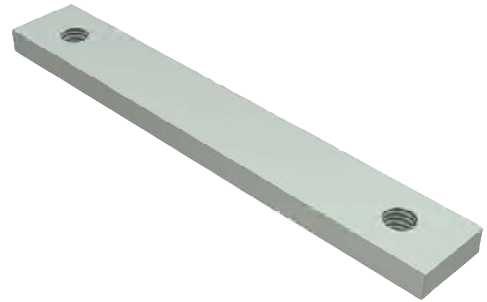
0,550 kg



Piastrina zincata interasse 95
Zinc plated plate interaxes 95

Art. 15284110

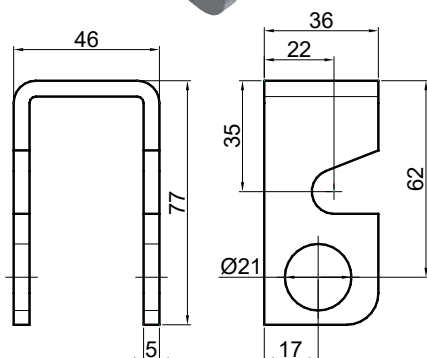
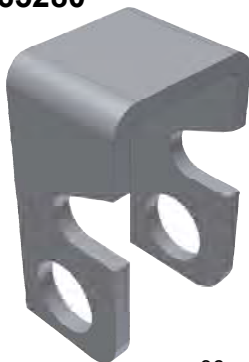
0,100 kg



Supporto grezzo per cerniera pesante
Heavy raw Support

Art. 15165280

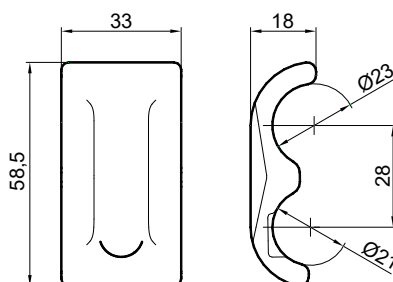
0,230 kg



Paletta pesante grezza
Heavy raw Locking plate

Art. 15162800

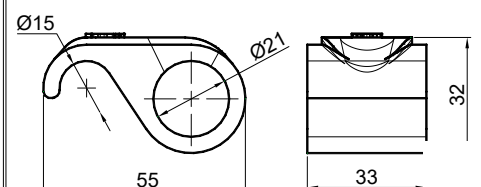
0,100 kg



Paletta grezza pesante
Heavy raw Locking plate

Art. 15162810

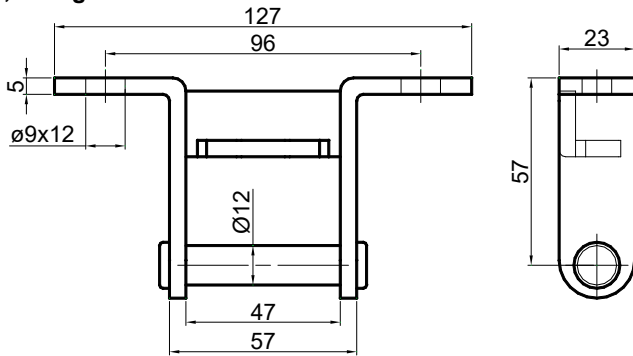
0,140 kg





Cerniera zincata tipo R
Zinc plated hinge R type
Art. 15298110

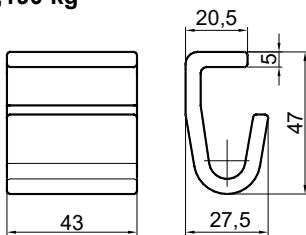
0,260 kg



Scontrino grezzo tipo R
Hook raw R type

Art. 15300100

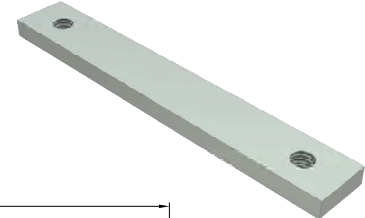
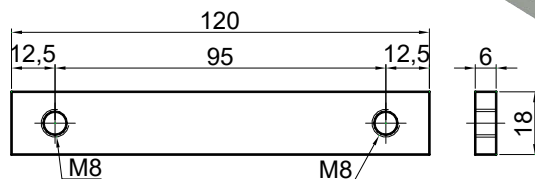
0,190 kg



Piastrina zincata interasse 95
Zinc plated plate interaxes 95

Art. 15284110

0,100 kg

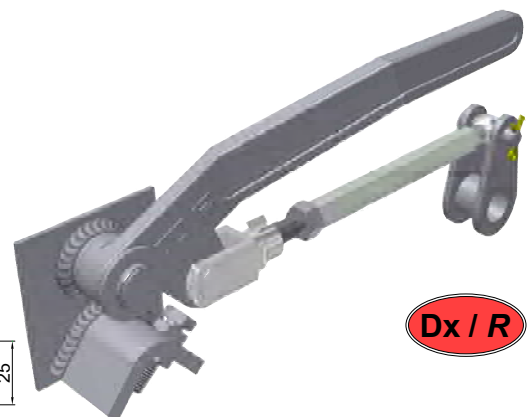
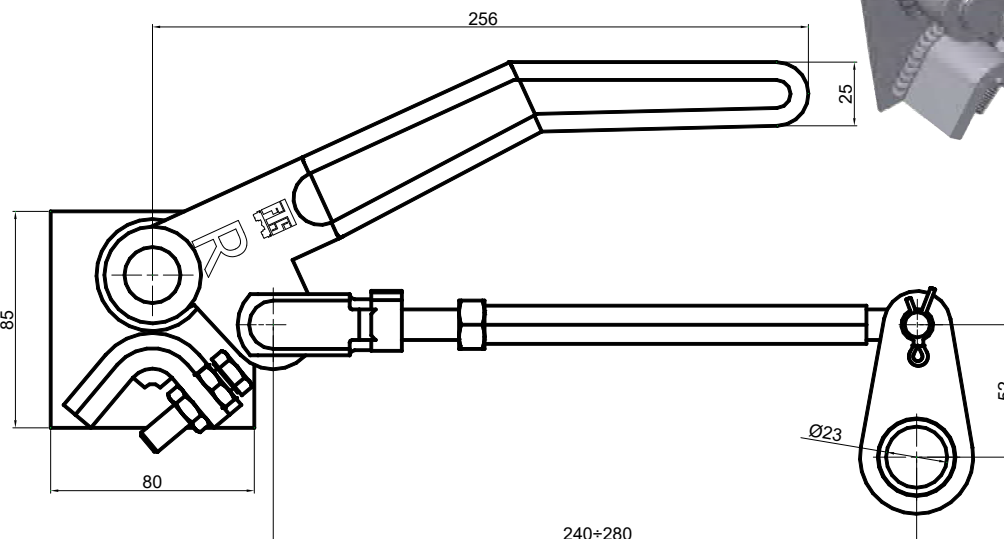


Leva comando apertura cerniere
Opening catch throttle lever

Art. 15012303 Destra - Right

Art. 15012304 Sinistra - Left

2,070 kg

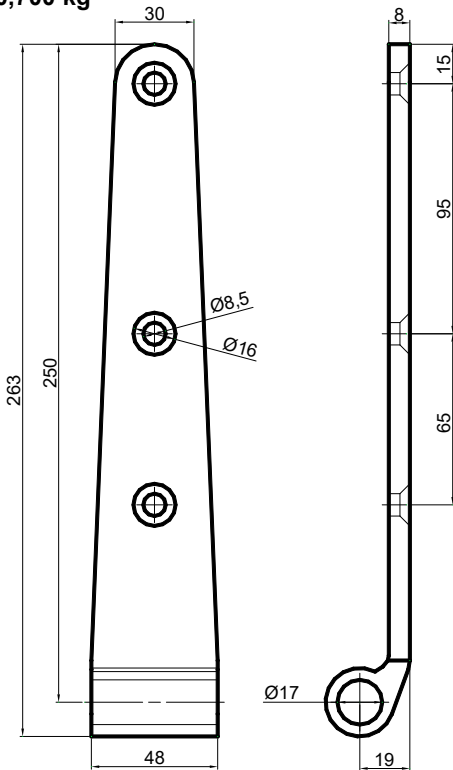




Cerniera zincata con fori
Zinc plated hinge with hole
Art. 15310152

0,700 kg

50 Pcs.



Cerniera zincata senza fori
Zinc plated hinge without hole
Art. 15310151

0,700 kg

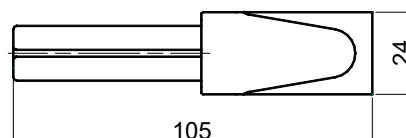
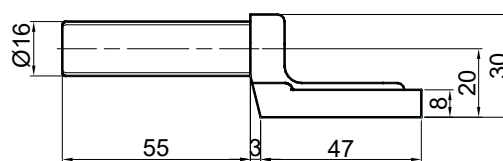
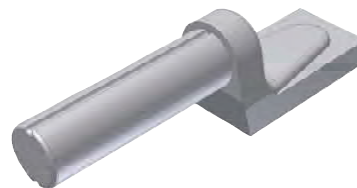
50 Pcs.



Perno forgiato grezzo $\varnothing 16$
Raw sideboard pin $\varnothing 16$
Art. 20122100

0,190 kg

50 Pcs.



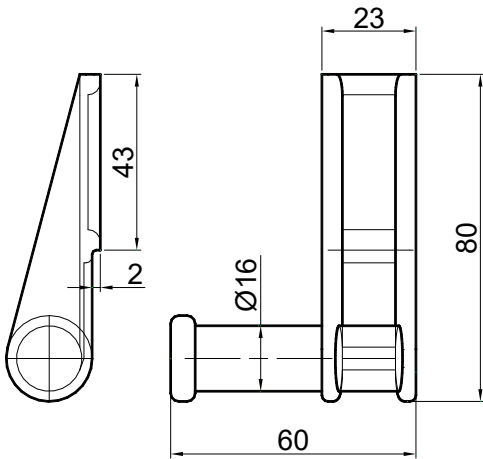


Cerniera posteriore leggera grezza
Raw light hinge back

Art. 15016001 Destro - Right

Art. 15016002 Sinistro - Left

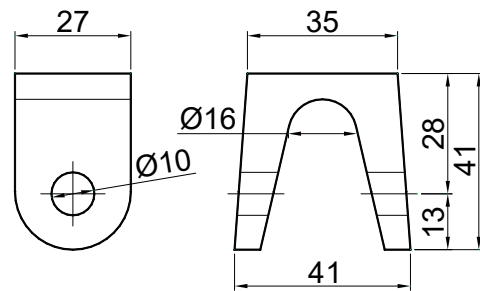
0,210 kg



Supporto grezzo per cerniera posteriore leggera
Raw support for back hinge

Art. 15016004

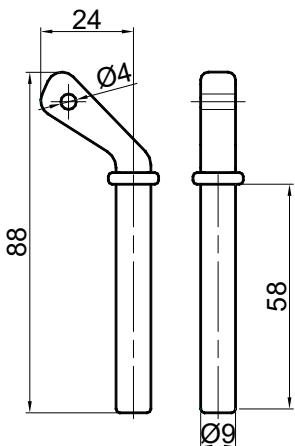
0,150 kg



Spinotto grezzo leggero
Raw light locking pin

Art. 15016008

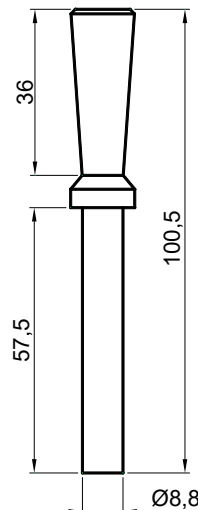
0,050 kg



Spinotto grezzo leggero SP
SP Raw light locking pin

Art. 15016008/SP

0,065 kg



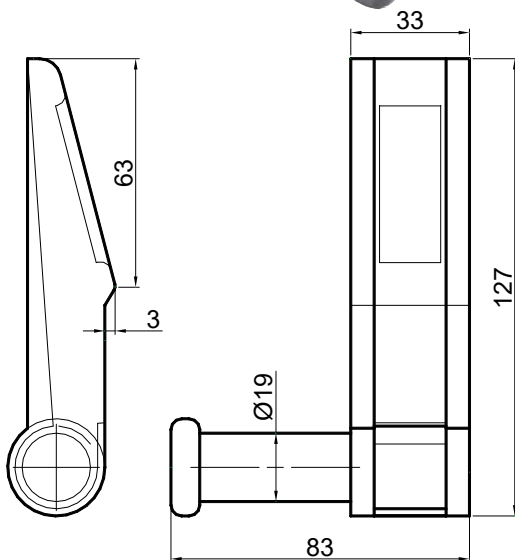


Cerniera grezza posteriore pesante
Raw heavy hinge back

Art. 15016011 Destro - *Right*

Art. 15016012 Sinistro - *Left*

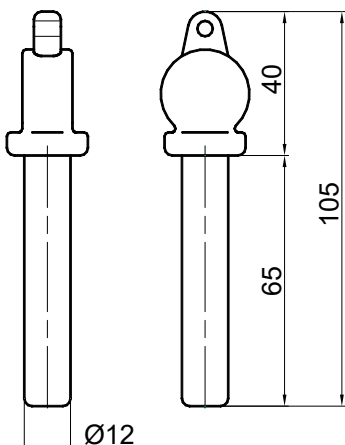
0,550 kg



Spinotto grezzo pesante Ø12
Raw heavy locking pin Ø12

Art. 15016020

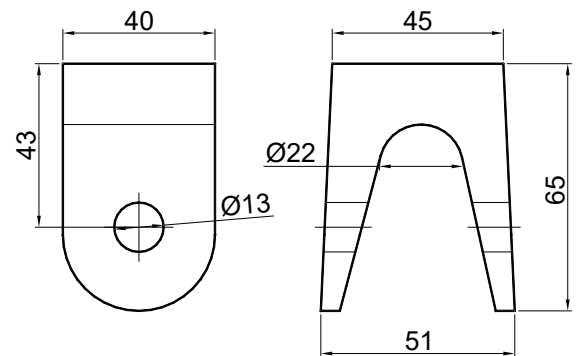
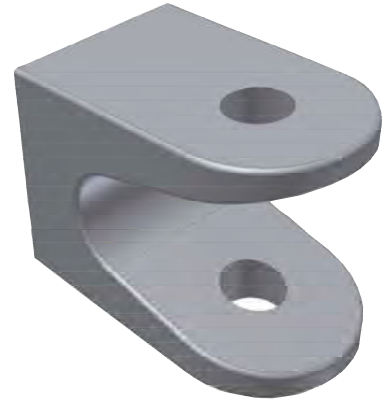
0,450 kg



Supporto grezzo per cerniera posteriore pesante
Raw support for back hinge

Art. 15016016

0,450 kg





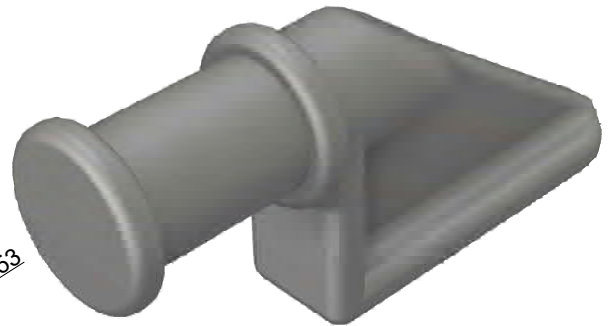
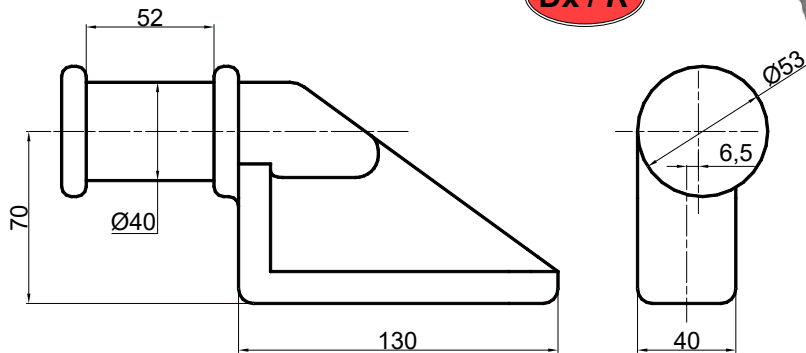
Piantone DUMPER grezzo

Raw DUMPER pillar

Art. 10265100/DX Destro - Right

Art. 10265100/SX Sinistro - Left

2,395 kg

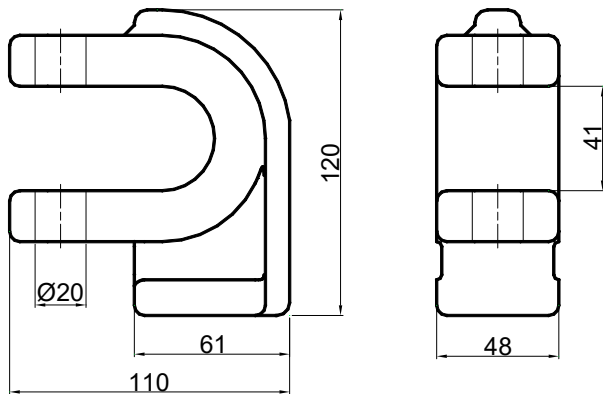


Chiusura DUMPER grezzo

Raw DUMPER lock

Art. 10264100

2,195 kg

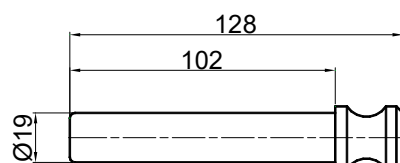
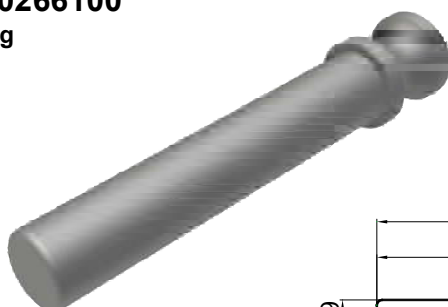


Perno DUMPER grezzo

Raw DUMPER pin

Art. 10266100

0,295 kg



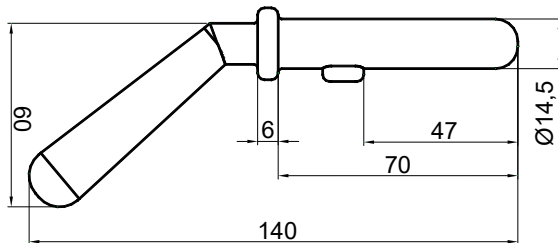


Spina forgiata grezza Ø 14,5

Raw forged pin Ø 14,5

Art. 15016308

0,060 kg

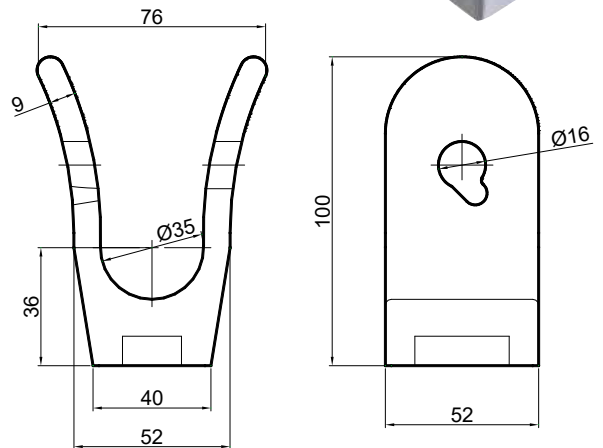


Supporto forgiato grezzo

Raw forged support

Art. 15016316

0,840 kg

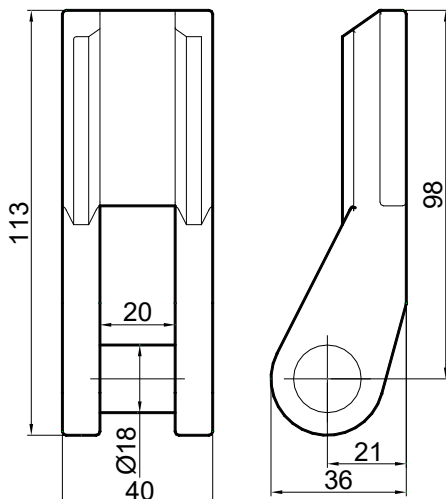


Riscontro saltarello Romanazzi grezzo

Romanazzi raw slip at hinge

Art. 15046292

0,440 kg

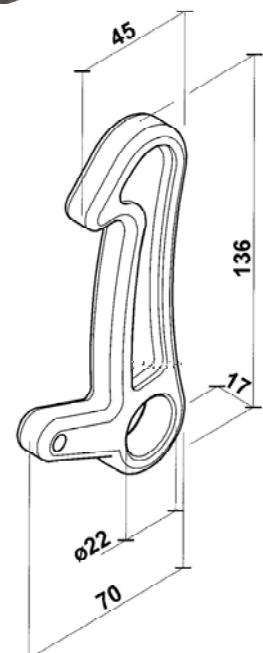


Saltarello Romanazzi grezzo

Romanazzi raw shaped pawl

Art. 15046296

0,330 kg

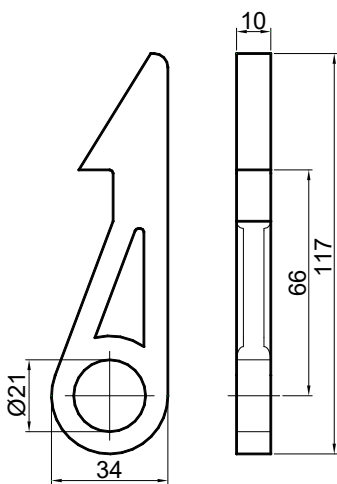
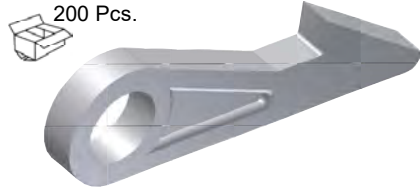




Saltarello Leggerissimo con foro Ø21
Very light shaped pawl with hole Ø21
Art. 15320175

0,150 kg

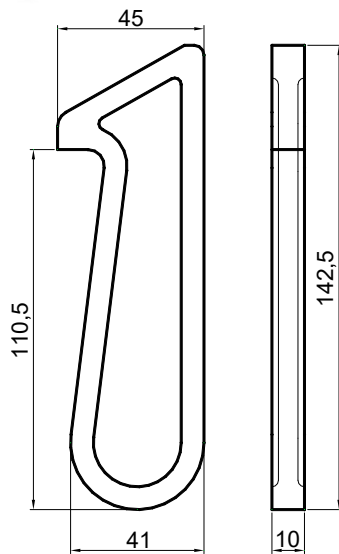
200 Pcs.



Saltarello Leggero senza fori
Light shaped pawl without hole
Art. 15320177

0,260 kg

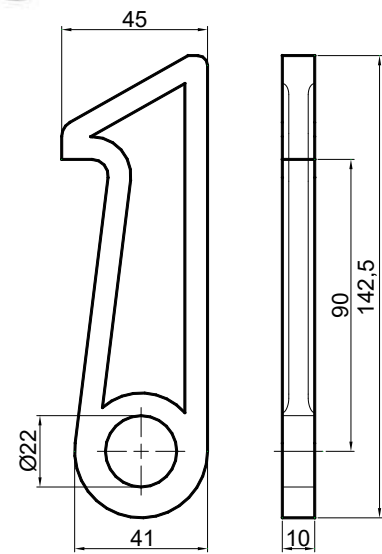
70 Pcs.



Saltarello Leggero con foro Ø22
Light shaped pawl with hole Ø22
Art. 15320178

0,245 kg

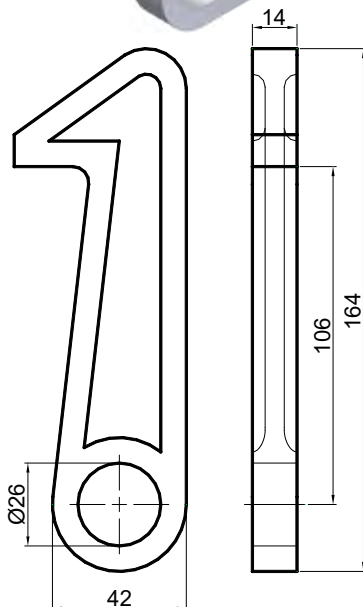
70 Pcs.



Saltarello medio con foro Ø26
Medium shaped pawl with hole Ø26
Art. 15320176

0,420 kg

50 Pcs.

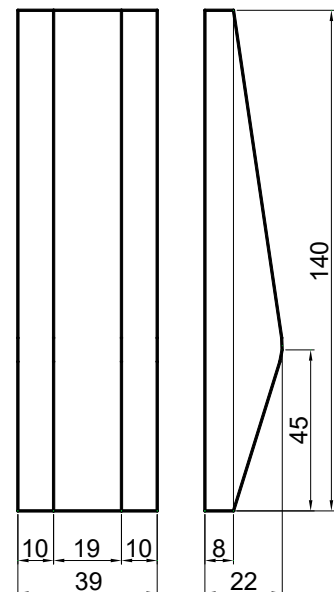
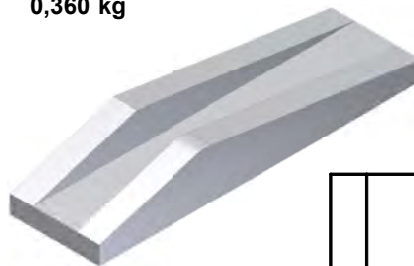


Riscontro per saltarello medio
Slip for medium shaped

Art. 15046308

0,360 kg

50 Pcs.



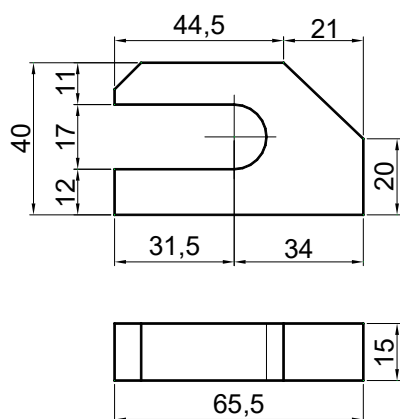


Supporto cerniera Ø17

Support Ø17

Art. 32111112

0,190 kg

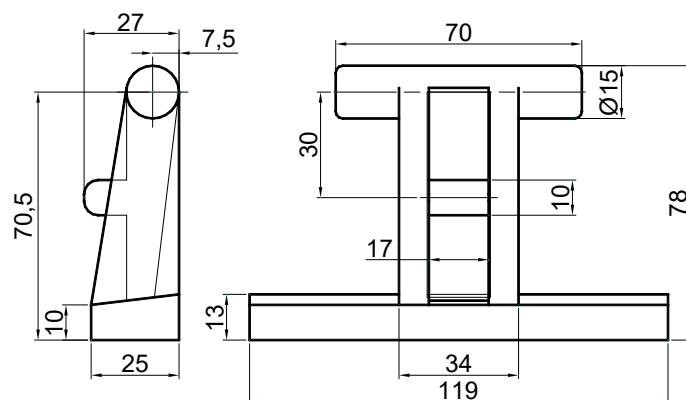


Cerniera grezza per sponda

Raw hinge for sideboard

Art. 32111122

0,545 kg



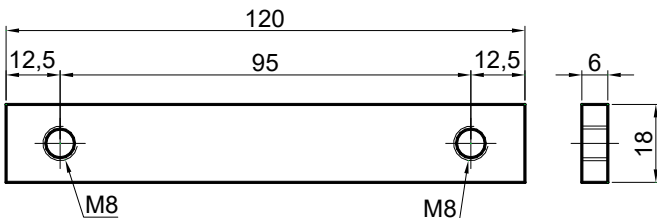
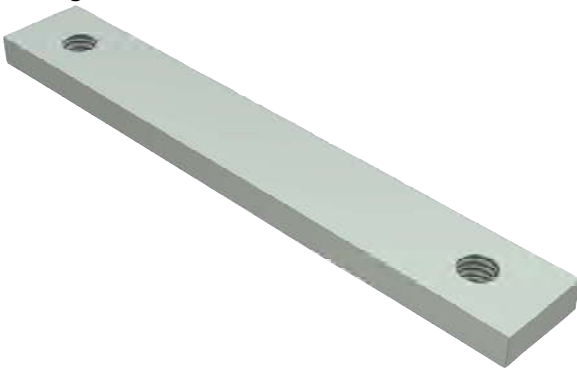


Piastrina zincata interasse 95
Zinc plated plate interaxes 95



Art. 15284110

0,100 kg

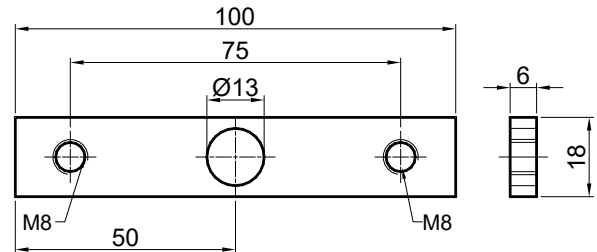
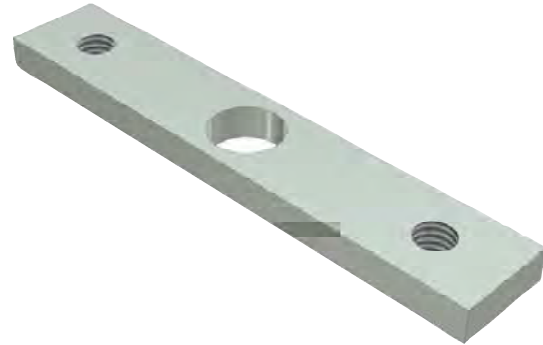


Piastrina zincata interasse 75 con foro Ø13
Zinc plated plate interaxes 75 with hole Ø13



Art. 15308110

0,070 kg

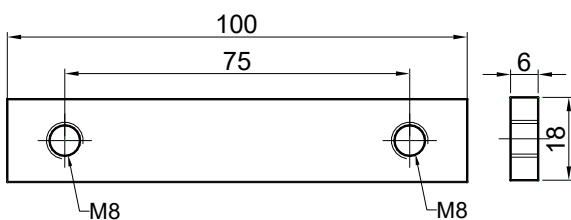


Piastrina zincata interasse 75
Zinc plated plate interaxes 75



Art. 15307110

0,070 kg

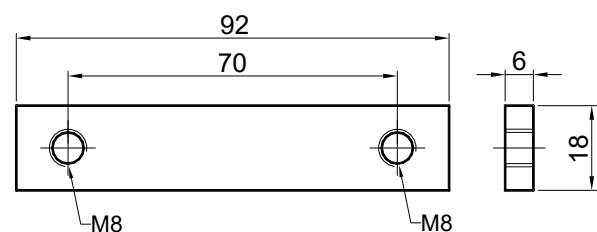
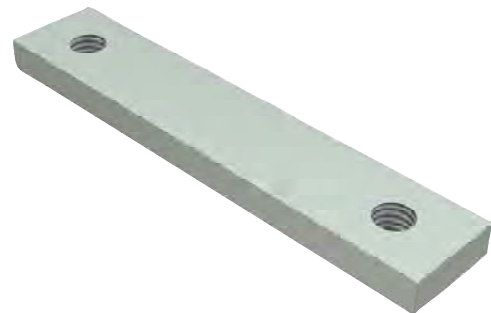


Piastrina zincata interasse 70
Zinc plated plate interaxes 70



Art. 15278110

0,070 kg



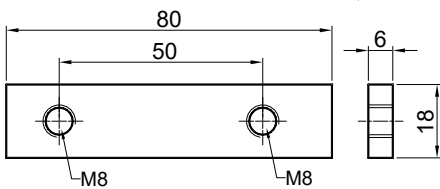


Piastrina zincata interasse 50
Zinc plated plate interaxes 50

Art. 15279110

0,070 kg

400 Pcs.

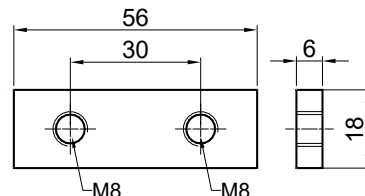
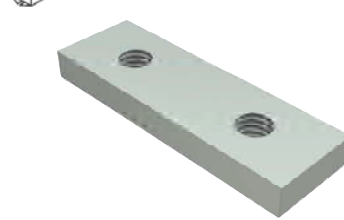


Piastrina zincata interasse 30
Zinc plated plate interaxes 30

Art. 15270110

0,040 kg

500 Pcs.

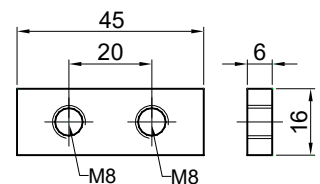


Piastrina zincata interasse 20
Zinc plated plate interaxes 20

Art. 15268110

0,030 kg

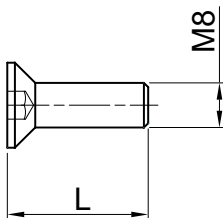
1000 Pcs.



Vite a brugola con testa svasata TCSEI zincata
Zinc plated TCSEI countersunk screw

Art. 15342110 - L = 20 mm

Art. 15343110 - L = 25 mm

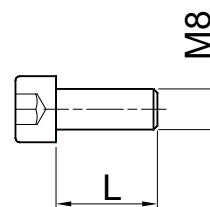


Vite a brugola TCCEI zincata
Zinc plated TCCEI screw

Art. 15338110 - L = 20 mm

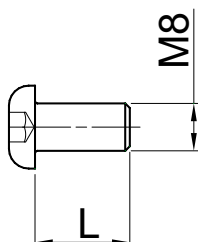
Art. 15340110 - L = 25 mm

Art. 15341110 - L = 30 mm



Vite a brugola con testa bombata zincata
Roundheadedhead screw galvanized

Art. 15344110 - L = 16 mm



Boccola in alluminio
Aluminium bush

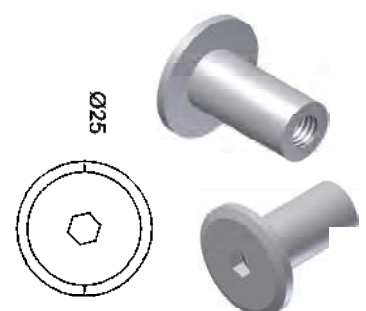
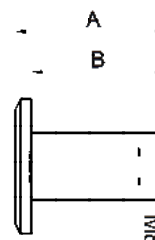
Art. 15388100 - A = 25 mm - B = 22 mm

Art. 15390100 - A = 30 mm - B = 27 mm

Boccola zincata
Zinc plated bush

Art. 15389100 - A = 25 mm - B = 22 mm

Art. 15391100 - A = 30 mm - B = 27 mm





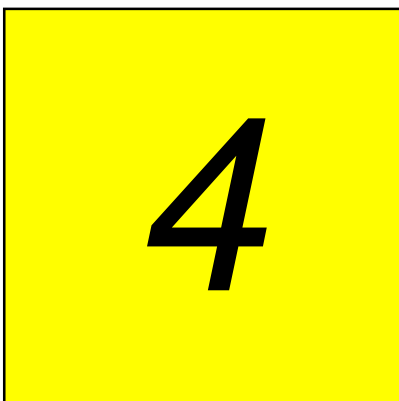
KOUTSOFTA
BROS.

A&G KOUTSOFTA BROS LTD

23 Markou Drakou, Dasaki Achnas, Cyprus

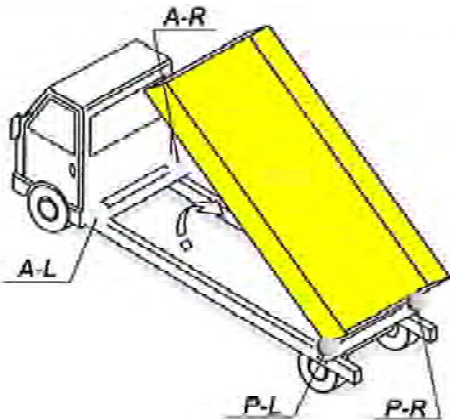
koutsoftabros@cytanet.com.cy

Tel: +357 24722500

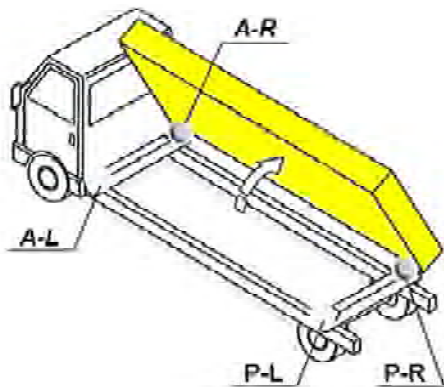
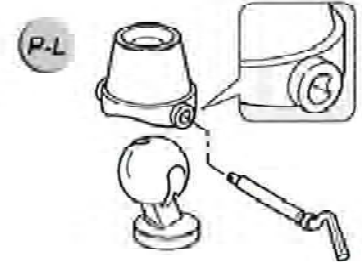
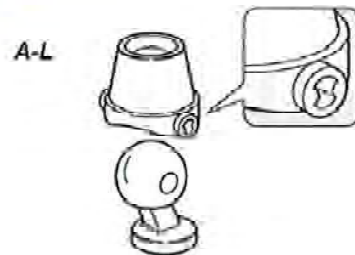
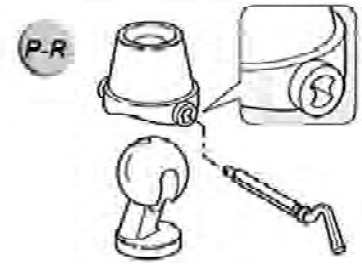
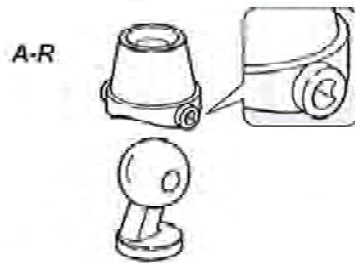


- Sfere per ribaltabili
- Bocche di lupo
- Articolazioni e chiusure per ribaltabili
- Kit sfera orizzontale
- Test di laboratorio

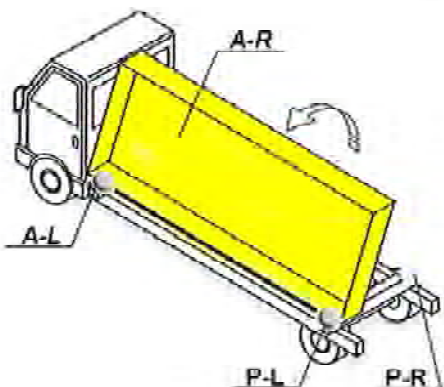
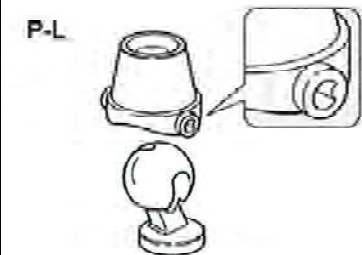
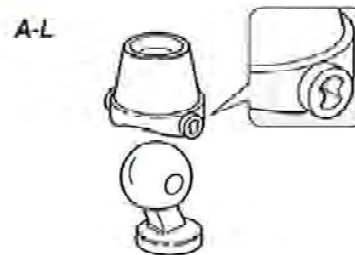
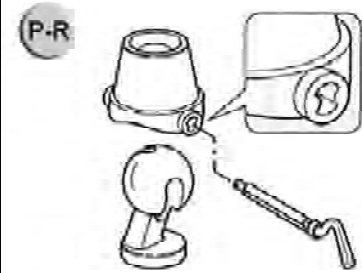
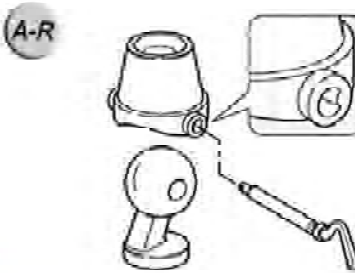
- *Threeway typing*
- *Bocche di lupo*
- *Articolazioni e chiusure per ribaltabili*
- *Horizontal threeway typing*
- *Tilting bodies spheres laboratory test*



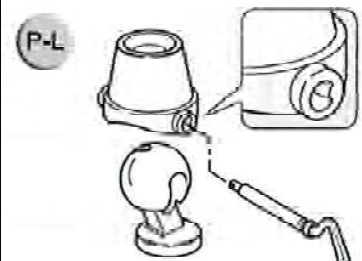
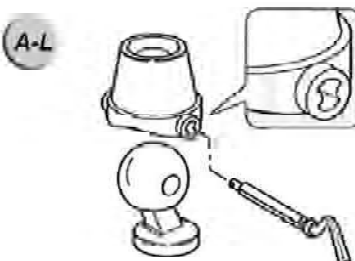
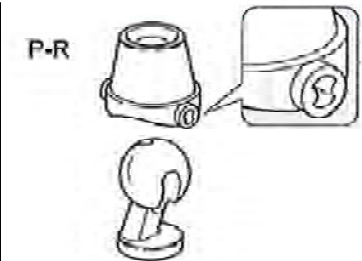
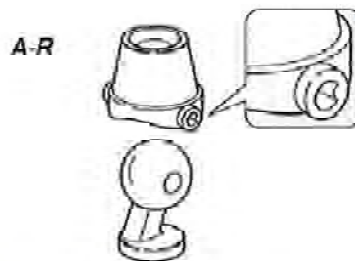
A= Anteriore / Front
P= Posteriore / Rear



A= Anteriore / Front
P= Posteriore / Rear



A= Anteriore / Front
P= Posteriore / Rear

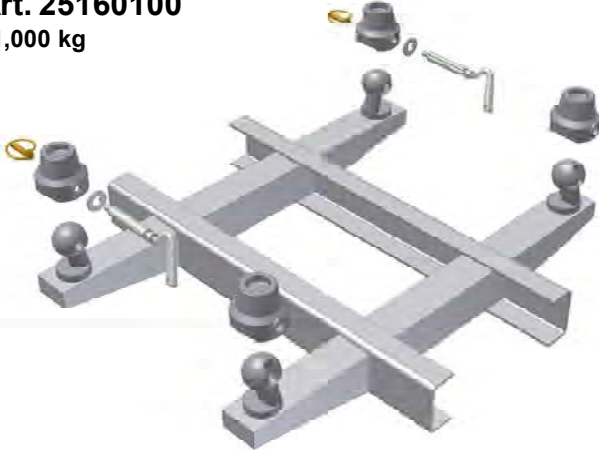




Kit sfere Ø 60 FORGIATO - Portata max 2000 kg
FORGIN Complete set Ø 60 - Load capacity 2000 kg

Art. 25160100

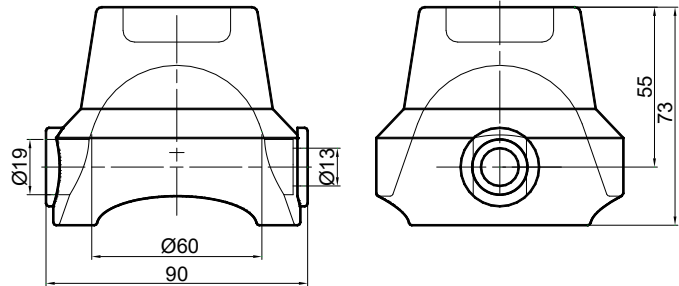
11,000 kg



Supporto a sfera grezzo Ø 60
Raw Socket for ball Ø 60

Art. 25162100

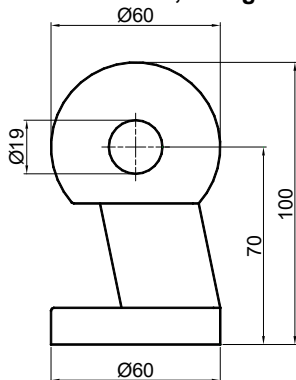
1,200 kg



Sfera grezza con foro Ø 60

Raw Ball Ø 60 with eyelet

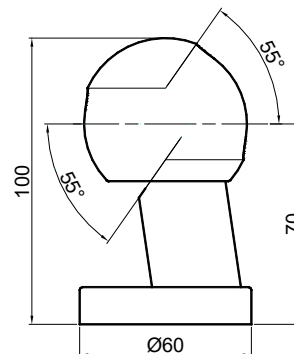
Art. 25166100 - 1,245 kg



Sfera grezza con asola Ø 60 ambidestra

Raw Ball Ø 60 with oval eyelet both side

Art. 25170100 - 1,120 kg

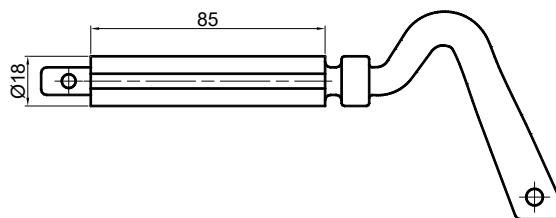


Besides used
left/right

Spina a una gola zincata

Single fluted locking pin galvanized

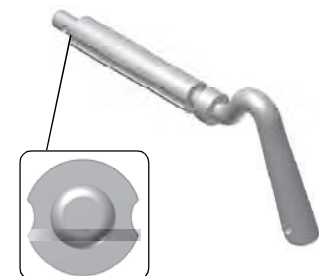
Art. 25136100 - 0,310 kg



Spina a due gole zincata

Twin fluted locking pin galvanized

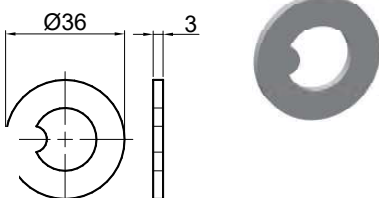
Art. 25132100 - 0,310 kg



Rondella grezza per spina ad una gola

Single fluted raw plate

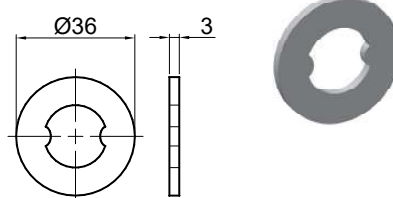
Art. 25138100 - 0,020 kg



Rondella grezza per spina ad due gole

Twin fluted raw plate

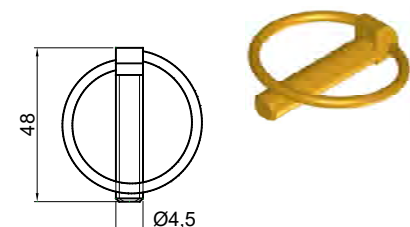
Art. 25134100 - 0,020 kg



Copiglia zincata a scatto Ø 4,5

Galvanized Cotter pin Ø 4,5

Art. 25140100 - 0,020 kg

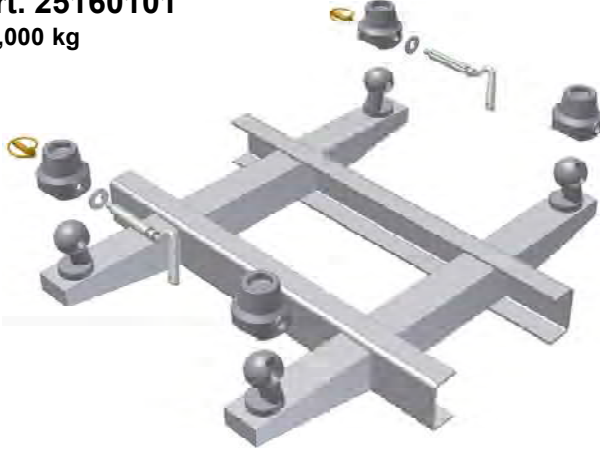




Kit sfere Ø 60 - Portata max 2000 kg
Complete set Ø 60 - Load capacity 2000 kg

Art. 25160101

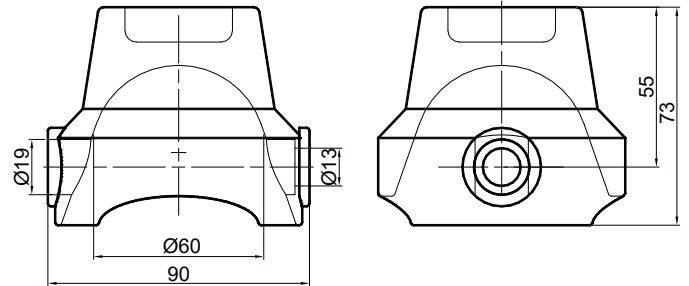
11,000 kg



Supporto a sfera grezzo Ø 60
Raw Socket for ball Ø 60

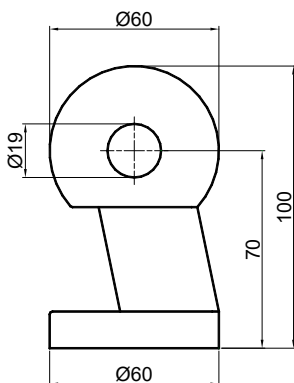
Art. 25162101

1,200 kg



Sfera grezza con foro Ø 60
Raw Ball Ø 60 with eyelet

Art. 25166101 - 1,340 kg

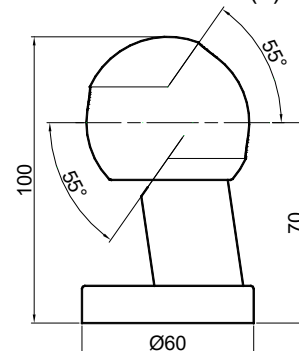


Sfera grezza con asola Ø 60
Raw Ball Ø 60 with oval eyelet

1,340 kg

Art. 25170101/R (2)

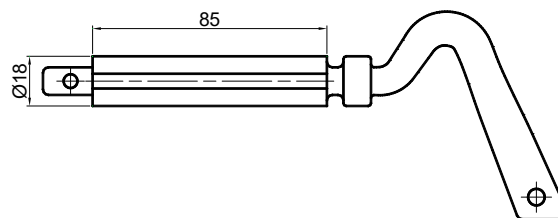
Art. 25170101/L (1)



Sx - L

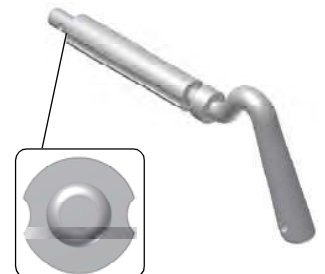
Spina a una gola zincata
Single fluted locking pin galvanized

Art. 25136100 - 0,310 kg



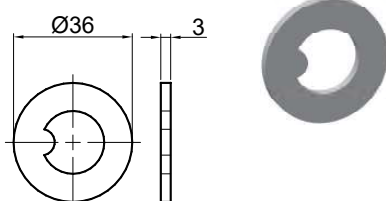
Spina a due gole zincata
Twin fluted locking pin galvanized

Art. 25132100 - 0,310 kg



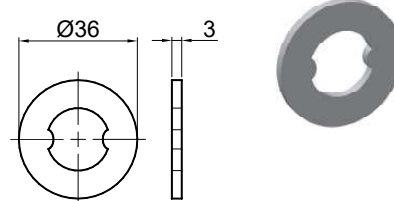
Rondella grezza per spina ad una gola
Single fluted raw plate

Art. 25138100 - 0,020 kg



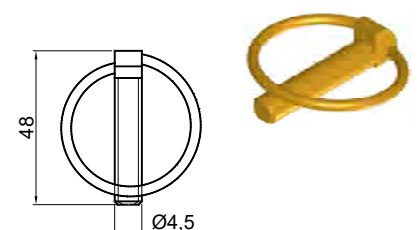
Rondella grezza per spina ad due gole
Twin fluted raw plate

Art. 25134100 - 0,020 kg



Copiglia zincata a scatto Ø 4,5
Galvanized Cotter pin Ø 4,5

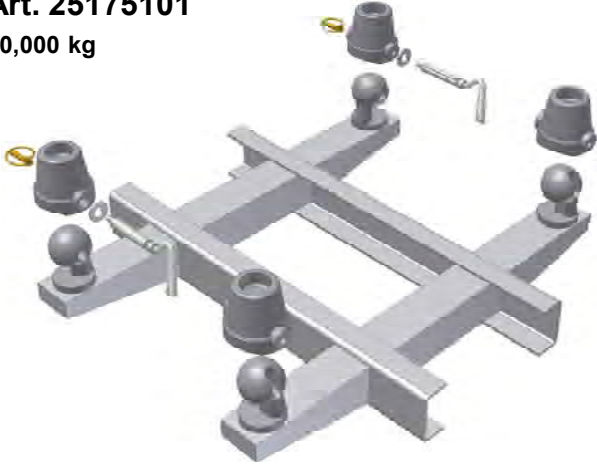
Art. 25140100 - 0,020 kg





Kit sfere Ø 75 - Portata max 5000 kg
Complete set Ø 75 - Load capacity 5000 kg
Art. 25175101

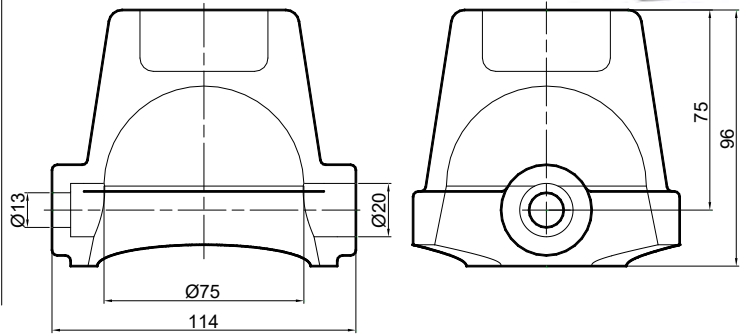
20,000 kg



Supporto grezzo a sfera Ø 75
Raw Socket for ball Ø 75

Art. 25174101

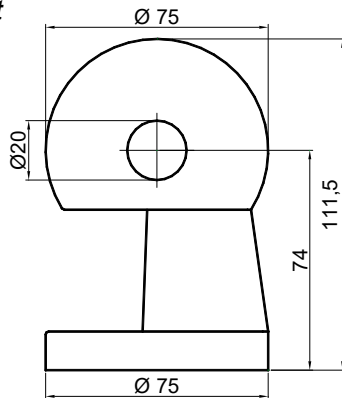
2,530 kg



Sfera grezza con foro Ø 75
Raw Ball Ø 75 with eyelet

Art. 25178101

2,320 kg



Sfera grezza con asola Ø 75

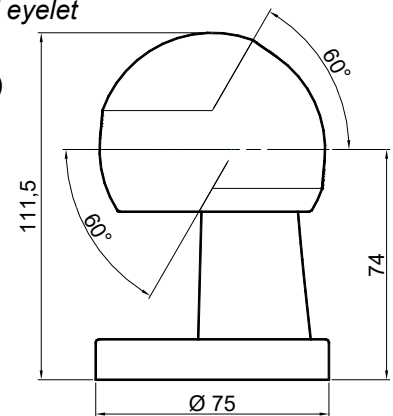
2,140 kg

Raw Ball Ø 75 with oval eyelet

Art. 25182101/R (2)

Art. 25182101/L (1)

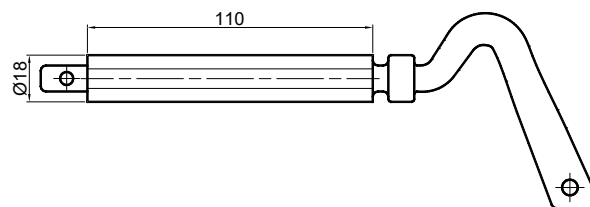
Sx - L



Spina a una gola zincata

Single fluted locking pin galvanized

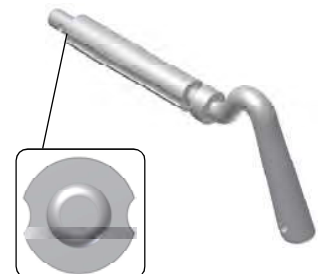
Art. 25136200 - 0,330 kg



Spina a due gole zincata

Twin fluted locking pin galvanized

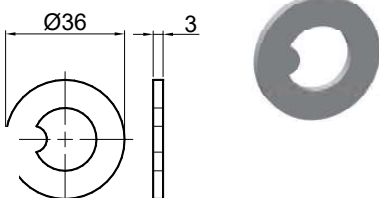
Art. 25132200 - 0,330 kg



Rondella grezza per spina ad una gola

Single fluted raw plate

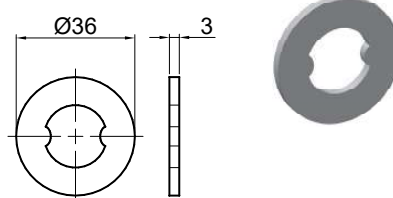
Art. 25138100 - 0,020 kg



Rondella grezza per spina ad due gole

Twin fluted raw plate

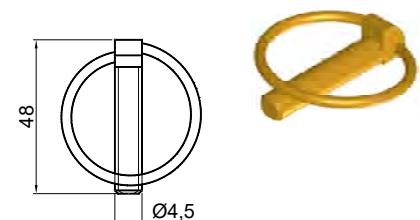
Art. 25134100 - 0,020 kg



Copiglia zincata a scatto Ø 4,5

Galvanized Cotter pin Ø 4,5

Art. 25140100 - 0,020 kg

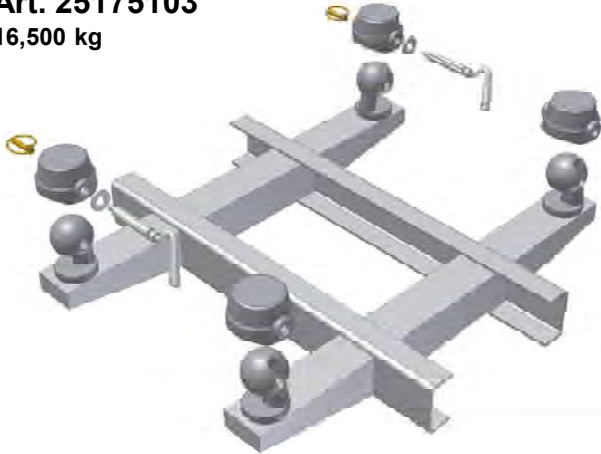




Kit sfera Ø 75 ribassato tipo **agricolo** P.max 5000 kg
Type **agricultural** Complete set Ø 75 low - Load cap. 5000 kg

Art. 25175103

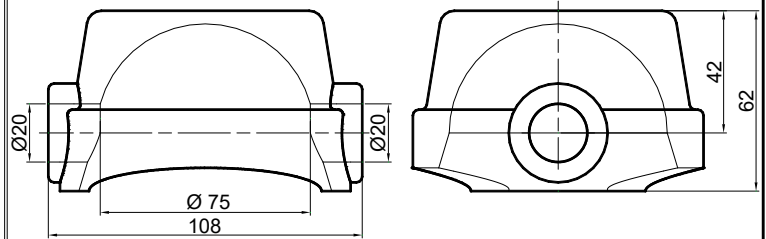
16,500 kg



Supporto grezzo ribassato a sfera Ø 75
Raw Low Socket for ball Ø 75

Art. 25174101/A

1,630 kg

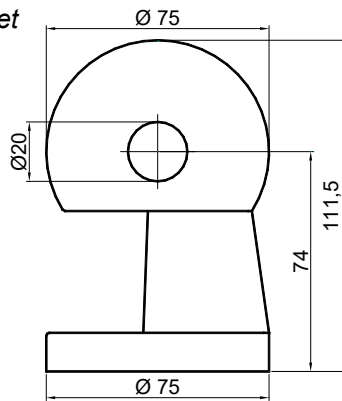


Sfera grezza con foro Ø 75

Raw Ball Ø 75 with eyelet

Art. 25178101

2,320 kg



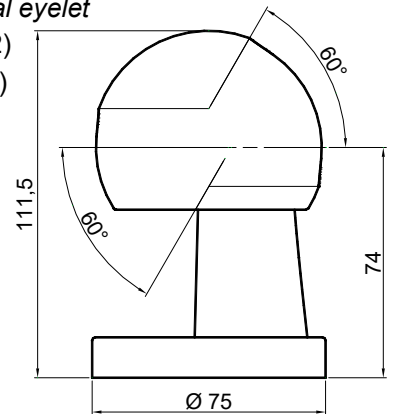
Sfera grezza con asola Ø 75

Raw Ball Ø 75 with oval eyelet

Art. 25182101/R (2)

Art. 25182101/L (1)

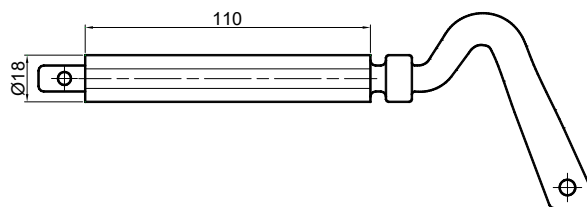
Sx - L



Spina a una gola zincata

Single fluted locking pin galvanized

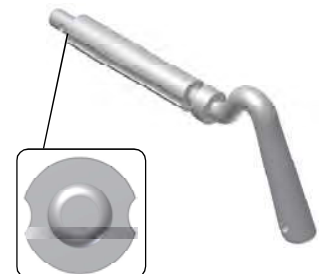
Art. 25136200 - 0,330 kg



Spina a due gole zincata

Twin fluted locking pin galvanized

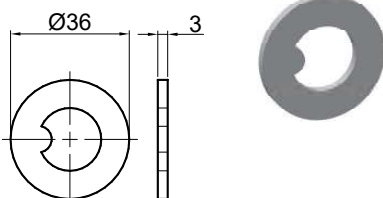
Art. 25132200 - 0,330 kg



Rondella grezza per spina ad una cava

Single fluted raw plate

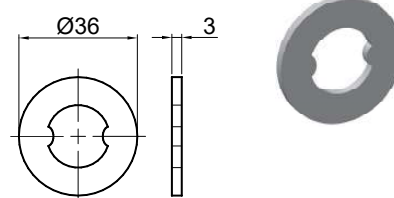
Art. 25138100 - 0,020 kg



Rondella grezza per spina ad due gole

Twin fluted raw plate

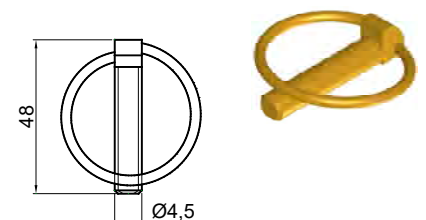
Art. 25134100 - 0,020 kg



Copiglia zincata a scatto Ø 4,5

Galvanized Cotter pin Ø 4,5

Art. 25140100 - 0,020 kg

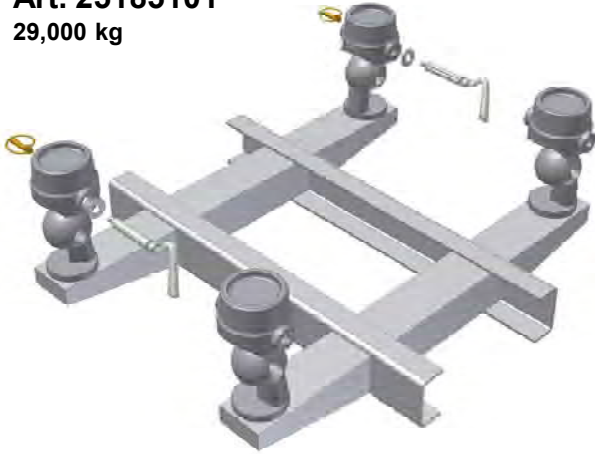




Kit sfere Ø 85 Portata max 15.000 kg
Complete set Ø 85 - Load cap. 15.000 kg

Art. 25185101

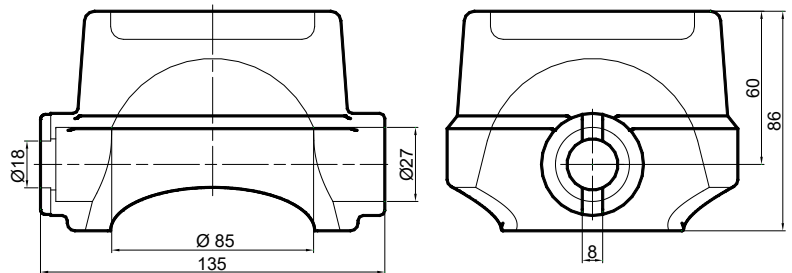
29,000 kg



Supporto grezzo a sfera Ø 85
Raw Socket for ball Ø 85

Art. 25218101

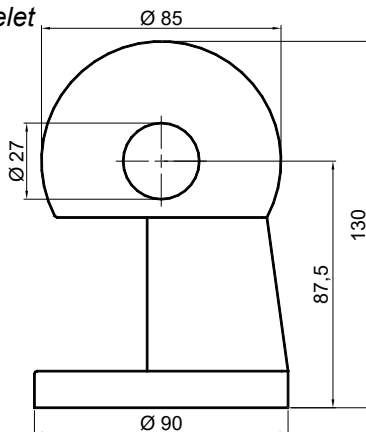
3,720 kg



Sfera grezza con foro Ø 85
Raw Ball Ø 85 with eyelet

Art. 25222101

3,360 kg



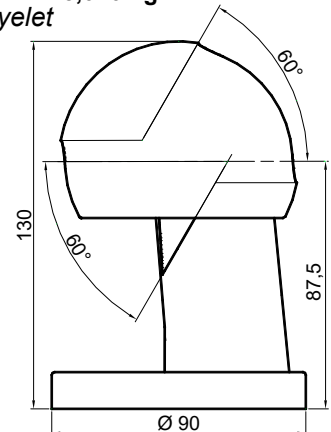
Sfera grezza con asola Ø 85 **3,040 kg**

Raw Ball Ø 85 with oval eyelet

Art. 25226101/R (3)

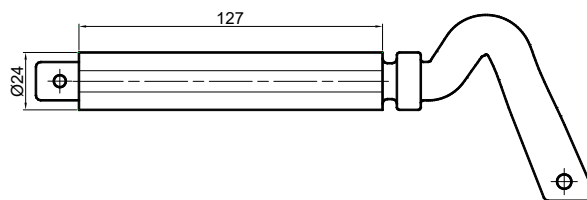
Art. 25226101/L (4)

Sx - L



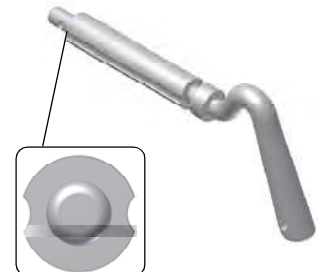
Spina a una gola zincata
Single fluted locking pin galvanized

Art. 25142100 - 0,720 kg



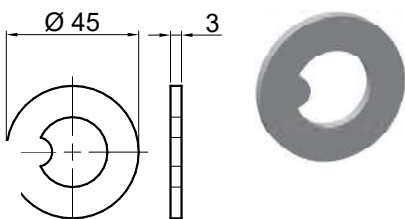
Spina a due gole zincata
Twin fluted locking pin galvanized

Art. 25144100 - 0,720 kg



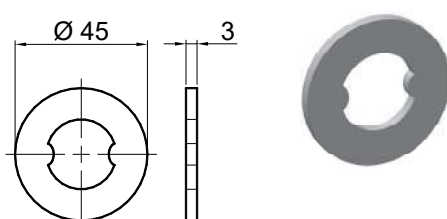
Rondella grezza per spina ad una cava
Single fluted raw plate

Art. 25130100 - 0,025 kg



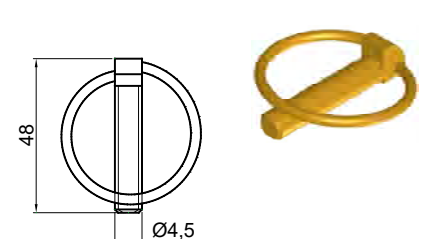
Rondella grezza per spina ad due cave
Twin fluted raw plate

Art. 25126100 - 0,025 kg



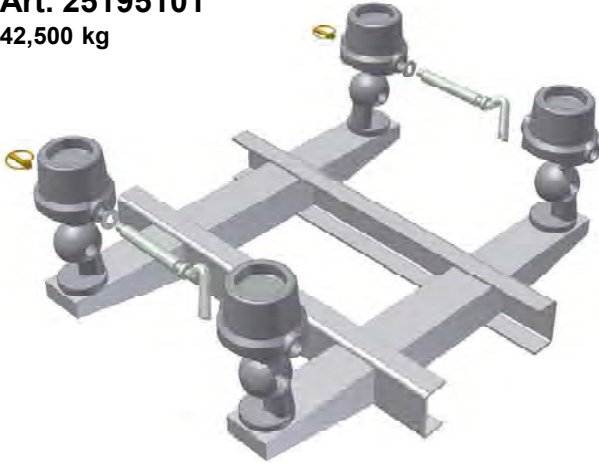
Copiglia zincata scatto Ø 4,5
Galvanized Cotter pin Ø 4,5

Art. 25140100 - 0,020 kg

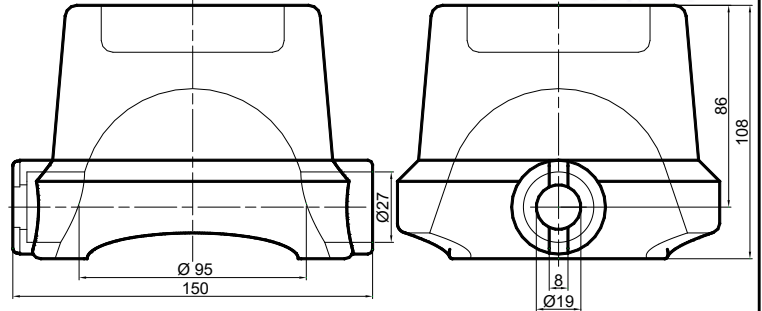




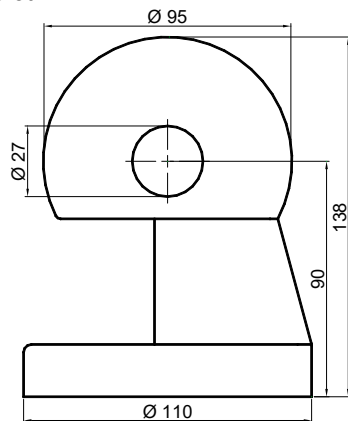
Kit sfera Ø 95 Portata max 28.000 kg
Complete set Ø 95 low - Load cap. 28.000 kg
Art. 25195101
42,500 kg



Supporto grezzo a sfera Ø 95
Raw Socket for ball Ø 95
Art. 25274101
5,660 kg

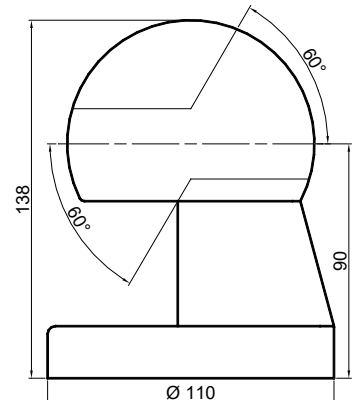


Sfera grezza con foro Ø 95 **4,760 kg**
Raw Ball Ø 95 with eyelet
Art. 25266101

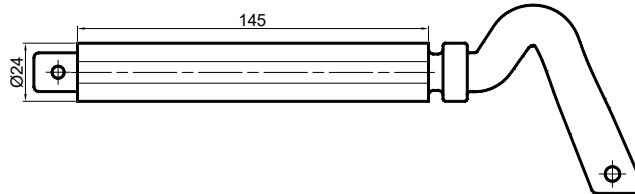


Sfera grezza con asola Ø 95 **4,540 kg**
Raw Ball Ø 95 with oval eyelet
Art. 25270101/R (3)
Art. 25270101/L (4)

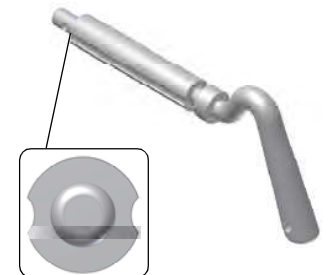
Sx - L



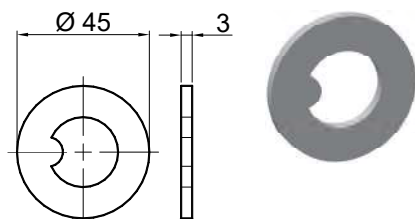
Spina a una gola zincata
Single fluted locking pin galvanized
Art. 25148100 - 0,770 kg



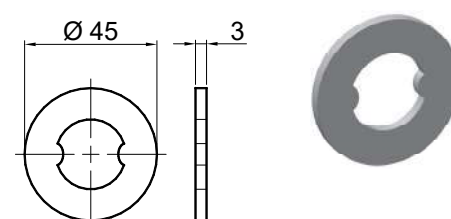
Spina a due gole zincata
Twin fluted locking pin galvanized
Art. 25150100 - 0,770 kg



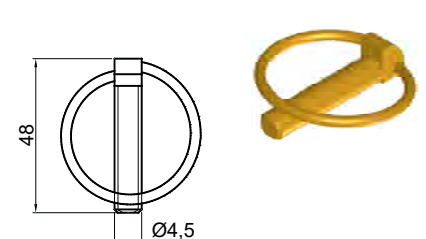
Rondella grezza per spina ad una cava
Single fluted raw plate
Art. 25130100 - 0,025 kg



Rondella grezza per spina ad due gole
Twin fluted raw plate
Art. 25126100 - 0,025 kg



Copiglia zincata a scatto Ø 4,5
Galvanized Cotter pin Ø 4,5
Art. 25140100 - 0,020 kg

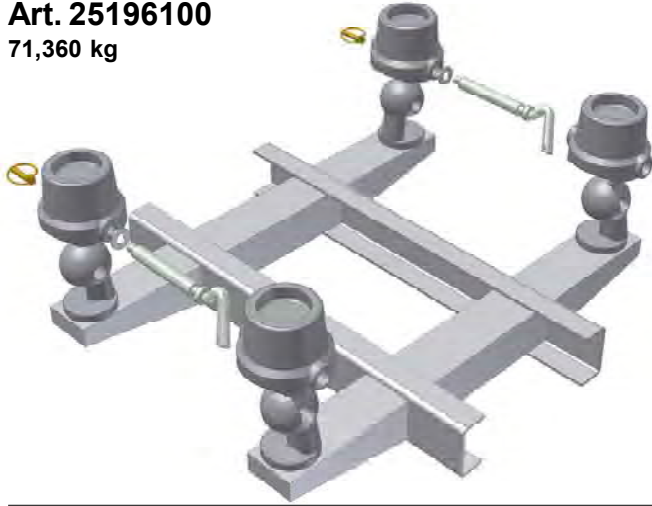




Complete set Ø 110 low - Load cap. 45.000 kg

Art. 25196100

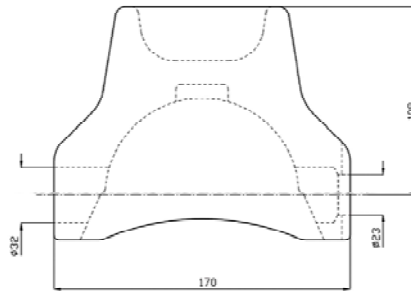
71,360 kg



Raw Socket for ball Ø 110

Art. 25196101

9,000 kg

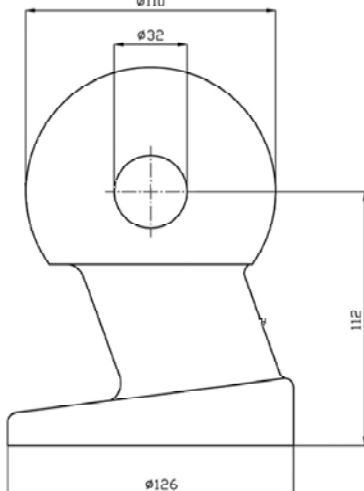


Sfera grezza con foro Ø110

8,160 kg

Raw Ball Ø100 with eyelet

Art. 25196102



Sfera grezza con asola Ø110

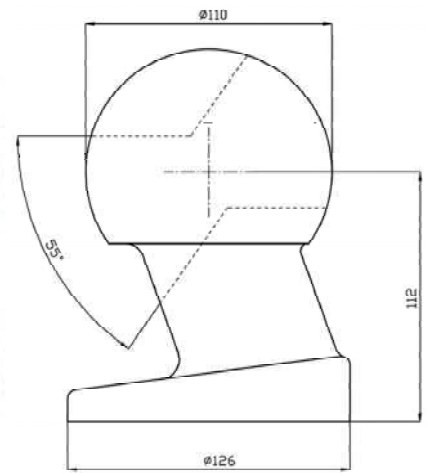
8,000 kg

Raw Ball Ø110 with oval eyelet

Art. 25196103/R

Art. 25196103/L

Sx - L

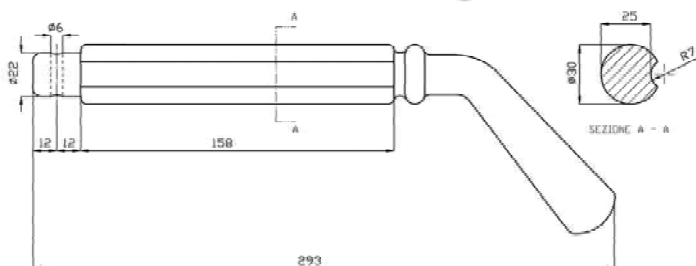
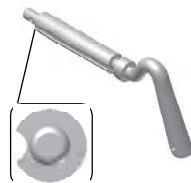


Spina a 1 gola zincata

Raw single fluted locking pin

Art. 25196104

1,320 kg

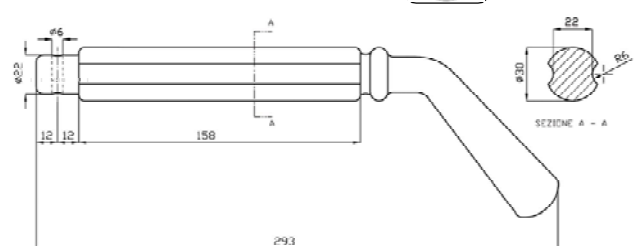
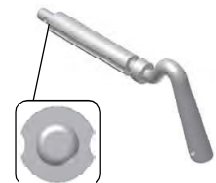


Spina a due gole zincata

Twin fluted locking pin galvanized

Art. 25196105

1,300 kg



Rondella grezza 1 gola

Single fluted raw plate

Art. 25196106



Rondella grezza 2 gole

Twin fluted raw plate

Art. 25196107

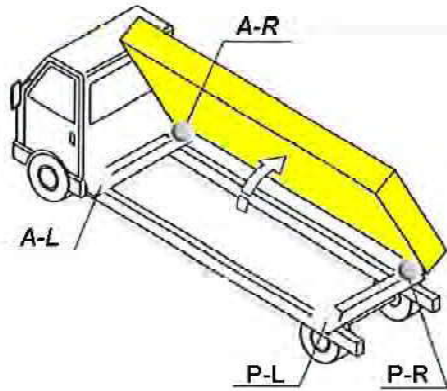


Copiglia zincata a scatto

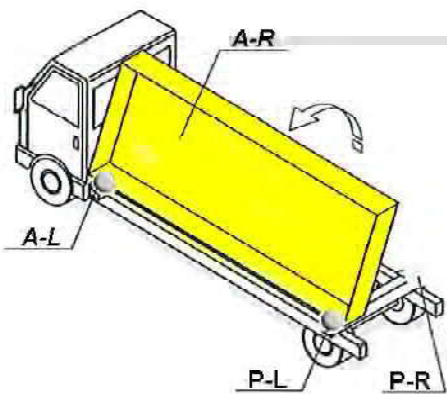
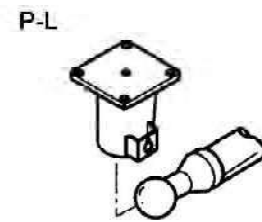
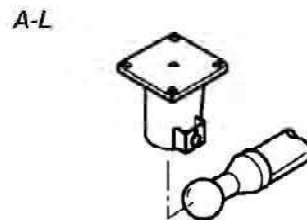
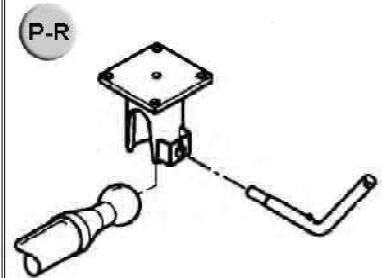
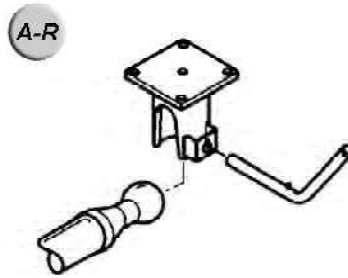
Galvanized Cotter pin

Art. 25140100

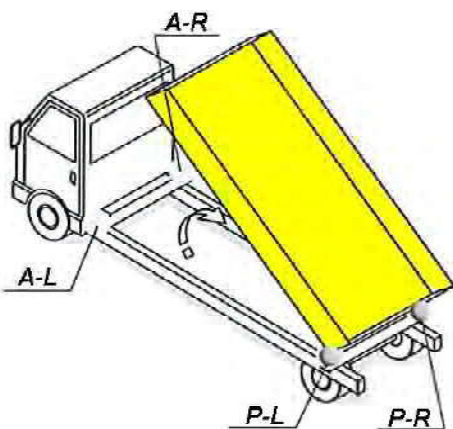
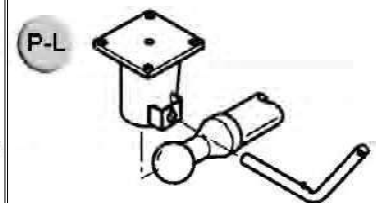
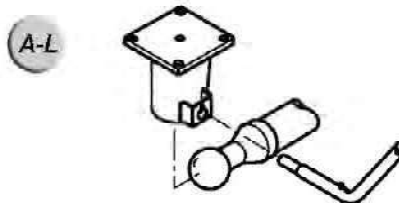
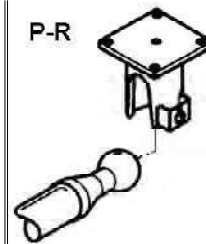
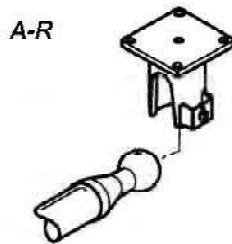




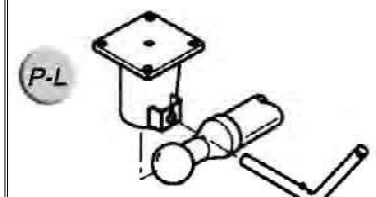
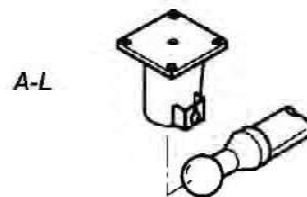
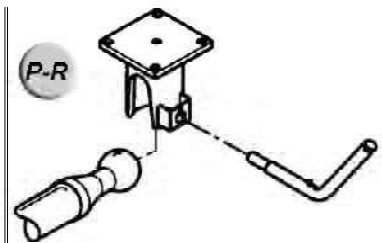
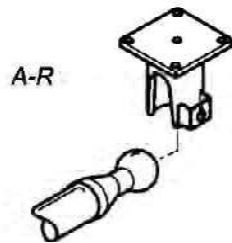
A= Anteriore / Front
P= Posteriore / Rear



A= Anteriore / Front
P= Posteriore / Rear

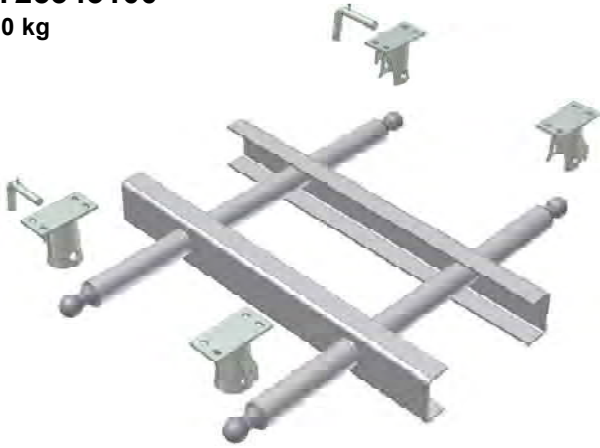


A= Anteriore / Front
P= Posteriore / Rear

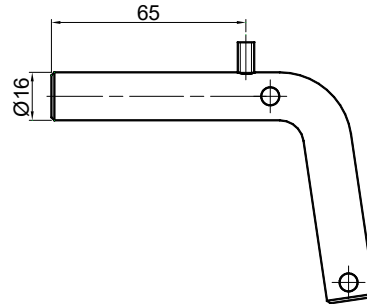




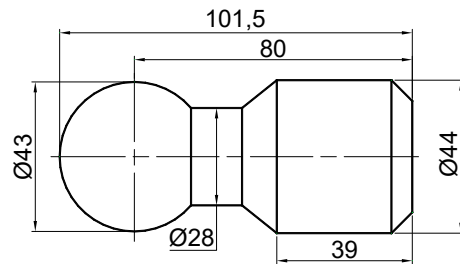
Kit sfere orizzontali Ø 43 - Portata max 4.000 kg
Horizontal complete set Ø 43 - Load cap. 4.000 kg
Art. 25343100
8,000 kg



Spina zincata Ø16
Zinc plated locking pin Ø16
Art. 25300101
0,240 kg



Sfera grezza Ø 43
Raw Ball Ø 43
Art. 25300104
0,920 kg

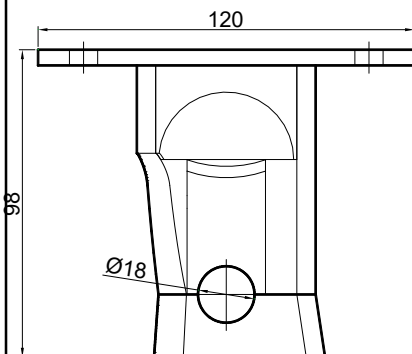


Supporto zincato destro foro Ø 18
Zinc plated Right Socket witch hole Ø 18
Art. 25300222
0,960 kg

Dx - R



* Tappo PVC incluso
* PVC cap included

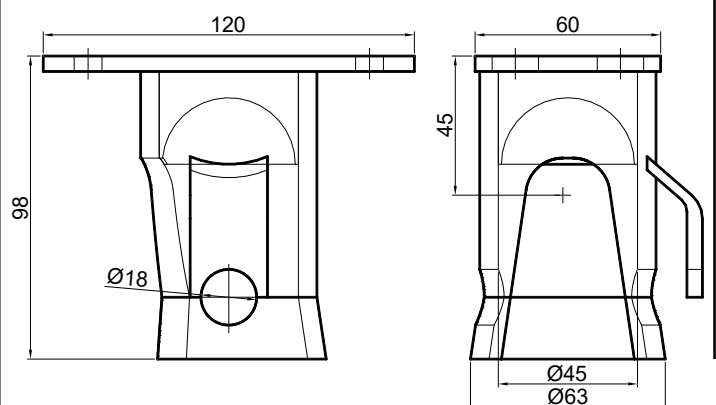


Supporto zincato sinistro foro Ø 18
Zinc plated Left Socket witch hole Ø 18
Art. 25300221
0,960 kg

Sx - L



* Tappo PVC incluso
* PVC cap included

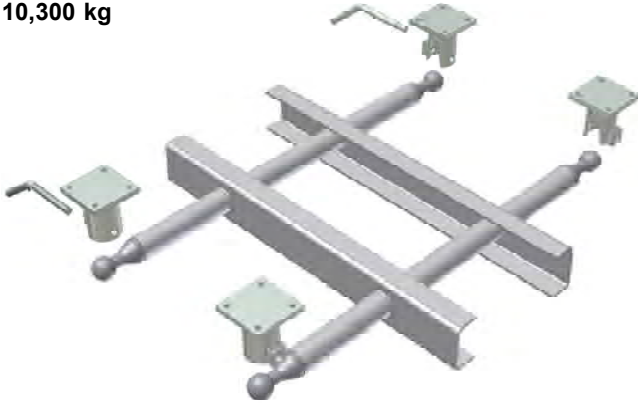




Kit sfere orizzontali Ø 50 - Portata max 3.500 kg
Horizontal complete set Ø 50 - Load cap. 3.500 kg

Art. 25350100

10,300 kg

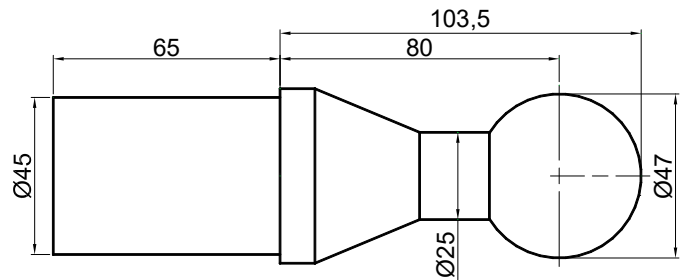


Sfera grezza Ø 47

Raw ball Ø 47

Art. 25370100

0,920 kg



Supporto zincato 100x100 foro Ø14,5

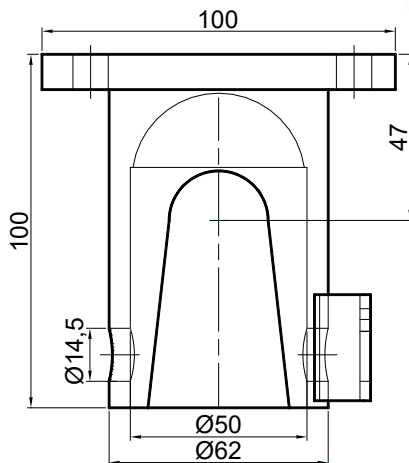
Galv. Socket 100x100 hole Ø14,5

Art. 25390110/R

Art. 25390110/L

1,500 kg

Dx - R



* Tappo PVC incluso
* PVC cap included

Supporto zincato 100x100 foro Ø 12,5/16,5

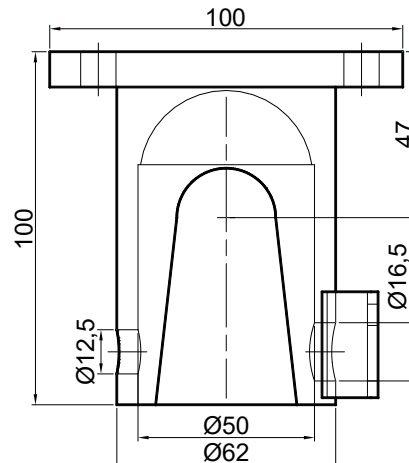
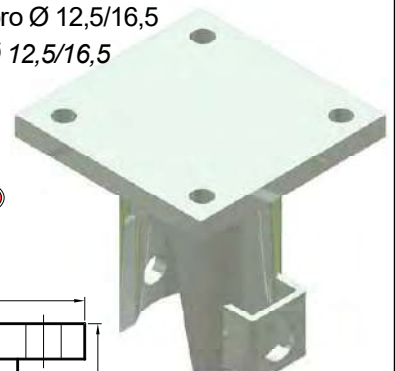
Galv. Socket 100x100 hole Ø 12,5/16,5

Art. 25392110/R

Art. 25392110/L

1,500 kg

Dx - R

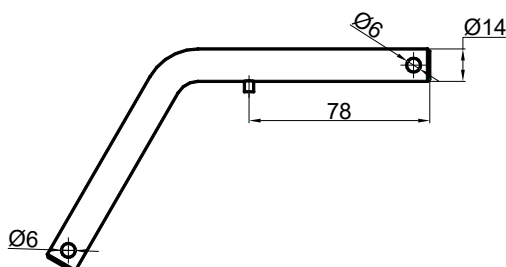


* Tappo PVC incluso
* PVC cap included

Spina zincata Ø14

Zinc plated locking pin Ø14

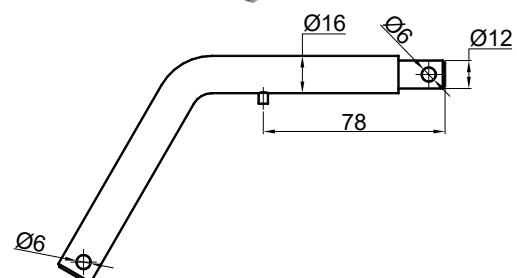
Art. 25398110 - 0,300 kg



Spina zincata Ø12/16

Zinc plated locking pin Ø12/16

Art. 25400110 - 0,310 kg

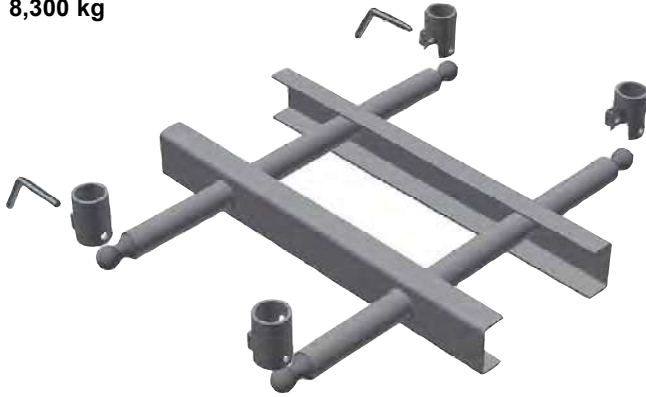




Kit sfere orizzontali Ø 50 - Portata max 3.500 kg
Horizontal complete set Ø 50 - Load cap. 3.500 kg

Art. 25355100

8,300 kg

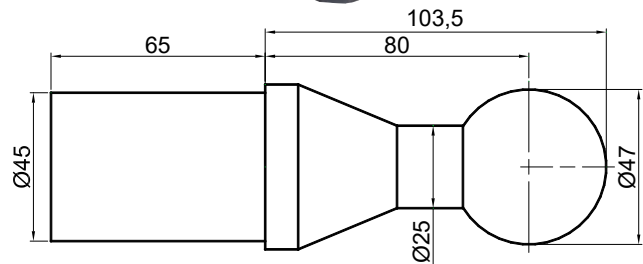


Sfera grezza Ø 47

Raw ball Ø 47

Art. 25370100

0,920 kg



Supporto grezzo senza piastra foro Ø14,5
Raw socket without plate hole Ø14,5

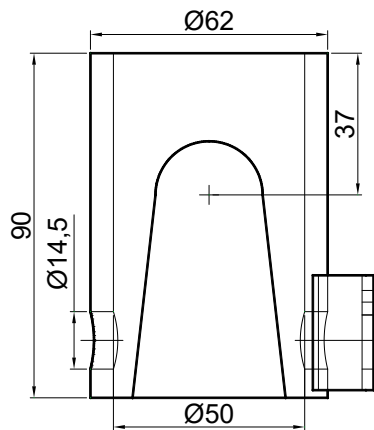
Art. 25402100/R

Art. 25402100/L

1,000 kg

* Tappo PVC incluso
* PVC cap included

Dx - R



Supporto grezzo senza piastra foro Ø 12,5/16,5
Raw Socket without plate hole Ø 12,5/16,5

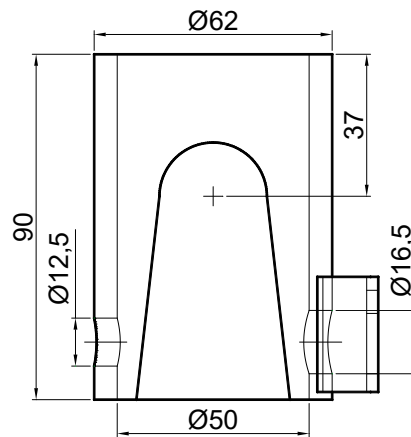
Art. 25404100/R

Art. 25404100/L

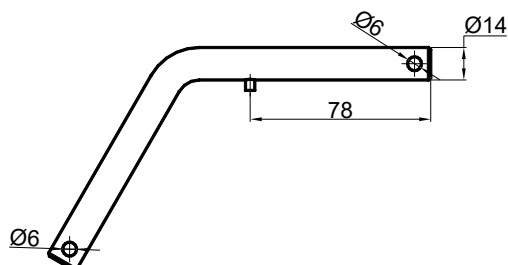
1,000 kg

* Tappo PVC incluso
* PVC cap included

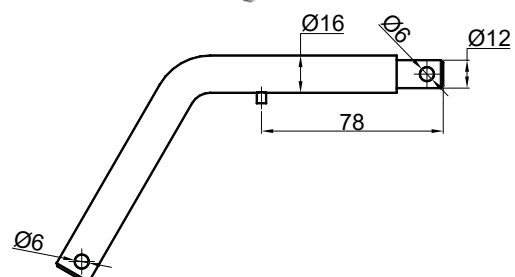
Dx - R



Spina zincata Ø14
Zinc plated locking pin Ø14
Art. 25398110 - 0,300 kg



Spina zincata Ø12/16
Zinc plated locking pin Ø12/16
Art. 25400110 - 0,310 kg

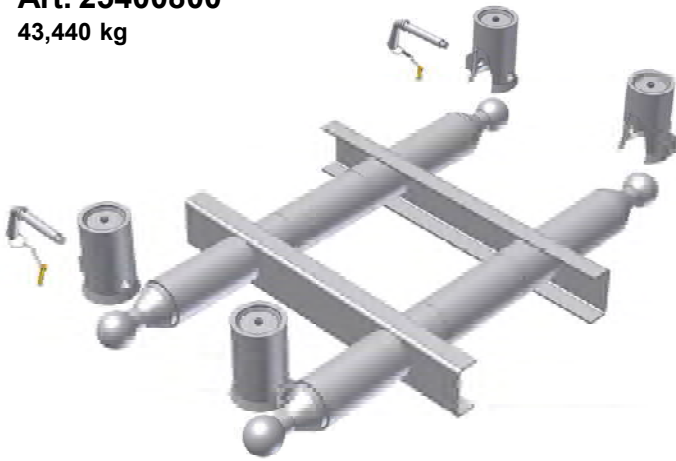




Kit sfere orizzontali Ø80 Portata max 24.000 kg
Horizontal complete set Ø80 - Load cap. 24.000 kg

Art. 25400800

43,440 kg

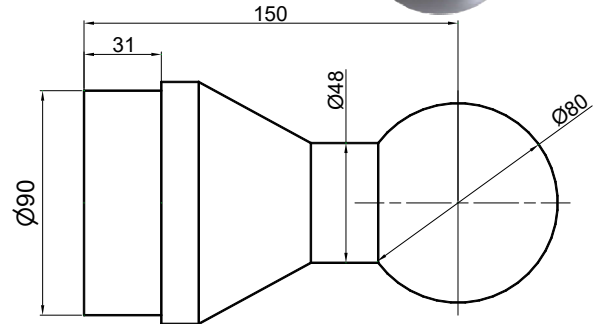
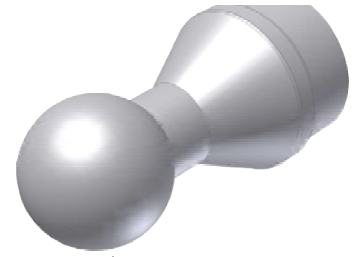


Sfera grezza Ø 80

Raw Ball Ø 80

Art. 25400801

6,380 kg



Supporto grezzo con foro 180°

Raw socket hole 180°

Art. 25400802/R

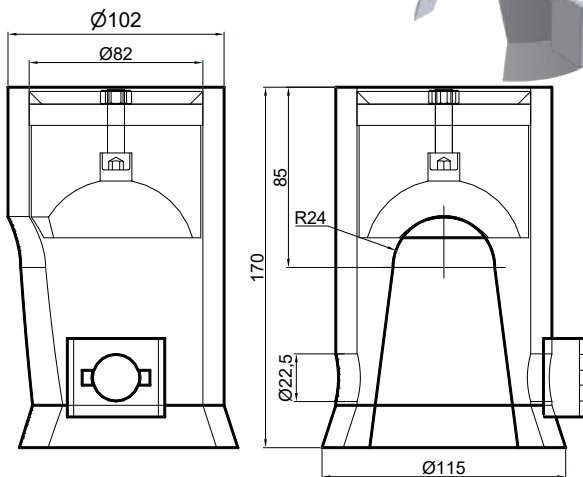
Art. 25400802/L

4,100 kg

Dx - R



* Tappo PVC incluso
* PVC cap included



Supporto grezzo con foro 90°

Raw socket hole 90°

Art. 25400803/R

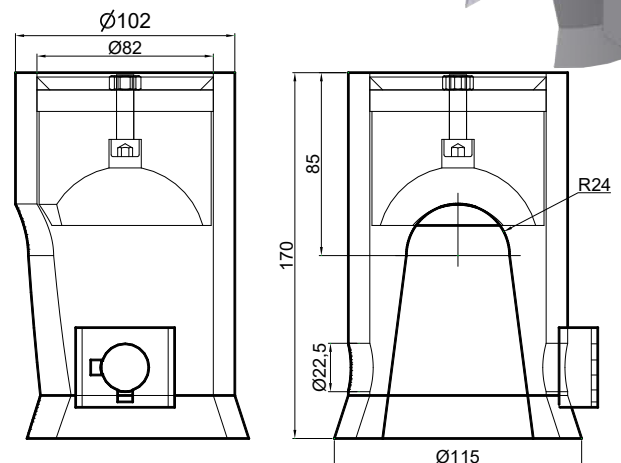
Art. 25400803/L

4,100 kg

Dx - R



* Tappo PVC incluso
* PVC cap included

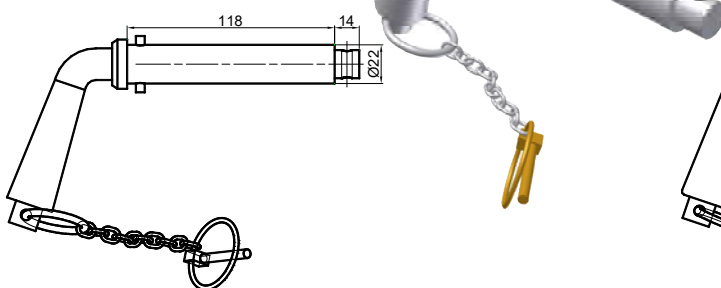


Spina grezza 180°

Raw locking pin 180°

Art. 25400804

0,760 kg



Spina grezza 90°

Raw locking pin 90°

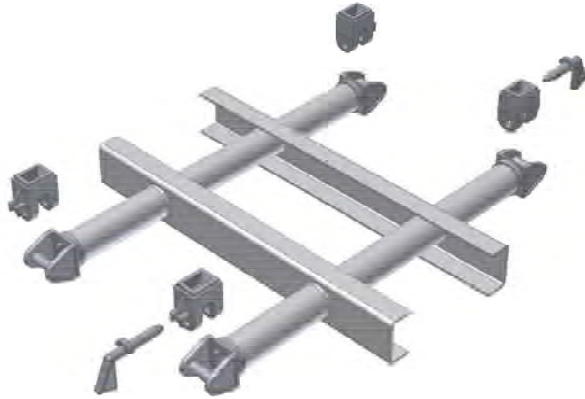
Art. 25400805

0,760 kg

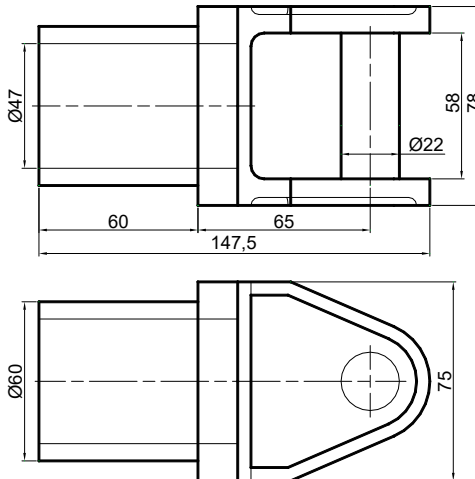




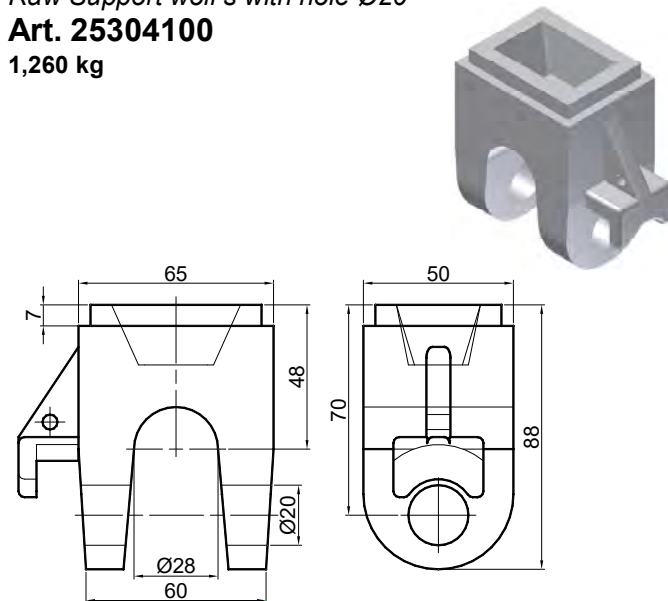
Kit bocca di lupo Ø60 - Portata 5 Ton.
Complete set three way tipper joint wolf's Ø60
Load cap. 5 Tons
Art. 25300100
12,500 kg



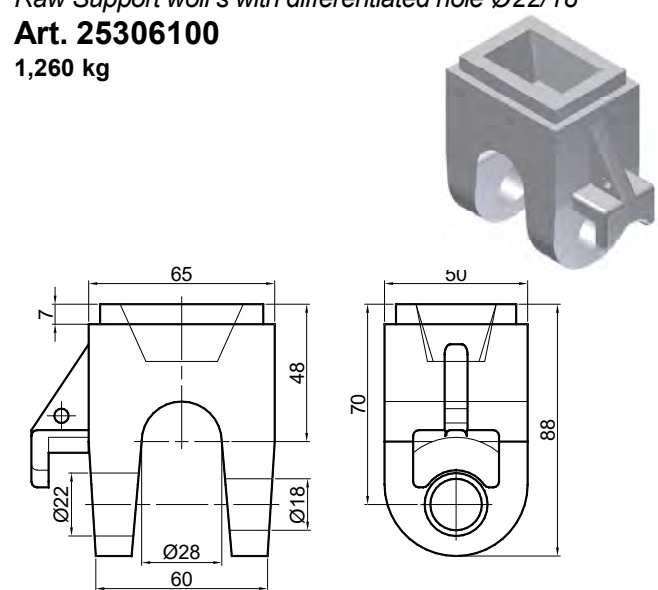
Forcella grezza bocca di lupo
Raw Fork wolf's
Art. 25310100
1,520 kg



Supporto grezzo bocca di lupo con foro Ø20
Raw Support wolf's with hole Ø20
Art. 25304100
1,260 kg



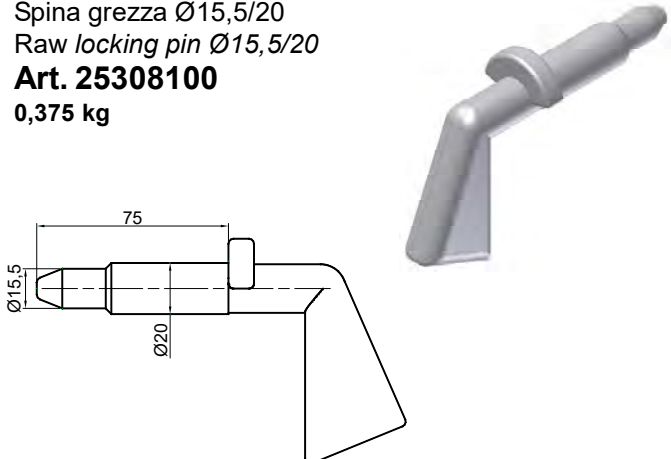
Supporto grezzo bocca di lupo con foro Ø22/18
Raw Support wolf's with differentiated hole Ø22/18
Art. 25306100
1,260 kg



Spina grezza Ø19
Raw locking pin Ø19
Art. 25302100
0,375 kg



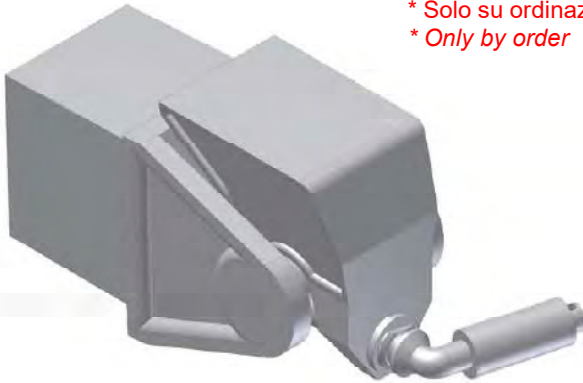
Spina grezza Ø15,5/20
Raw locking pin Ø15,5/20
Art. 25308100
0,375 kg





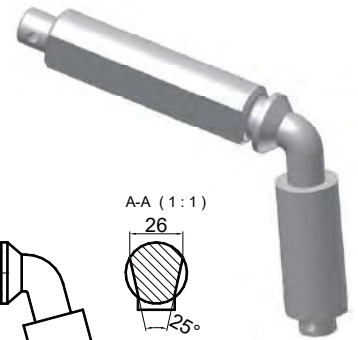
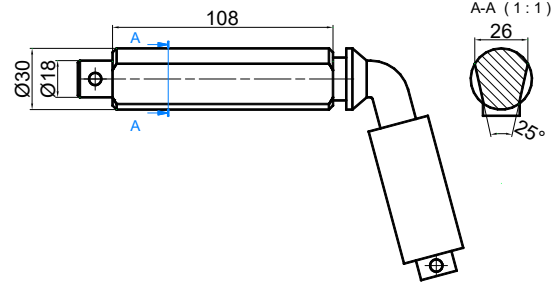
Kit bocca di lupo pesante grezzo
Heavy wolf's complete set three way tipper raw joint

* Solo su ordinazione
* Only by order



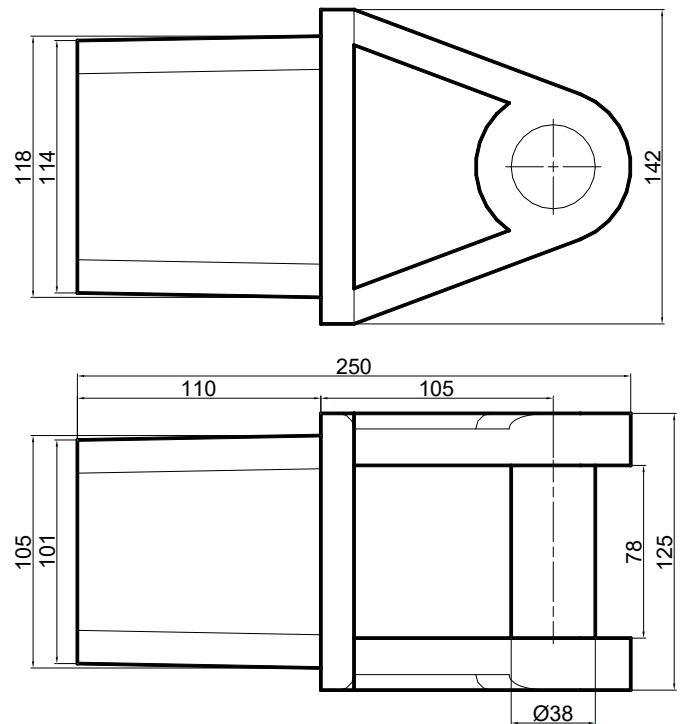
Spina pesante grezza
Heavy raw Locking pin

Art. 25338100
1,000 kg



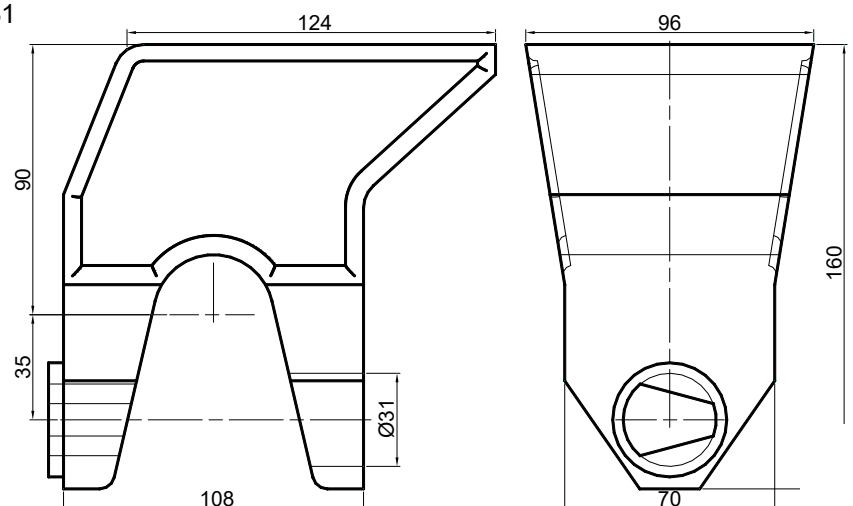
Forcella pesante grezza bocca di lupo
Raw heavy wolf's fork wolf's

Art. 25333100
10,200 kg



Supporto grezzo pesante grezzo con foro Ø31
Heavy raw wolf's support with hole Ø31

Art. 25336100
5,300 kg

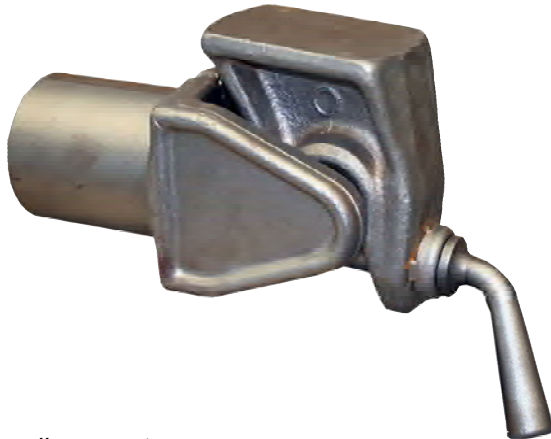




Kit a forcella Portata max 20 Ton.
Complete fork set Load Cap.20 Tons.

Art. 25197100

63,240 kg

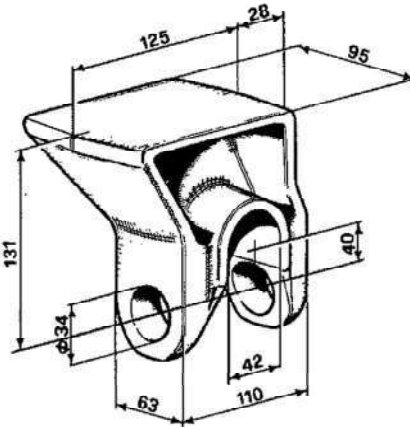


Supporto pesante grezzo

Raw heavy socket

Art. 25197101

4,845 kg

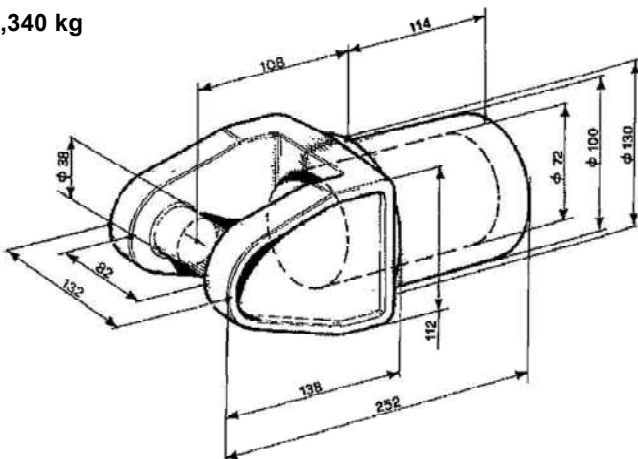


Forcella pesante grezza

Raw heavy fork

Art. 25197102

9,340 kg

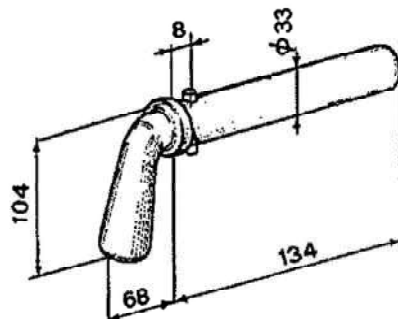


Spina grezza 180°

Raw 180° locking pin

Art. 25197103

1,250 kg

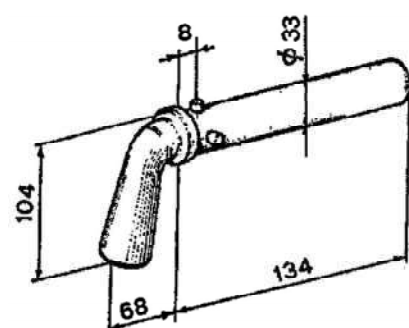


Spina grezza 90°

Raw 90° locking pin

Art. 25197104

1,250 kg

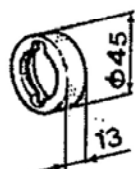


Rondella 180°

180° fluted plate

Art. 25197105

0,025 kg

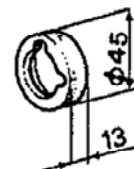


Rondella 90°

90° fluted plate

Art. 25197106

0,025 kg



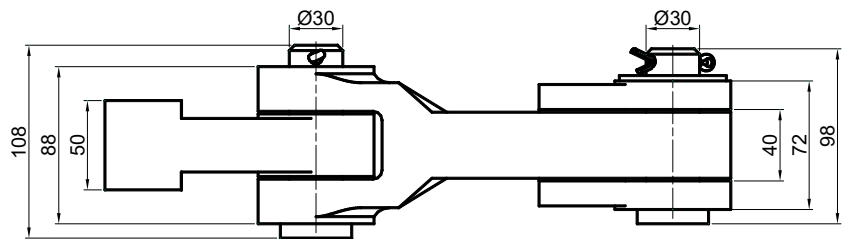
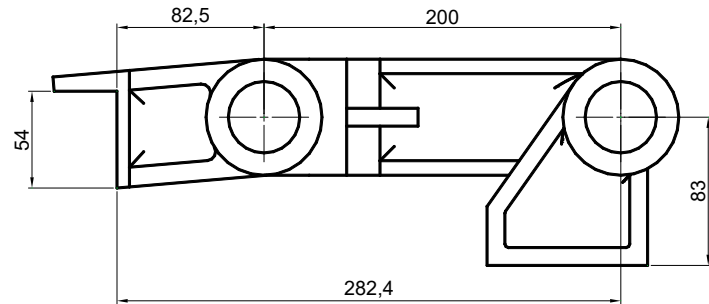
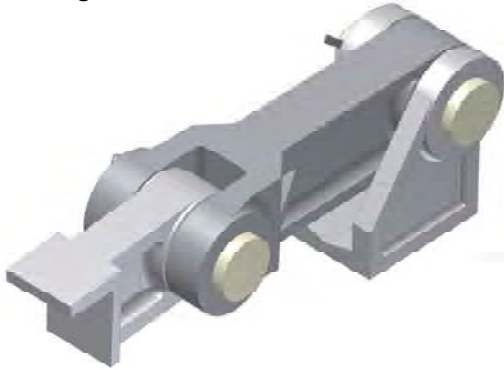


Articolazione leggera grezza per sponda posteriore L 200 da 15 a 19 Ton.

Light raw Double joint arm, rear door hinge L 200 from 15 to 19 Tons.

Art. 25200200

10,000 kg

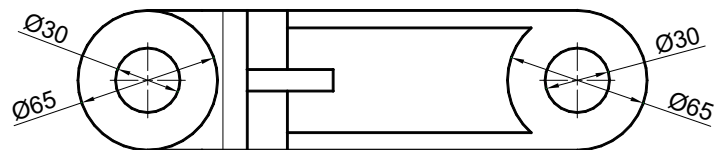
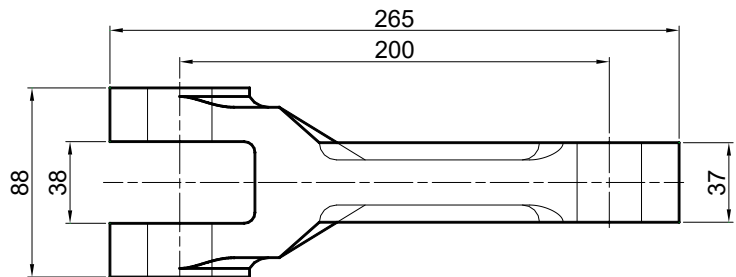


Biella leggera grezza L200 - da 15 a 19 Ton.

Raw Light Arm L200 from 15 to 19 Tons.

Art. 25201002

5,300 kg

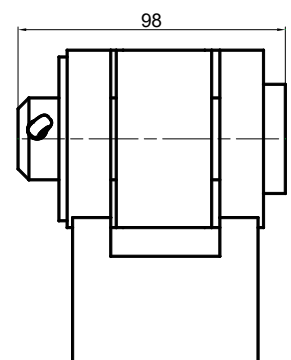
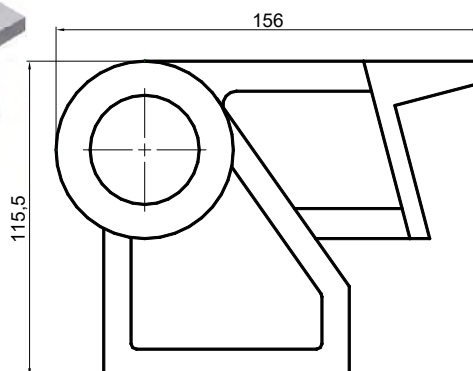
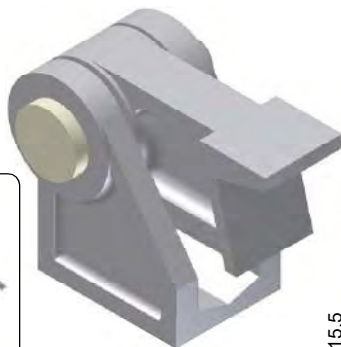


Articolazione grezza per sponda posteriore da 15 a 19 Ton.

Raw Catches high door loks from 15 to 19 Tons.

Art. 25110300

4,500 kg



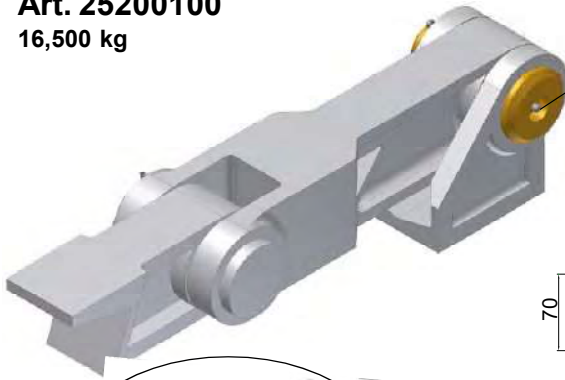


Articolazione pesante grezza per sponda posteriore L 300 da 26 Ton.

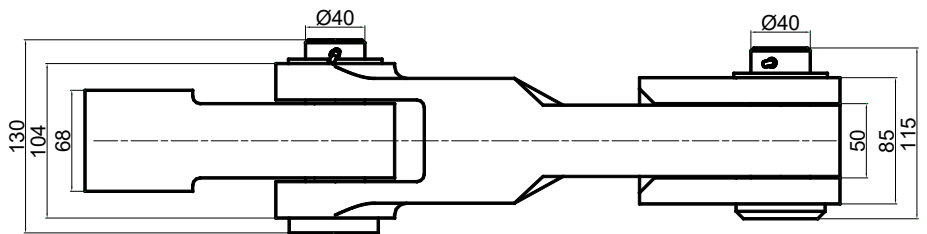
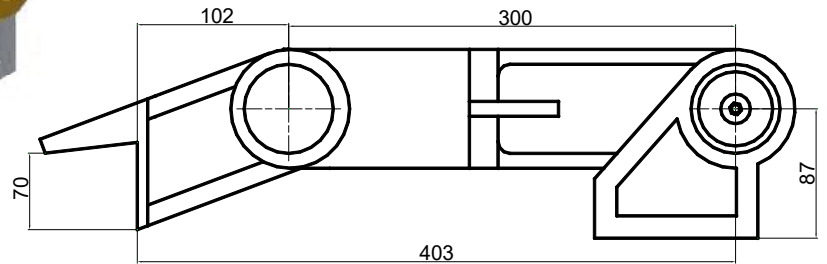
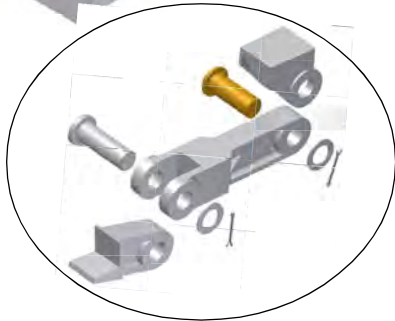
Raw double joint arm, rear door hinge L 300 from 26 Tons.

Art. 25200100

16,500 kg



Ingrassatore
Lubricator

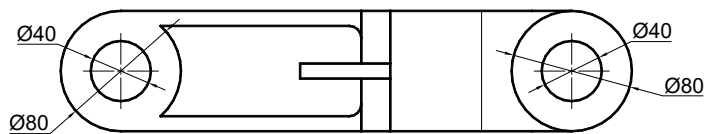
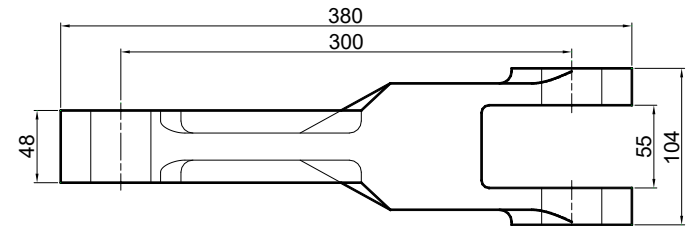


Biella grezza L300 - 26 Ton.

Raw Arm L300 - 26 Tons.

Art. 25201001

7,600 kg

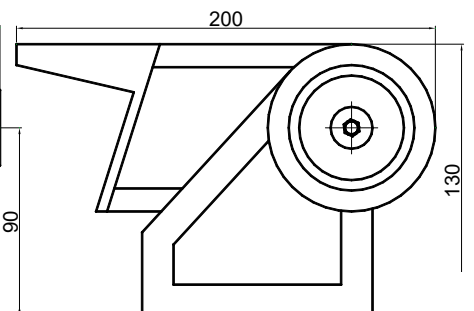
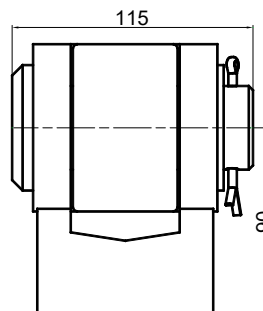
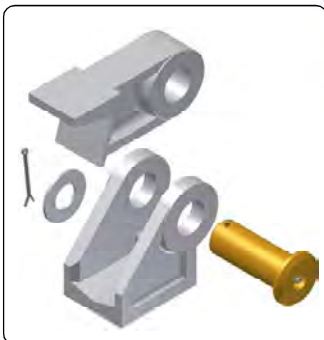
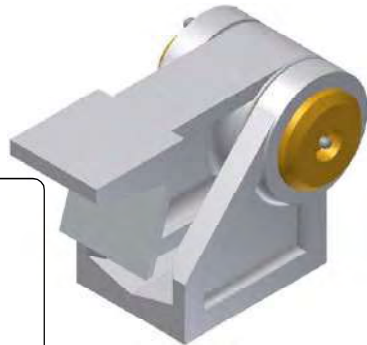


Articolazione grezza per sponda posteriore Pesante da 26 Ton.

Heavy raw Catches high door loks 26 Tons.

Art. 25110100

8,500 kg





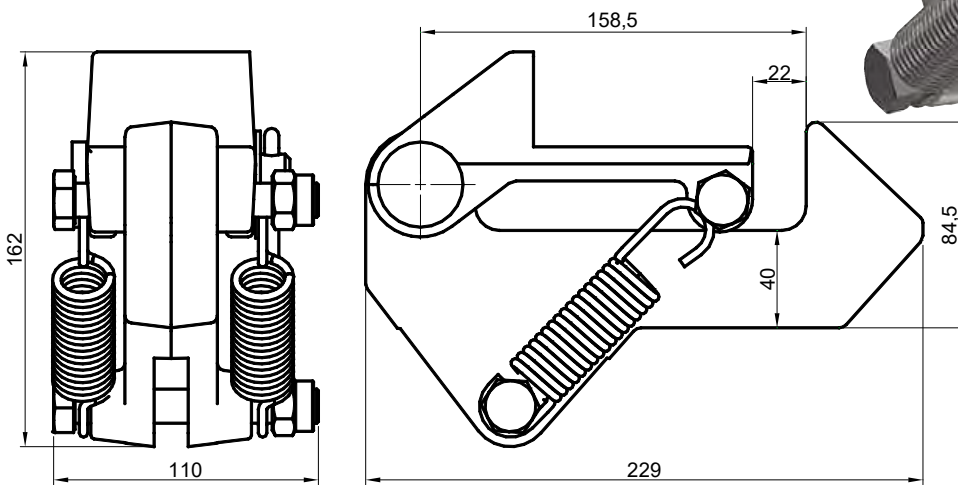
Chiusura grezza automatica sponda posteriore da 26 Ton.
Automatic raw closing for rear sideboard from 26 Tons.

Art. 25704240

6,000 kg



molla / spring
Art. 25704240-3



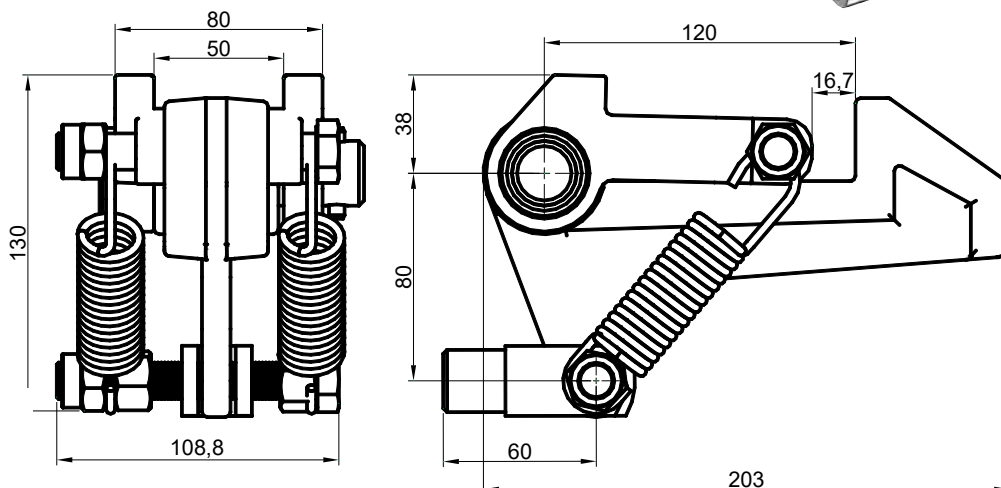
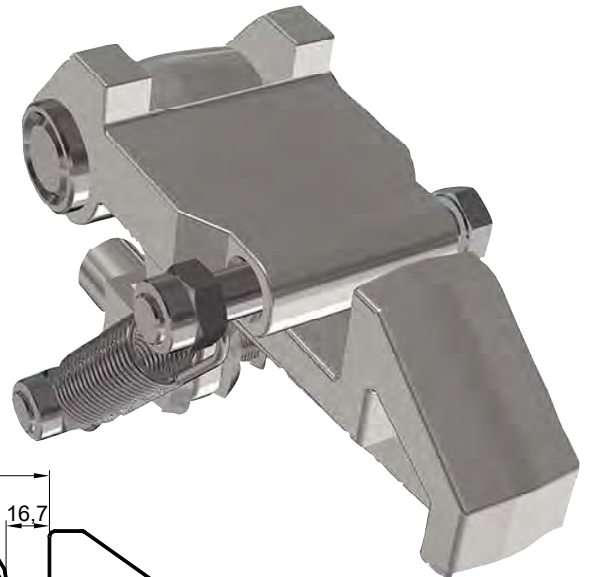
Chiusura grezza automatica sponda posteriore da 19 Ton.
Automatic raw closing for rear sideboard from 19 Tons.

Art. 25230100

4,700 kg



molla / spring
Art. 25230100-3

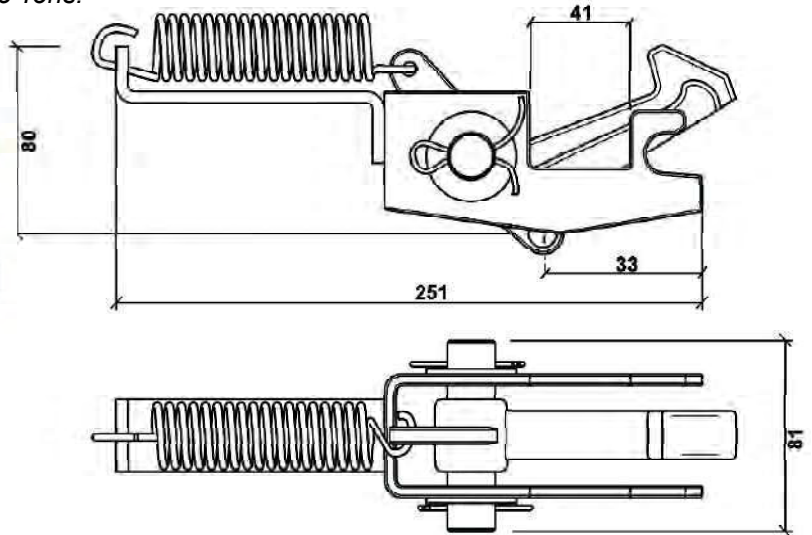
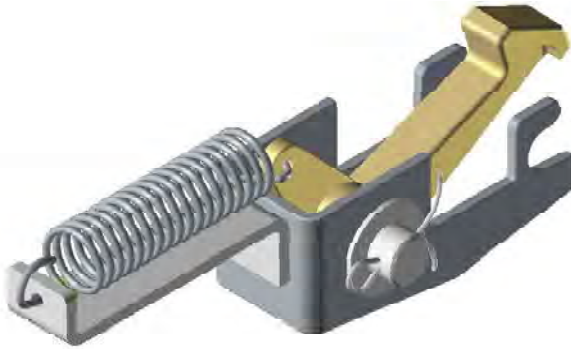




Chiusura grezza automatica sponda posteriore da 3,5 Ton.
Automatic raw closing for rear sideboard from 3,5 Tons.

Art. 15428020

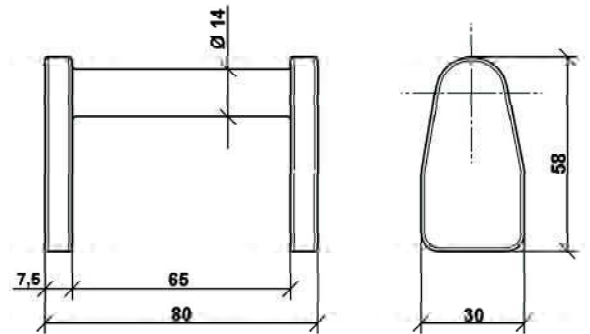
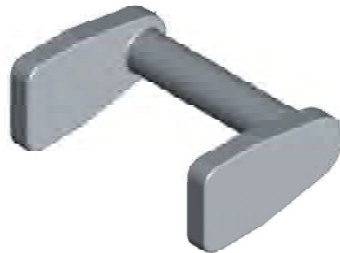
1,400 kg



Riscontro grezzo per chiusura automatica 3,5 Ton.
Raw slip for automatic opening 3,5 Tons.

Art. 15428120

0,270 kg



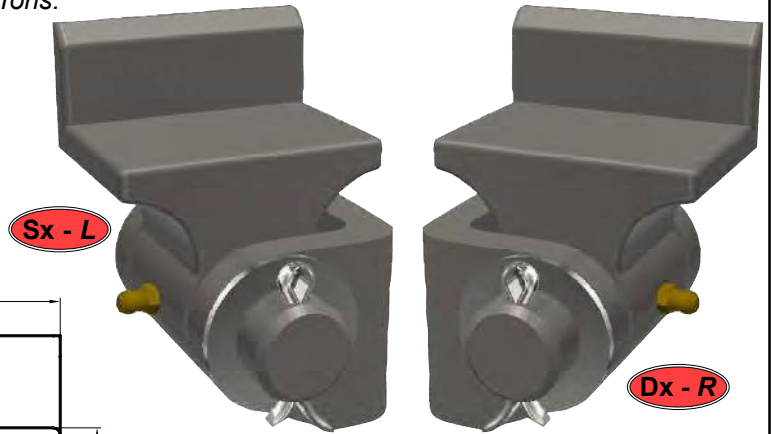
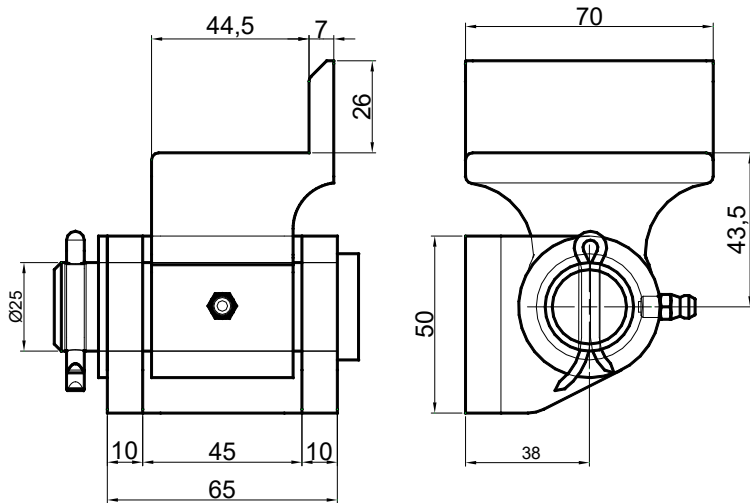


Complesso per ribaltabili posteriori leggeri grezzo 3,5 Ton.
Light rear tilting raw bodies assembly capacity load 3,5 Tons.

Art. 25385100/R

Art. 25385100/L

1,610 kg

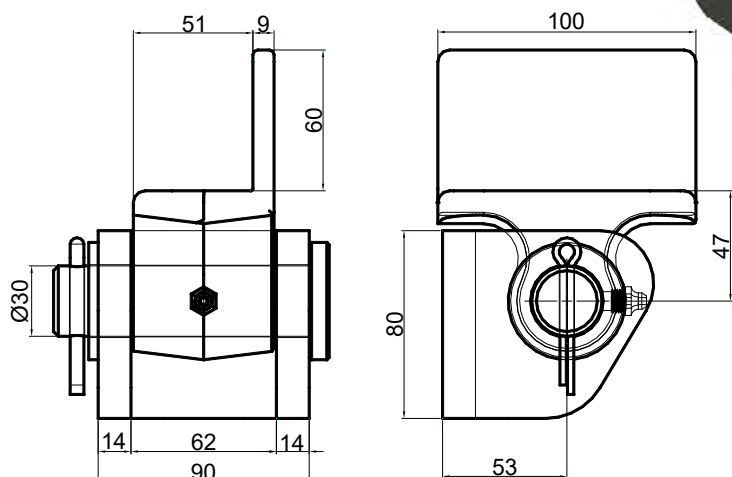


Complesso per ribaltabili posteriori pesanti grezzo 5 Ton.
Heavy rear tilting raw bodies assembly capacity load 5 Tons.

Art. 25395100/R

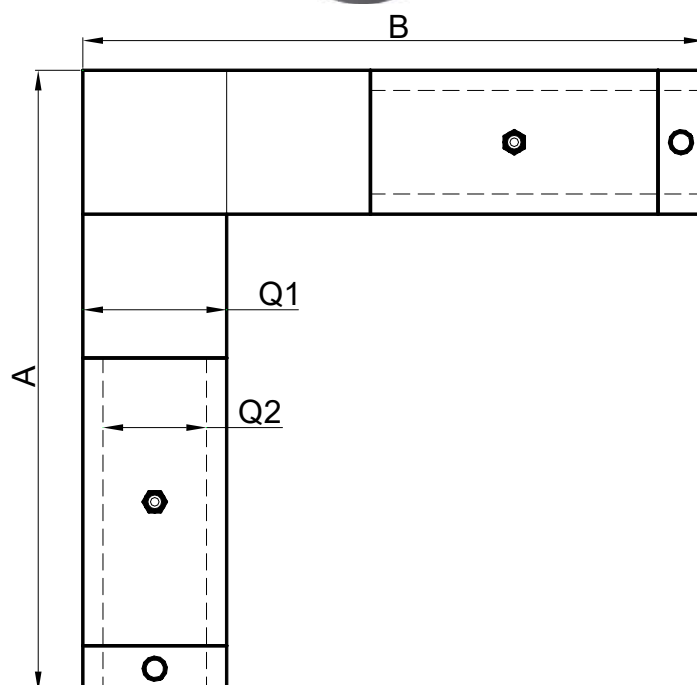
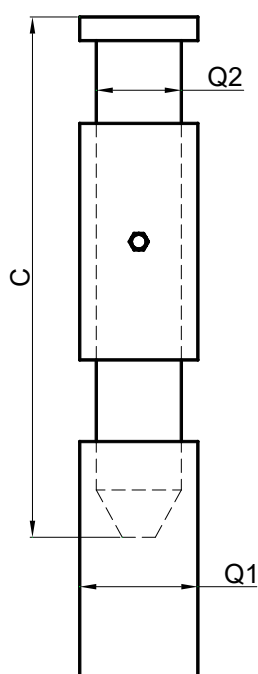
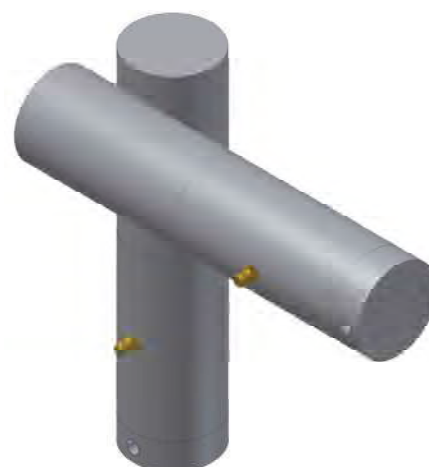
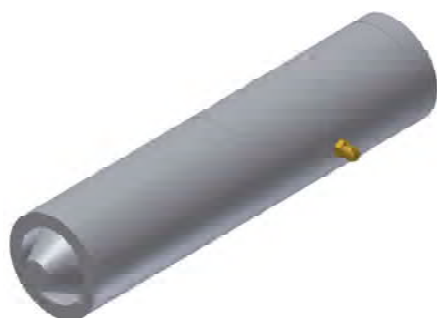
Art. 25395100/L

4,315 kg





Cerniera apertura a libro
Rear door hinge



Cerniera Inferiore
Down hinge

Cerniera Superiore
Upper hinge

Articolo - Article		Dimensioni - Dimensions mm					Peso - Weigh kg	
Inferiore Down	Superiore Upper	Q1	Q2	A	B	C	Inferiore Down	Superiore Upper
80301710	80301720	30	18	134	134	140	0,710	1,455
80352710	80352720	35	25	179	179	185	1,317	2,630
80403210	80403220	40	27	174	174	180	1,720	3,460
80504010	80504020	50	35	216	216	220	3,200	6,590
80605010	80605020	60	45	214	214	227	4,600	9,200
80765310	80765020	75	55	194	268	232	7,800	14,600

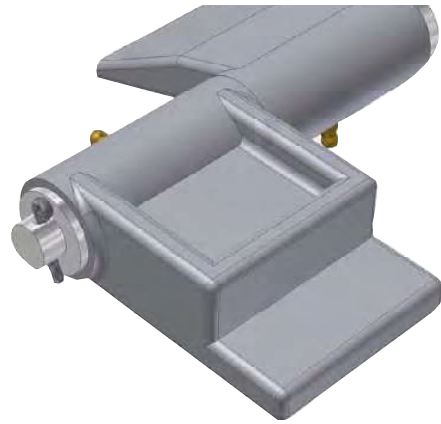


Kit completo cerniere pesanti grezze, porte a ventaglio 19 Ton

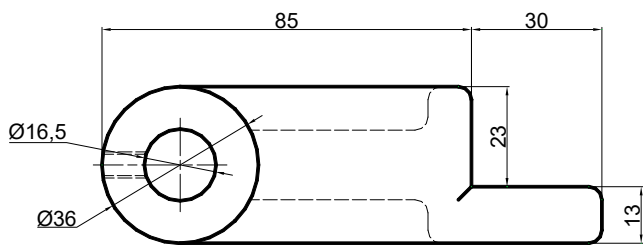
Kit complet charnière porte à ventaux 19 Tons

Art. 25000200

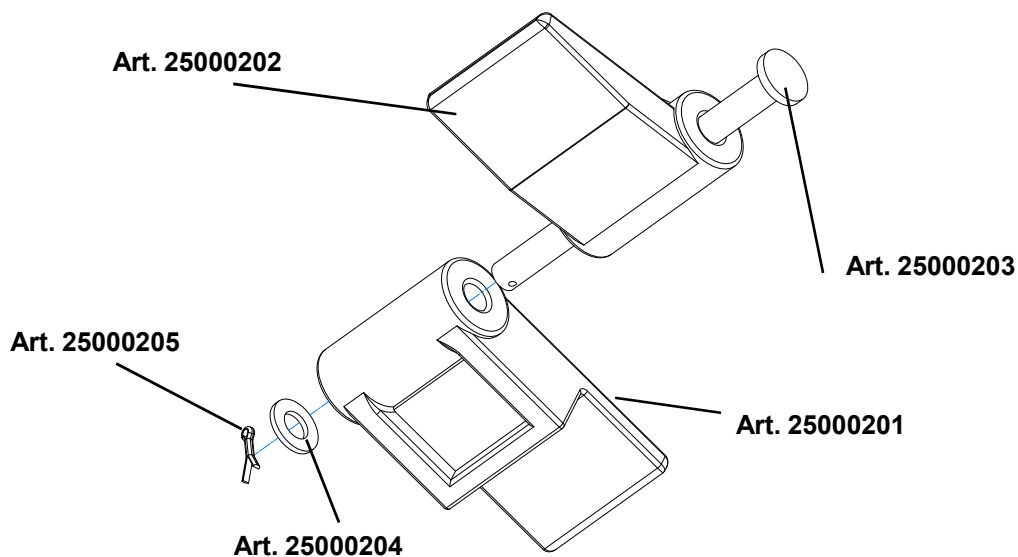
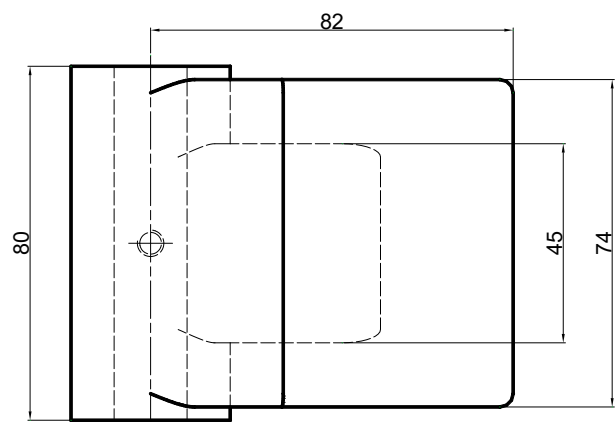
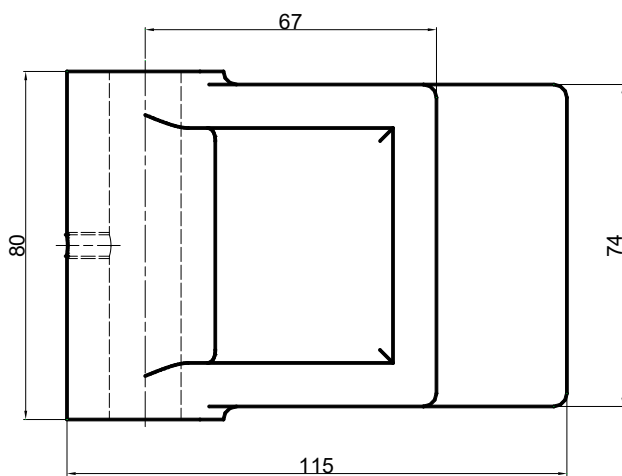
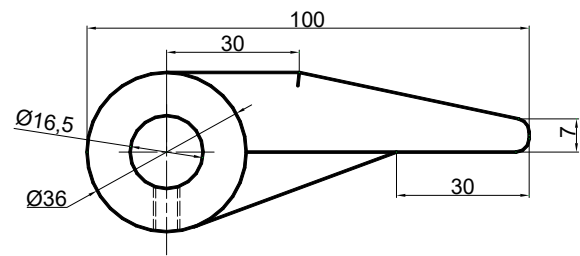
3,800 Kg



Art. 25000201



Art. 25000202



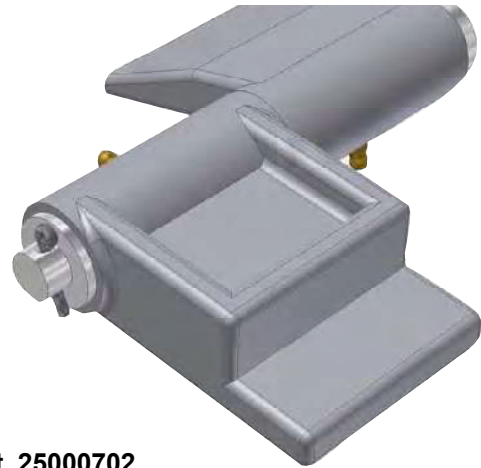


Kit completo cerniere pesanti grezze, porte a ventaglio 26 Ton.

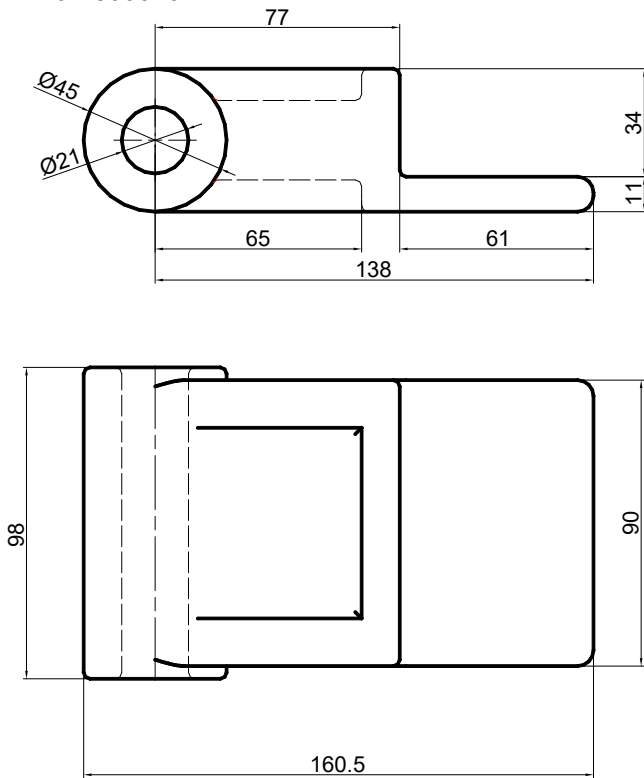
Kit complet charnière porte à ventaux 26 Tons.

Art. 25000700

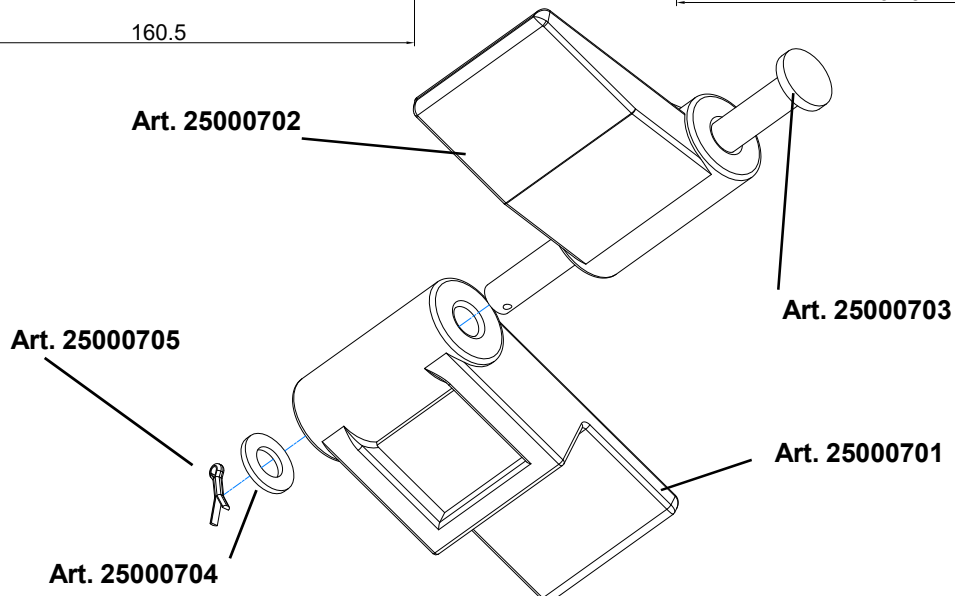
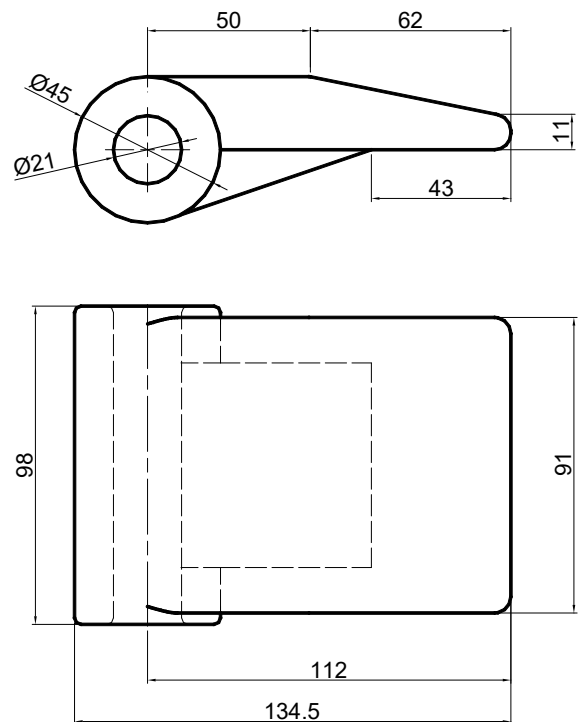
5,200 Kg



Art. 25000701



Art. 25000702





KOUTSOFTA
BROS.

A&G KOUTSOFTA BROS LTD

23 Markou Drakou, Dasaki Achnas, Cyprus

koutsoftabros@cytanet.com.cy

Tel: +357 24722500



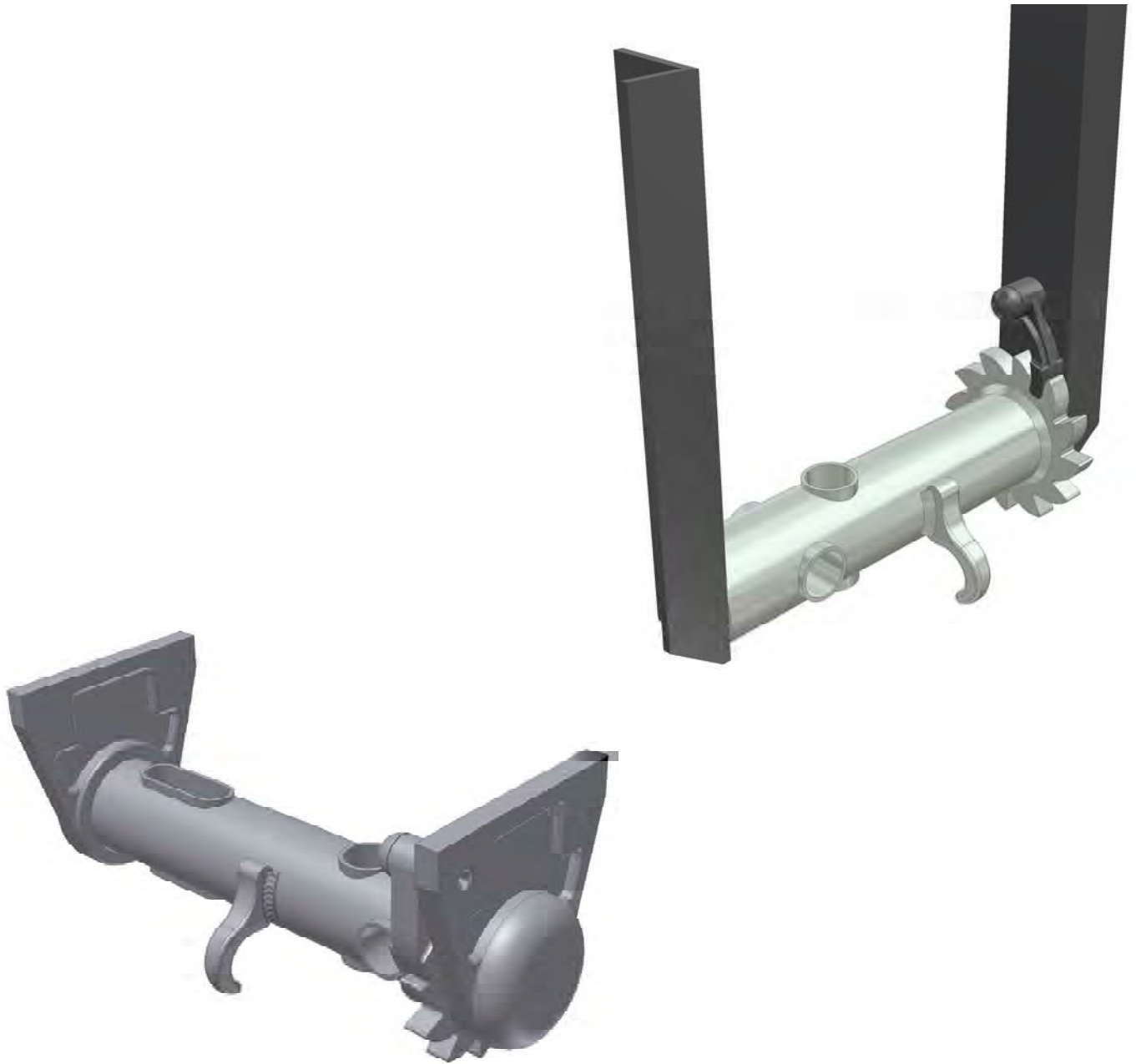
KOUTSOFTA
BROS.

A&G KOUTSOFTA BROS LTD

23 Markou Drakou, Dasaki Achnas, Cyprus

koutsoftabros@cytanet.com.cy

Tel: +357 24722500



5

- Verricelli
- *Winches*



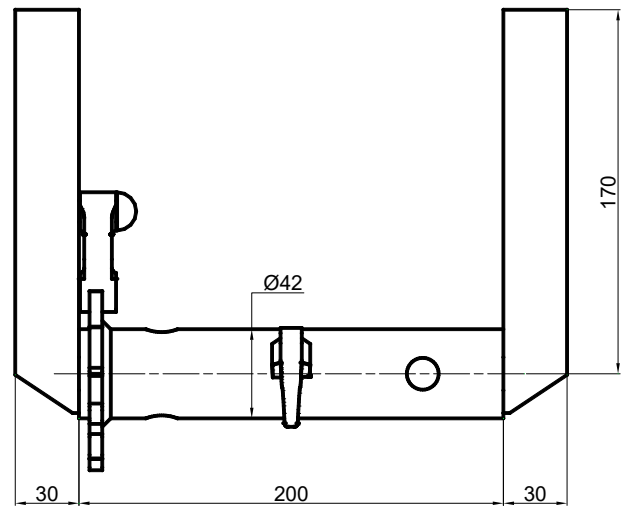
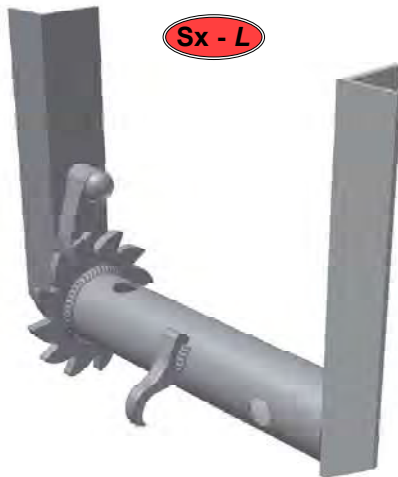
Verricello Ø42 grezzo

Raw winch Ø42

Art. 30106542/R

Art. 30106542/L

1,830 kg



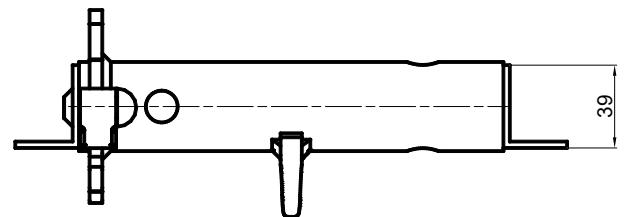
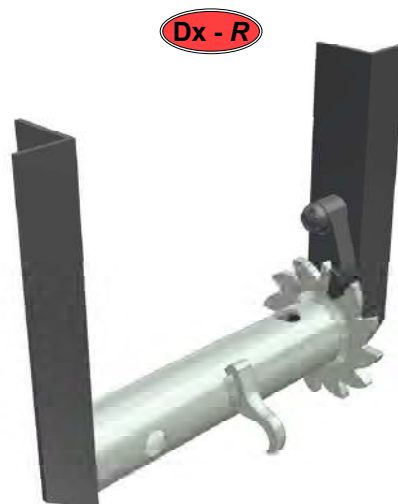
Verricello Ø42 zincato staffe verniciate nere

Zinc plated winch Ø42 black painted brackets

Art. 30106542/1R

Art. 30106542/1L

1,830 kg





Verricello rinforzato Ø48 grezzo
Raw strengthened winch Ø48

Art. 30106846/R

Art. 30106846/L

2,100 kg

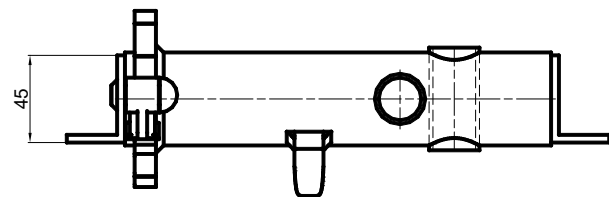
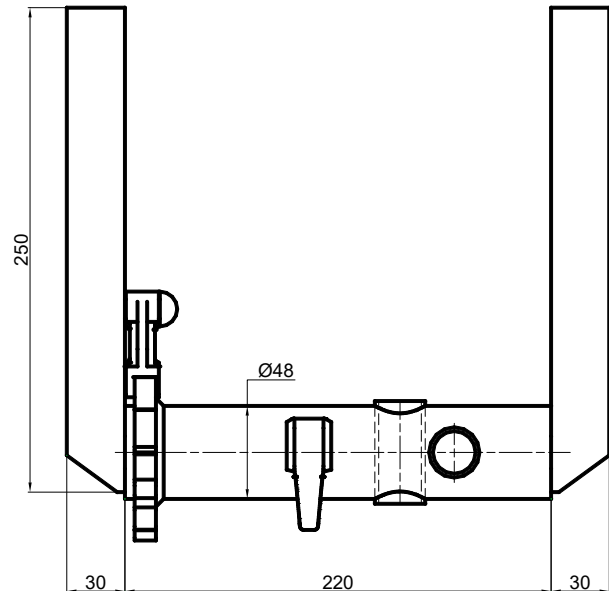


Verricello rinforzato Ø48 zincato staffe verniciate nere
Zinc plated strengthened winch Ø48 black painted brackets

Art. 30106846/1R

Art. 30106846/1L

2,100 kg





Verricello rinforzato Ø48 grezzo con asola
Raw strengthened winch Ø48 with slots



10 Pcs.

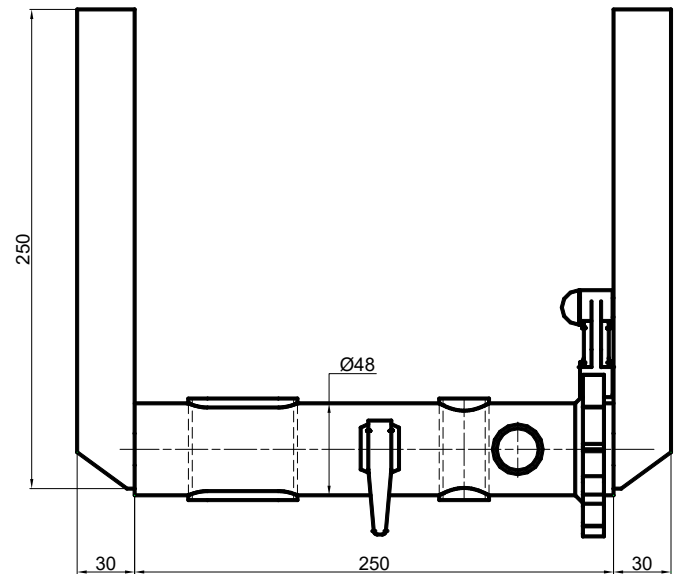
Art. 30106841/R

Art. 30106841/L

2,100 kg



Dx - R



Verricello zincato rinforzato Ø48 con asola staffe verniciate nere
Zinc plated strengthened winch Ø48 with slots black painted brackets

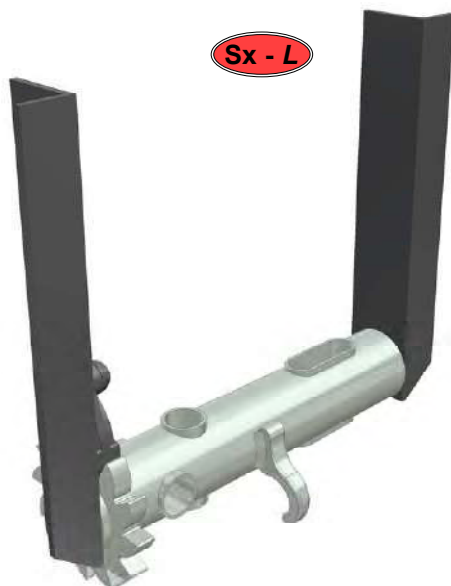


10 Pcs.

Art. 30106841/1R

Art. 30106841/1L

2,100 kg



Sx - L

Verricello Ø48 con asola zincato
Zinc plated winch Ø48 with slot

Art. 30106841/2R

Art. 30106841/2L



Dx - R

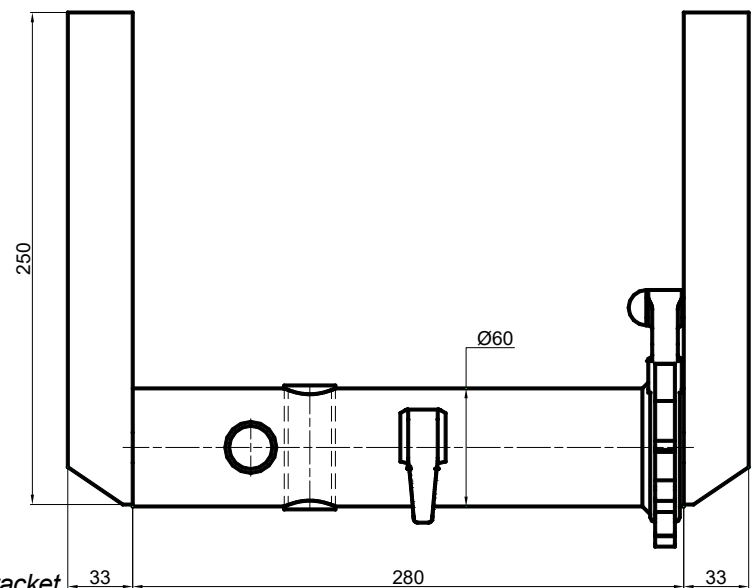


Verricello rinforzato Ø60 grezzo
Raw strengthened winch Ø60

Art. 30060512/R

Art. 30060512/L

3,500 kg

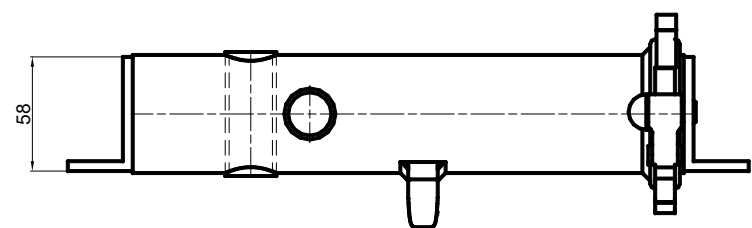
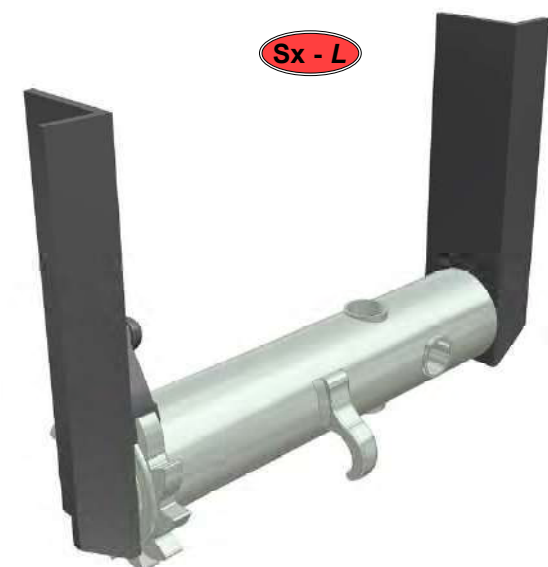


Verricello rinforzaro Ø60 zincato con staffe verniciate nero
Zinc plated strengthened winch Ø60 with black painted bracket

Art. 30060512/1R

Art. 30060512/1L

3,500 kg





Verricello rinforzato Ø60 grezzo con asola
Raw strengthened winch Ø60 with slots

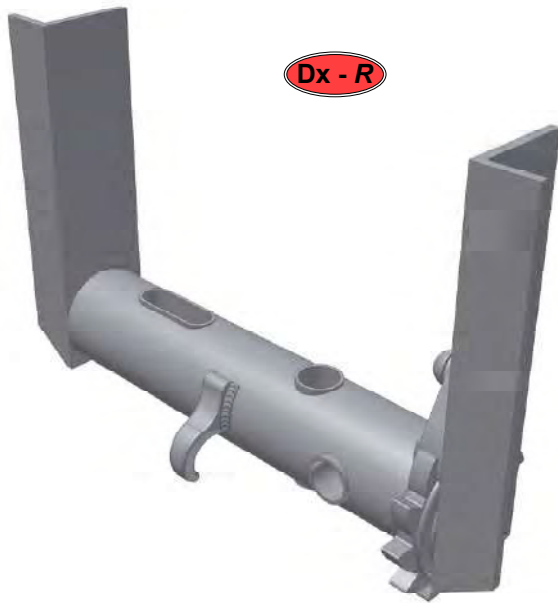


8 Pcs.

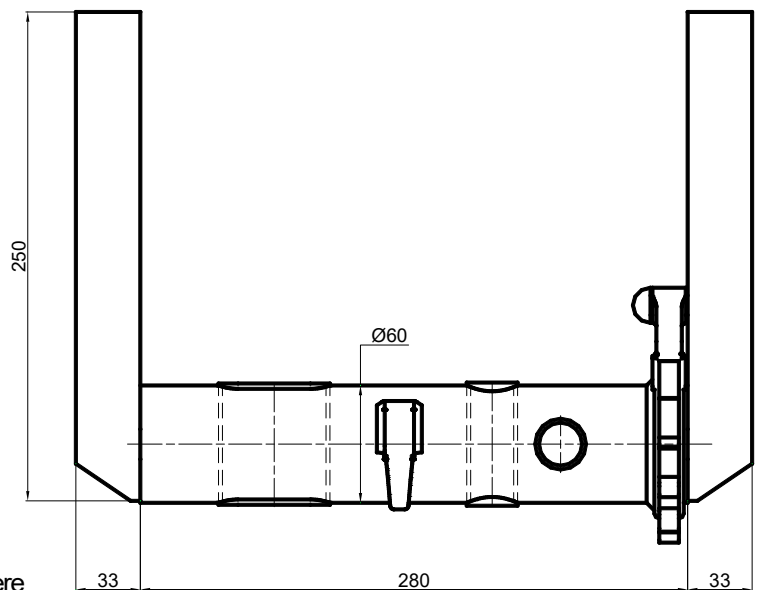
Art. 30060600/R

Art. 30060600/L

3,500 kg



Dx - R



Verricello rinforzato Ø60 zincato con asola staffe verniciate nere
Zinc plated strengthened winch Ø60 with slots black painted brackets



8 Pcs.

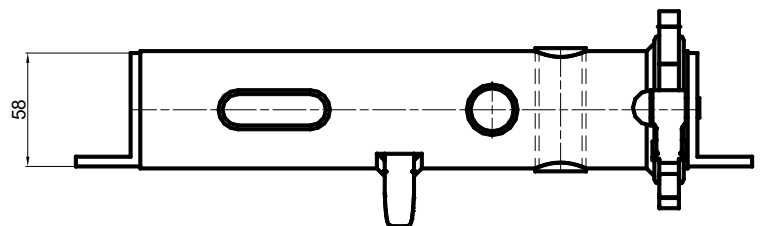
Art. 30060600/1R

Art. 30060600/1L

3,500 kg



Sx - L



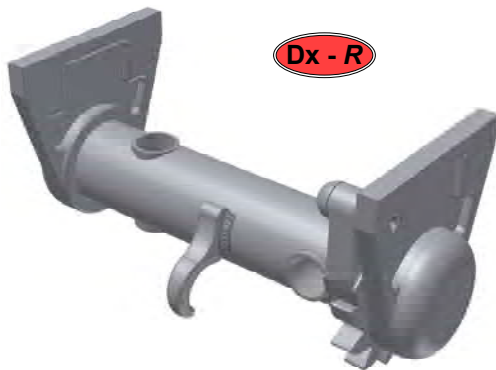
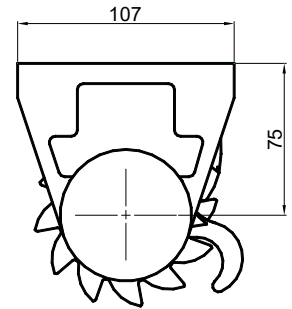
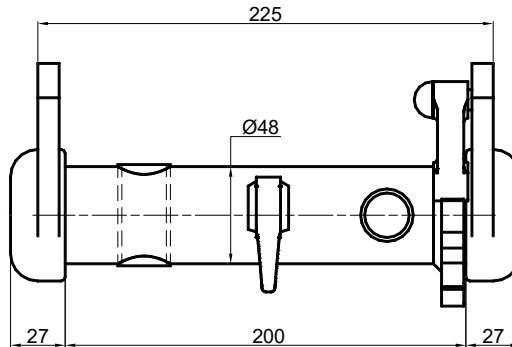


Verricello rinforzato Ø48 grezzi con facciate stampate, fori rinforzati
Raw strengthened winch Ø48 with forged sides support, with holes

Art. 30106832 Destro - *Right*

Art. 30106842 Sinistro - *Left*

2,500 kg

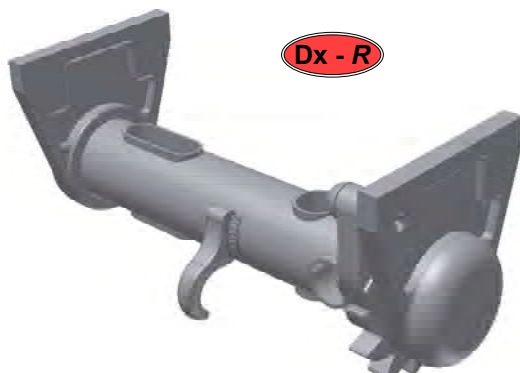
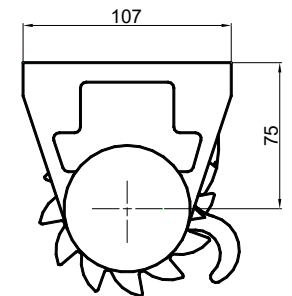
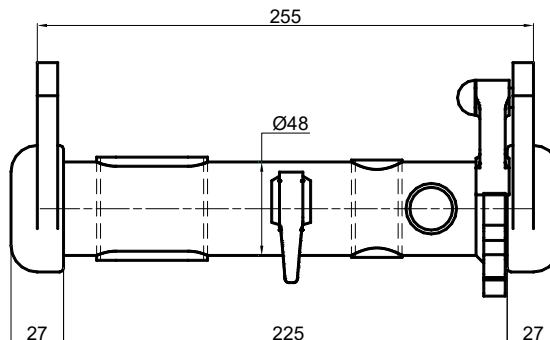


Verricello rinforzato Ø48 grezzi con facciate stampate, fori rinforzati con asola
Raw strengthened winch Ø48 with forged sides support, with slots

Art. 30106862 Destro - *Right*

Art. 30106863 Sinistro - *Left*

2,700 kg



Verricello Ø48 con asola zincato
Zinc plated winch Ø48 with slot

Art. 30106862/1

Art. 30106863/1



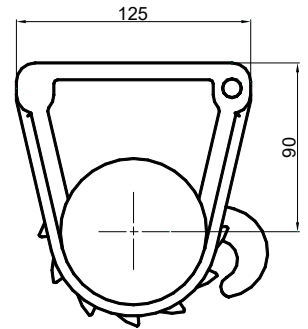
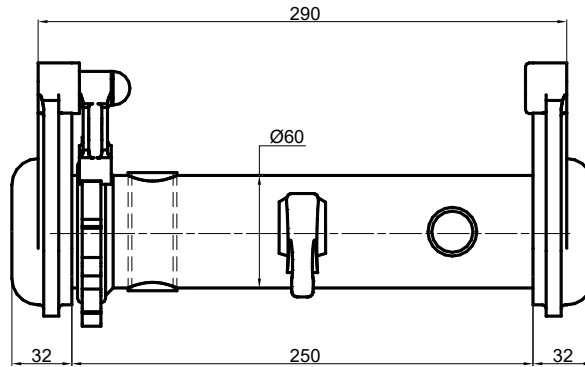


Verricelli Ø60 grezzi con facciate stampate, fori rinforzati
Raw strengthened winch Ø60 with forged sides support, with holes

Art. 30060801 Destro - Right

Art. 30060800 Sinistro - Left

5,000 kg



Sx - L

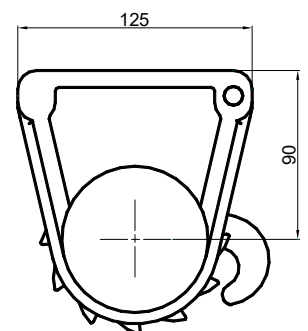
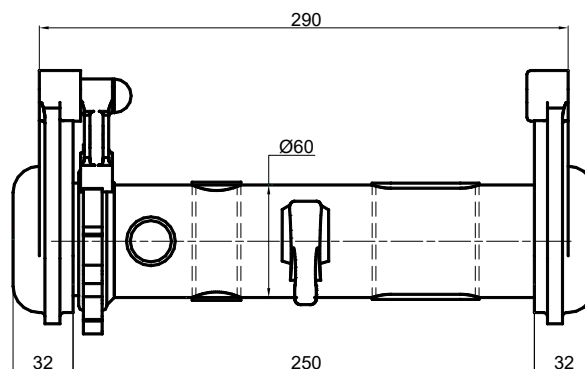


Verricello rinforzato Ø60 grezzi con facciate stampate, fori rinforzati con asola
Raw winch Ø60 with forged sides support, with slots

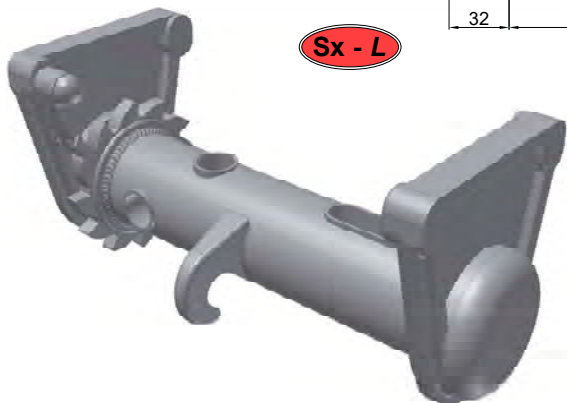
Art. 30060901 Destro - Right

Art. 30060900 Sinistro - Left

5,300 kg



Sx - L





KOUTSOFTA
BROS.

A&G KOUTSOFTA BROS LTD

23 Markou Drakou, Dasaki Achnas, Cyprus

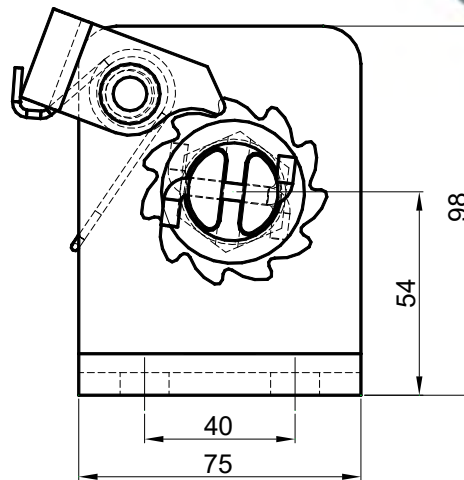
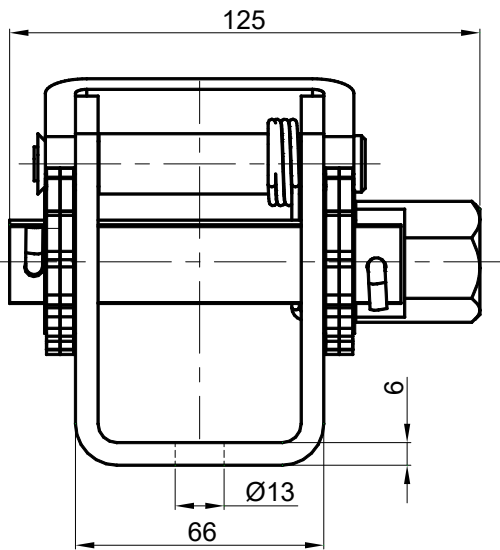
koutsoftabros@cytanet.com.cy

Tel: +357 24722500

Verricello verniciato nero con vite zincata per cinghie da 50 capacità 5.000 kg
Hand winch black painted, zinc plated axle, for 50 webbing belt load 5.000 kg

Art. 30106848

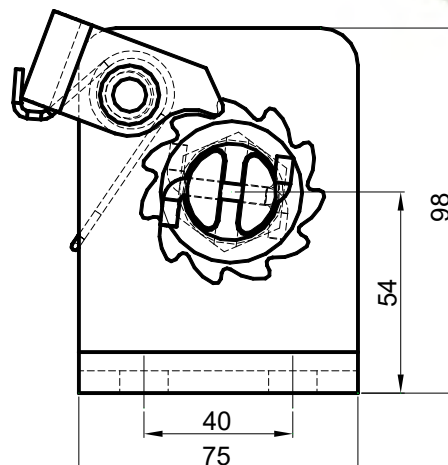
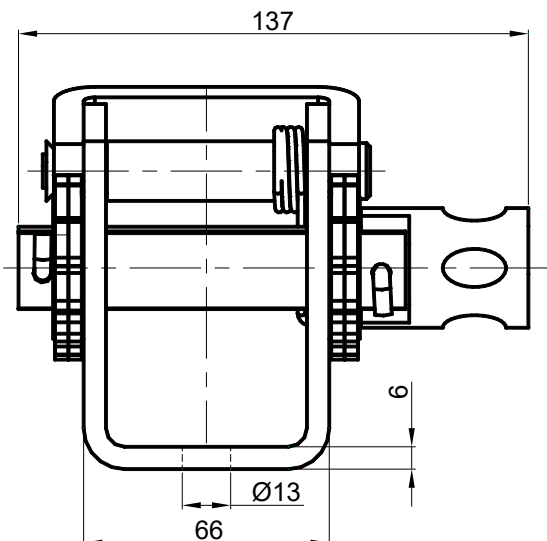
1,600 kg



Verricello verniciato nero con vite zincata per cinghie da 50 capacità 5.000 kg
Hand winch black painted, zinc plated axle, for 50 webbing belt load 5.000 kg

Art. 30106849

1,600 kg



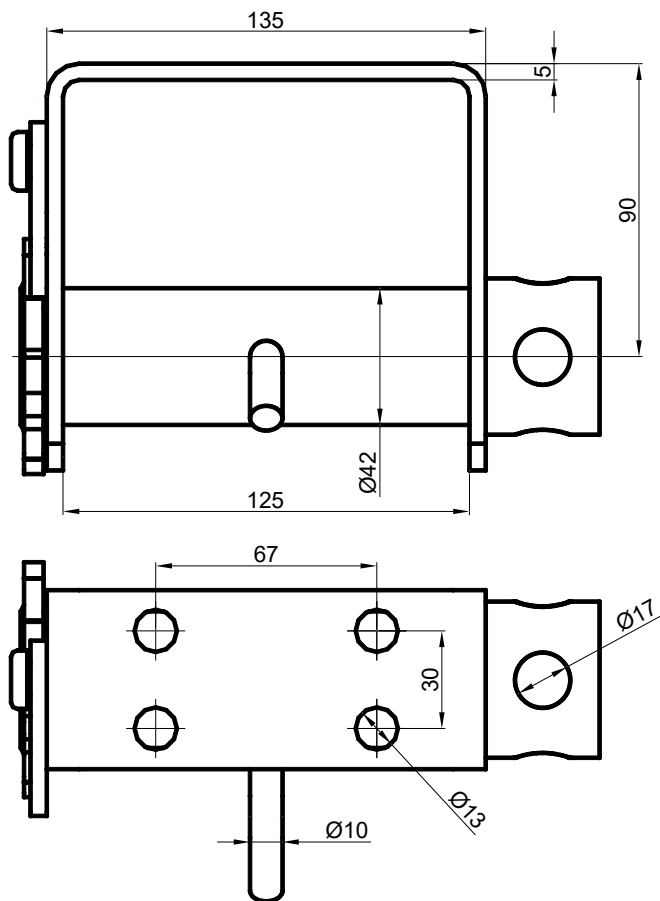


Verricello Ø42 leggero verniciato nero

Black painted Ø42 light winch

Art. 30110551

1,320 kg





KOUTSOFTA
BROS.

A&G KOUTSOFTA BROS LTD

23 Markou Drakou, Dasaki Achnas, Cyprus

koutsoftabros@cytanet.com.cy

Tel: +357 24722500



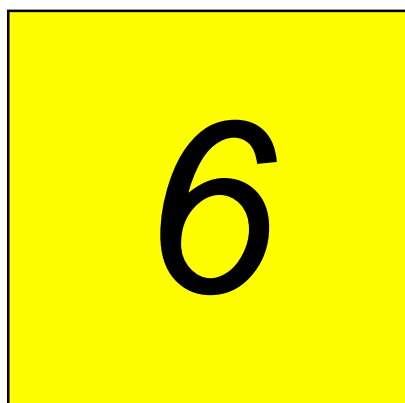
KOUTSOFTA
BROS.

A&G KOUTSOFTA BROS LTD

23 Markou Drakou, Dasaki Achnas, Cyprus

koutsoftabros@cytanet.com.cy

Tel: +357 24722500



- Piantoni in alluminio
- Piantoni in ferro
- Testate
- Taschette ed innesti
- Accessori

- *Alluminium pillars*
- *Steel pillars*
- *Head*
- *Fittings for pillars*



Piantone in alluminio TL35
TL35 aluminium pillar

10 Pz. Dx
10 Pz. Sx



Articolo Article	Altezza Height
35250300	300
35250400	400
35250600	600

**Destro
Right**



Angolo in alluminio TL35
Corner aluminium pillar TL35

10 Pz. Dx
10 Pz. Sx



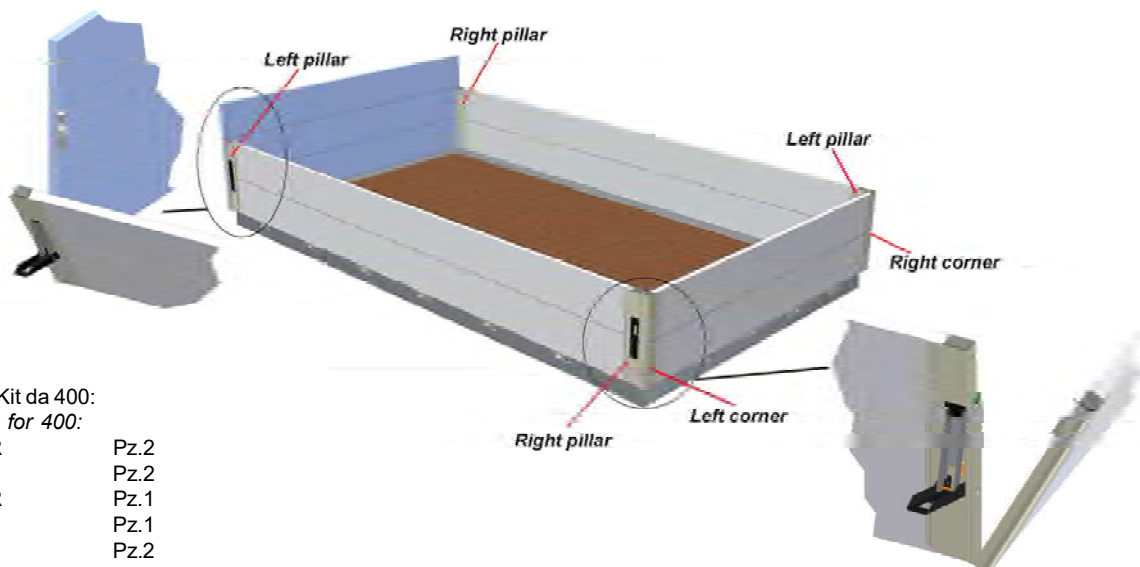
Articolo Article	Altezza Height
35220300	300
35220400	400
35220600	600

**Sinistro
Left**



Riscontro per piantone zincato
Galvanized plated slip for pillar
Art. 35220002

0,060 kg



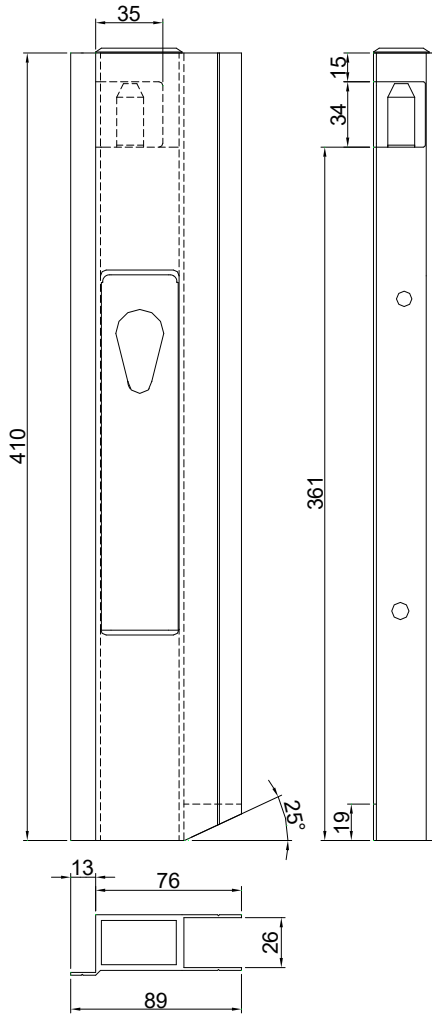
Esempio di Kit da 400:
Example kit for 400:

35250400/R	Pz.2
35250400/L	Pz.2
35220400/R	Pz.1
35220400/L	Pz.1
35220002	Pz.2



Piantone MS in alluminio con battuta
MS Aluminium pillar with ledge
Art. 35200400

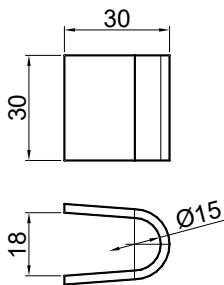
10 Pz. Dx
10 Pz. Sx



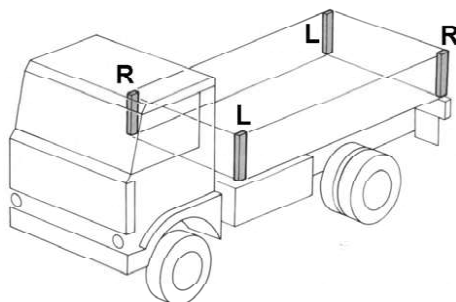
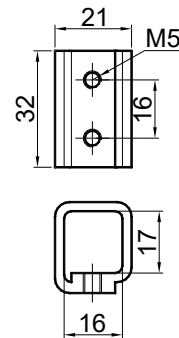
Maniglia in acciaio
Steel handle



Scontrino grezzo da saldare
Raw strike to weld
Art. 35150200
0,030 kg



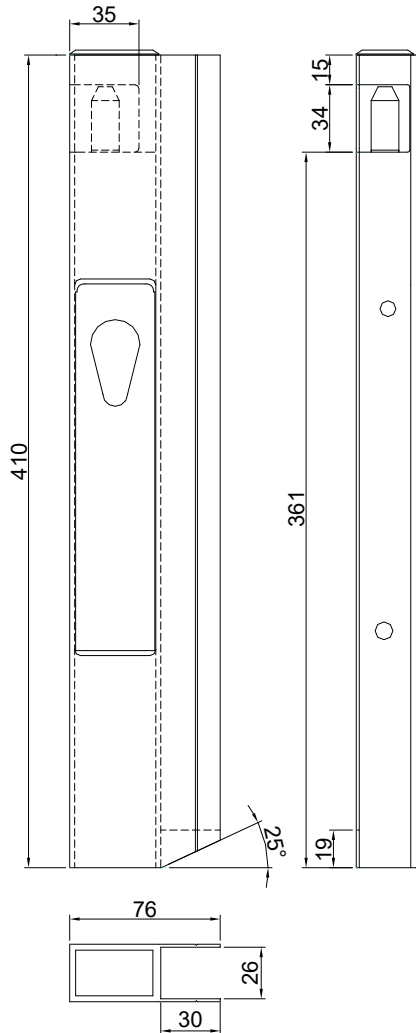
Scontrino zincato da avvitare
Zinc plated strike to be screwed
Art. 35150100
0,050 kg





Piantone MS in alluminio senza battuta
MS Aluminium pillar without ledge
Art. 35210400

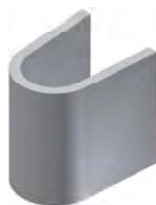
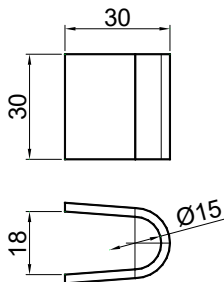
10 Pz. Dx
10 Pz. Sx



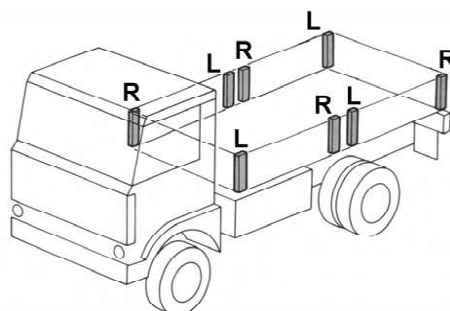
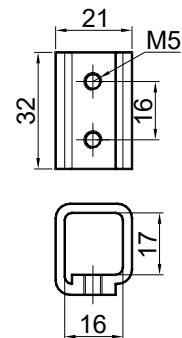
Maniglia in acciaio
Steel handle



Scontrino grezzo da saldare
Raw strike to weld
Art. 35150200
0,030 kg

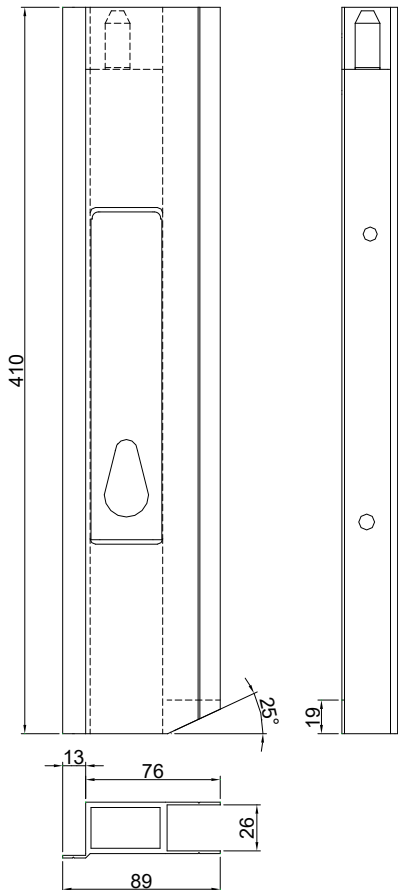


Scontrino zincato da avvitare
Zinc plated strike to be screwed
Art. 35150100
0,050 kg





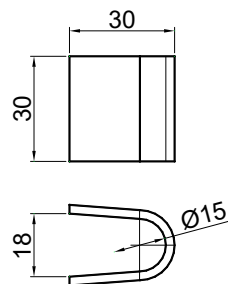
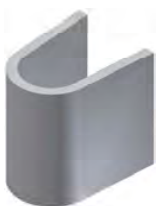
Piantone EVO in alluminio con battuta maniglia ribaltabile 10 Pz. Dx
EVO Aluminium pillar with ledge and overturning handle 10 Pz. Sx
Art. 35190400



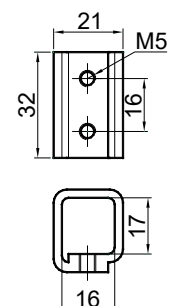
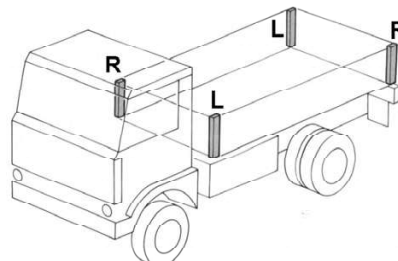
**Maniglia Ribaltabile
in acciaio
Steel Overturning handle**



Scontrino grezzo da saldare
Raw strike to weld
Art. 35150200
0,030 kg

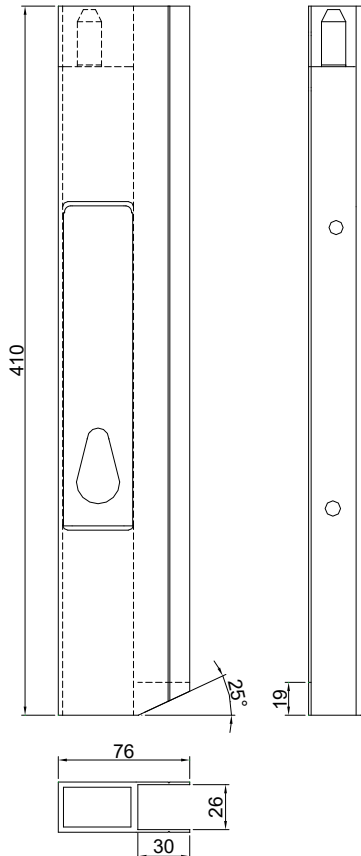


Scontrino zincato da avvitare
Zinc plated strike to be screwed
Art. 35150100
0,050 kg





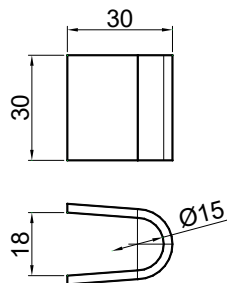
Piantone EVO in alluminio senza battuta maniglia ribaltabile 10 Pz. Dx
 EVO Aluminium pillar without ledge and overturning handle 10 Pz. Sx
Art. 35180400



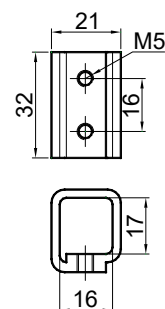
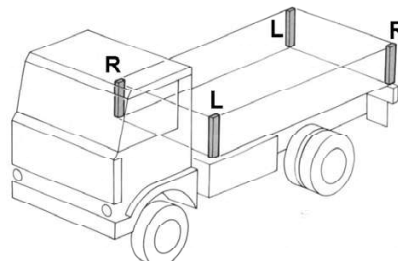
**Maniglia Ribaltabile
in acciaio
Steel Overturning handle**



Scontrino grezzo da saldare
 Raw strike to weld
Art. 35150200
 0,030 kg



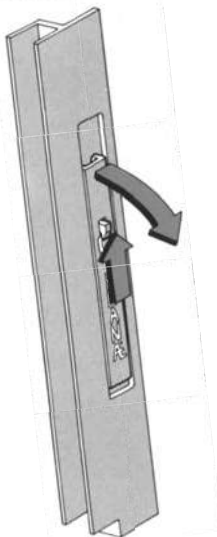
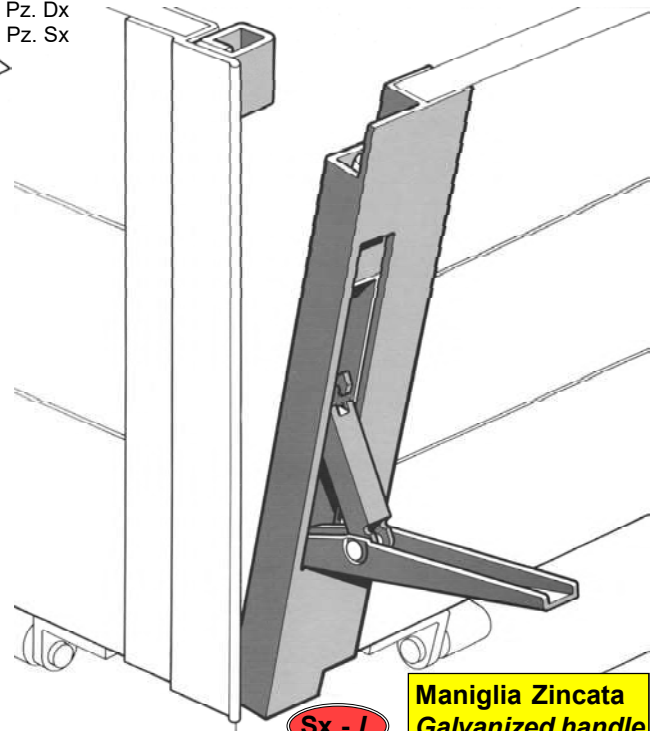
Scontrino zincato da avvitare
 Zinc plated strike to be screwed
Art. 35150100
 0,050 kg





Piantone in alluminio senza Battuta con Sicura
Aluminium pillar without ledge with Safety grip
Verschlüsse für All. Bordwände ohne Anschlag

10 Pz. Dx
 10 Pz. Sx



Articolo Article	Altezza Height
35150300	300
35150400	400
35150500	500
35150600	600
35150800	800

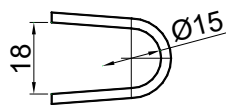
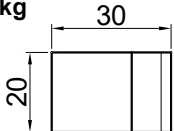
Sicura
Safety gripping

Maniglia Zincata
Galvanized handle
Türklinke verzinkt

Scontrino grezzo da saldare solo per piantoni di L=300
Raw strike to weld only for pillar L=300

Art. 35150250

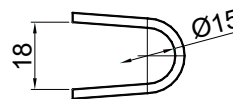
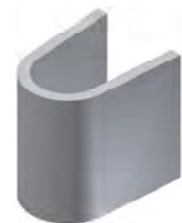
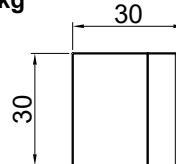
0,025 kg



Scontrino grezzo da saldare
Raw strike to weld

Art. 35150200

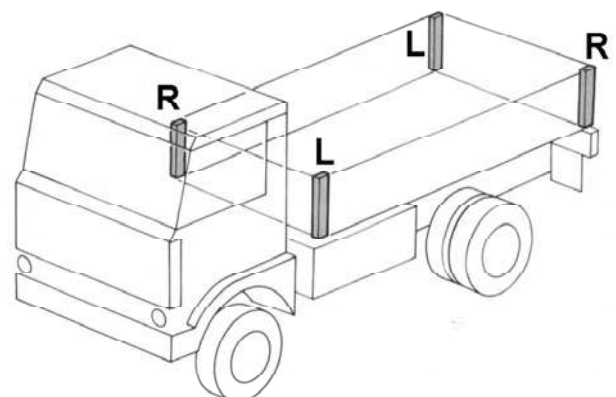
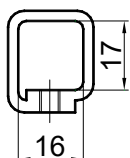
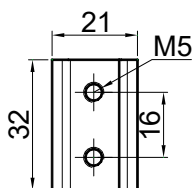
0,030 kg



Scontrino zincato da avvitare
Zinc plated strike to be screwed

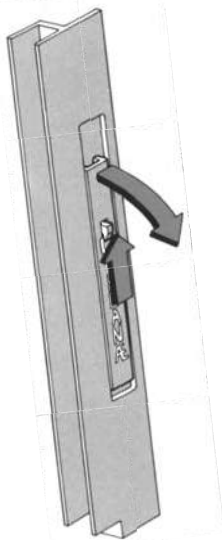
Art. 35150100

0,050 kg



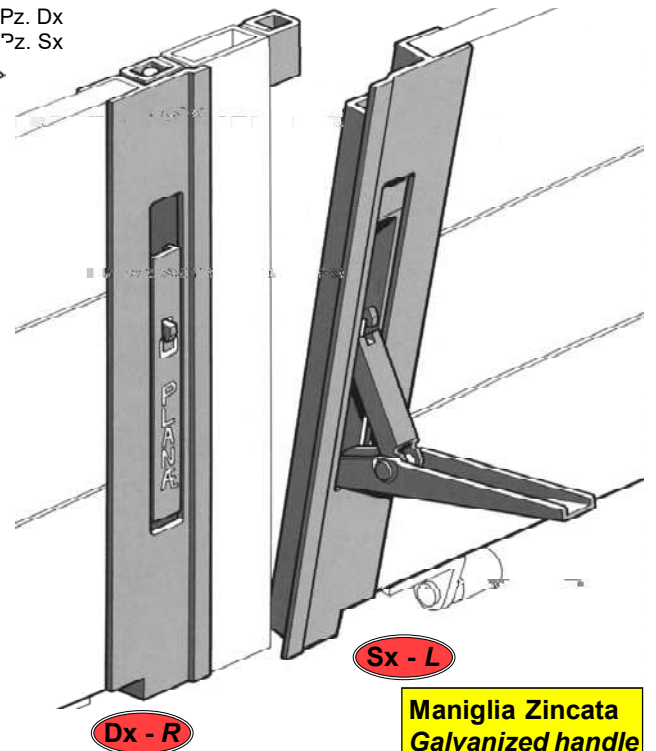
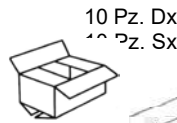


Piantone in alluminio con Battuta con Sicura
Aluminium pillar with ledge with Safety grip
Verschlüsse für All. Bordwände mit Anschlag



Sicura
Safety gripping

Articolo Article	Altezza Height
35160300	300
35160400	400
35160500	500
35160600	600
35160800	800
35160800-1	800 Maniglia Alta High handle

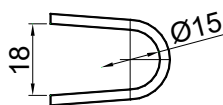
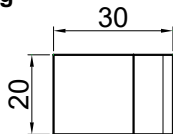


Maniglia Zincata
Galvanized handle
Türklinke verzinkt

Scontrino grezzo da saldare solo per piantoni di L=300
Raw strike to weld only for pillar L=300

Art. 35150250

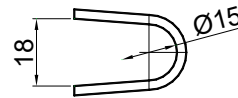
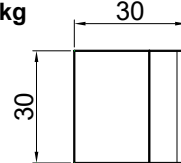
0,025 kg



Scontrino grezzo da saldare
Raw strike to weld

Art. 35150200

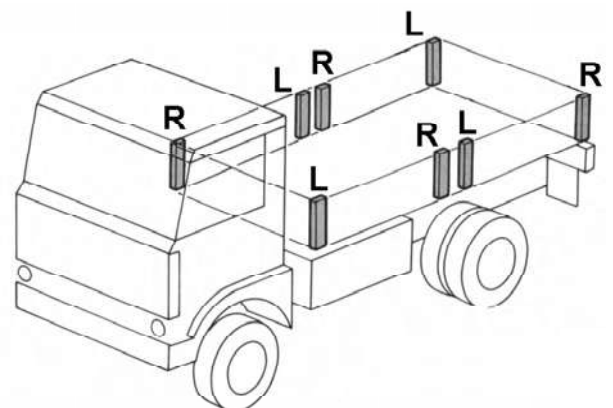
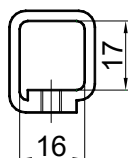
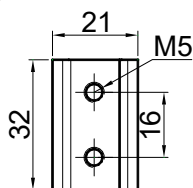
0,030 kg



Scontrino zincato da avvitare
Zinc plated strike to be screwed

Art. 35150100

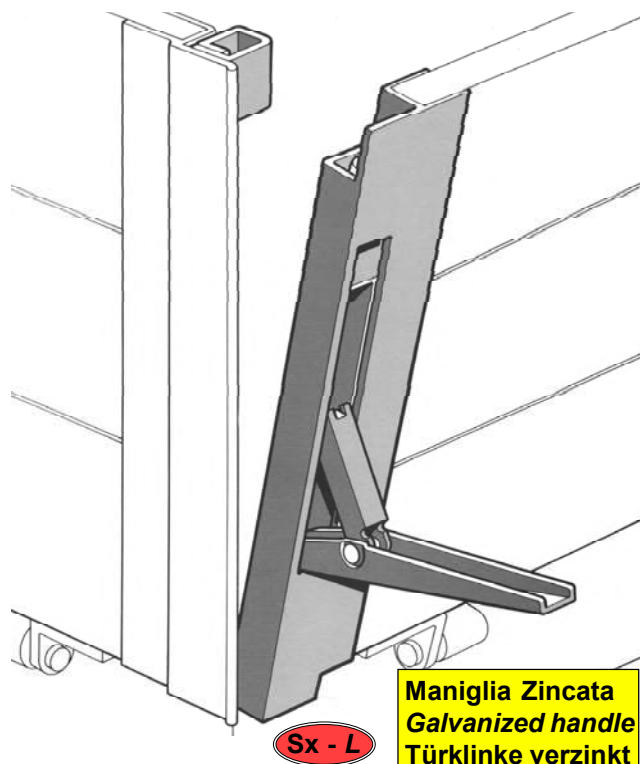
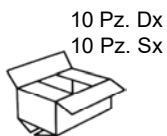
0,050 kg





Piantone in alluminio senza Battuta
Aluminium pillar without ledge
Verschlüsse für All. Bordwände ohne Anschlag

Articolo Article	Altezza Height
35140300	300
35140400	400
35140500	500
35140600	600
35140800	800

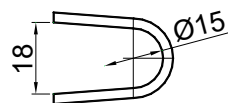
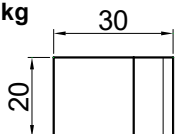


Maniglia Zincata
Galvanized handle
Türklinke verzinkt

Scontrino grezzo da saldare solo per piantoni di L=300
Raw strike to weld only for pillar L=300

Art. 35150250

0,025 kg

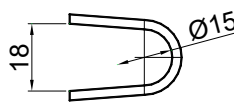
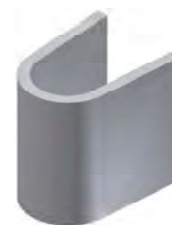
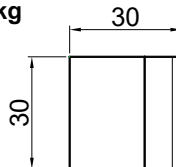


Scontrino grezzo da saldare

Raw strike to weld

Art. 35150200

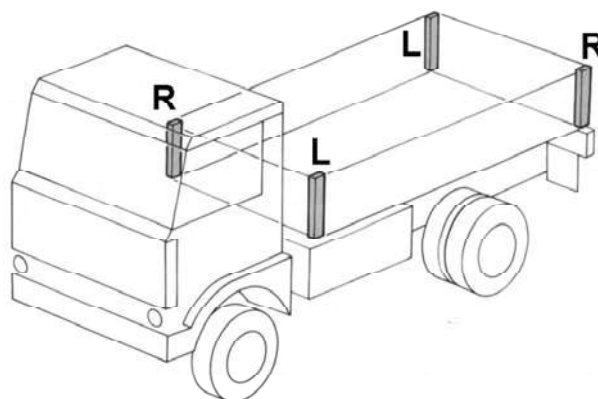
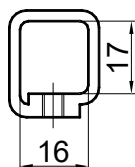
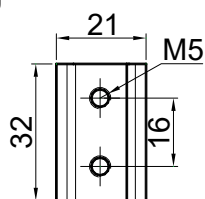
0,030 kg



Scontrino zincato da avvitare
Zinc plated strike to be screwed

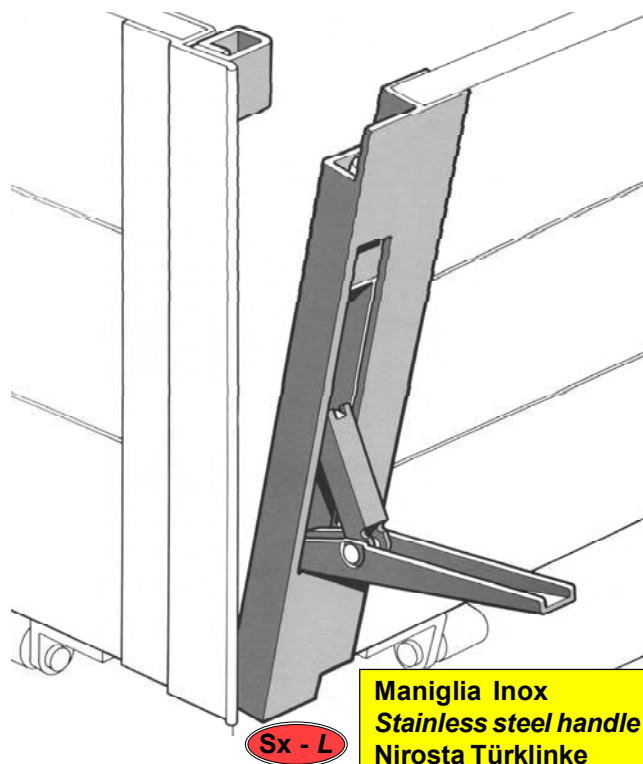
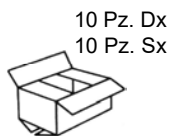
Art. 35150100

0,050 kg



Piantone in alluminio senza Battuta
Aluminium pillar without ledge
Verschlüsse für All. Bordwände ohne Anschlag

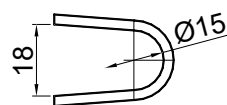
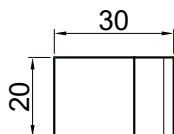
Articolo Article	Altezza Height
35155400	400
35155500	500
35155600	600
35155800	800
35155800-1	800 Maniglia Alta Hight handle



Scontrino grezzo da saldare solo per piantoni di L=300
Raw strike to weld only for pillar L=300

Art. 35150250

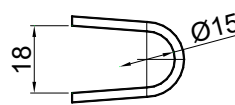
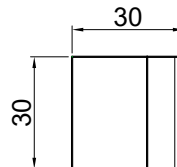
0,025 kg



Scontrino grezzo da saldare
Raw strike to weld

Art. 35150200

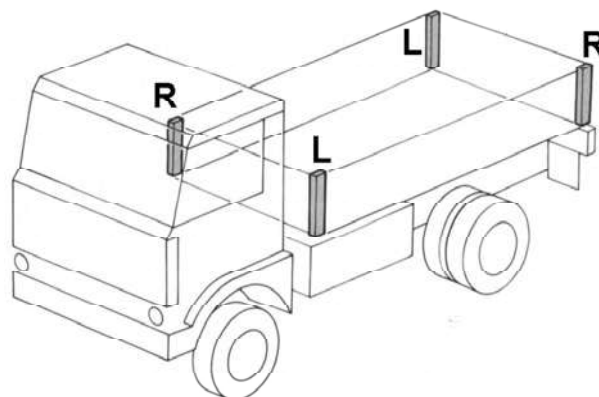
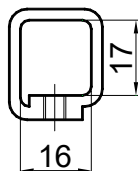
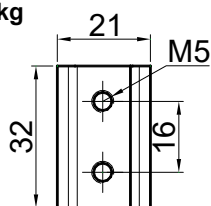
0,030 kg



Scontrino zincato da avvitare
Zinc plated strike to be screwed

Art. 35150100

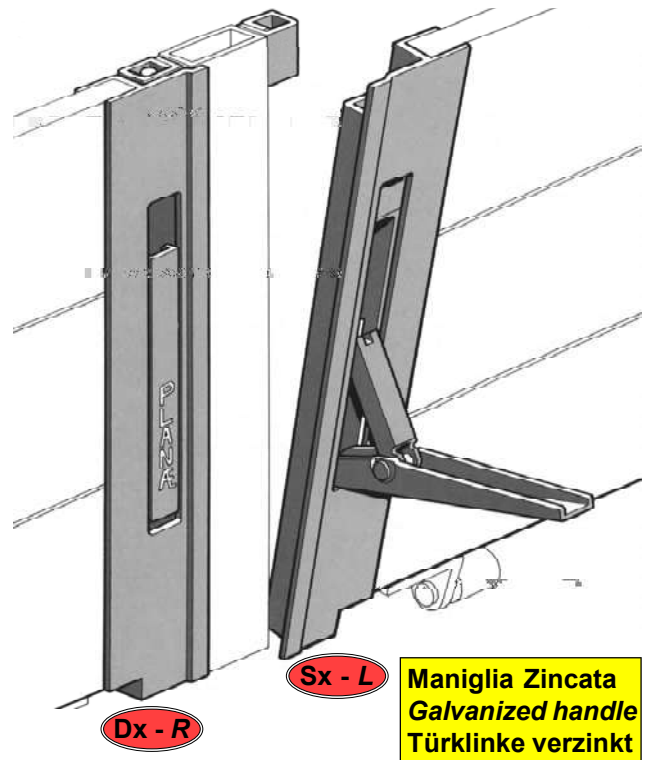
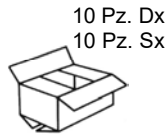
0,050 kg





Piantone in alluminio con Battuta
 Aluminium pillar with ledge
 Verschlüsse für All. Bordwände mit Anschlag

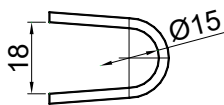
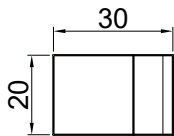
Articolo Article	Altezza Height
35170400	400
35170500	500
35170600	600
35170800	800
35170800/1	800 Maniglia Alta High handle



Scontrino grezzo da saldare solo per piantoni di L=300
 Raw strike to weld only for pillar L=300

Art. 35150250

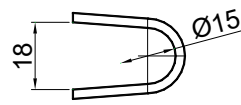
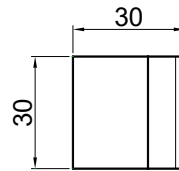
0,025 kg



Scontrino grezzo da saldare
 Raw strike to weld

Art. 35150200

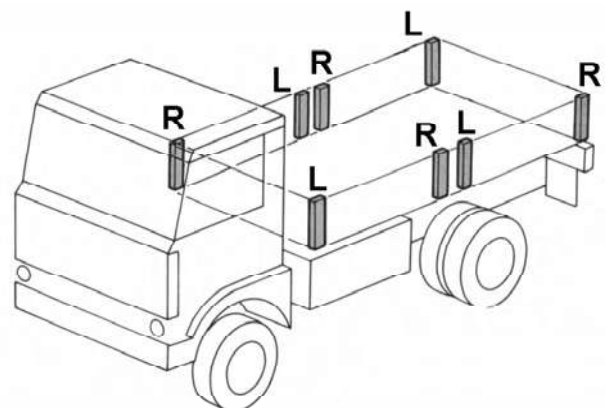
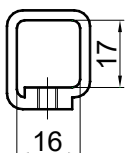
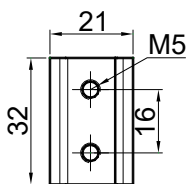
0,030 kg



Scontrino zincato da avvitare
 Zinc plated strike to be screwed

Art. 35150100

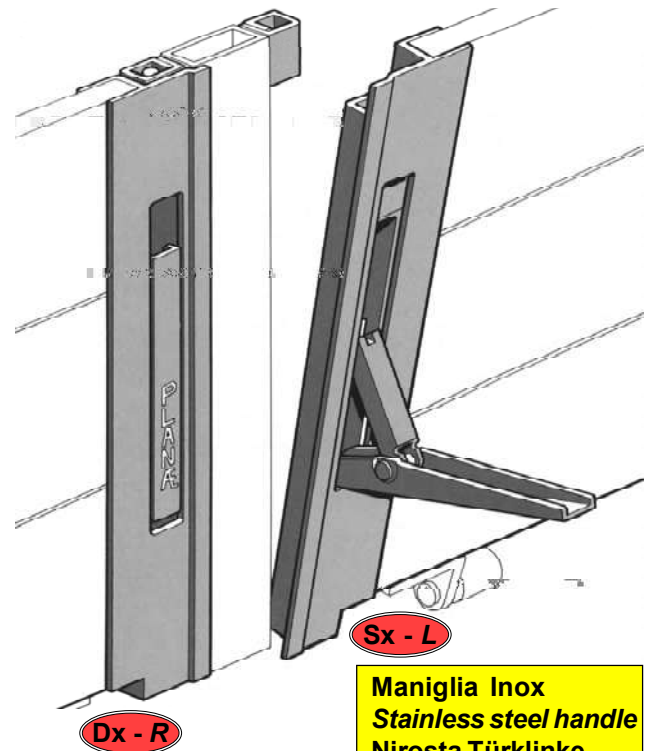
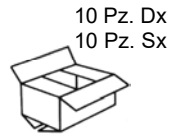
0,050 kg





Piantone in alluminio con Battuta
Aluminium pillar with ledge
Verschlüsse für All. Bordwände mit Anschlag

Articolo Article	Altezza Height
35165400	400

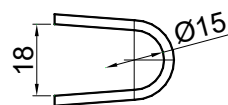
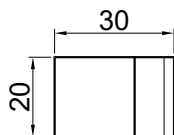


Maniglia Inox
Stainless steel handle
Nirosta Türklinke

Scontrino grezzo da saldare solo per piantoni di L=300
Raw strike to weld only for pillar L=300

Art. 35150250

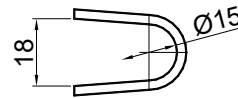
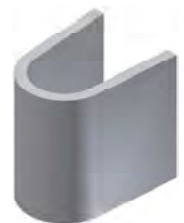
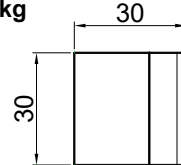
0,025 kg



Scontrino grezzo da saldare
Raw strike to weld

Art. 35150200

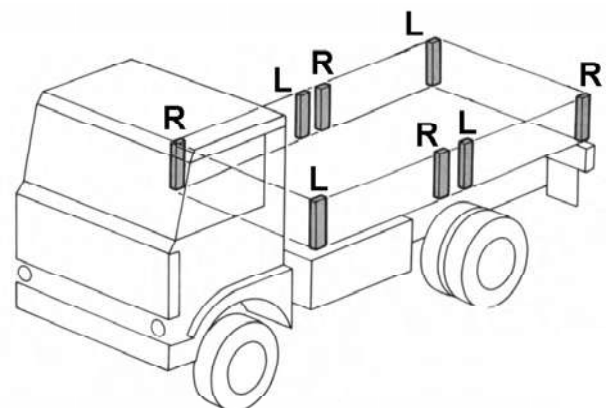
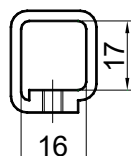
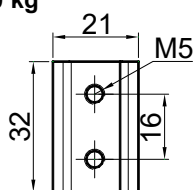
0,030 kg



Scontrino zincato da avvitare
Zinc plated strike to be screwed

Art. 35150100

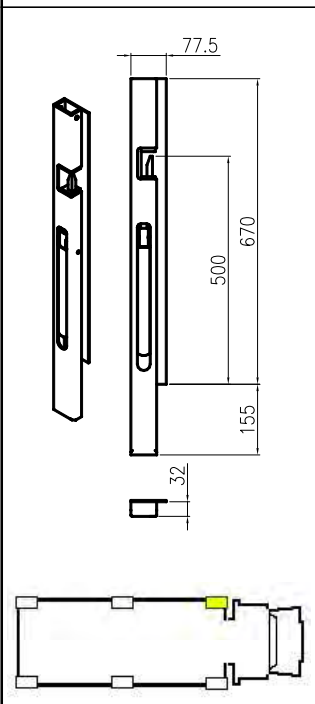
0,050 kg



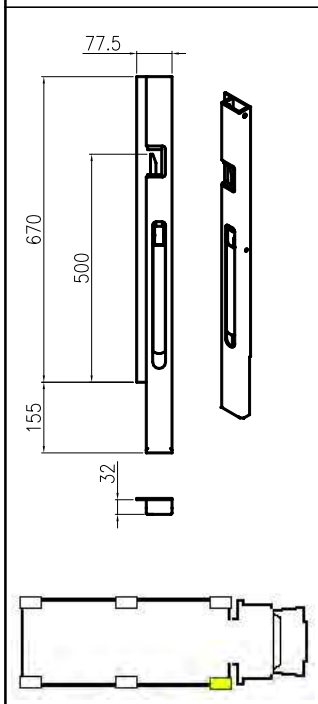


K4 - 000

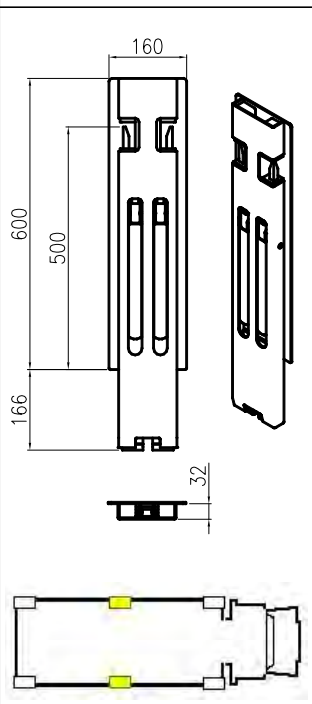
Piantone frontale singolo Sx
Single front pillar Left
Art. 35406301 - 5,8 kg



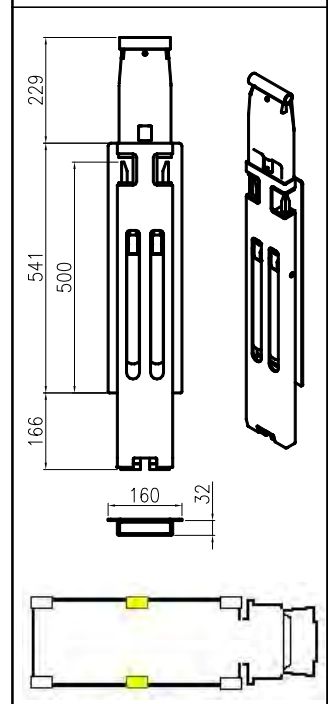
Piantone frontale singolo Dx
Single front pillar Right
Art. 35406401 - 5,8 kg



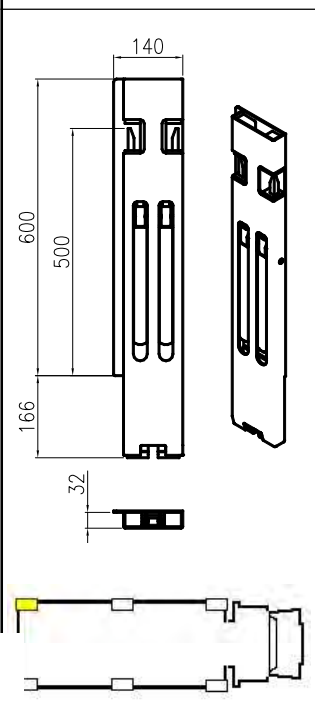
Piantone Centrale
Central pillar
Art. 35406201 - 12,0 kg



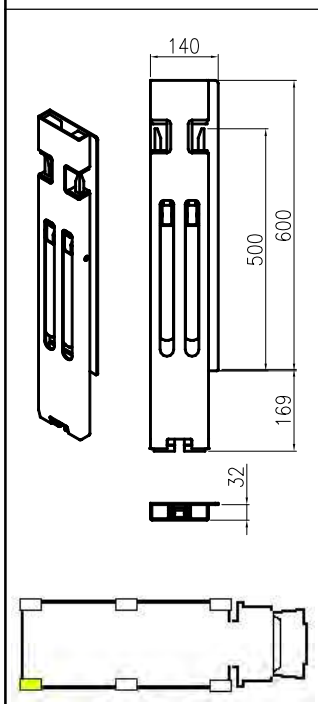
Piantone Kinnnetop
Kinnnetop pillar
Art. 35406231 - 13,4 kg



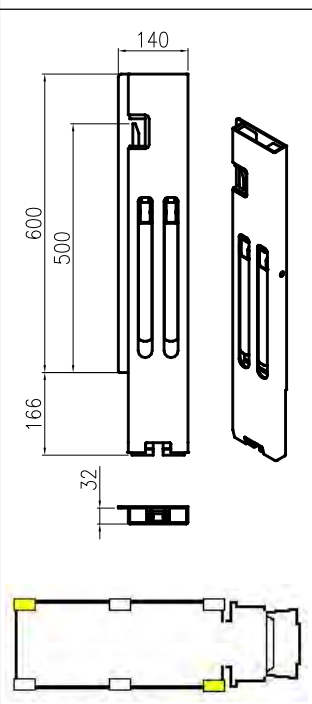
Piantone posteriore PPD Sx
PPD rear pillar Left
Art. 35406901 - 11,6 kg



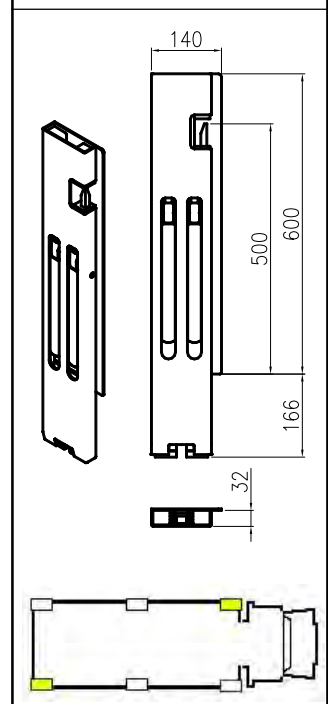
Piantone posteriore PPD Dx
PPD rear pillar Right
Art. 35406801 - 11,6 kg



Piantone posteriore PPS Sx
PPS rear pillar Left
Art. 35406001 - 11,8 kg



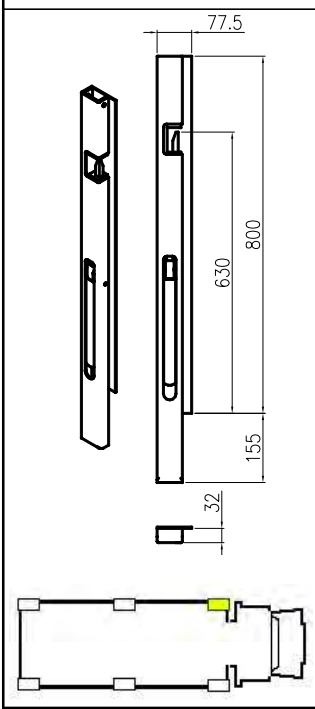
Piantone posteriore PPS Dx
PPS rear pillar Right
Art. 35406101 - 11,8 kg



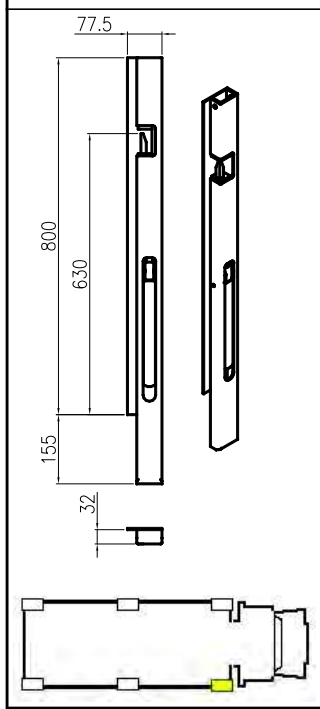


K4 - 800

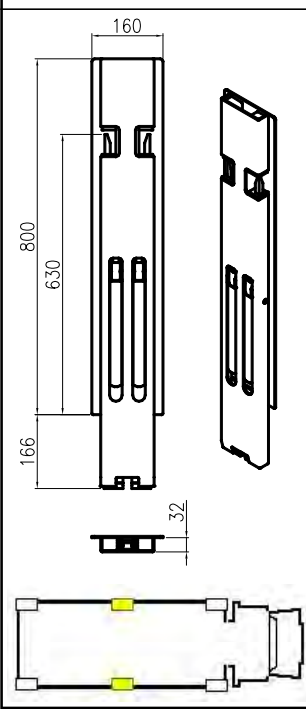
Piantone frontale singolo Sx
Single front pillar Left
Art. 35408301 - 6,5 kg



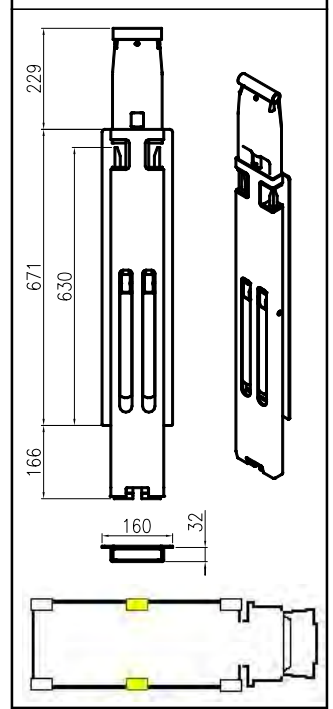
Piantone frontale singolo Dx
Single front pillar Right
Art. 35408401 - 6,5 kg



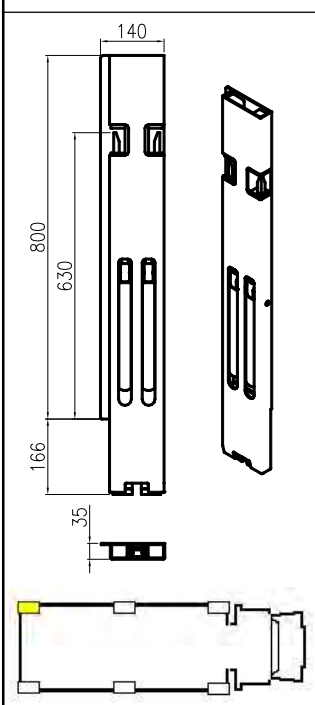
Piantone Centrale
Central pillar
Art. 35408201 - 13,8 kg



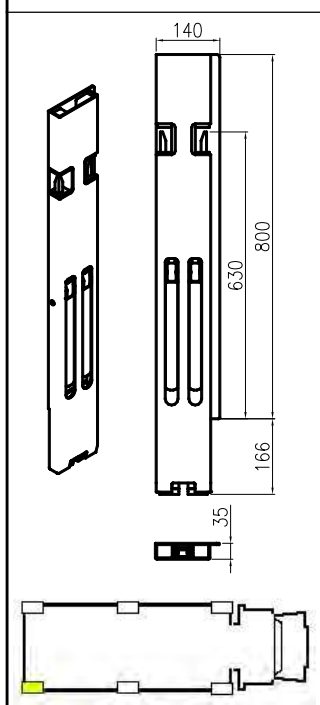
Piantone Kinnetop
Kinnetop pillar
Art. 35408231 - 15,0 kg



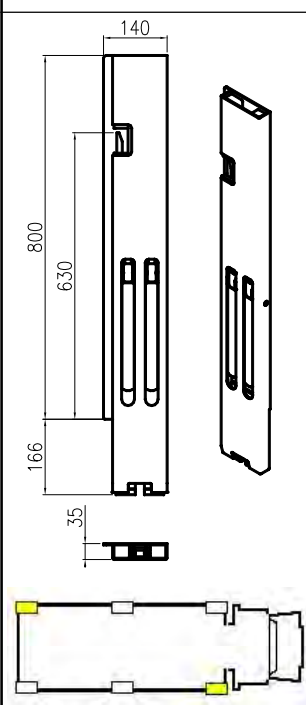
Piantone posteriore PPD Sx
PPD rear pillar Left
Art. 35408901 - 13,2 kg



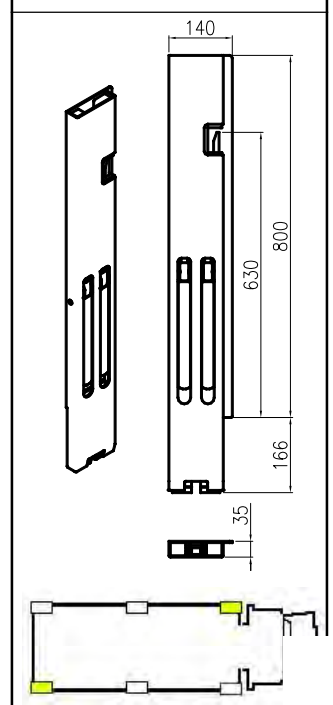
Piantone posteriore PPD Dx
PPD rear pillar Right
Art. 35408801 - 13,2 kg



Piantone posteriore PPS Sx
PPS rear pillar Left
Art. 35408001 - 13,4 kg



Piantone posteriore PPS Dx
PPS rear pillar Right
Art. 35408101 - 13,4 kg





Piastrina zincata interasse 30
Zinc plated palque distance between centers 30

Art. 15270110

0,040 kg

Taschetta zincata
Zinc plated dropside catch

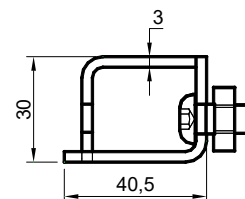
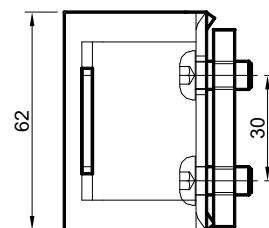
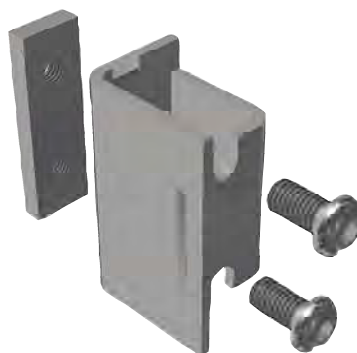
Art. 35030023

0,150 kg

Vite a brugola M8x16
Zinc plated screw M8x16

Art. 15344110

0,015 kg



Piastrina zincata interasse 20
Galvanized palque distance between centers 20

Art. 15268110

0,030 kg

Taschetta zincata
Zinc plated dropside catch

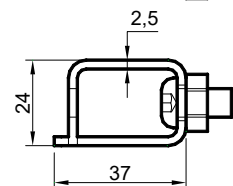
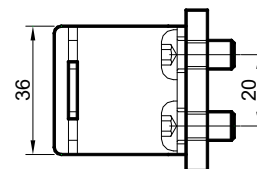
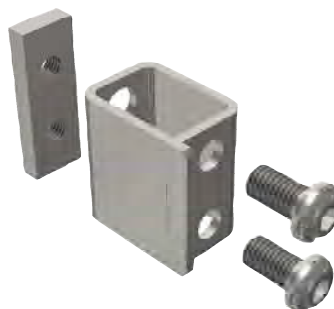
Art. 35030050

0,130 kg

Vite a brugola M8x16
Zinc plated screw M8x16

Art. 15344110

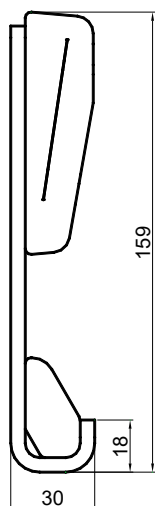
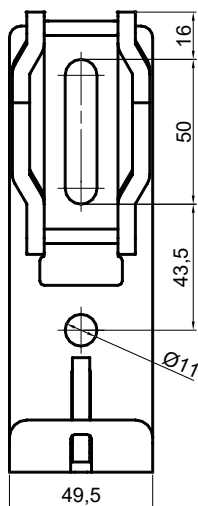
0,015 kg



Supporto attacco montante K4
Support for K4 pillar

Art. 35434141

0,490 kg

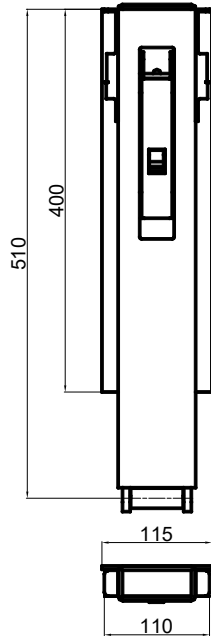




Montante centrale per piantoni TL35
Central pillar for TL35 aluminum pillar

Art. 35100500

5,800 kg

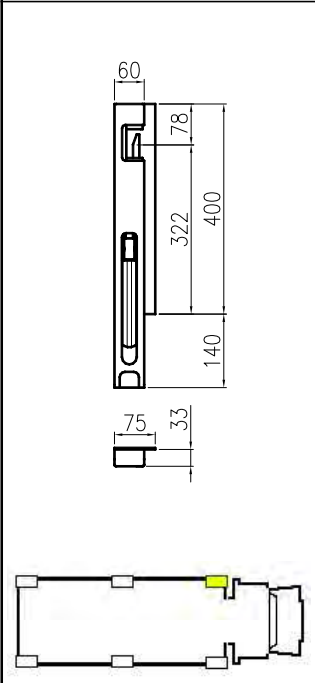


Utilizzo
Utilization

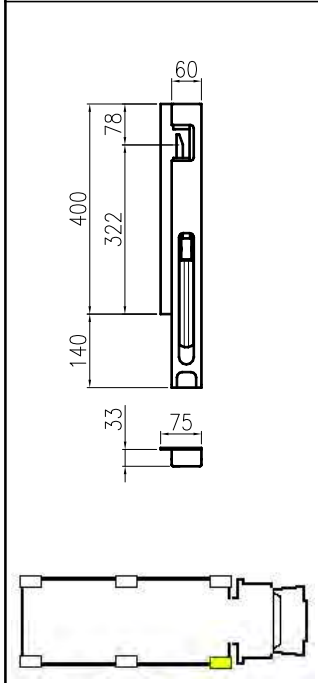


Pillar - 400

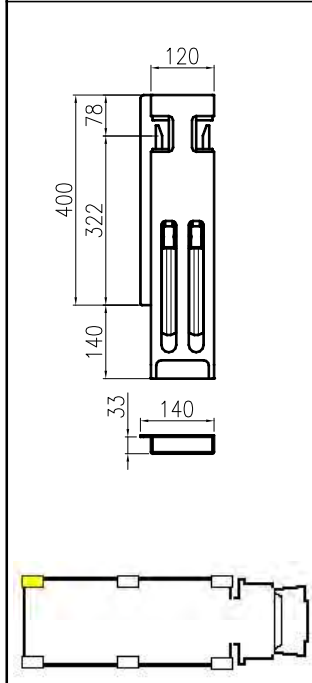
Piantone frontale singolo Sx
Single front pillar Left
Art. 35021142
5,200 kg



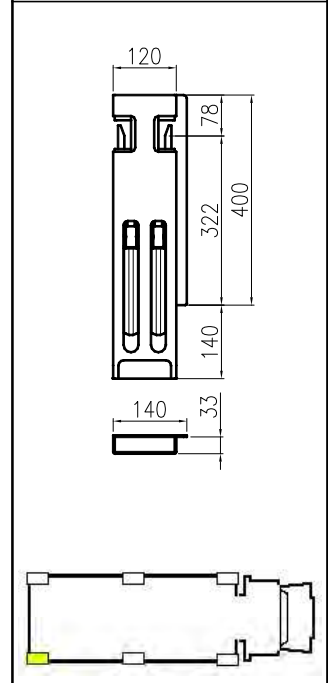
Piantone frontale singolo Dx
Single front pillar Right
Art. 35021141
5,200 kg



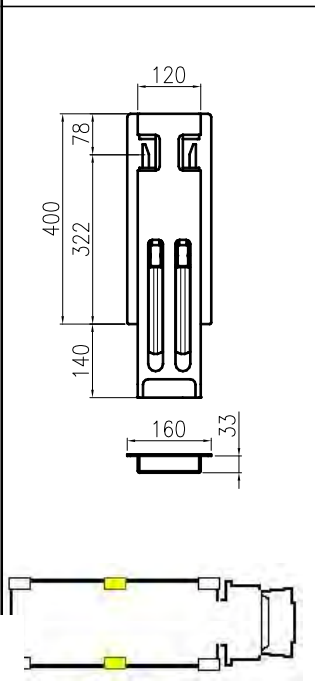
Piantone posteriore Sx
Rear pillar Left
Art. 35061142
9,150 kg



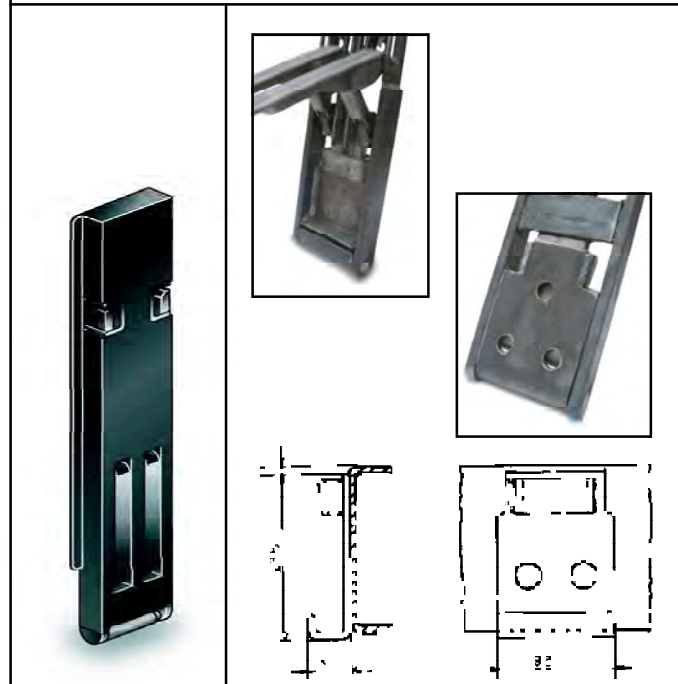
Piantone posteriore Dx
Rear pillar Right
Art. 35061141
9,150 kg



Piantone Centrale
Central pillar
Art. 35061140
9,200 kg



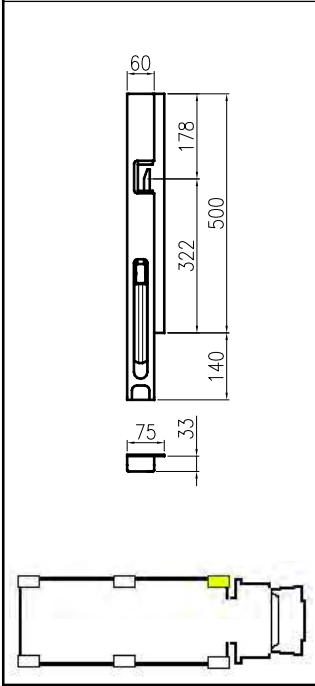
Montanti rovesciabili con battuta di 33 mm per sponde in alluminio
Overturing steel pillars of 33 mm for aluminium sideboards
Stahl runge in klappbarer Ausführung mit Abschluss 33 mm
für All. Bordwände



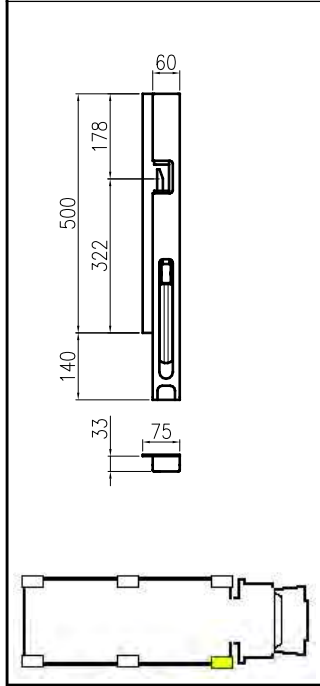


Pillar - 500

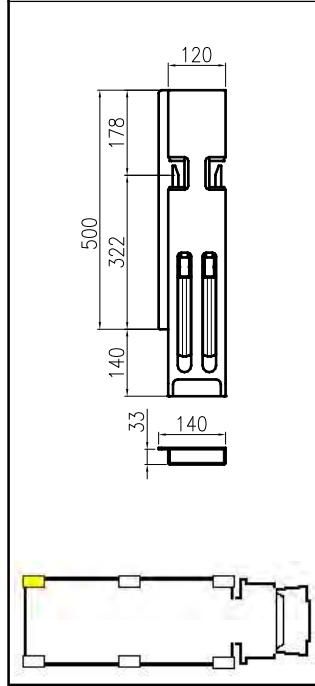
Piantone frontale singolo Sx
Single front pillar Left
Art. 35021352
5,600 kg



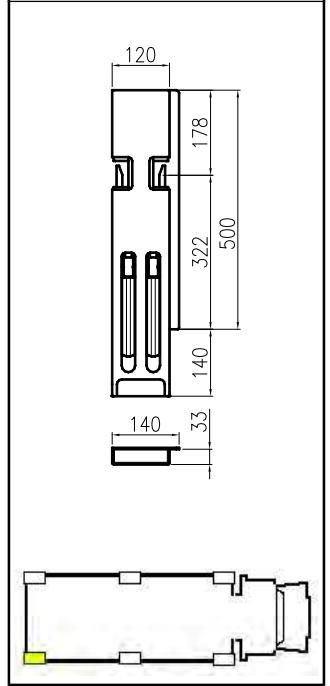
Piantone frontale singolo Dx
Single front pillar Right
Art. 35021351
5,600 kg



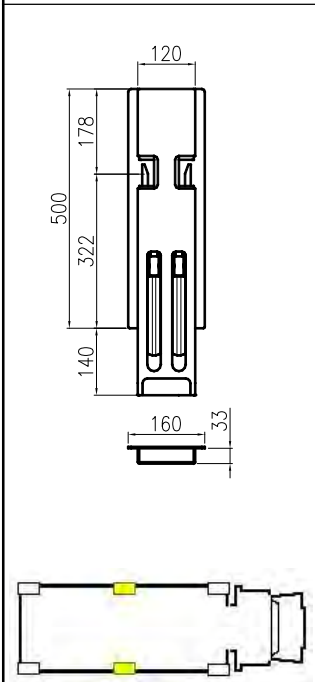
Piantone posteriore Sx
Rear pillar Left
Art. 35061352
9,750 kg



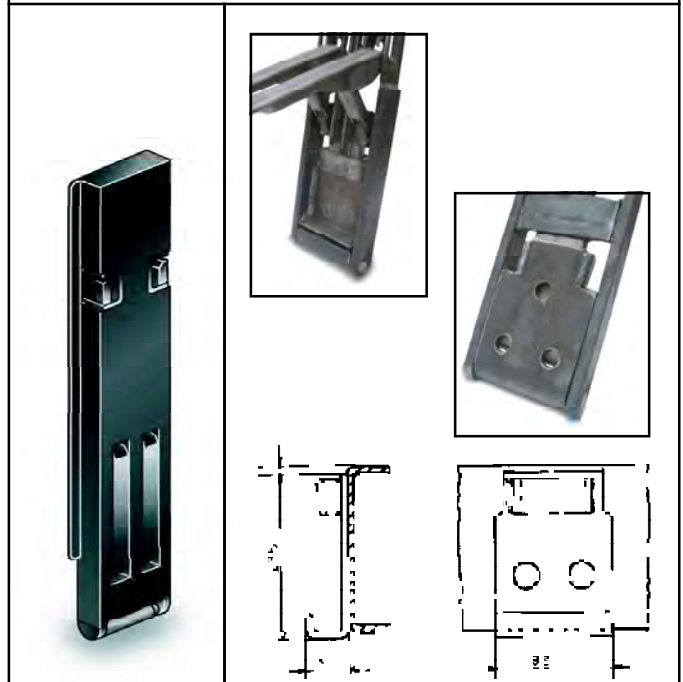
Piantone posteriore Dx
Rear pillar Right
Art. 35061351
9,750 kg



Piantone Centrale
Central pillar
Art. 35061350
9,800 kg



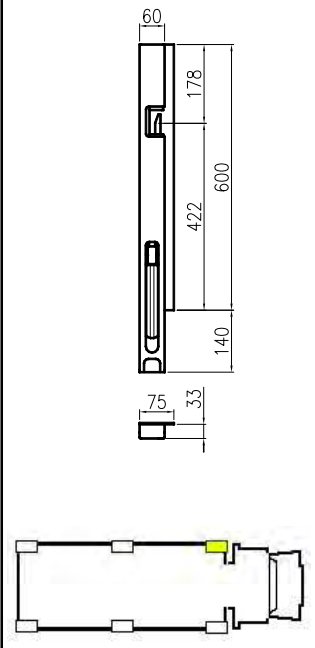
Montanti rovesciabili con battuta di 33 mm per sponde in alluminio
Overturing steel pillars of 33 mm for aluminium sideboards
Stahl runge in klappbarer Ausführung mit Abschluss 33 mm
für All. Bordwände



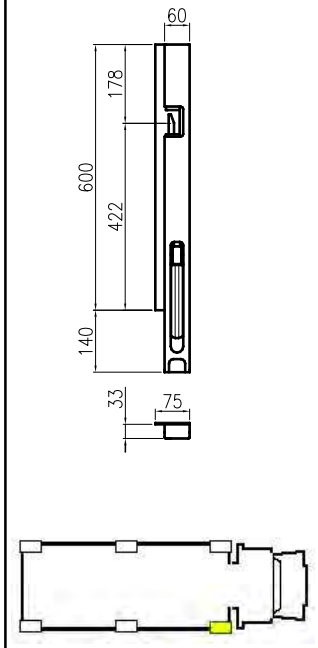


Pillar - 600

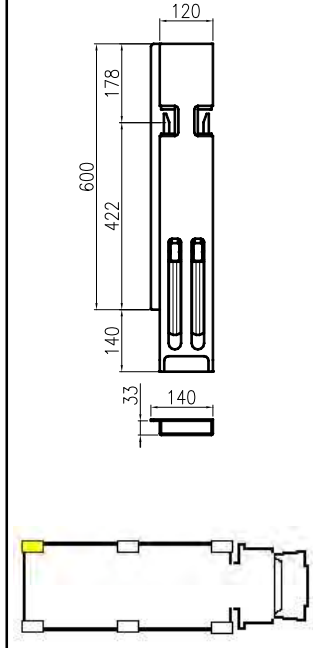
Piantone frontale singolo Sx
Single front pillar Left
Art. 35021562
6,000 kg



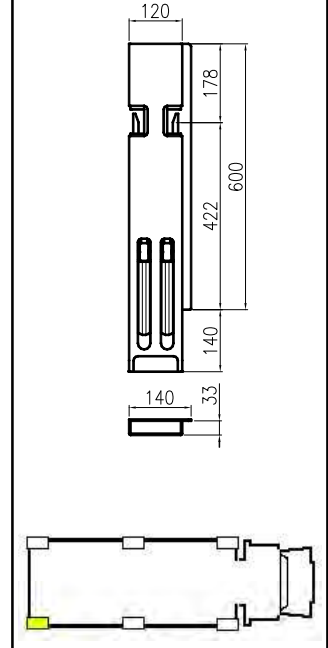
Piantone frontale singolo Dx
Single front pillar Right
Art. 35021561
6,000 kg



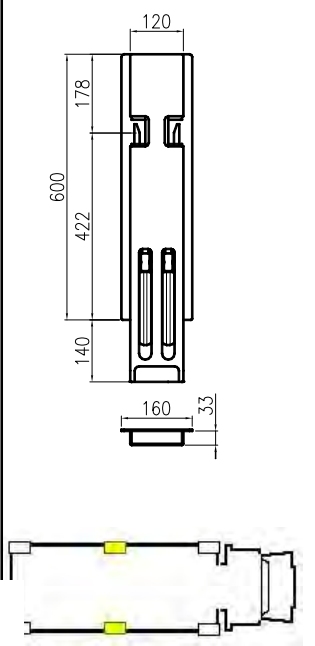
Piantone posteriore Sx
Rear pillar Left
Art. 35061562
10,350 kg



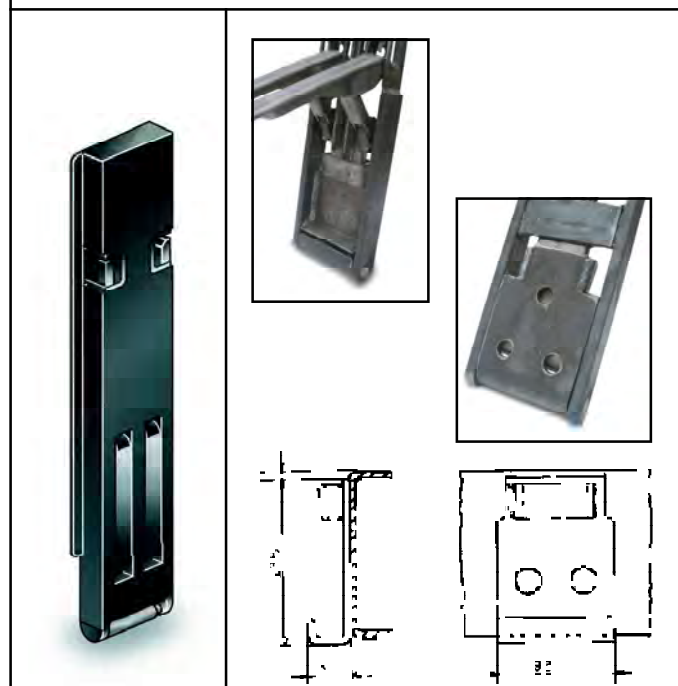
Piantone posteriore Dx
Rear pillar Right
Art. 35061561
10,350 kg



Piantone Centrale
Central pillar
Art. 35061560
10,500 kg



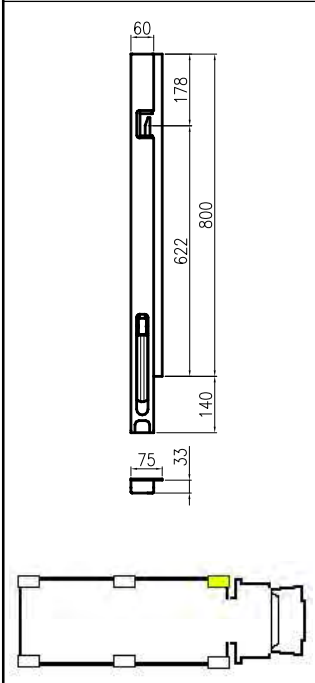
Montanti rovesciabili con battuta di 33 mm per sponde in alluminio
Overturing steel pillars of 33 mm for aluminium sideboards
Stahl runge in klappbarer Ausführung mit Abschluss 33 mm
für All. Bordwände



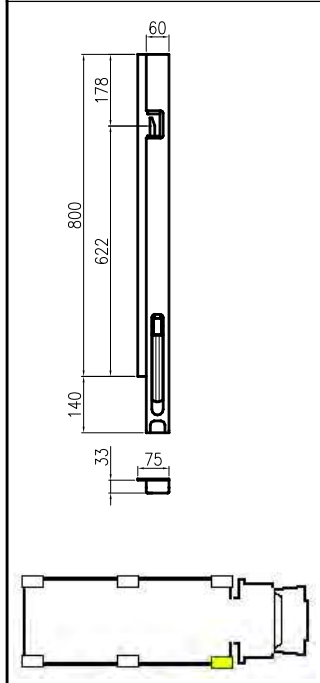


Pillar - 800

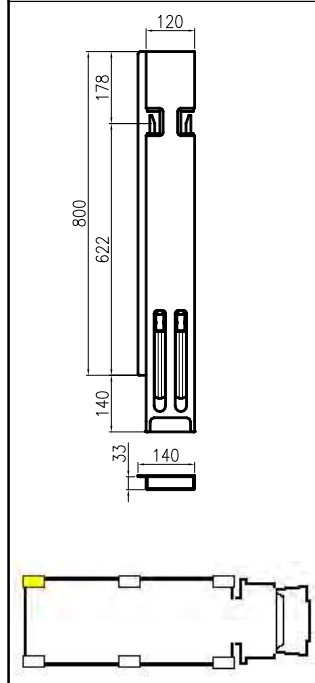
Piantone frontale singolo Sx
Single front pillar Left
Art. 35022382
6,800 kg



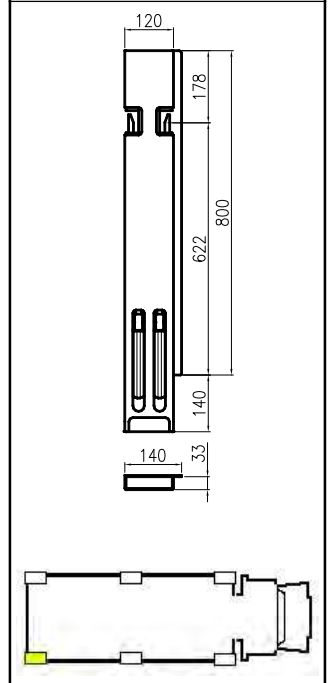
Piantone frontale singolo Dx
Single front pillar Right
Art. 35022381
6,800 kg



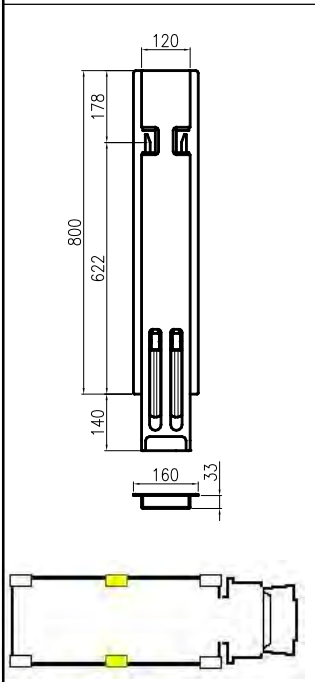
Piantone posteriore Sx
Rear pillar Left
Art. 35062382
11,500 kg



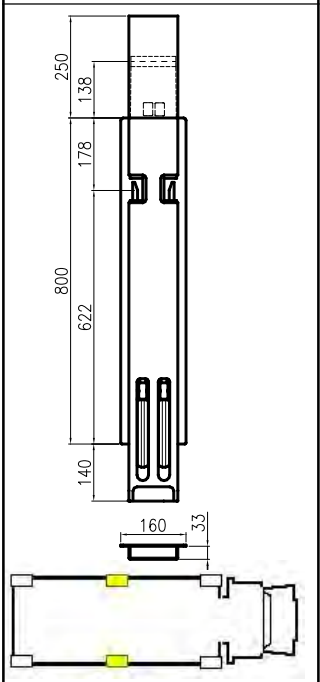
Piantone posteriore Dx
Rear pillar Right
Art. 35062381
11,500 kg



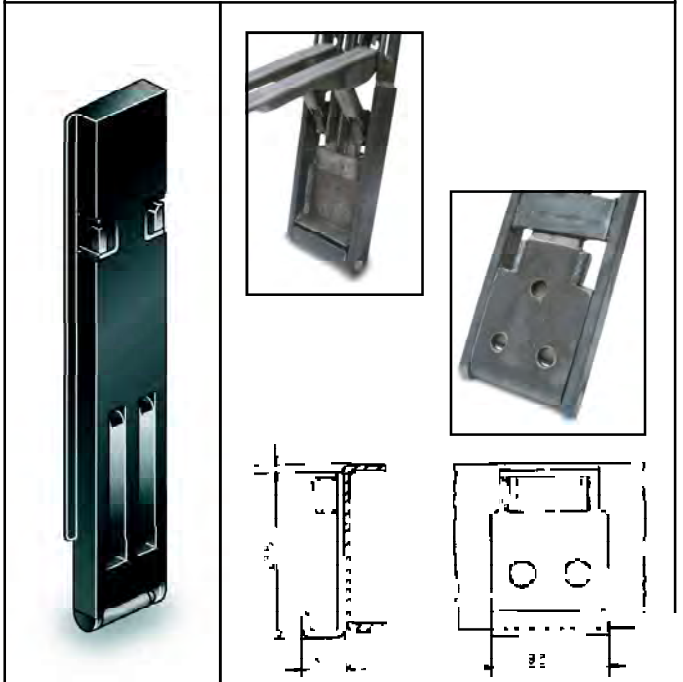
Piantone Centrale
Central pillar
Art. 35062380
11,900 kg



Piantone Centrale Top
Hight Top Central pillar
Art. 35014623
15,460 kg



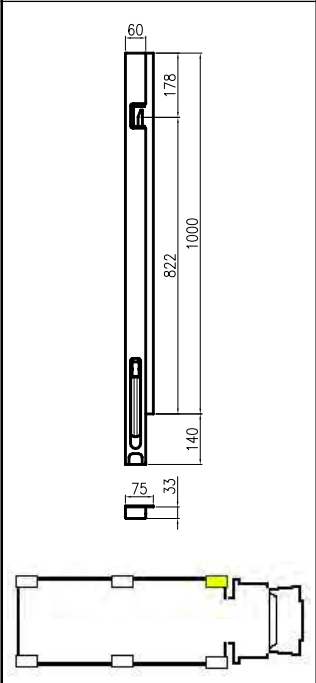
Montanti rovesciabili con battuta di 33 mm per sponde in alluminio
Overturing steel pillars of 33 mm for aluminium sideboards
Stahl runge in klappbarer Ausführung mit Abschluss 33 mm
für All. Bordwände



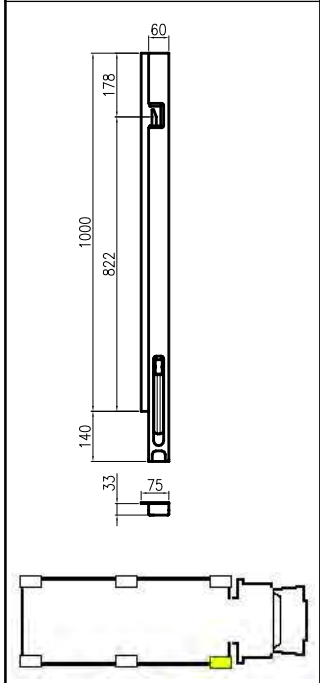


Pillar - 1000

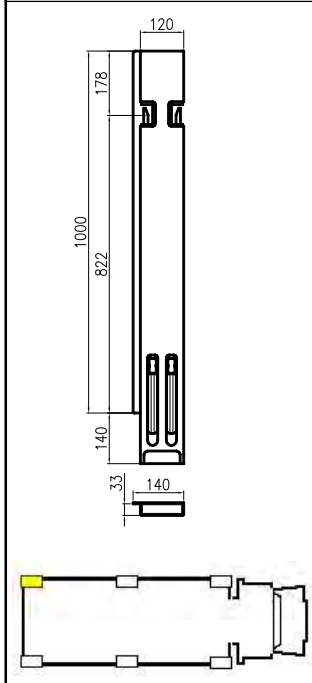
Piantone frontale singolo Sx
Single front pillar Left
Art. 35123102



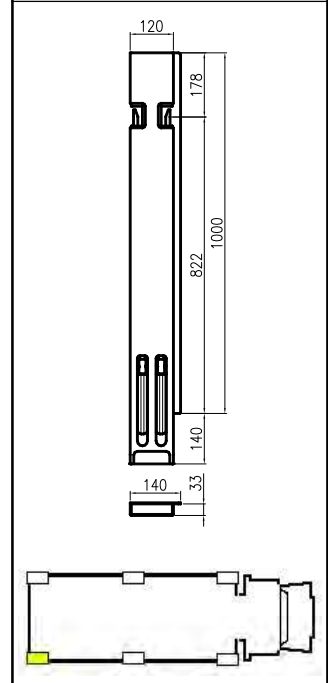
Piantone frontale singolo Dx
Single front pillar Right
Art. 35123101



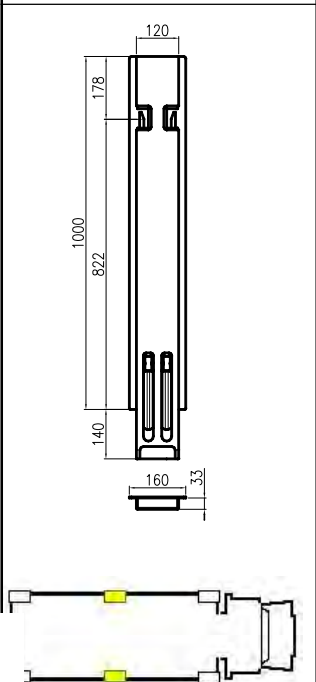
Piantone posteriore Sx
Rear pillar Left
Art. 35163102



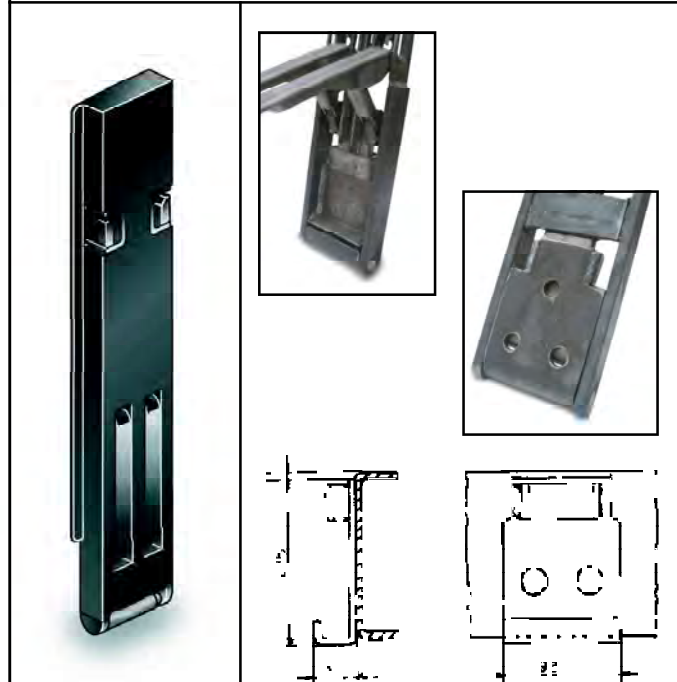
Piantone posteriore Dx
Rear pillar Right
Art. 35163101



Piantone Centrale
Central pillar
Art. 35163100



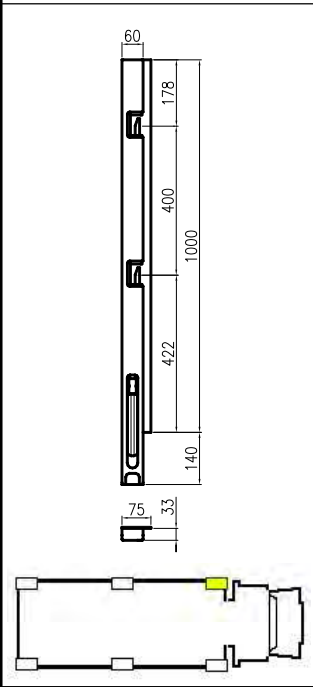
Montanti rovesciabili con battuta di 33 mm per sponde in alluminio
Overturing steel pillars of 33 mm for aluminium sideboards
Stahl runge in klappbarer Ausführung mit Abschluss 33 mm
für All. Bordwände



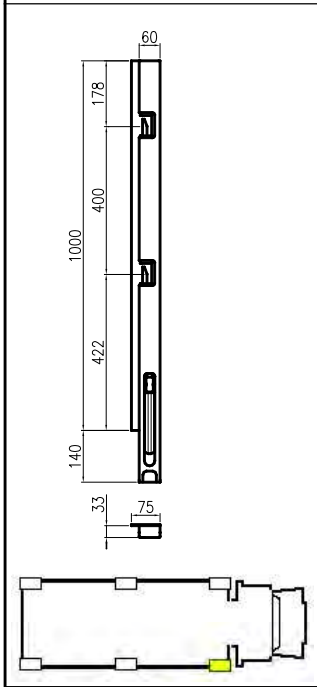


Pillar 1000 double catch

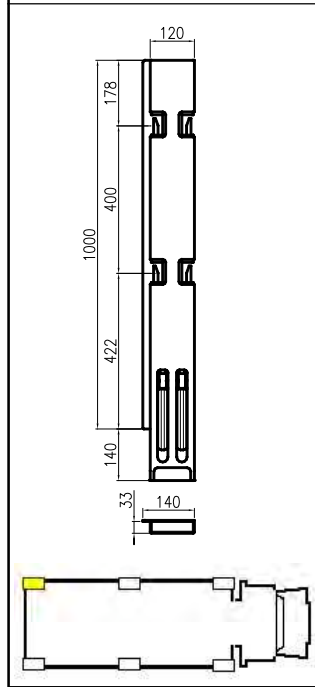
Piantone frontale singolo Sx
Single front pillar Left
Art. 35023102
8,000 kg



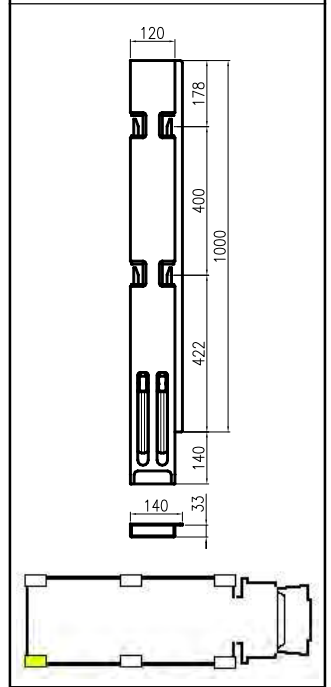
Piantone frontale singolo Dx
Single front pillar Right
Art. 35023101
8,000 kg



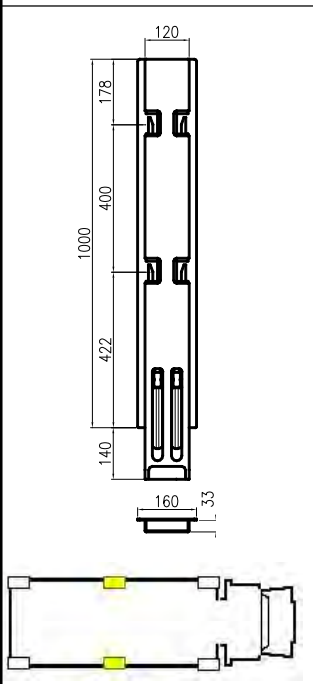
Piantone posteriore Sx
Rear pillar Left
Art. 35063102
14,100 kg



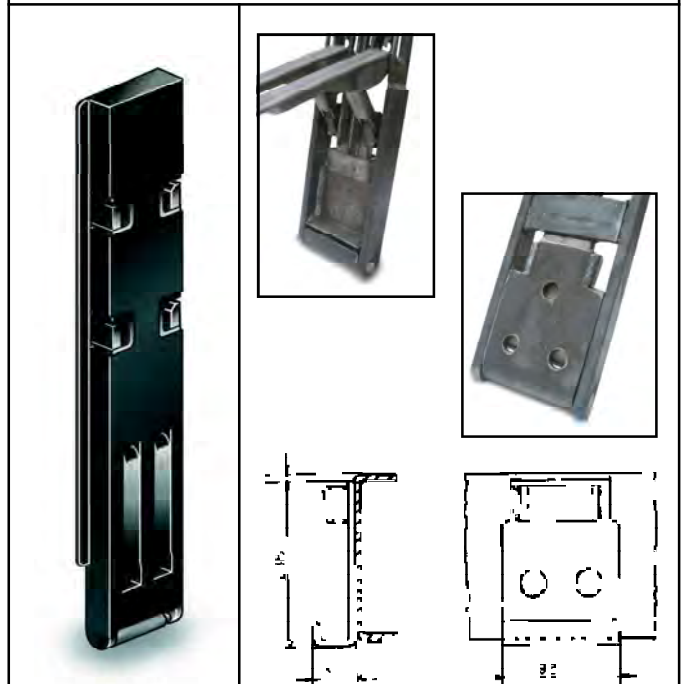
Piantone posteriore Dx
Rear pillar Right
Art. 35063101
14,100 kg



Piantone Centrale
Central pillar
Art. 35063100
14,500 kg



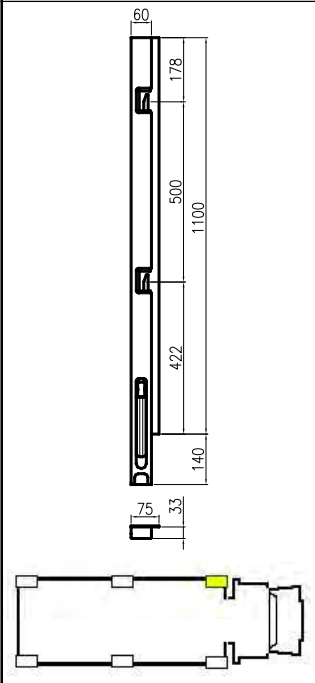
Montanti rovesciabili con battuta di 33 mm per sponde in alluminio
Overturing steel pillars of 33 mm for aluminium sideboards
Stahl runge in klappbarer Ausführung mit Abschluss 33 mm für All. Bordwände



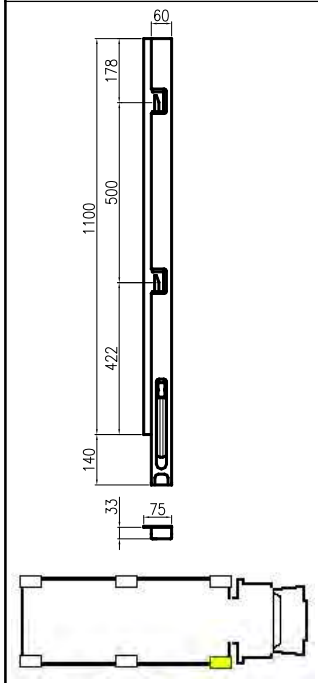


Pillar 1100 double catch

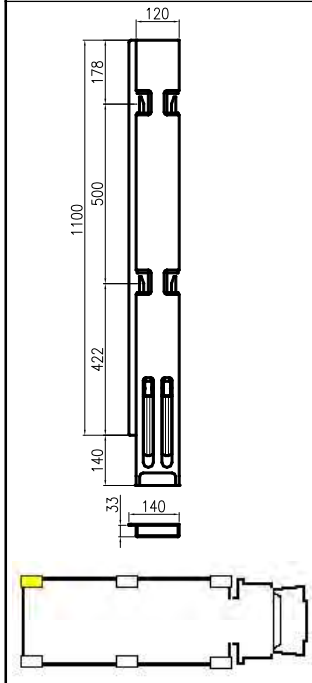
Piantone frontale singolo Sx
Single front pillar Left
Art. 35023112
8,400 kg



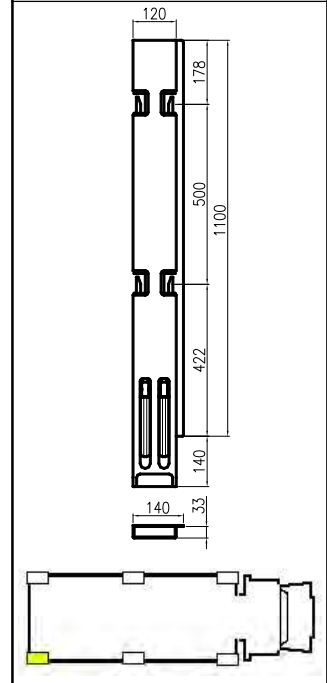
Piantone frontale singolo Dx
Single front pillar Right
Art. 35023111
8,400 kg



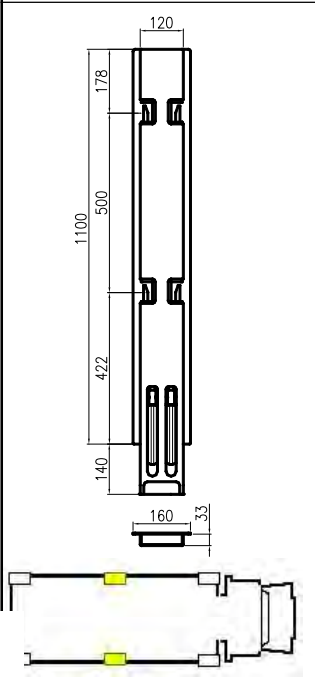
Piantone posteriore Sx
Rear pillar Left
Art. 35063112
14,600 kg



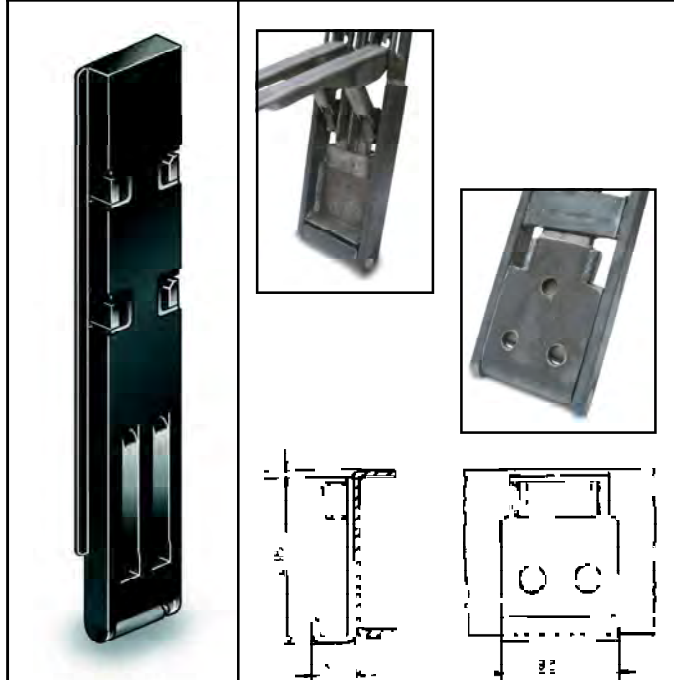
Piantone posteriore Dx
Rear pillar Right
Art. 35063111
14,600 kg



Piantone Centrale
Central pillar
Art. 35063110
15,200 kg



Montanti rovescibili con battuta di 33 mm per sponde in alluminio
Overturing steel pillars of 33 mm for aluminium sideboards
Stahl runge in klappbarer Ausführung mit Abschluss 33 mm
für All. Bordwände



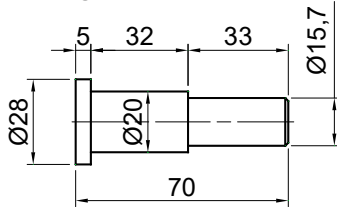


Perno zincato per testata

Zinc plated pin for head

Art. 35250722

0,150 kg

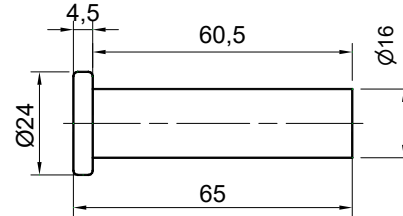


Perno grezzo per testata

Raw pin for head

Art. 35250724

0,140 kg

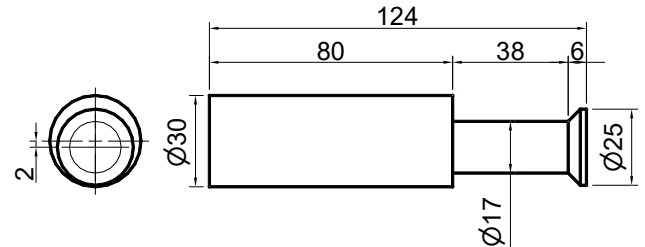
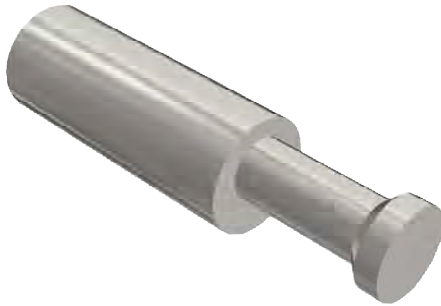


Perno eccentrico per testata

Zinc plated eccentric pin for head

Art. 35250726

0,530 kg

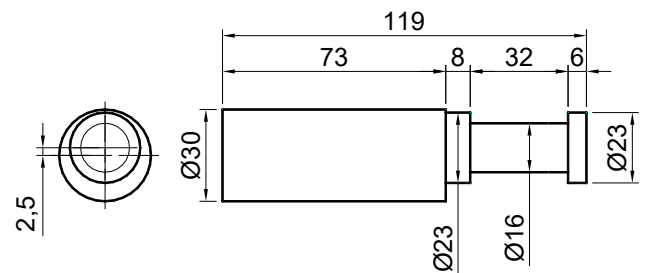


Perno eccentrico per testata ($\text{Ø}23$ L=8 mm) zincato

Zinc plated eccentric pin for head ($\text{Ø}23$ L=8 mm)

Art. 35250723

0,550 kg

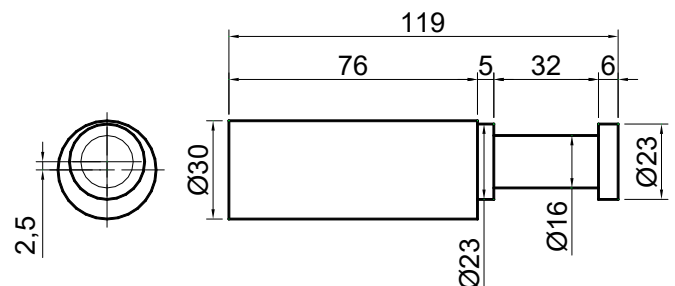


Perno eccentrico per testata ($\text{Ø}23$ L=5 mm) zincato

Zinc plated eccentric pin for head ($\text{Ø}23$ L=5 mm)

Art. 35250725

0,530 kg



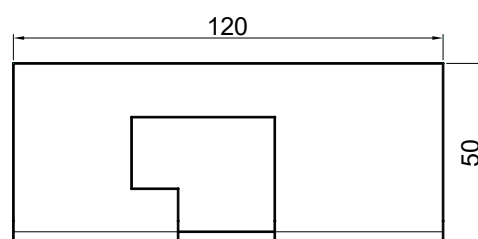
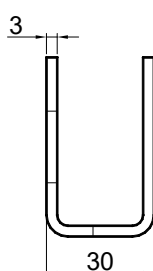
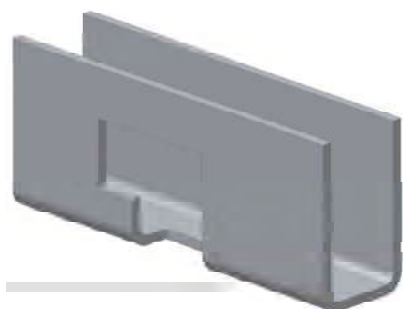


Supporto grezzo per l'articolazione superiore
Support for upper joint, raw

Art. 35442400 L=120 mm

0,280 kg

84 Pcs.

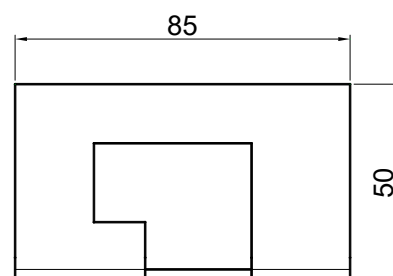
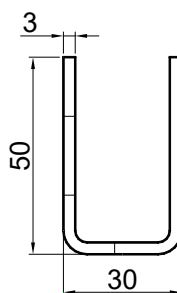
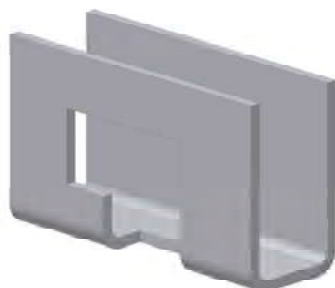


Supporto grezzo per l'articolazione superiore
Support for upper joint, raw

Art. 35442402 L=85 mm

0,170 kg

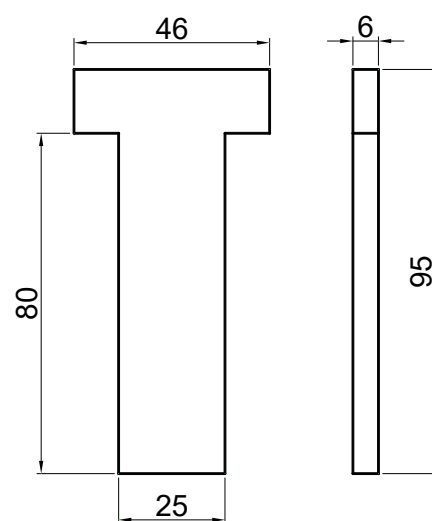
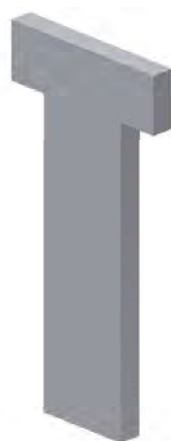
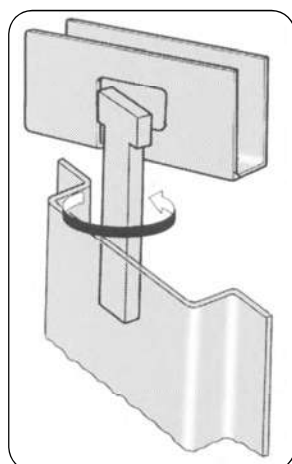
100 Pcs.



Gancio grezzo per articolazione superiore
Catch for upper joint, raw

Art. 35442401

0,130 kg



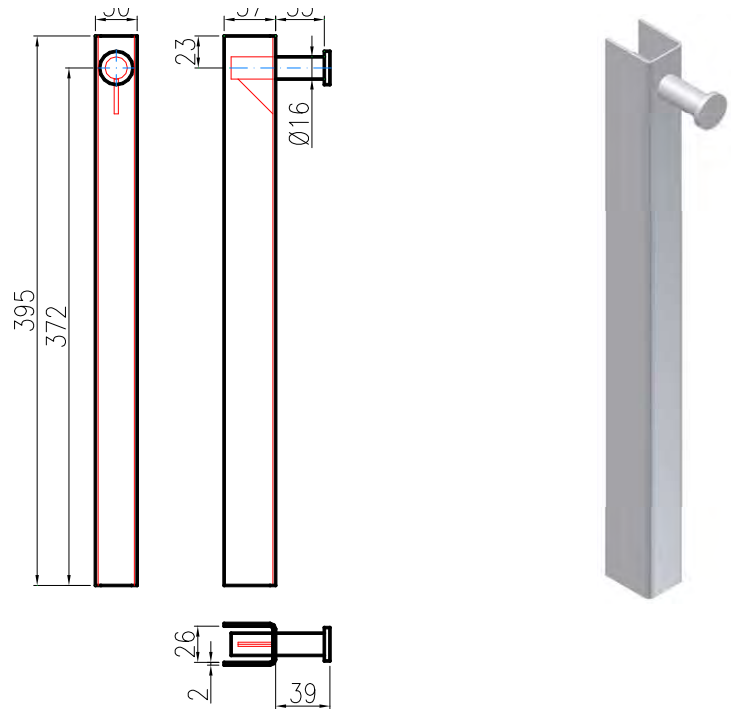


Testata zincata per sponda laterale in alluminio
Zinc plated head for aluminium side board

Art. 35144300

Art. 35144301

0,777 kg



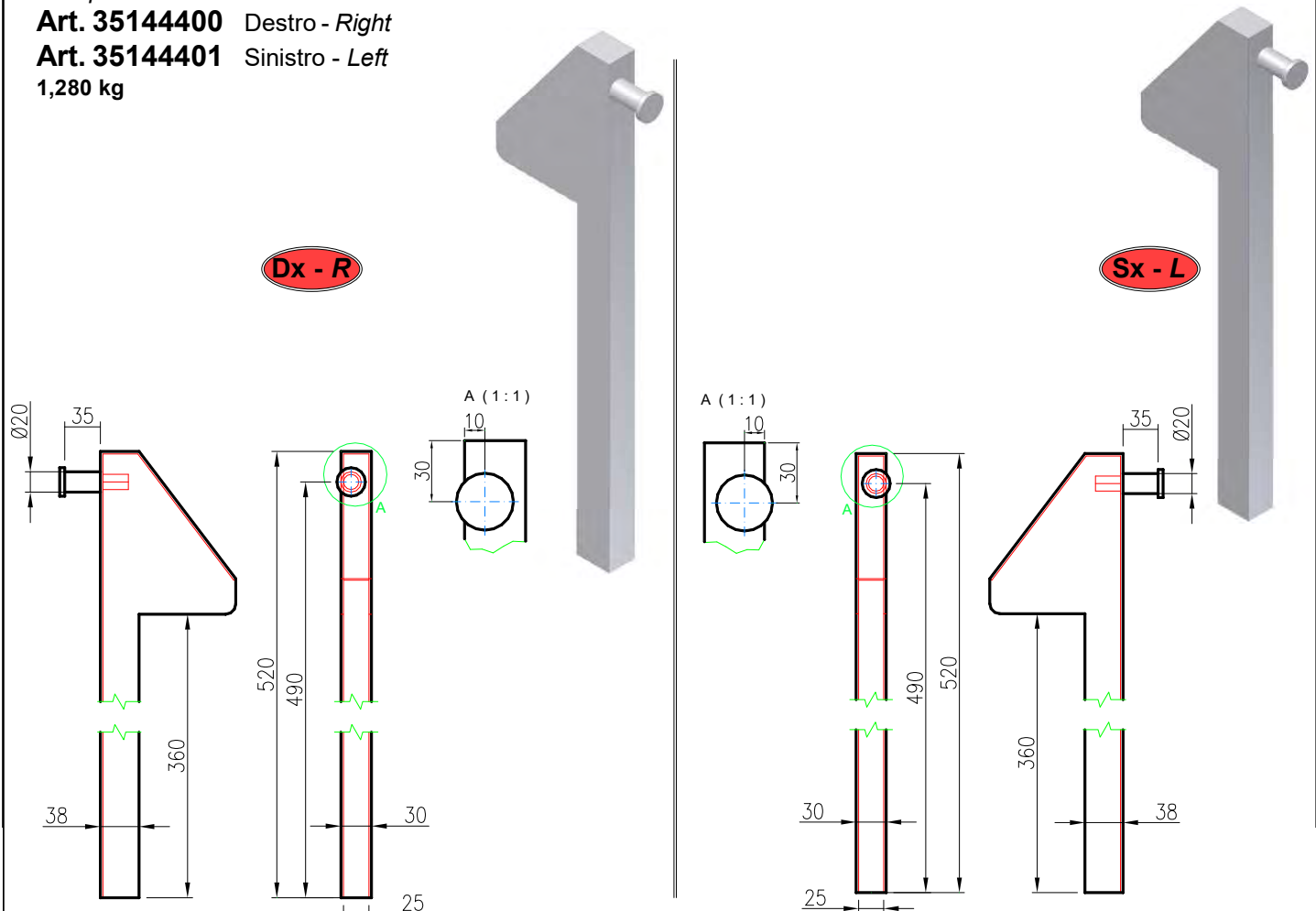
Testata zincata doppia apertura
Zinc plated head back side board

Zinc plated head back side board

Art. 35144400 Destro - Right

Art. 35144401 Sinistro - Left

1,280 kg





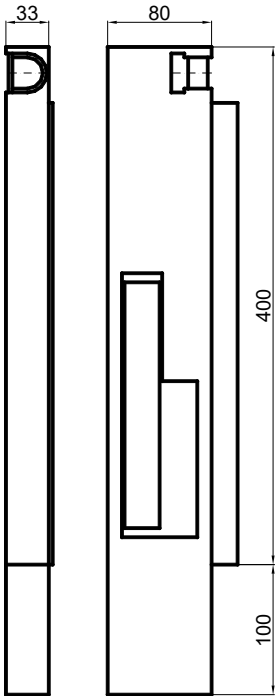
Piantone frontale singolo Sx

Single front pillar Left

Art. 35014251

3,500 kg

Sx - L



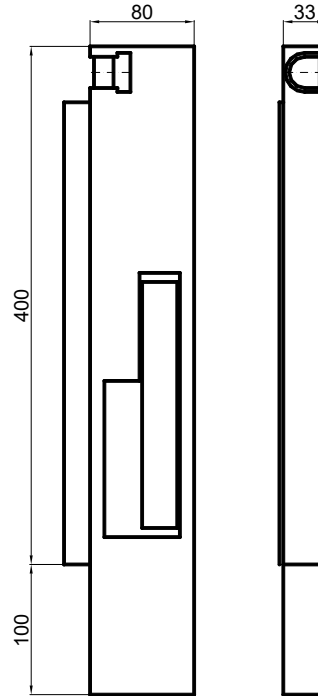
Piantone frontale singolo Dx

Single front pillar Right

Art. 35014252

3,500 kg

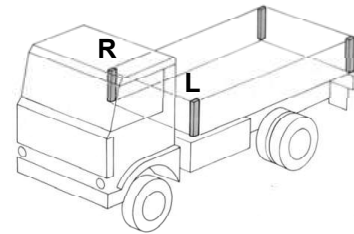
Dx - R



Type "Wide"



Verniciatura Cataforesi
E - black painted

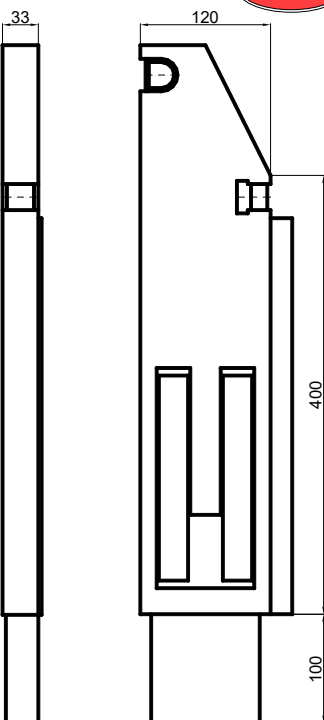


Piantone posteriore doppio Dx

Double posterior pillar Right

Art. 35014051 - 6,900 kg

Dx - R

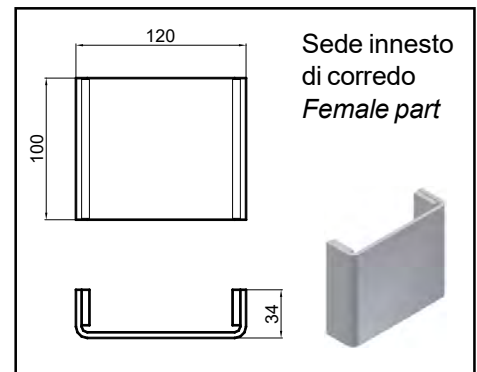
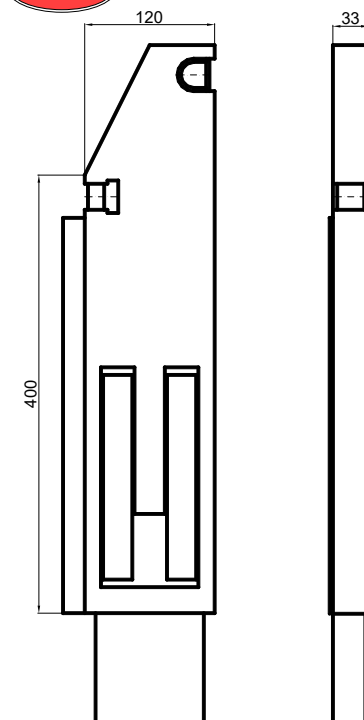


Piantone posteriore doppio Sx

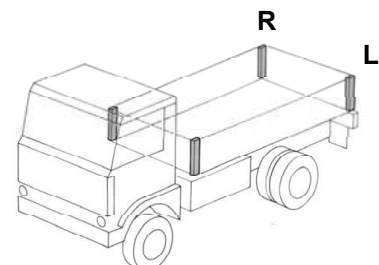
Double posterior pillar Left

Art. 35014052 - 6,900 kg

Sx - L



Sede innesto
di corredo
Female part





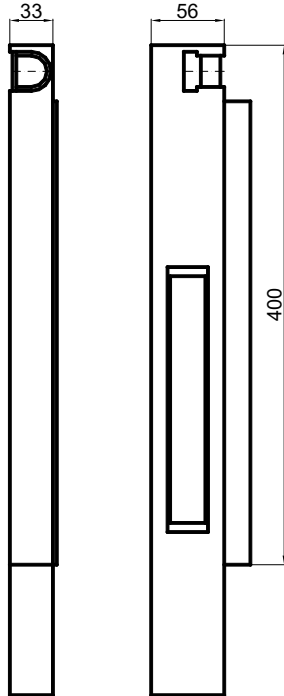
Piantone frontale singolo Sx

Single front pillar Left

Art. 35900402

Sx - L

3,000 kg



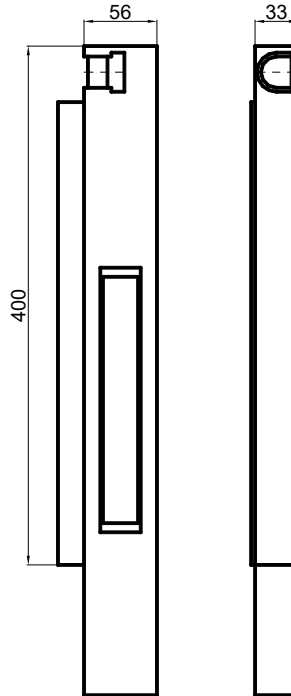
Piantone frontale singolo Dx

Single front pillar Right

Art. 35900401

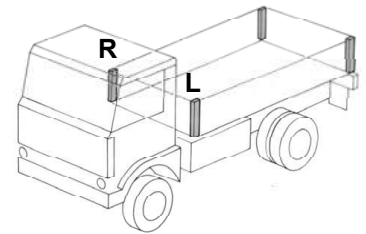
Dx - R

3,000 kg

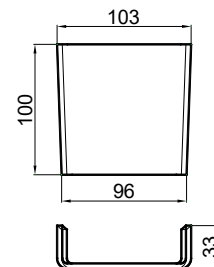


Tipo "Stretto"
Type "Narrow"

Verniciatura Cataforesi
E - black painted



Sede innesto di corredo
Female part

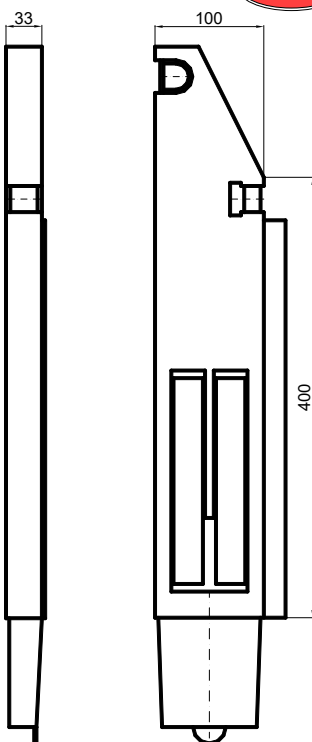


Piantone posteriore doppio Dx

Double posterior pillar Right

Art. 35900405 - 5,600 kg

Dx - R

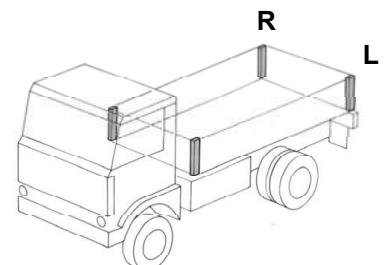
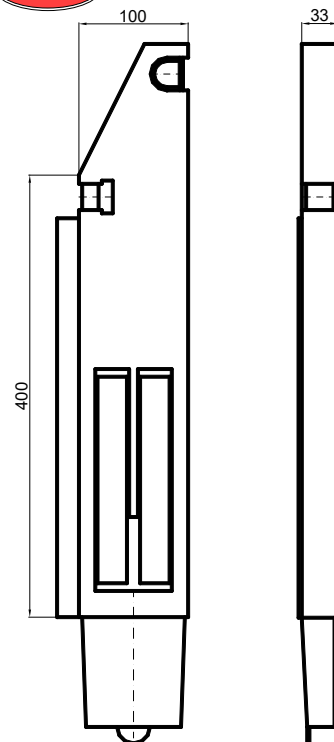


Piantone posteriore doppio Sx

Double posterior pillar Left

Art. 35900406 - 5,600 kg

Sx - L





KOUTSOFTA
BROS.

A&G KOUTSOFTA BROS LTD

23 Markou Drakou, Dasaki Achnas, Cyprus

koutsoftabros@cytanet.com.cy

Tel: +357 24722500



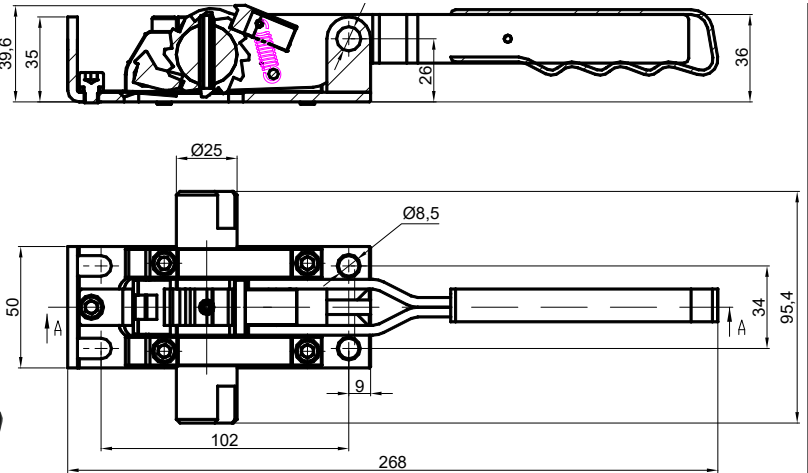
- Tendi Telone
- Centinature
- Ruote
- Fune in acciaio antigiro
- Rivetti

- *Tensioner*
- *Wheel*
- *Wire rope not revolving*
- *Rivets*



Tenditore zincato attacco doppio a taglio Ø25
Zinc plated tensioner Ø25 double cutting attachment
Art. 34480010

1,250 kg

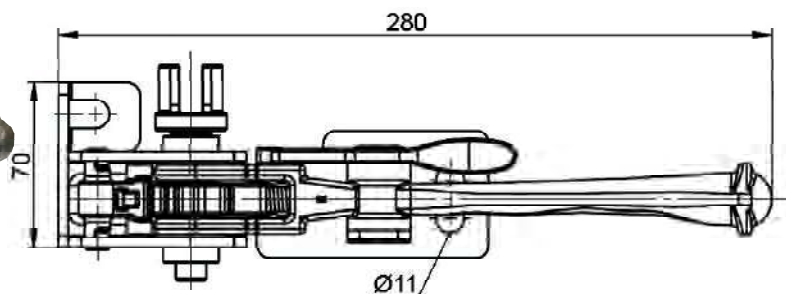
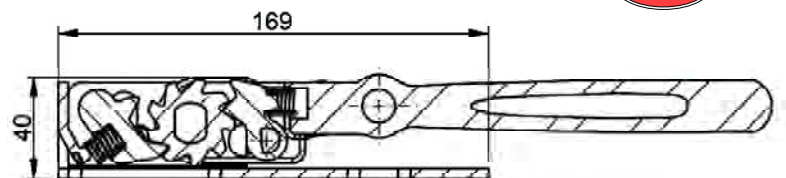
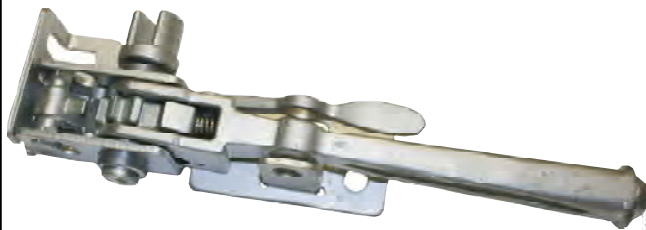


Tenditore TR in dacromet attacco a taglio Ø25
Dacromet TR tensioner Ø25 cutting attachment

Art. 34480060 Destro - *Right*

Art. 34480061 Sinistro - *Left*

1,200 kg

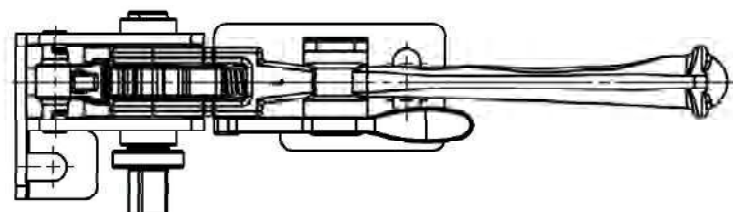
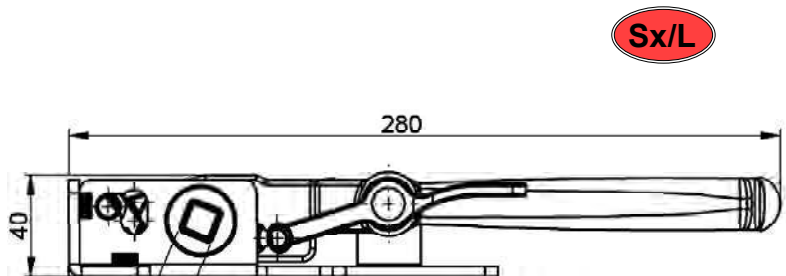


Tenditore TR in dacromet attacco quadro 12x12
Dacromet TR tensioner 12x12 square attachment

Art. 34480070 Destro - *Right*

Art. 34480071 Sinistro - *Left*

1,200 kg





Tendi telone per centinature zincato

Zinc plated curtain tensioner

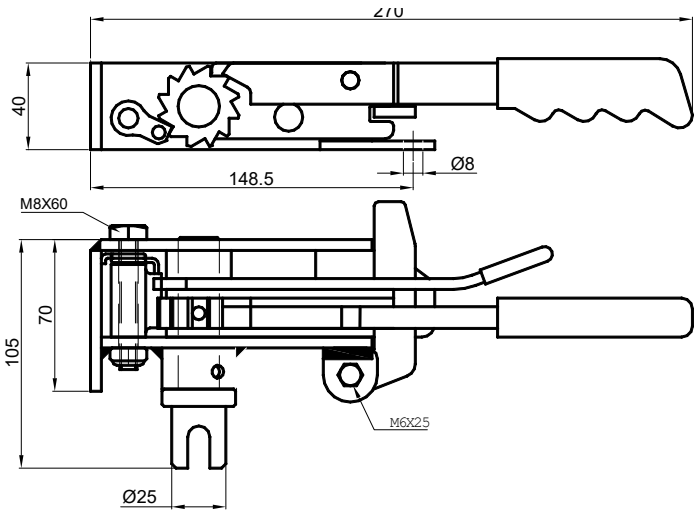
Art. 34480013 Destro - Right

Art. 34480012 Sinistro - Left

1,500 kg



Dx/R

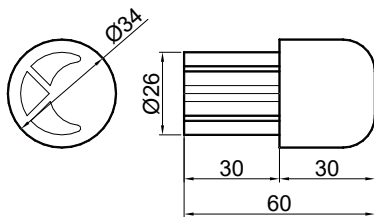


Tappo superiore per profilo

Upper end fitting for profile

Art. 34480011

0,250 kg

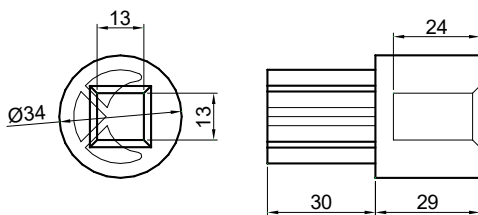


Innesto inferiore per profilo

Plug for tensioners

Art. 34480015

0,215 kg

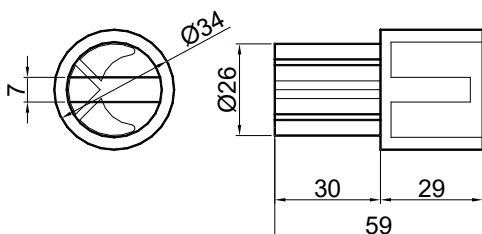


Innesto inferiore per profilo

Plug for tensioners

Art. 34480017

0,200 kg



Profilo in alluminio anodizzato Ø34

Anodised aluminium profile Ø34

Art. 34480016

3,200 kg

L= 3000 mm





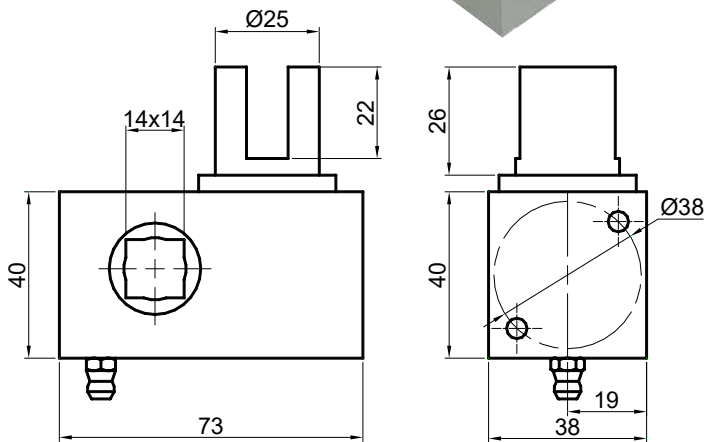
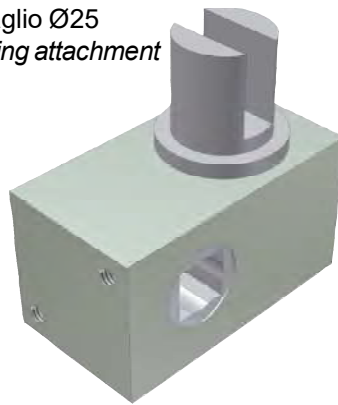
Tenditore zincato attacco a taglio Ø25
Zinc plated tensioner Ø25 cutting attachment

Art. 34480045/R

Art. 34480045/L

0,730 kg

Monoscocca
Unibody

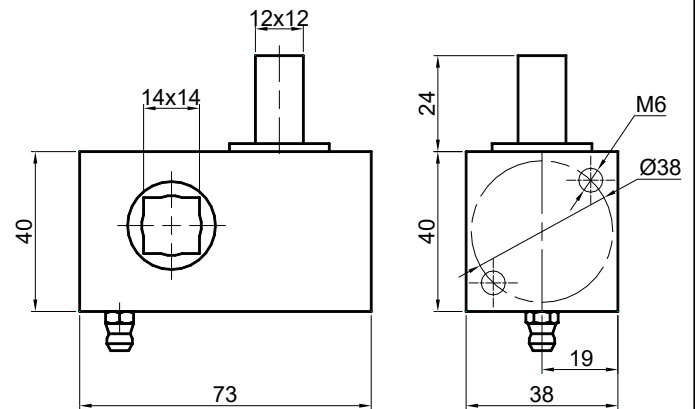
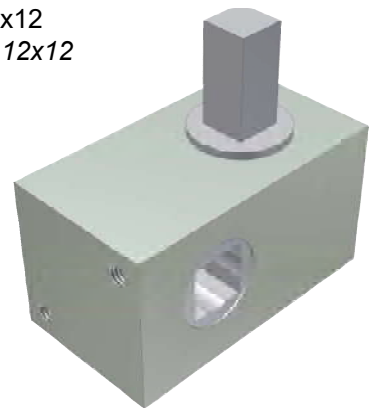


Riduttore tenditelone 12x12
Lateral curtain tensioner 12x12

Art. 34480055/R

Art. 34480055/L

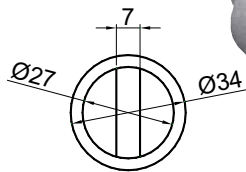
0,690 kg



Innesto inferiore in inox
Stainless steel plug for tensioners

Art. 34480021/SS

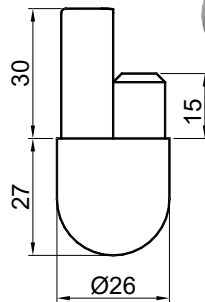
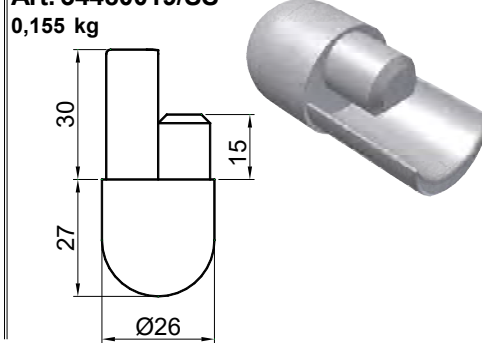
0,190 kg



Tappo inox superiore per profilo
Stainless steel upper end fitting for profile

Art. 34480019/SS

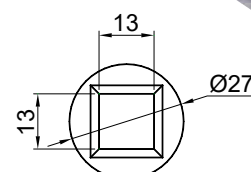
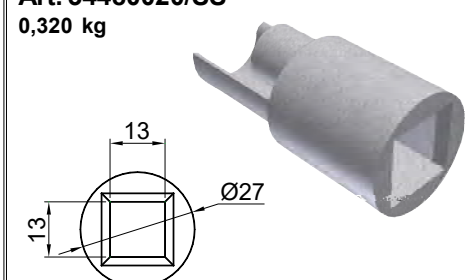
0,155 kg



Innesto inferiore in inox
Stainless steel plug for tensioners

Art. 34480020/SS

0,320 kg

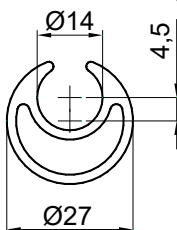
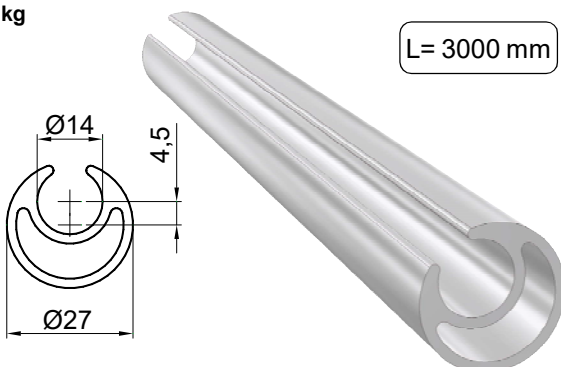


Profilo in alluminio anodizzato Ø27
Anodised aluminium profile Ø27

Art. 34480039 Anodizzato - Anodized

Art. 34480039/1 Grezzo - Raw

1,800 kg

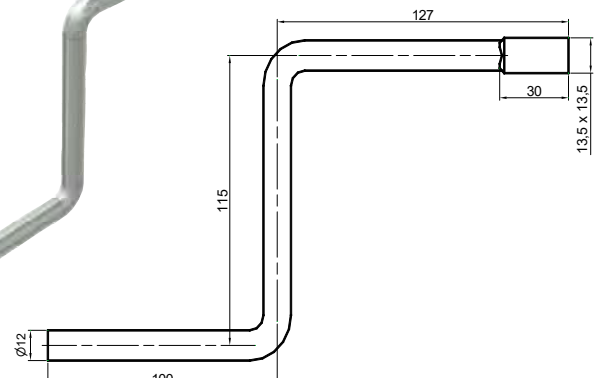
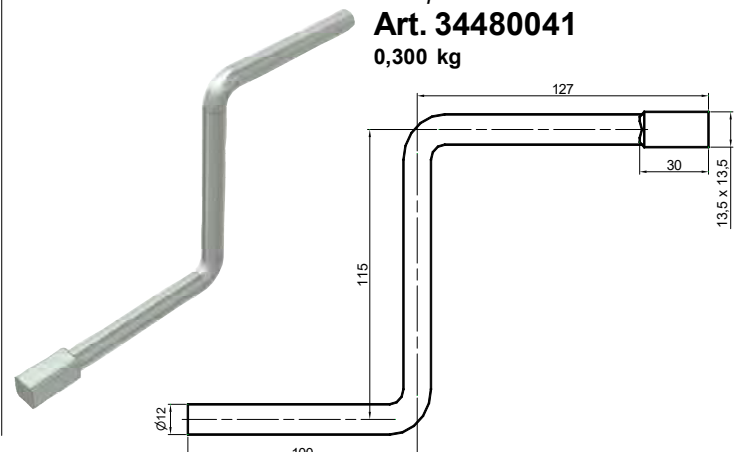


L= 3000 mm

Maniglia zincata per tenditelone
Zinc plated handle for tensioner

Art. 34480041

0,300 kg



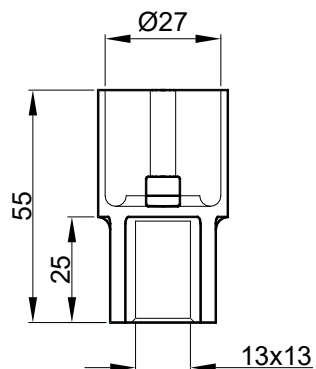


Innesto inferiore Inox A.I.

Stainless steel plug A.I.

Art. 34480018/SS

0,250 kg

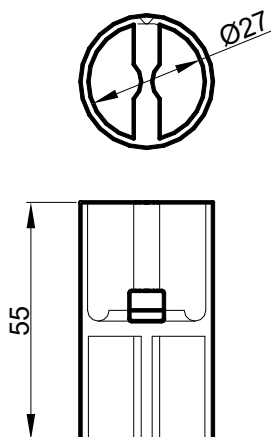


Innesto inferiore Inox A.I.

Stainless steel plug A.I.

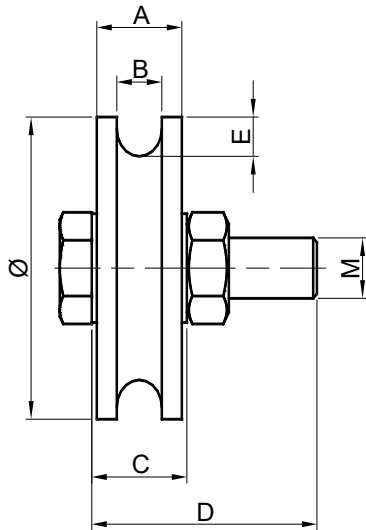
Art. 34480022/SS

0,200 kg





Ruota in acciaio zincato
Zinc plated wheel



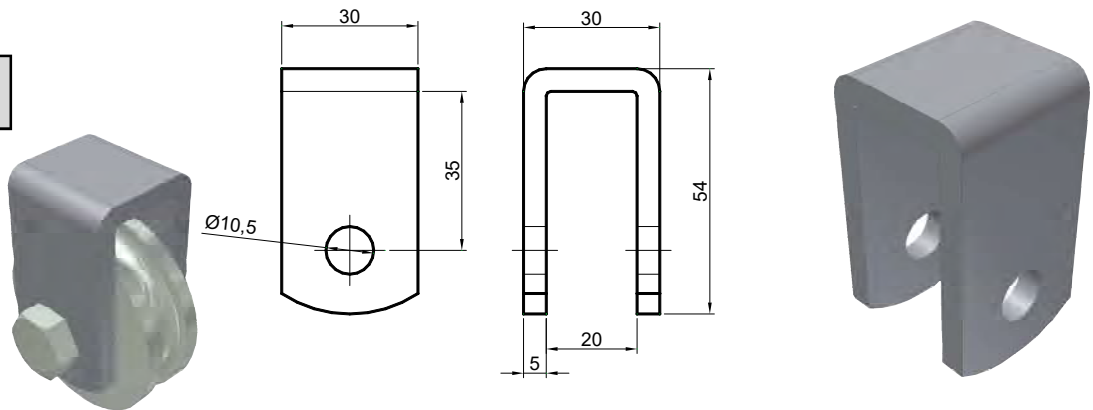
Code	Ø	A	B	C	D	E	M	kg
30107750	48	17	9	20	45	6,5	10X45	0,210
30107760	58	17	9	20	45	6,5	10X45	0,280
30107780	78	17	9	20	45	6,5	10X45	0,340
30107781	78	17	9	20	45	6,5	14X45	0,450

Supporto grezzo ad U per ruota in acciaio di Ø50 e Ø60
Raw supports for steel galvanized weels the Ø50 and Ø60

Art. 30107753

0,100 kg

For Weels
Ø50 and Ø60

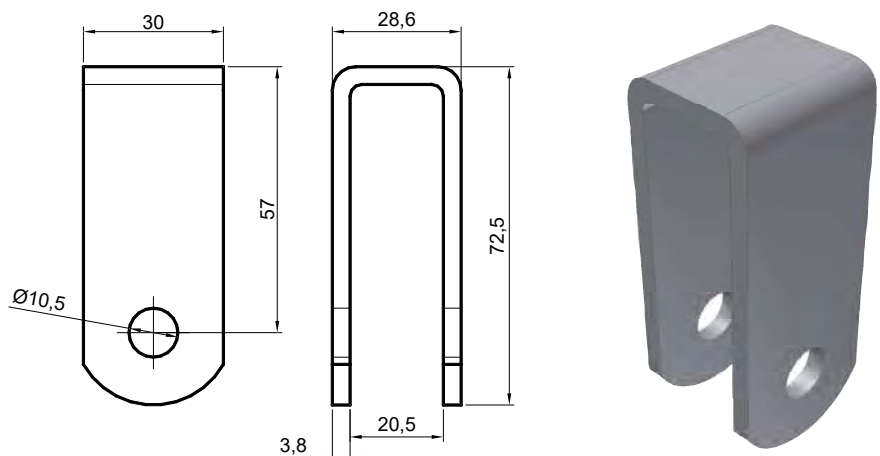


Supporto grezzo ad U per ruota in acciaio di Ø80
Raw supports for steel galvanized weels the Ø80

Art. 30107783

0,140 kg

For Weels the
Ø80



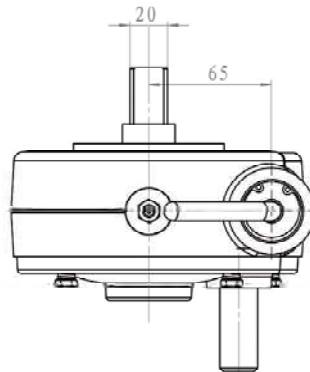
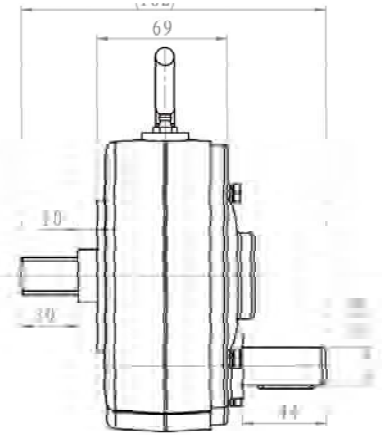
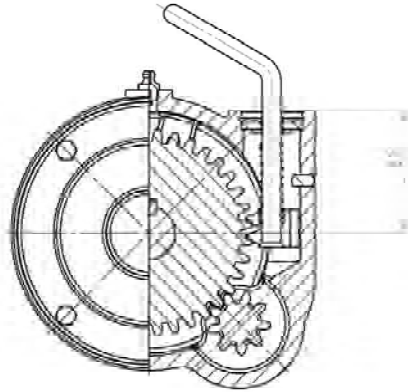
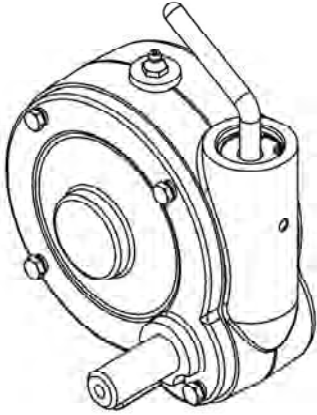


Riduttore alza centina rapp. 1:4

Reduction gear rapp. 1:4

Art. 37960017

6,650 Kg

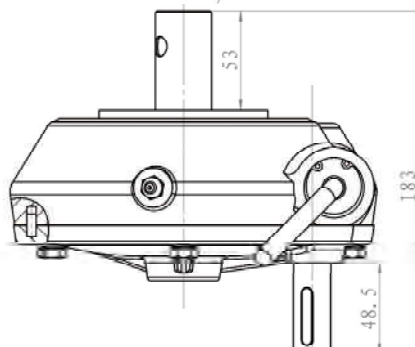
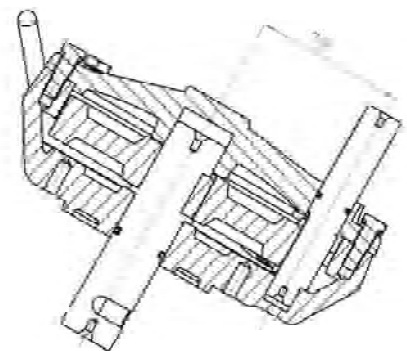
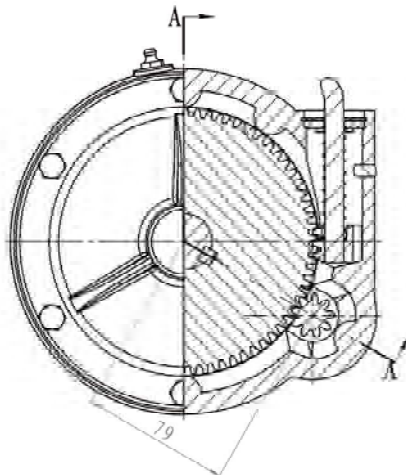
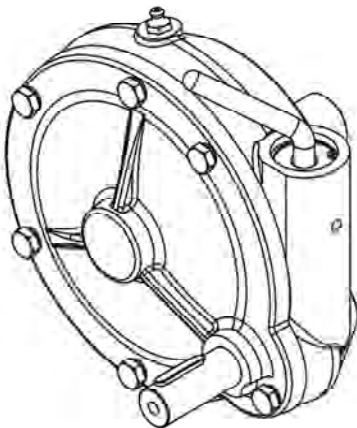


Riduttore alza centina rapp. 1:7

Reduction gear rapp. 1:7

Art. 37960018

8,700 Kg



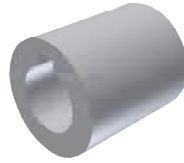
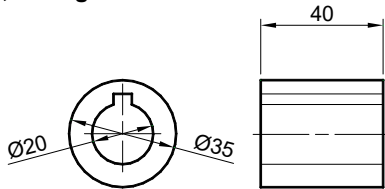


Boccola grezza per riduttori Rapp. 1:4 / 1:7

Raw bush for reducer 1:4 / 1:7

Art. 37960020

0,195 Kg



Manovella zincata per riduttori Rapp. 1:4 / 1:7

Zinc plated crank for reducer 1:4 / 1:7

Art. 37960019

1,200 Kg

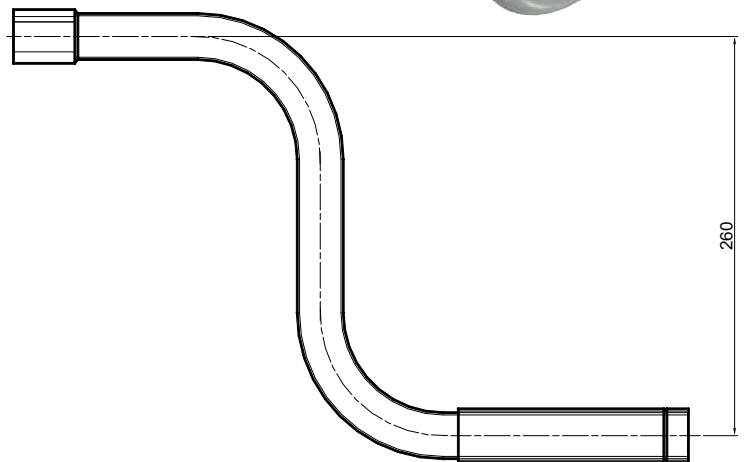
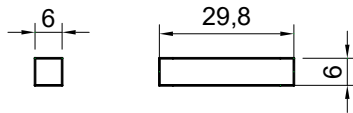


Chiavetta per riduttori Rapp. 1:4 / 1:7

Key for reducer 1:4 / 1:7

Art. 37960021

0,001 Kg

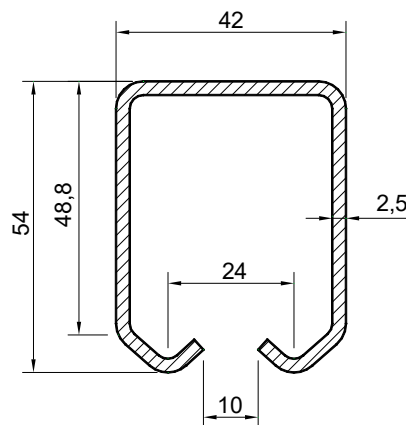


Rotaia in acciaio zincato tipo MR2

Zinc plated rail MR2 type

Art. 36425400

3,120 Kg/m

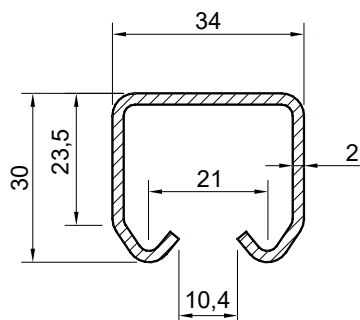


Rotaia in acciaio zincato tipo MR3

Zinc plated rail MR3 type

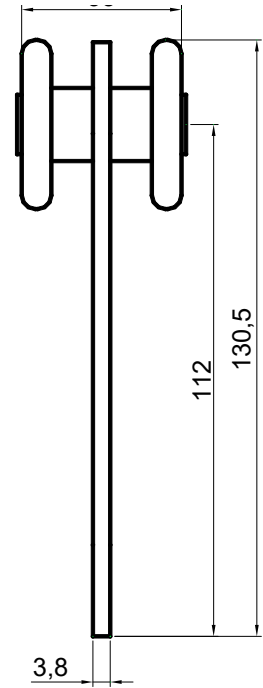
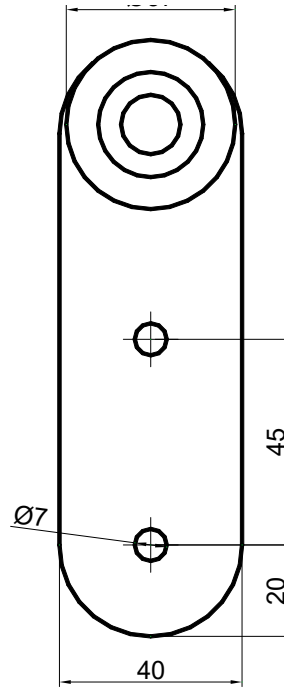
Art. 36343000

1,740 Kg/m

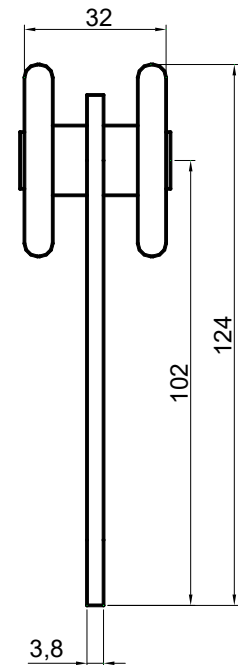
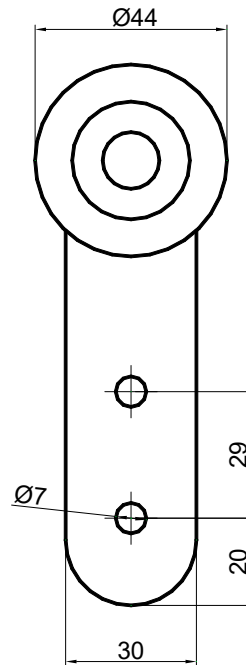




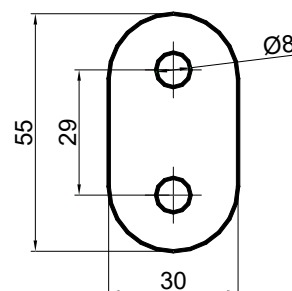
Carrucola ruote zincate Ø37
Pulley zinc plated wheels Ø37
Art. 36516000
0,380 Kg



Carrucola ruote zincate Ø44
Pulley zinc plated wheels Ø44
Art. 36516602
Carrucola ruote in nylon
Pulley nylon wheels
Art. 36516601
0,290 kg

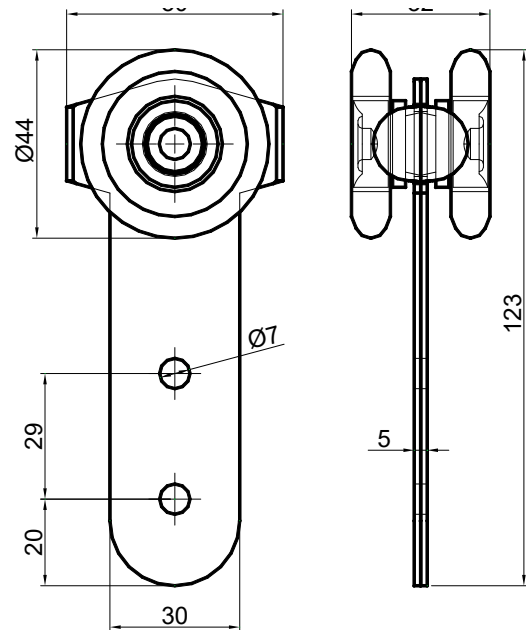


Piastra zincata
Zinc plated plate
Art. 36516603
0,032 kg

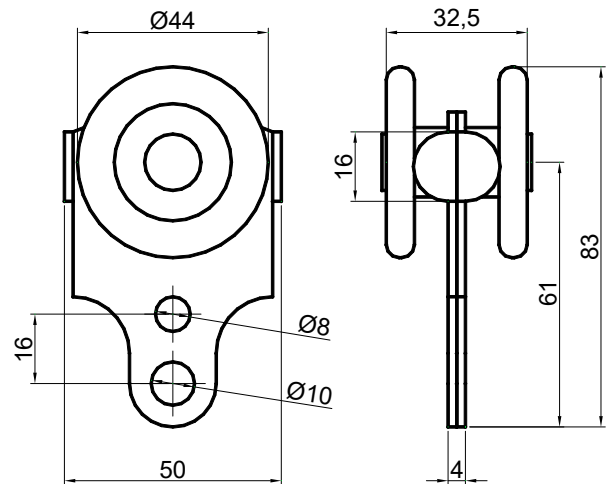




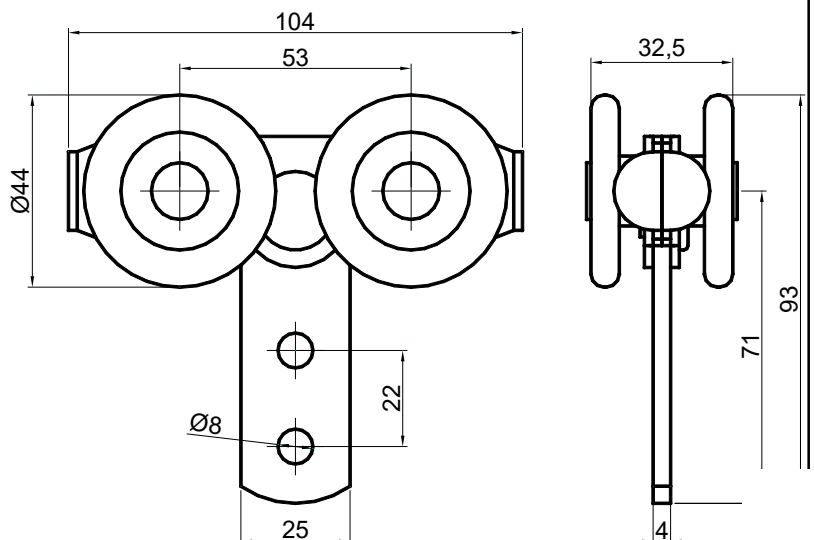
Carrucola ruote zincate Ø44
Pulley zinc plated wheels Ø44
Art. 36516602/1
0,350 kg



Carrucola ruote in nylon Ø44
Pulley nylon wheels Ø44
Art. 36301100
Carrucola ruote zincate Ø44
Pulley zinc plated wheels Ø44
Art. 36301110
0,100 Kg



Carrucola doppia ruota in nylon Ø44
Pulley double nylon wheels Ø44
Art. 36311200
Carrucola doppia ruota zincate Ø44
Pulley zinc plated double wheels Ø44
Art. 36311210
0,300 Kg

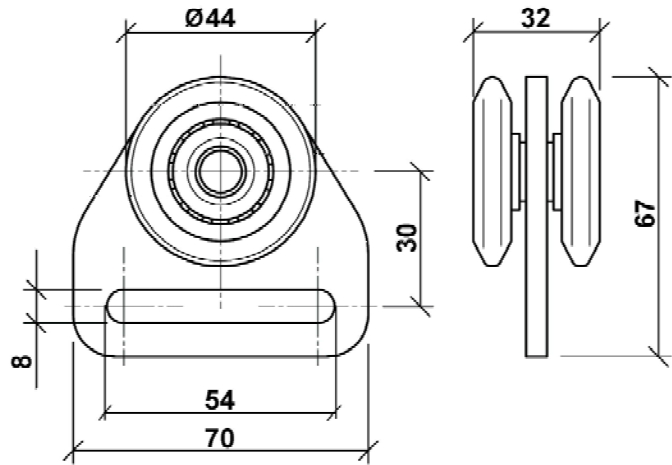
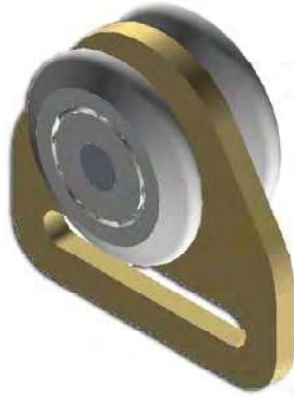




Carrucola ruote zincate Ø44
Pulley zinc plated wheels Ø44

Art. 36516050

0,290 kg



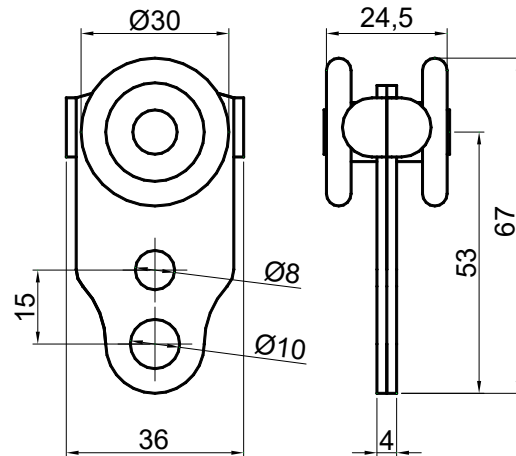
Carrucola ruota in nylon Ø30
Pulley nylon wheels Ø30

Art. 36100110

Carrucola ruote zincate Ø30
Pulley zinc plated wheels Ø30

Art. 36101110

0,100 Kg



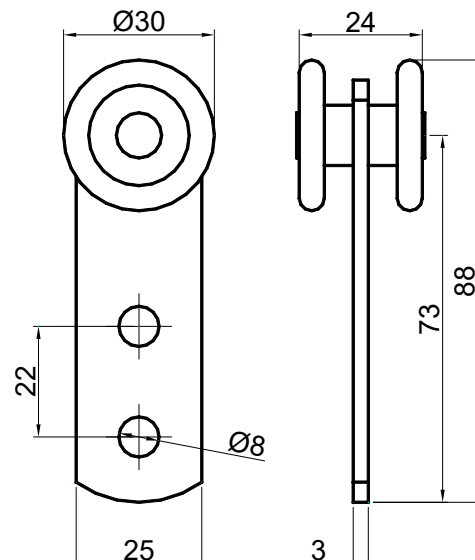
Carrucola ruota in nylon Ø30
Pulley nylon wheels Ø30

Art. 36200110

Carrucola ruote zincate Ø30
Pulley zinc plated wheels Ø30

Art. 36201110

0,120 Kg





Carrucola doppia ruota in nylon Ø30

Pulley double nylon wheels Ø30

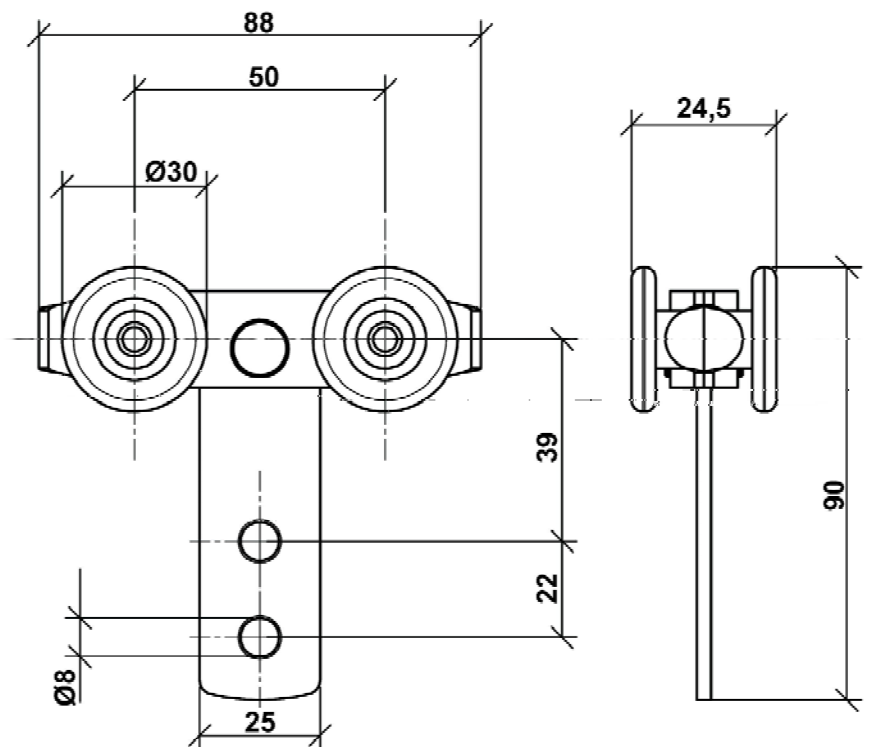
Art. 36300110

Carrucola doppia ruota zincate Ø30

Pulley zinc plated double wheels Ø30

Art. 36300010

0,200 Kg





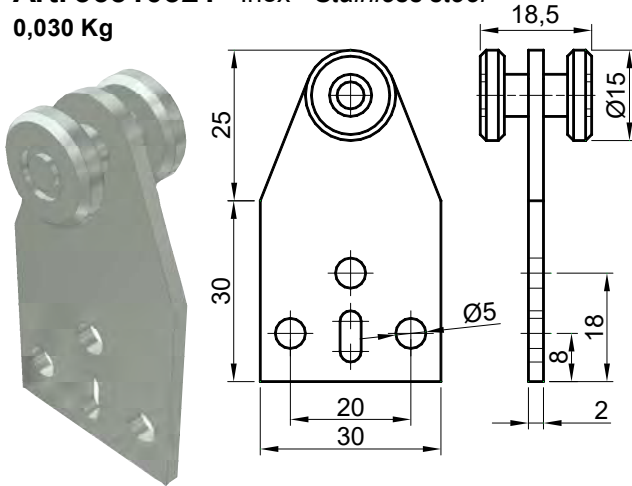
Carrucola ruote Ø15

Pulley wheels Ø15

Art. 36510421 Zincata - Zinc plated

Art. 36510321 Inox - Stainless steel

0,030 Kg

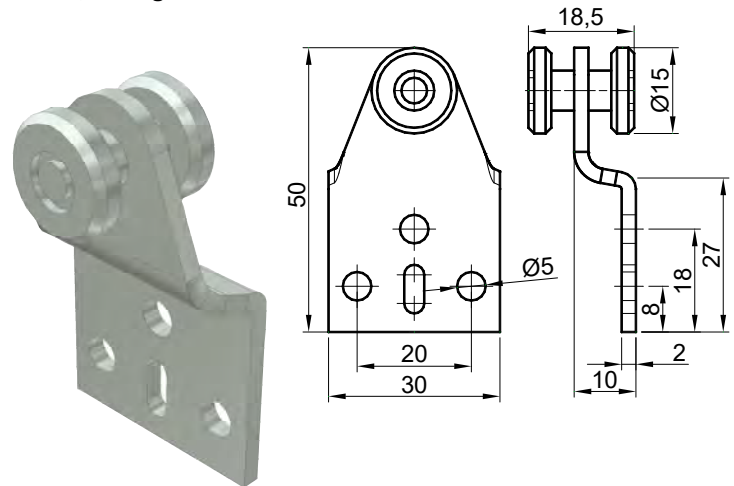


Carrucola ruote zincate Ø15

Pulley zinc plated wheels Ø15

Art. 36510420

0,030 Kg



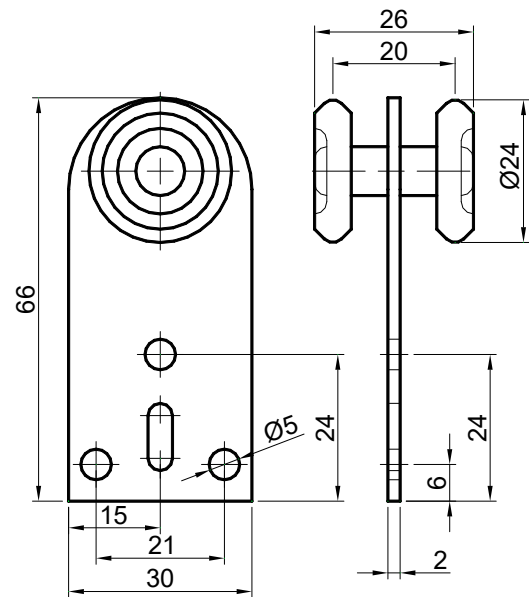
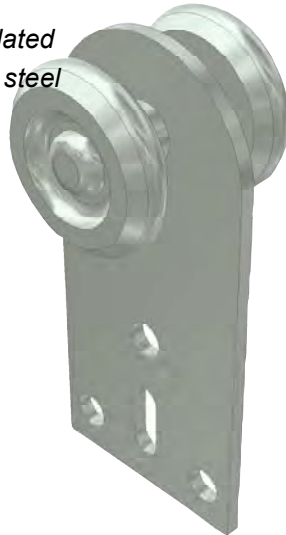
Carrucola ruote Ø24

Pulley wheels Ø24

Art. 36100130 Zincata - Zinc plated

Art. 36100330 Inox - Stainless steel

0,060 Kg

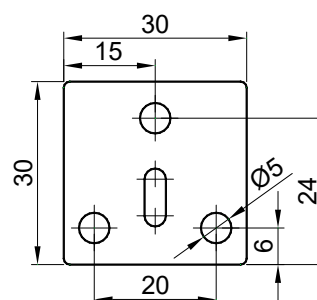


Piastrina zincata

Zinc plated steel sheet

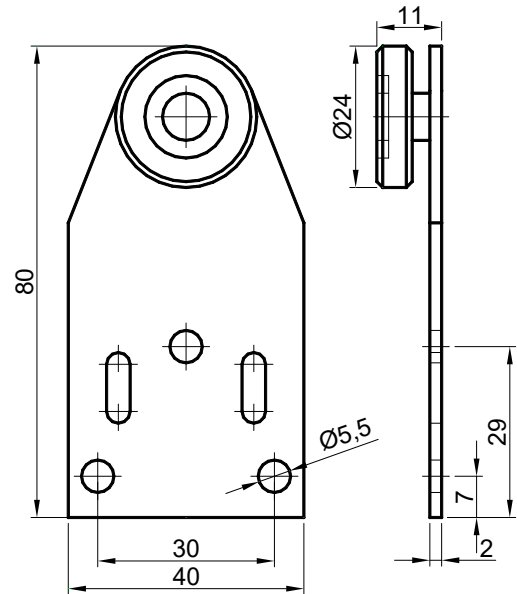
Art. 36520421

0,009 Kg

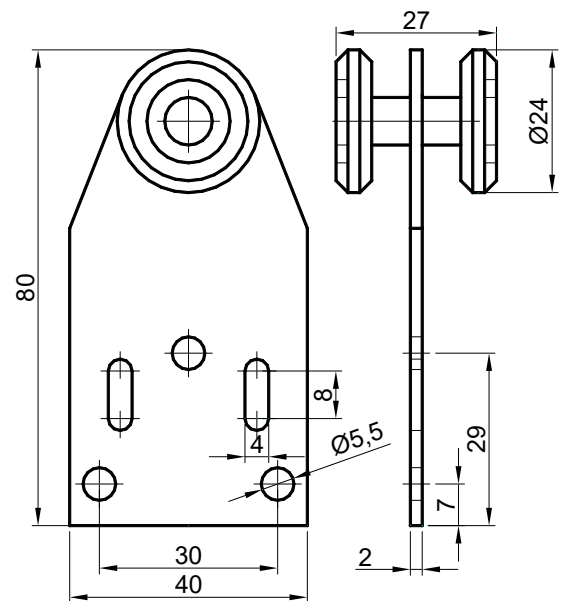
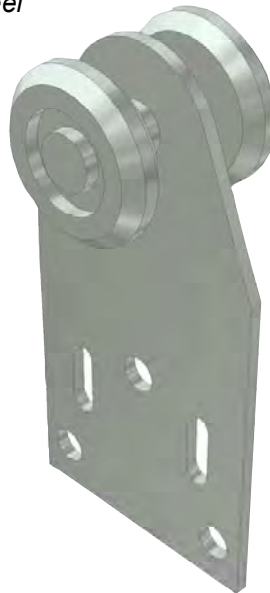




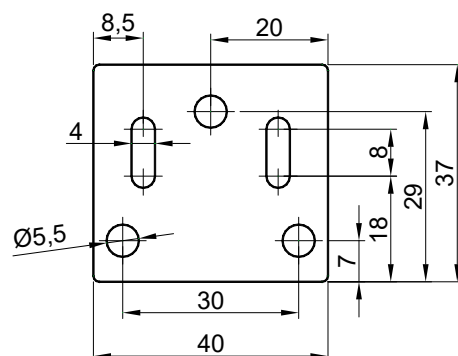
Carrucola ruote zincate Ø24
Pulley zinc plated wheels Ø24
Art. 36410000
0,070 kg



Carrucola ruote Ø24
Pulley wheels Ø24
Art. 36420030 Zincata - Zinc plated
Art. 36420330 Inox - Stainless steel
0,080 kg

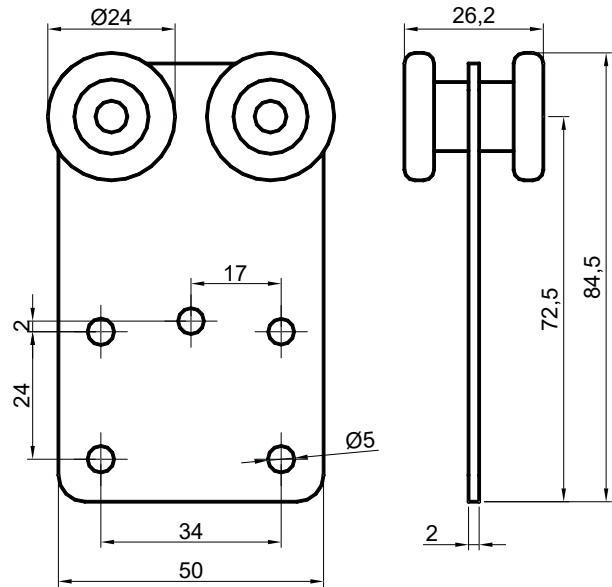
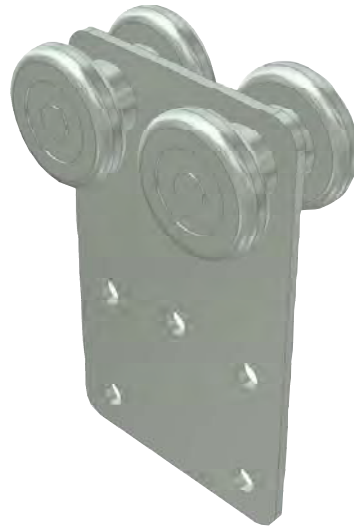


Piastrina zincata
Zinc plated steel sheet
Art. 36422030
0,015 kg

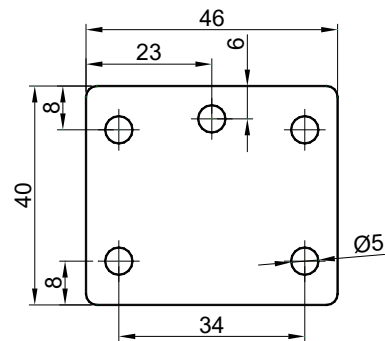




Carrucola ruote zincate Ø24
Pulley zinc plated wheels Ø24
Art. 36440000
0,100 kg



Piastrina zincata
Zinc plated steel sheet
Art. 36440040
0,020 kg

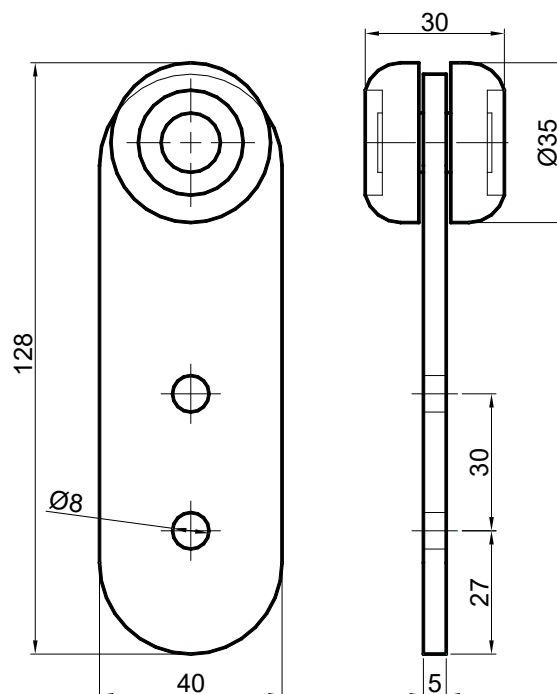




Carrelli per teloni montati su biglie e ruote in nylon Ø35
Trolley for sliding couratins, fitted out on balls and nylon rollers Ø35

Art. 36123100

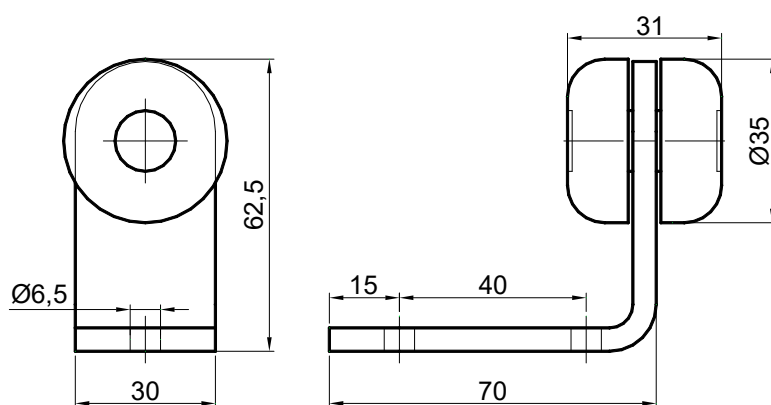
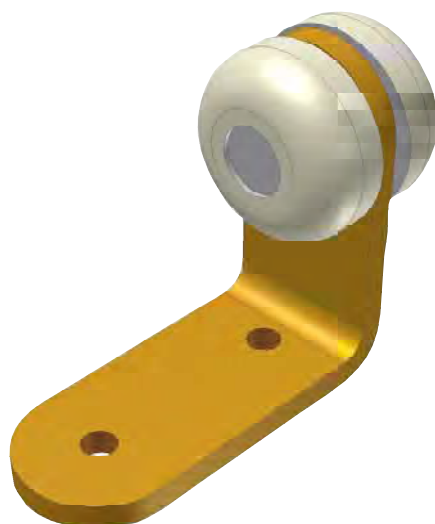
0,230 kg



Carrelli per teloni montati su biglie e ruote in nylon Ø35
Trolley for sliding couratins, fitted out on balls and nylon rollers Ø35

Art. 36124100

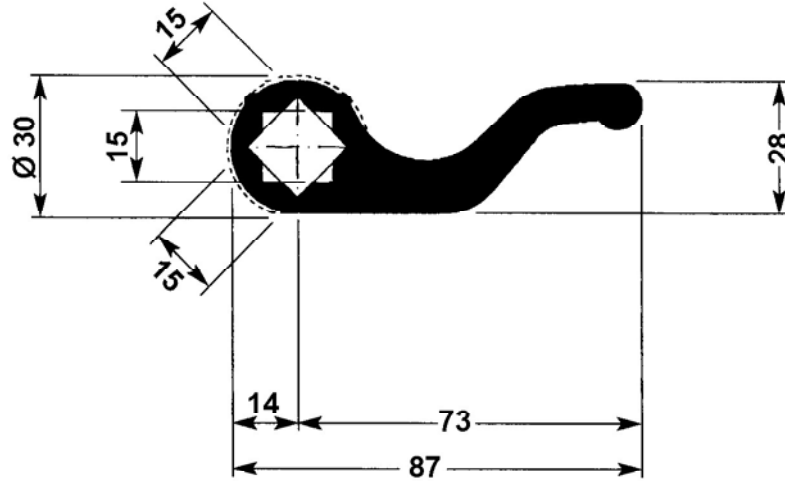
0,180 kg



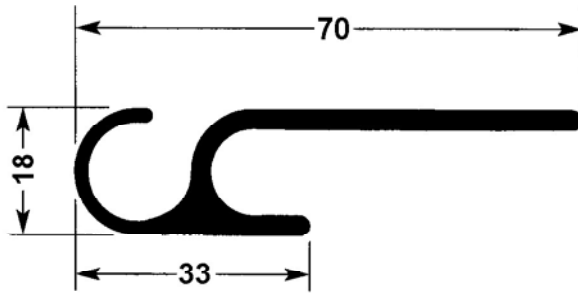


Profili in alluminio
Aluminium profiles

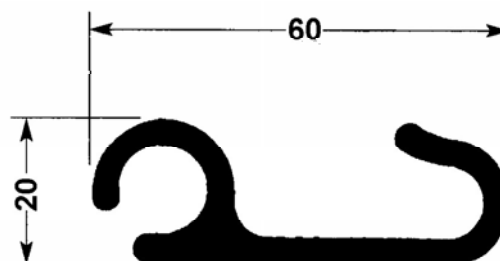
Art. 34480031 - 2,790 kg/mt

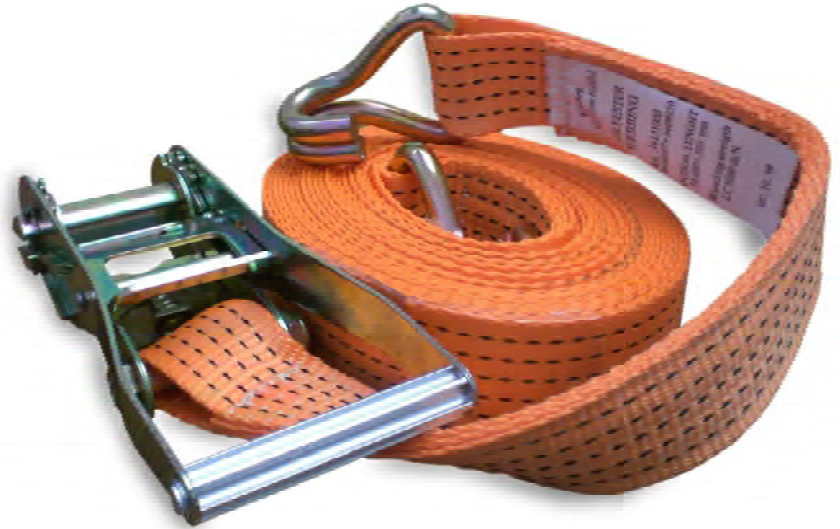


Art. 34480032 - 0,873 kg/mt



Art. 34480033 - 1,003 kg/mt

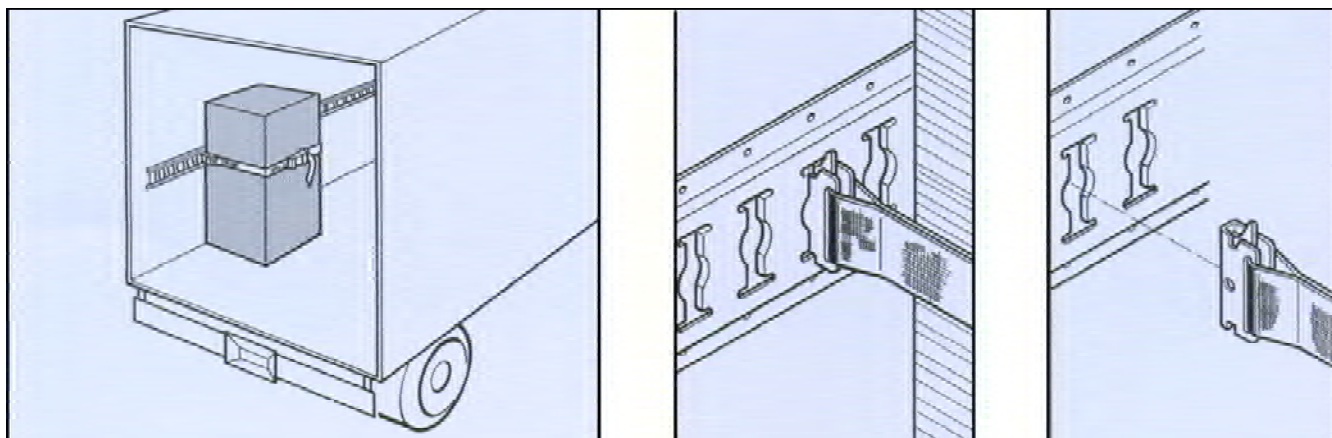




- Tenditori per nastri
- Equipaggiamenti a nastro fermacarico
- Supporti per appoggio barre orizzontali
- Cinghie corte con gancio
- Ganci per cinghie
- Equipaggiamento tenditore con ganci
- Cavallotti tendifune - gancy nylon

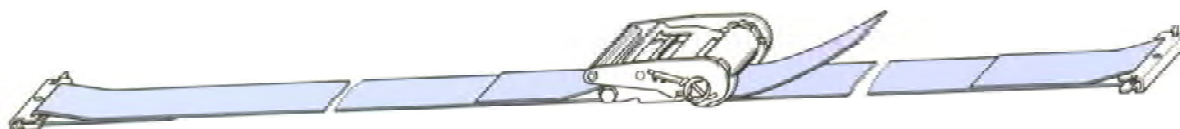
- *Webbing ratchet boucles*
- *Cargo control straps for box vehicles*
- *Decking brackets*
- *Side curtain straps*
- *Hooks for straps*
- *Ratchet strap assemble*
- *Lashing ring and nylon hook*

8



Cinghia con tensore e bloccaggio con ganci a blocco
Belt with tensor and locking with lock belt fastener

Sangle à tendeur à blocage avec crochets
Ratschenschlossgurt mit zurrschienenbeschlag

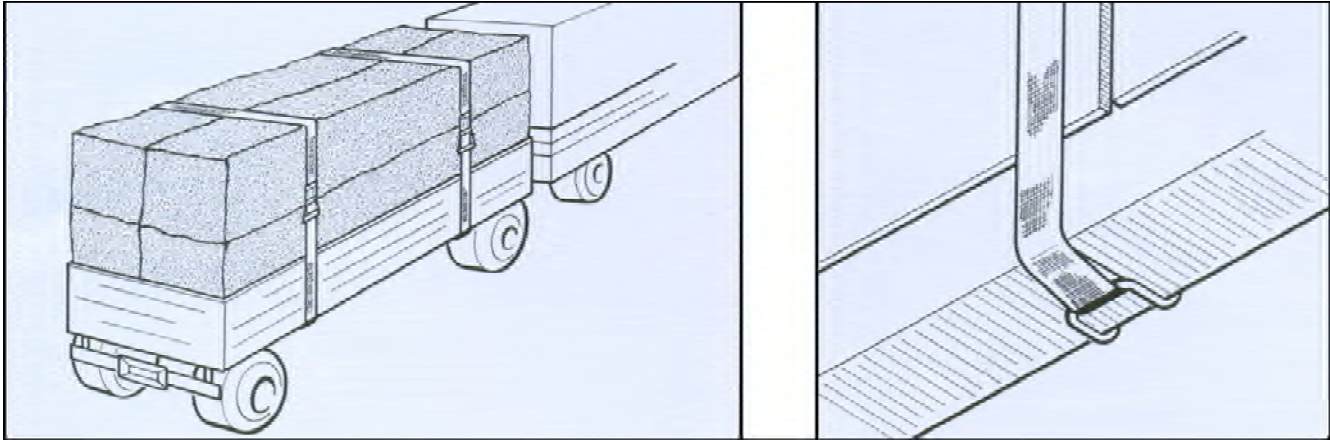


Articolo <i>Article</i>	Lunghezza totale <i>Overall Length</i> (mm)	Lunghezzacinghia fissa <i>Fixed Length</i> (mm)	Larghezza <i>Width</i> (mm)	Carico max <i>Breaking load</i> (kg)	Peso <i>Weight</i> (kg)
34495102	4.000	1000	50	1700	1,00

CE EN 12195-2

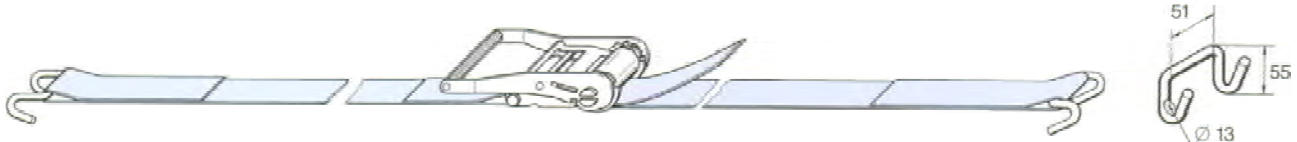
*Norma di riferimento
*Reference regulation





Cinghia con tensore e bloccaggio con ganci a griffe
Belt with tensor and locking with belt fastener

Sangle à tendeur à blocage avec crochets à griffes
Ratschenschlossgurt mit geschlossenem klauenhaken



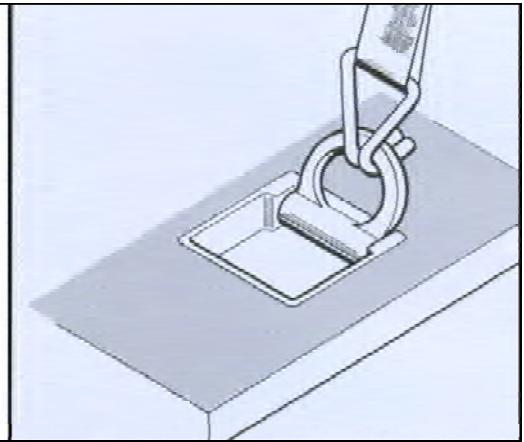
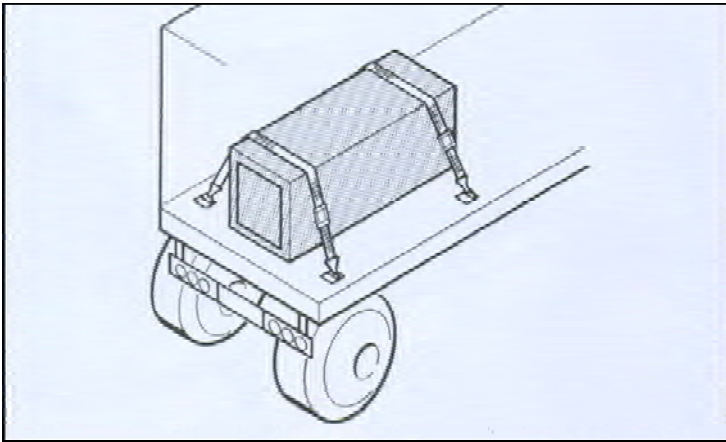
Articolo Article	Lunghezza totale Overall Length (mm)	Lunghezza cinghia fissa Fixed Length (mm)	Larghezza Width (mm)	Carico max Breaking load (kg)	Peso Weight (kg)
34128000	8.000	500	50	5000	3,00

CE EN 12195-2

*Norma di riferimento

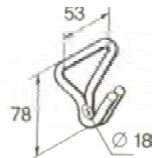
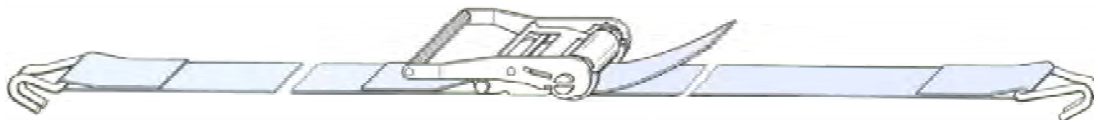
*Reference regulation





Cinghia con tensore e bloccaggio con ganci in trafilato
Belt with tensor and locking with drawn belt fastener

Sangle à tendeur à blocage avec crochets en tréfilé
Ratschenschlossgurt mit geschlossenem drahthaken



Articolo Article	Lunghezza totale Overall Length (mm)	Lunghezze cinghia fissa Fixed Length (mm)	Larghezza Width (mm)	Carico max Breaking load (kg)	Peso Weight (kg)
34108000	8.000	500	50	5000	2,70
34131000	10.000	500	50	5000	2,90

CE EN 12195-2

*Norma di riferimento
*Reference regulation

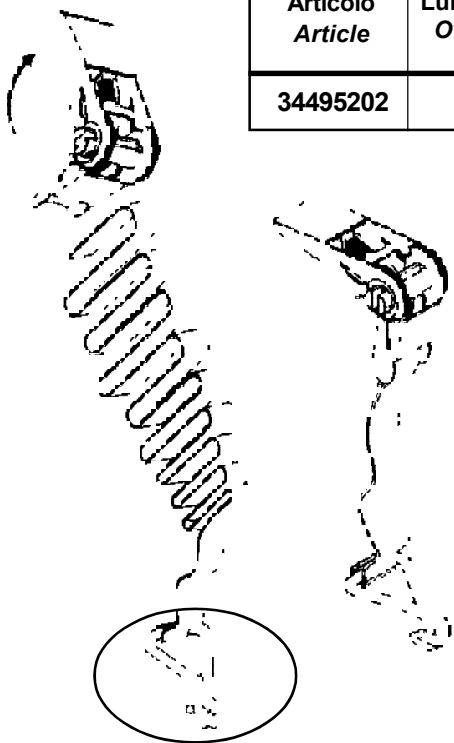




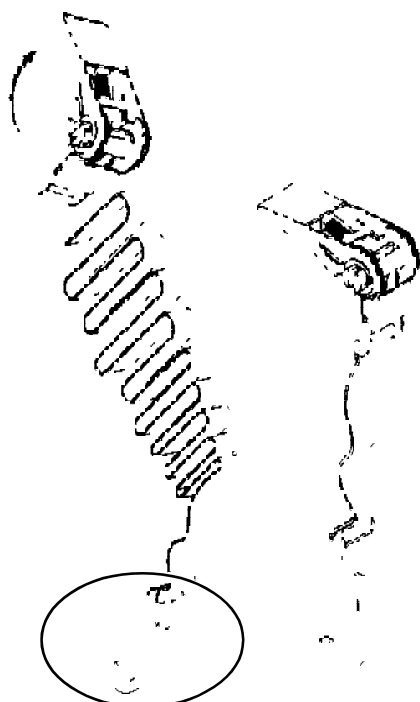
Cinghia con tensore e bloccaggio con ganci in trafilato
Belt with tensor and locking with drawn belt fastener

Sangle à tendeur à blocage avec crochets en tréfilé
Ratschenschlossgurt mit geschlossenem drahthaken

Articolo Article	Lunghezza totale Overall Length (mm)	Lunghezzacinghia fissa Fixed Length (mm)	Larghezza Width (mm)	Carico max Breaking load (kg)	Peso Weight (kg)
34495202	5.000	500	25	500	0,750



Articolo Article	Lunghezza totale Overall Length (mm)	Lunghezzacinghia fissa Fixed Length (mm)	Larghezza Width (mm)	Carico max Breaking load (kg)	Peso Weight (kg)
34495000	5.000	500	25	500	0,750

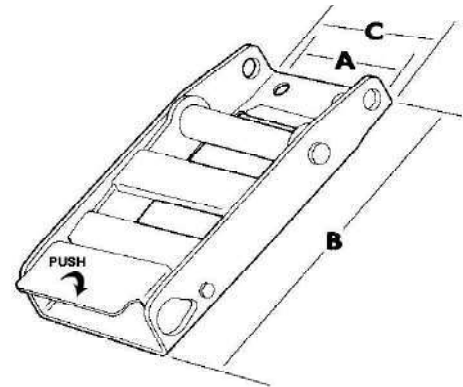
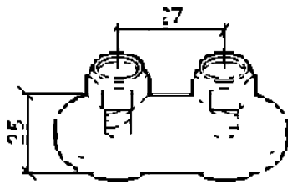




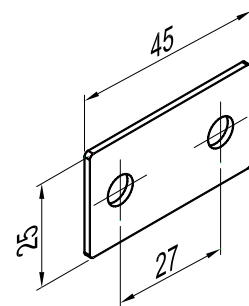
Code	A (mm)	B (mm)	C (mm)	Weight (kg)	Breaking load (kg)
34400027	50	137	57	0,320	1360



Bottone di fissaggio rivestito in PVC
PVC coated Striker
Art.34400107
0,080 kg



Scontrino in acciaio inox
Inox striker plate
Art.34400117
0,010 kg



Tenditore in Inox completo
Kit Ratchet stainless steel
Art.34495222
0,560 kg



Tenditore in Inox completo
Kit Ratchet stainless steel
Art.34495400
0,550 kg

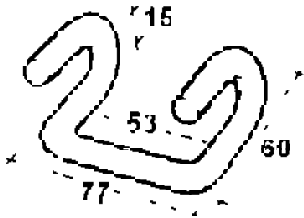




Gancio zincato Ø12
Zinc plated hooks Ø12

Art.34490221

0,200 kg



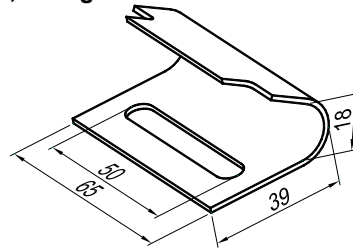
Breaking load 5000 kg

Gancio inox Spessore 3 mm

Stainless steel hooks thickness 3 mm

Art.34490400

0,200 kg

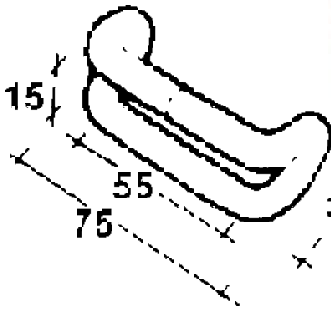


Breaking load 1500 kg

Gancio zincato Ø10
Zinc plated hooks Ø10

Art.34490222

0,145 kg

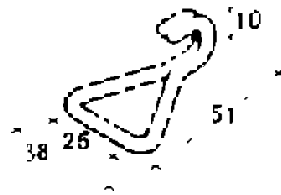


Breaking load 1500 kg

Gancio zincato Ø7
Zinc plated hooks Ø7

Art.34490131

0,046 kg



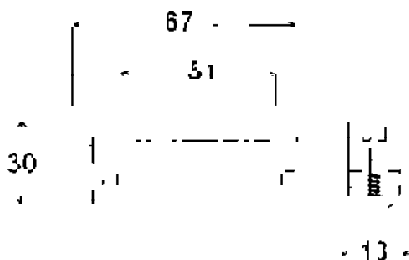
Breaking load 300 kg

Supporto zincato per appoggio barre orizzontali

Zinc plated Decking brackets

Art.34430101

0,080 kg



Supporto zincato per appoggio barre orizzontali

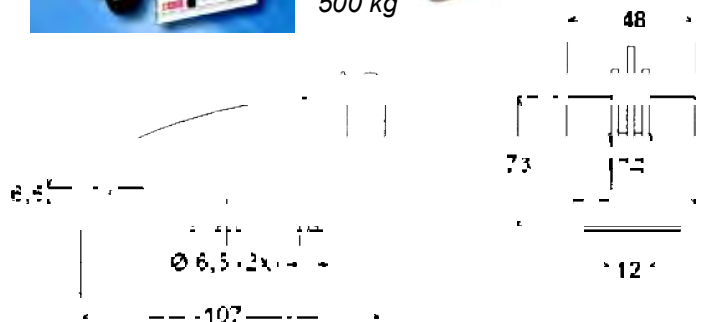
Zinc plated Decking brackets

Art.34430102

0,400 kg



Max load
500 kg

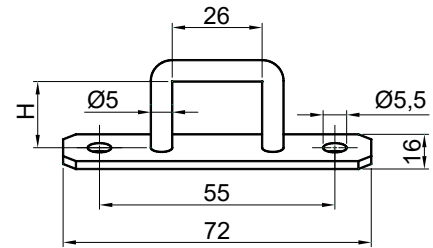




Cavallo rettangolare tendifune zincato

Zinc plated Rectangular lashing ring

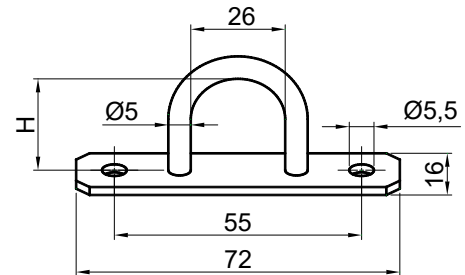
Art.45300115 H=15 - 0,024 kg



Cavallo tendifune ovale zincato

Zinc plated Half round lashing ring

Art.45304302 H=30 - 0,030 kg

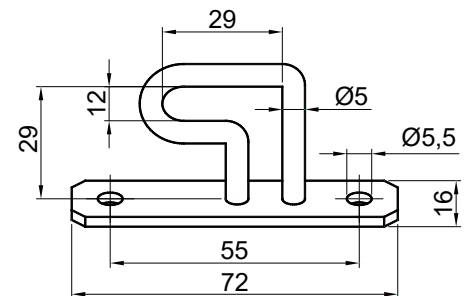


Cavallo sagomato zincato

Zinc plated Offset lashing ring

Art.45303004

0,036 kg

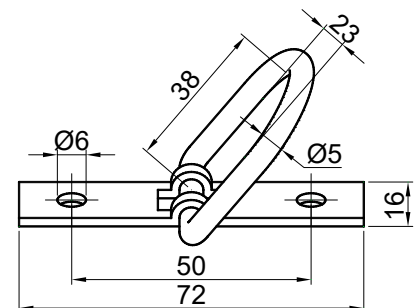


Cavallo zincato tendifune ad anello

Zinc plated Offset lashing ring

Art.45304006

0,036 kg

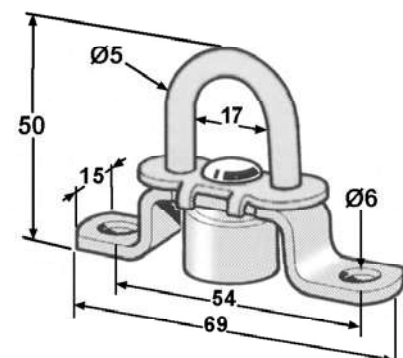


Cavallo zincato tendifune ad anello fisso

Zinc plated Offset lashing ring

Art.45304509

0,040 kg



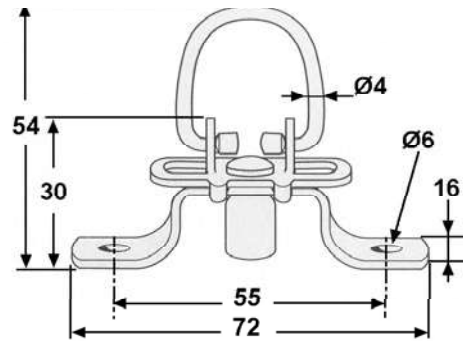


Cavallotto tendifune ad anello ribaltabile zincato

Zinc plated Articuled locking ring

Art.45304519

0,040 kg

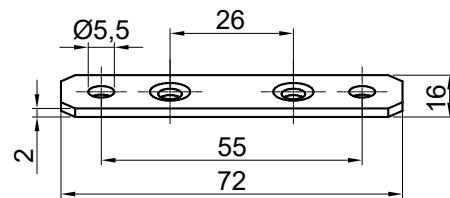


Piastrino zincato per cavallotto tendifune zincato

Zinc plated Plate for lashing ring galvanized

Art.45304539

0,016 kg

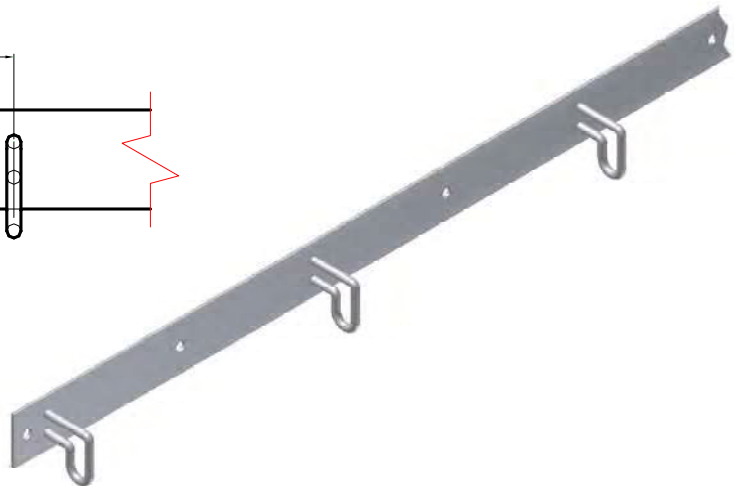
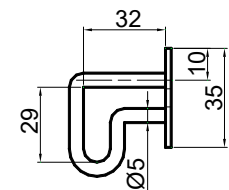
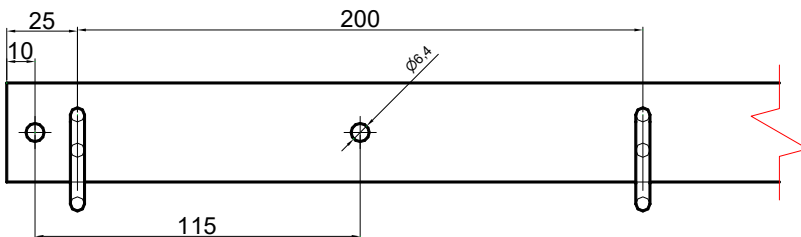


Barra L=1050 con cavallotti sagomati zincati

Zinc plated Bar L=1050 with Offset lashing ring

Art.45409105

0,700 kg

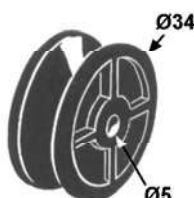


Puleggia in plastica nera

Pulley black plastic

Art.45203550

0,004 kg



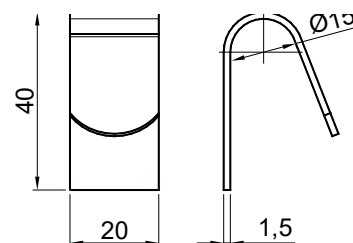


Gancio corto grezzo per elastico teloni
Raw Cover hook to be welded on raw

Art.45103200

0,015 kg

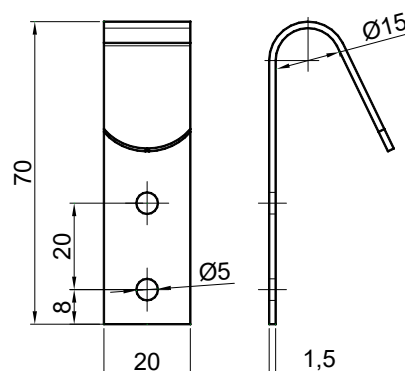
1000 Pz.



Gancio lungo zincato per elastico teloni
Zinc plated Cover hook

Art.45103110

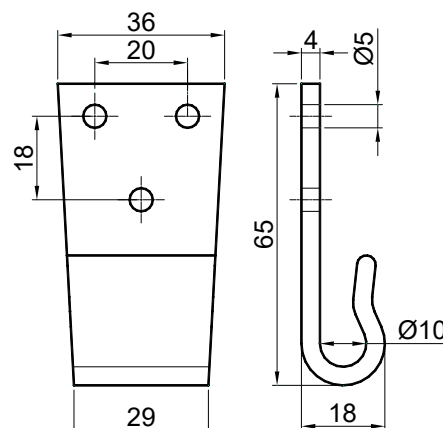
0,028 kg



Gancio per teloni in Nylon bianco
Nylon with the curtain rope hook

Art.45139100

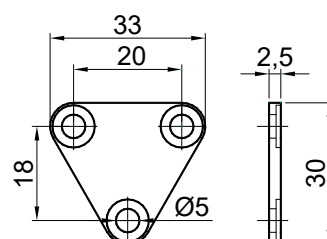
0,012 kg



Scontrino in Nylon
Nylon with the plate to fit the rope guide

Art.45139200

0,005 kg

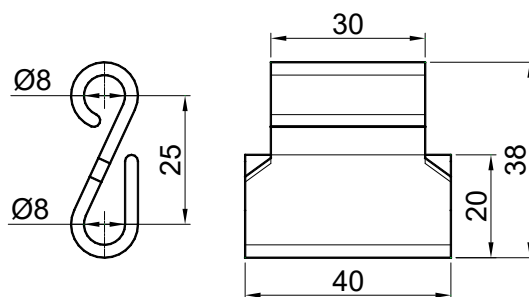
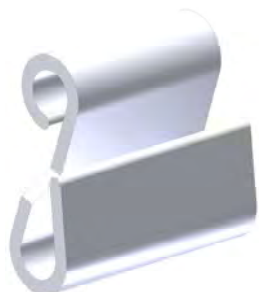




Gancio per teloni in Nylon bianco
White Nylon curtain rope hook

Art.45139300

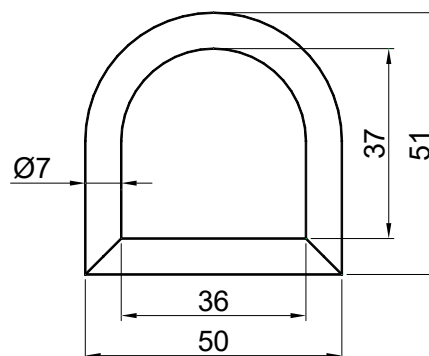
0,010 kg



Anello in Nylon bianco
White Nylon eye rope

Art.45139400

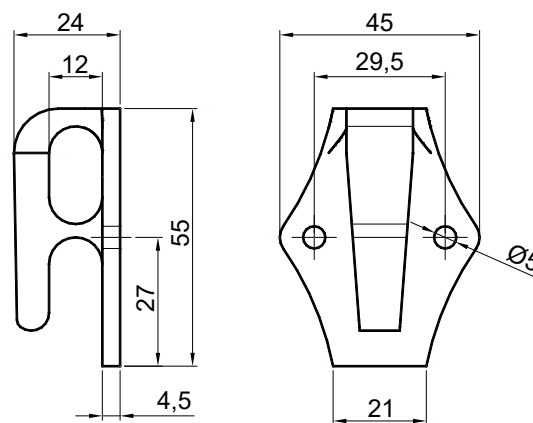
0,007 kg



Gancio telone Kobra Nylon bianco
White Nylon Kobra rope guide

Art.45138100

0,015 kg





- Anelli fermacarico
- Ganci telone e tendifune
- Supporti asta centina
- Avvolgimento tourillon
- Supporto tubo centina
- Supporti per fissaggio chassis

- *Lashing ring*
- *Rope guide hooks*
- *Steel pockets*
- *Drop - forged steel link pin*
- *Roof rubber brackets*
- *Body mounted brackets*

9



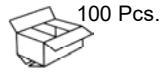
Anello fermacarico

Lashing ring

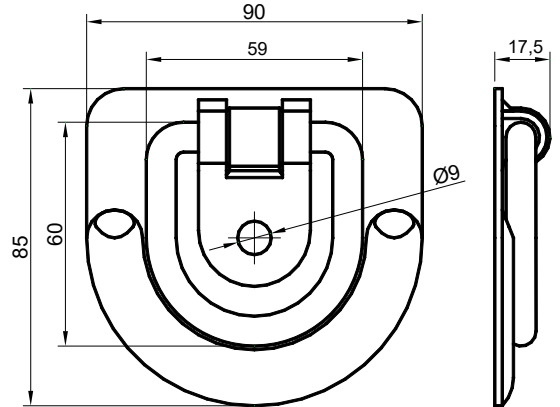
Art.45020304 Inox - Stainless steel

Art.45020314 Zincato / Zinc plated

0,200 kg



Capacità utile
Capacity load
200 kg



UNI EN 12640:2019 DIN 75410-1:2003
*Scheda tecnica di prova fornita a richiesta
*Test data supplied on request

Anello fermacarico incassato

Recessed lashing ring

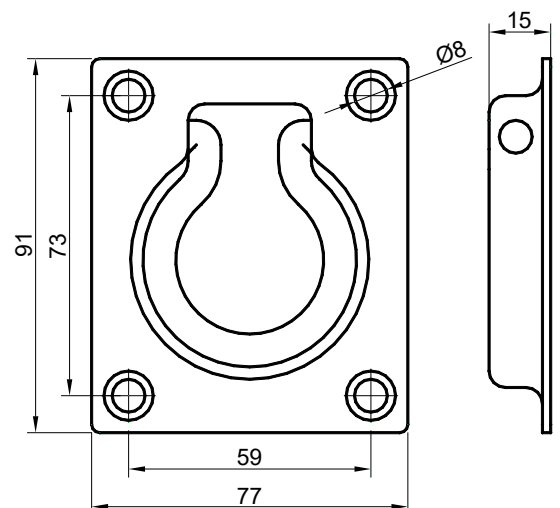
Art.45020303 Inox - Stainless steel

Art.45020313 Zincato - Zinc plated

0,200 kg



Capacità utile
Capacity load
150 kg



UNI EN 12640:2019 DIN 75410-1:2003
*Scheda tecnica di prova fornita a richiesta
*Test data supplied on request



Anello fermacarico leggero incassato con molla

Light recessed lashing ring with spring

Art.45095110 Zincato - Zinc plated

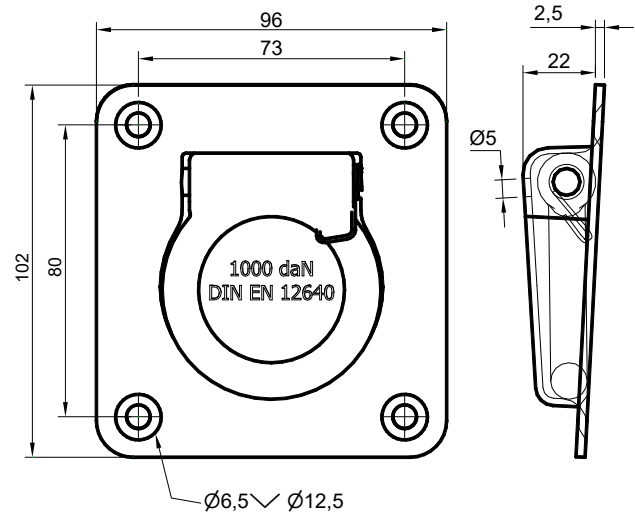
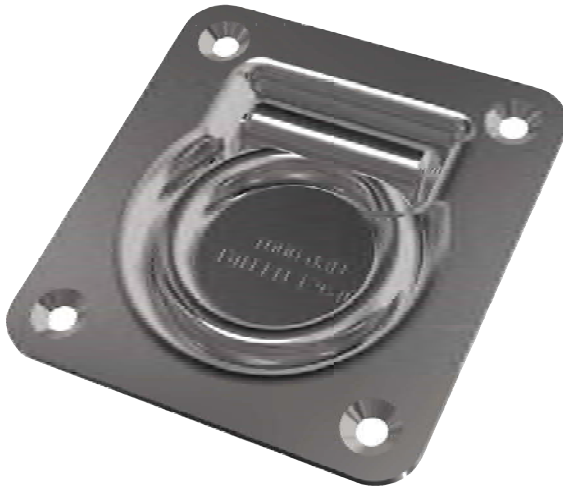
Art.45095200 Inox - Stainless steel

Art.45095210 Zincato a caldo - Hot galvanized

0,380 kg



50 Pcs.



Capacità utile
Capacity load
1000 kg

UNI EN 12640:2001 DIN 75410-1:2003
*Scheda tecnica di prova fornita a richiesta
*Test data supplied on request

Anello fermacarico zincato

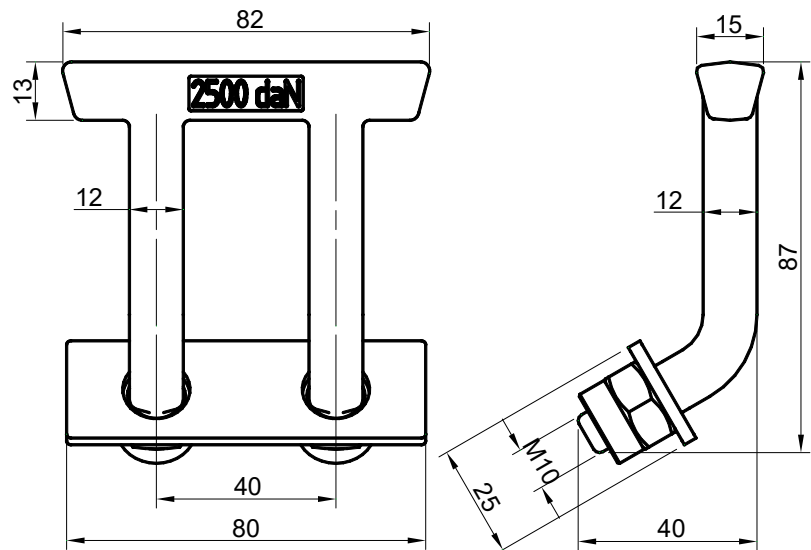
Zinc plated Lashing ring

Art.45091110

0,320 kg



40 Pcs.



UNI EN 12640:2001 DIN 75410-1:2003
*Scheda tecnica di prova fornita a richiesta
*Test data supplied on request

Capacità utile
Capacity load
2500 kg

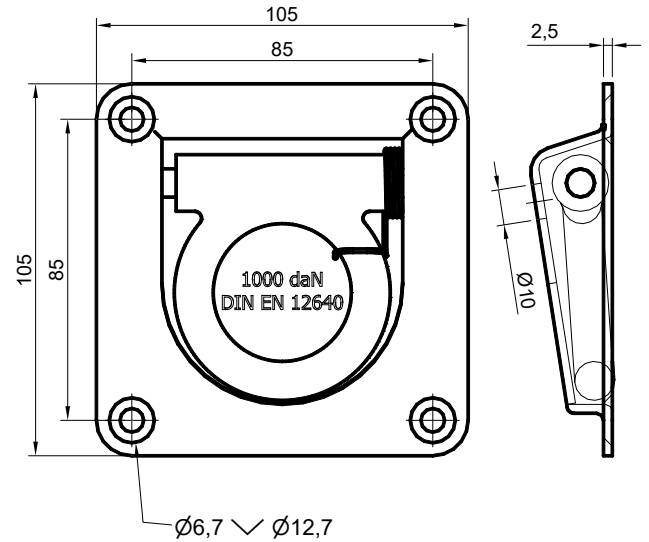


Anello fermacarico pesante incassato con molla
Heavy recessed lashing ring with spring

Art.45093110 Zincato - Zinc plated

Art.45093210 Inox - Stainless steel

0,440 kg



Capacità utile
Capacity load
1000 kg

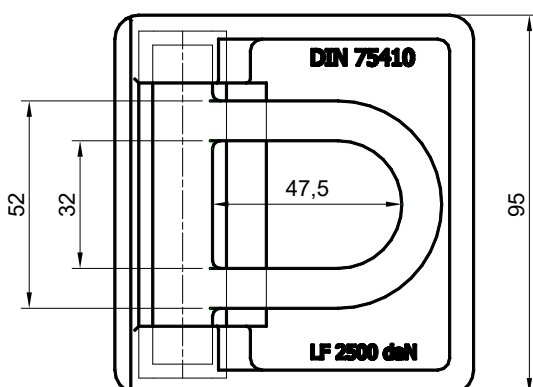
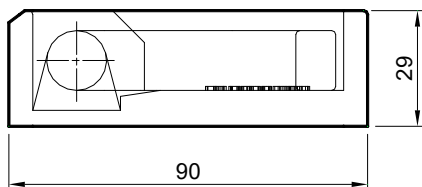
UNI EN 12640:2001 DIN 75410-1:2003
*Scheda tecnica di prova fornita a richiesta
*Test data supplied on request

Anello fermacarico incassato
Recessed lashing ring

Art.45098110 Grezzo - Raw

Art.45098210 Zincato - Zinc plated

0,900 kg



Capacità utile
Capacity load
2500 kg

UNI EN 12640:2001 DIN 75410-1:2003
*Scheda tecnica di prova fornita a richiesta
*Test data supplied on request



Anello fermacarico incassato

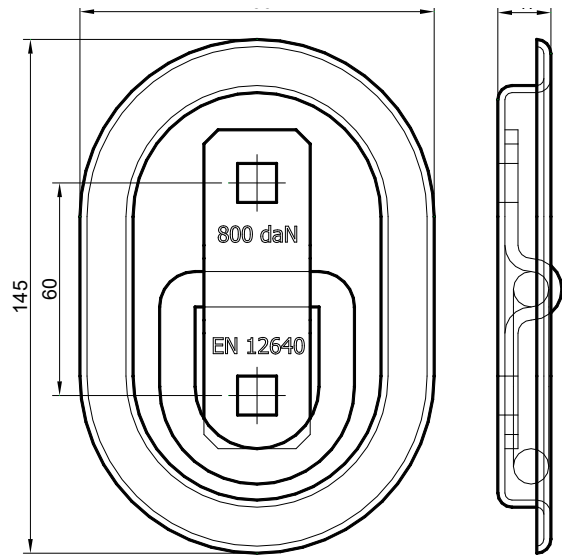
Recessed lashing ring

Art.45095310 Zincato - Zinc plated

0,460 kg



Capacità utile
Capacity load
800 kg



UNI EN 12640:2001 DIN 75410-1:2003

*Scheda tecnica di prova fornita a richiesta

*Test data supplied on request

Anello fermacarico Bigger

Bigger Lashing ring

Art.45095311 Zincato - Zinc plated

Art.45095312 Dacromet

Art.45095320 Inox - Stainless steel

0,170 kg

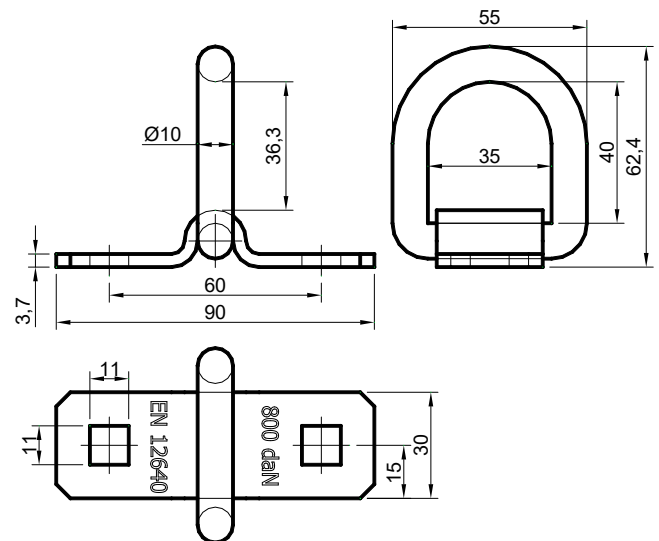


Capacità utile
Capacity load
800 kg

UNI EN 12640:2001 DIN 75410-1:2003

*Scheda tecnica di prova fornita a richiesta

*Test data supplied on request



Anello fermacarico Lesser

Lesser lashing ring

Art.45095411 Zincato - Zinc plated

Art.45095412 Dacromet

Art.45095413 Verniciato Nero - Black painted

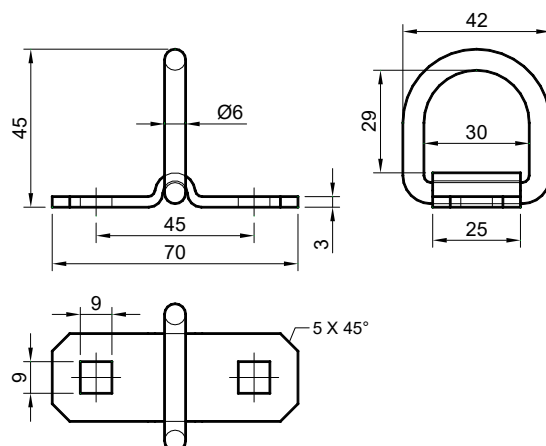


Capacità utile
Capacity load
750 kg

UNI EN 12640:2001 DIN 75410-1:2003

*Scheda tecnica di prova fornita a richiesta

*Test data supplied on request

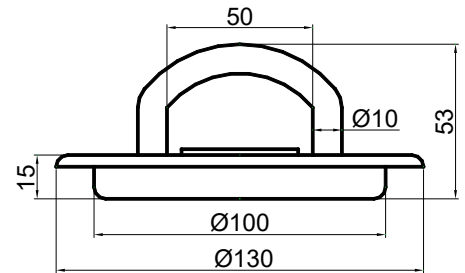




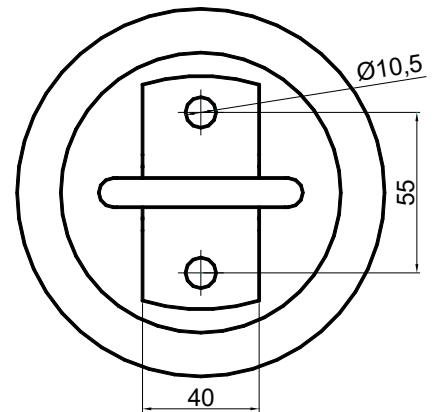
Anello fermacarico incassato zincato
Zinc plated recessed lashing ring

Art.45095510

0,380 kg



Capacità utile
Capacity load
800 kg

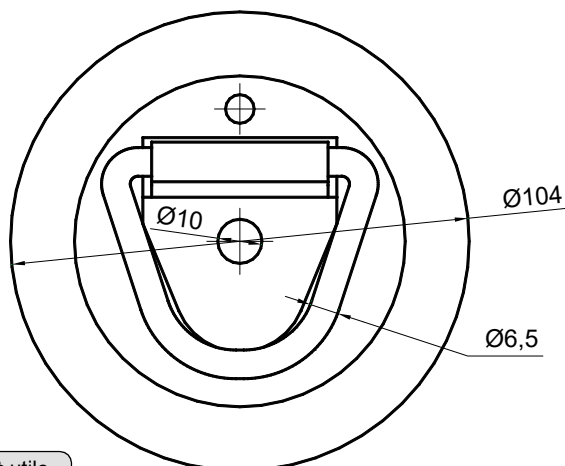
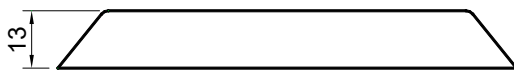


Art. 45095511

Anello fermacarico incassato zincato con base in PVC
Zinc plated recessed lashing ring with PVC base

Art. 45098510

0,100 kg



Art. 45098511

0,070 kg

Capacità utile
Capacity load
500 kg



UNI EN 12640:2019 DIN 75410-1:2003

*Scheda tecnica di prova fornita a richiesta

*Test data supplied on request



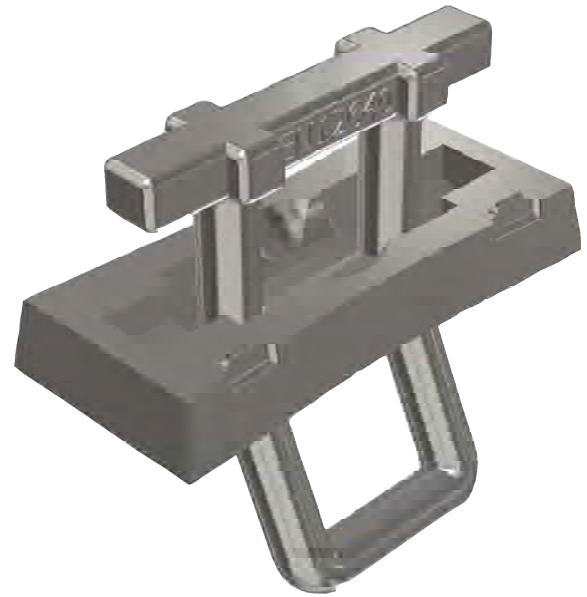
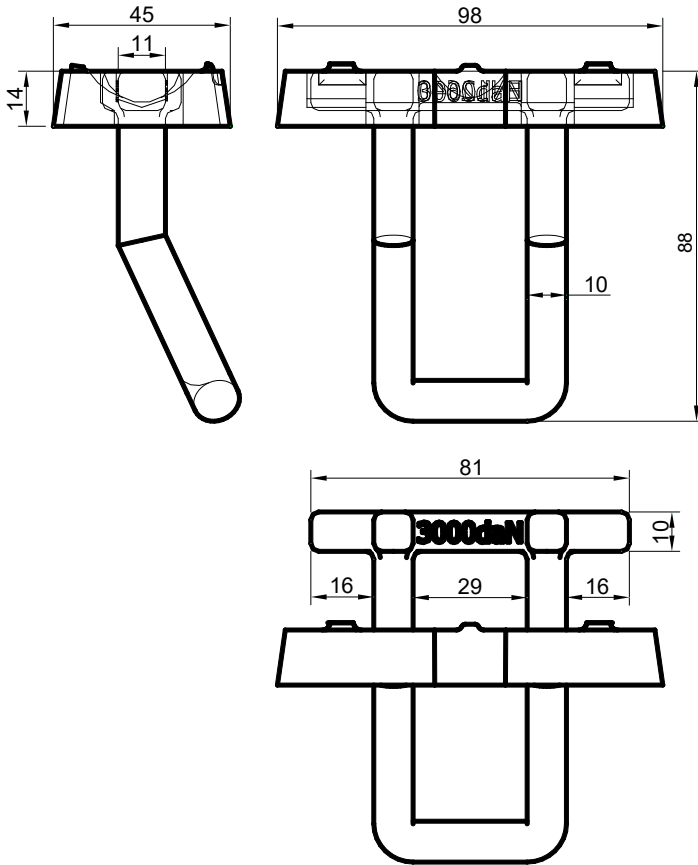
Anello fermacarico con piastra zincato
Zinc plated lashing ring

Art.45094110

0,590 kg



25 Pcs.



Capacità utile
Capacity load
3000 kg

UNI EN 12640:2001 DIN 75410-1:2003
*Scheda tecnica di prova fornita a richiesta
*Test data supplied on request

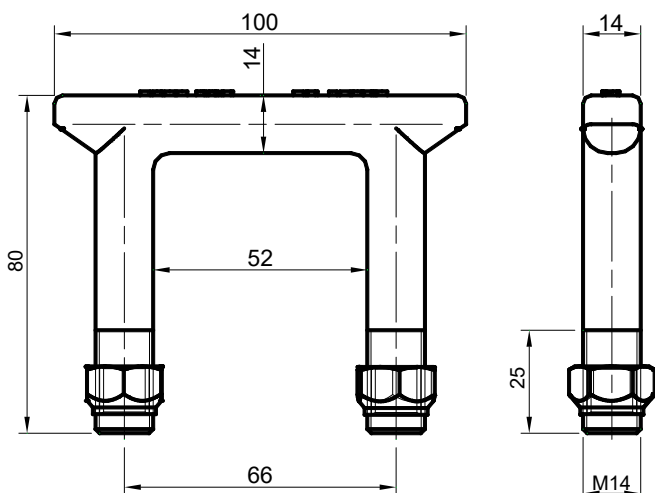
Anello fermacarico a comparsa zincato
Zinc plated recessed Lashing ring

Art.45097110

0,330 kg



40 Pcs.



Capacità utile
Capacity load
2500 kg

UNI EN 12640:2001 DIN 75410-1:2003
*Scheda tecnica di prova fornita a richiesta
*Test data supplied on request



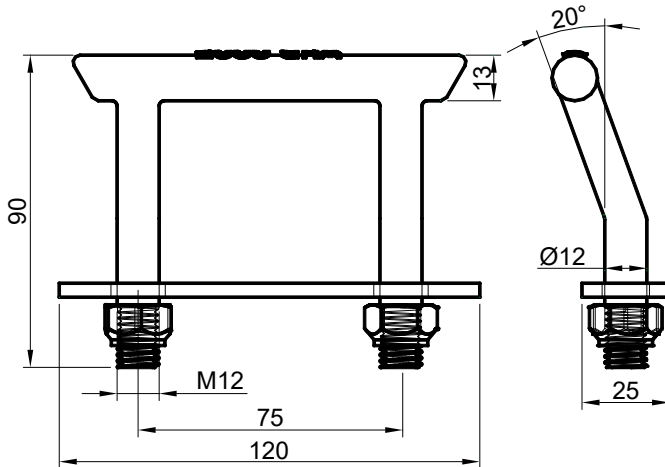
Anello fermacarico Reus zincato
Reus zinc plated lashing ring

Art.45097515

0,330 kg



50 Pcs.



Capacità utile
Capacity load
2000 kg

UNI EN 12640:2001 DIN 75410-1:2003
*Scheda tecnica di prova fornita a richiesta
*Test data supplied on request

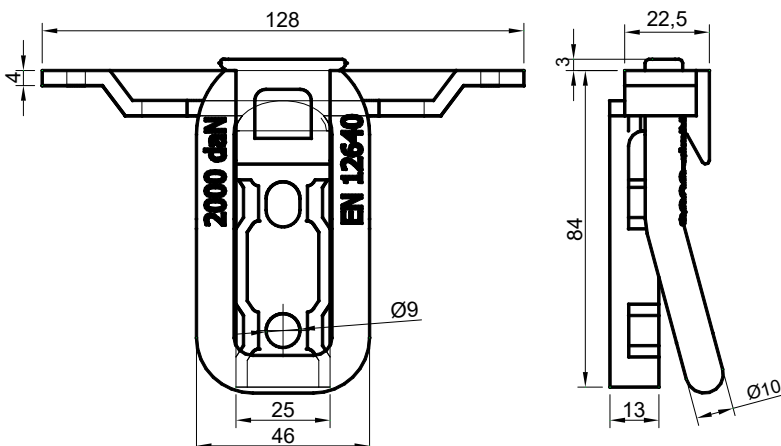
Anello fermacarico a comparsa zincato
Zinc plated recessed lashing ring

Art.45099110

0,360 kg



40 Pcs.



Capacità utile
Capacity load
2000 kg

UNI EN 12640:2001 DIN 75410-1:2003
*Scheda tecnica di prova fornita a richiest
*Test data supplied on request



KOUTSOFTA
BROS.

A&G KOUTSOFTA BROS LTD

23 Markou Drakou, Dasaki Achnas, Cyprus

koutsoftabros@cytanet.com.cy

Tel: +357 24722500

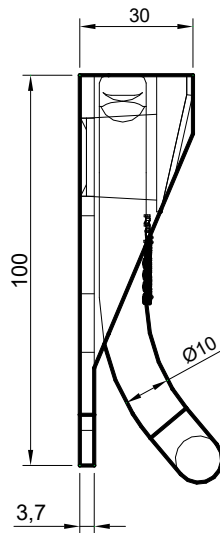
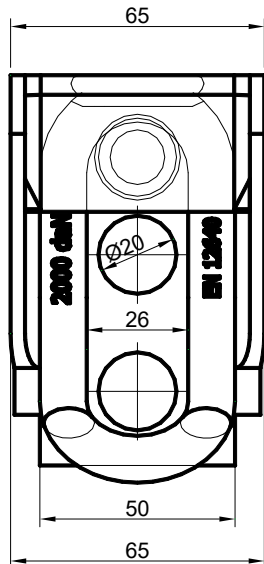
Anello fermacarico a scomparsa

Underfloor lashing ring

Art.45098315 Grezzo - Raw

Art.45098325 Verniciato nero - Black painted

0,580 kg



Capacità utile
Capacity load
2000 kg

UNI EN 12640:2001 DIN 75410-1:2003

*Scheda tecnica di prova fornita a richiesta

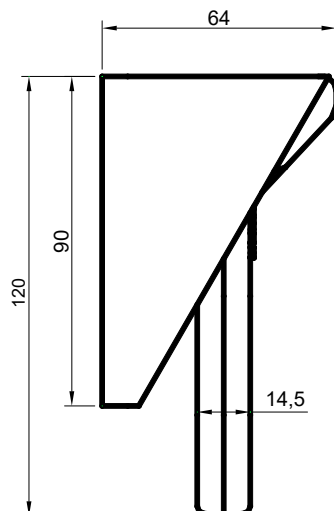
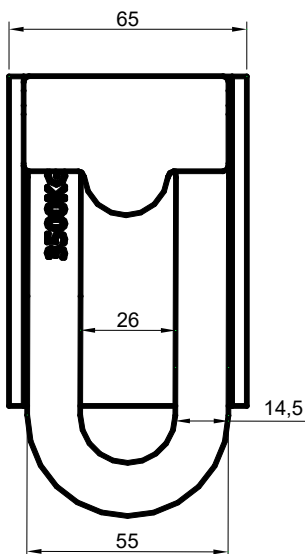
*Test data supplied on request

Anello fermacarico a scomparsa

Underfloor lashing ring

Art.45098400

1,080 kg

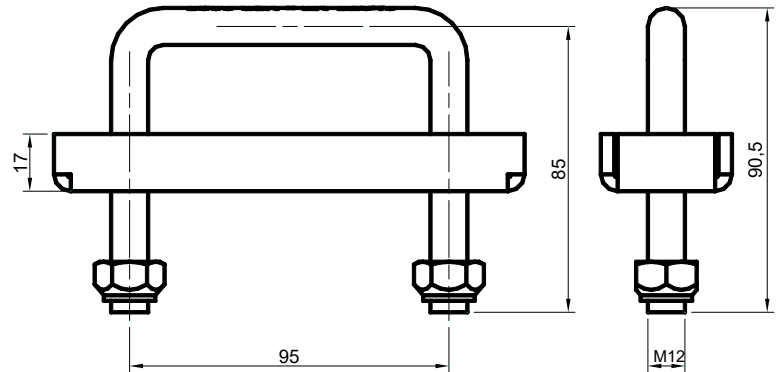


Capacità utile
Capacity load
3500 kg



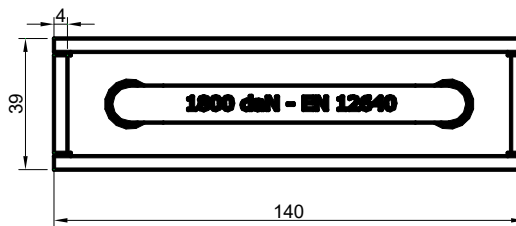
Anello fermacarico zincato con piastra **grezza**
Zinc plated recessed lashing ring with raw plate
Art.45096510

0,460 kg



Anello fermacarico zincato con piastra **zincata**
Zinc plated recessed lashing ring with zinc plate
Art.45096511

0,460 kg



Anello fermacarico zincato con dadi
Zinc plated lashing ring with nuts
Art.45096512

0,200 kg

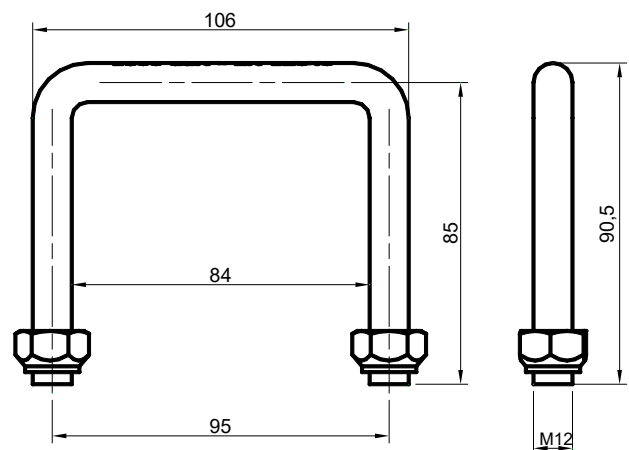


UNI EN 12640:2001 DIN 75410-1:2003

*Scheda tecnica di prova fornita a richiesta

*Test data supplied on request

Capacità utile
Capacity load
1800 kg

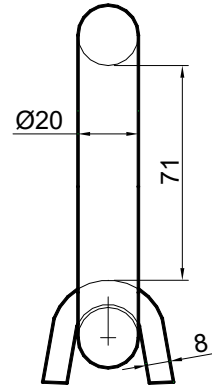
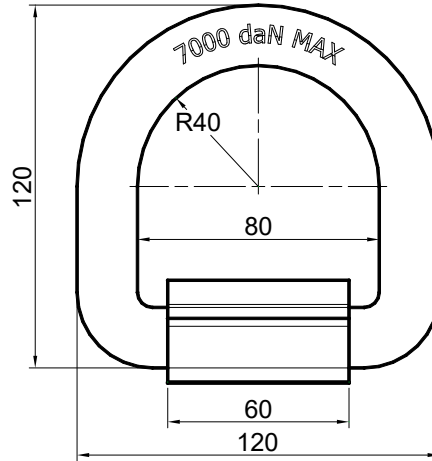




Anello di traino 7 Ton grezzo con fermo a saldare
Raw 7 Tons ring with raw support welded

Art. 45096822

1,200 Kg



UNI EN 12640:2019 DIN 75410-1:2003

EN 29367-2 : 2000

*Scheda tecnica di prova fornita a richiesta

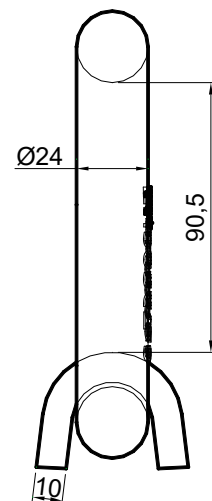
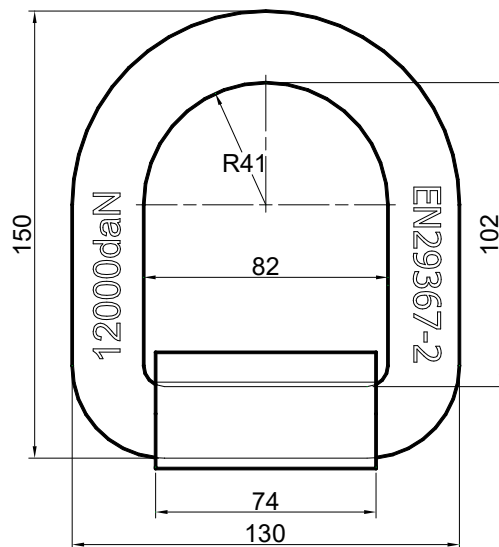
*Test data supplied on request

Capacità utile solo anello
Capacity load only ring
7000 kg

Anello di traino 12 Ton grezzo con fermo da saldare
Raw 12 Tons ring with raw support welded

Art. 45096811

2,000 Kg



EN 29367-2 : 2000

*Scheda tecnica di prova fornita a richiesta

*Test data supplied on request

Capacità utile solo anello
Capacity load only ring
12000 kg

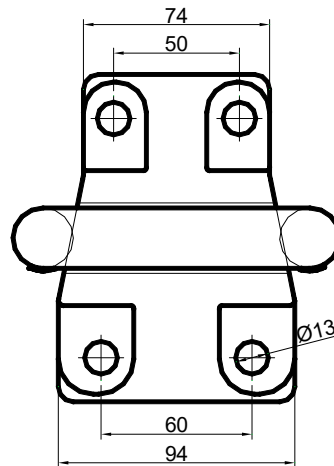
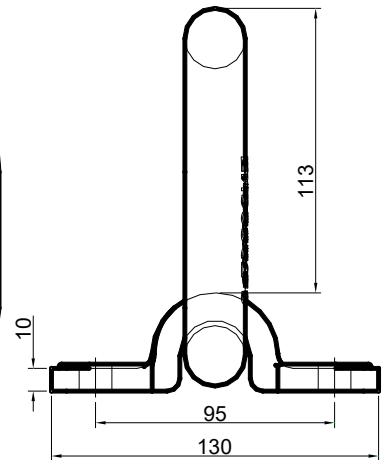
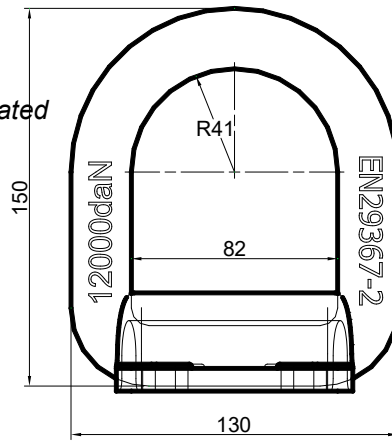


Anello di traino 12 Ton con piastra
12 Tons ring with support

Art. 45096831 Zincato - Zinc plated

Art. 45096831/HG Zincato a caldo - Hot Zinc plated

2,600 Kg



Capacità utile
Capacity load
12000 kg

EN 29367-2 : 2000

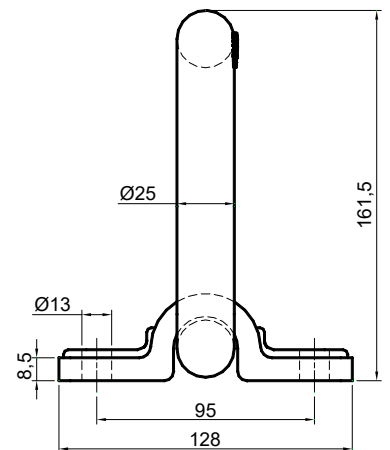
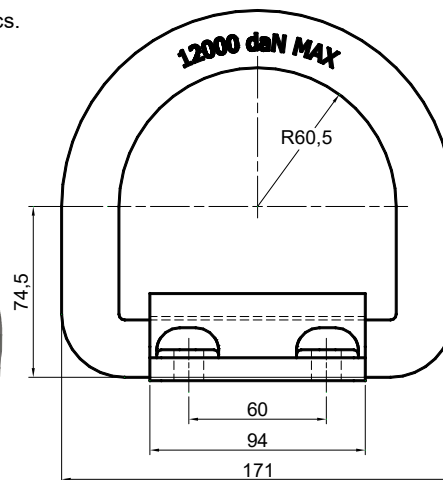
*Scheda tecnica di prova fornita a richiesta

*Test data supplied on request

Anello di traino 12 Ton zincato con piastra zincata
Zinc plated 12 Tons ring with galv. support

Art. 45096832

2,900 Kg



EN 29367-2 : 2000

*Scheda tecnica di prova fornita a richiesta

*Test data supplied on request

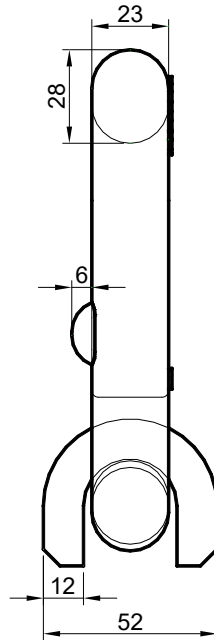
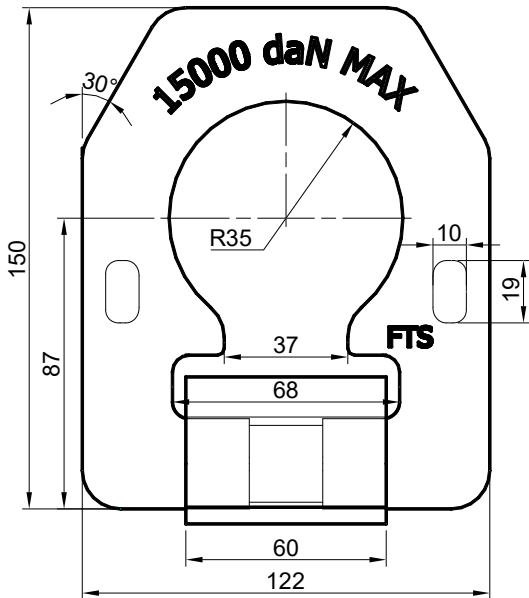
Capacità utile
Capacity load
12000 kg



Anello di traino 15 Ton grezzo con fermo grezzo saldare
Raw 15 Tons ring with raw support welded

Art. 45096838

2,400 Kg



Capacità utile solo anello
Capacity load only ring
15000 kg

EN 29367-2 : 2000

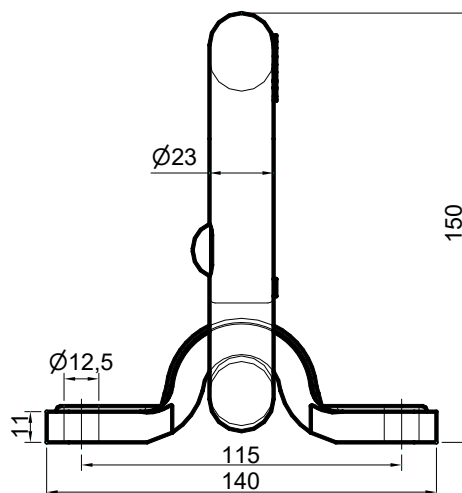
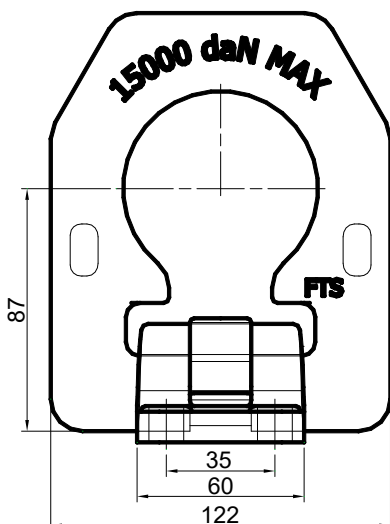
*Scheda tecnica di prova fornita a richiesta

*Test data supplied on request

Anello di traino 15 Ton zincato con piastra
Zinc plated 15 Tons ring with plate support

Art. 45096839

2,600 Kg



EN 29367-2 : 2000

*Scheda tecnica di prova fornita a richiesta

*Test data supplied on request

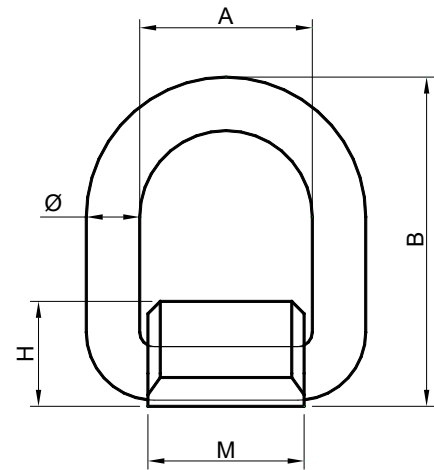


Anello fermacarico RED
RED lashing ring



UNI EN 12640:2001 DIN 75410-1:2003
*Scheda tecnica di prova fornita a richiesta
*Test data supplied on request

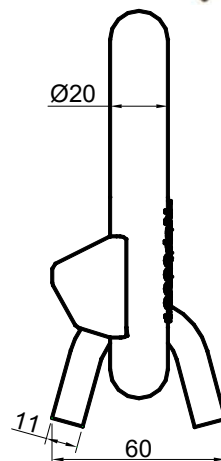
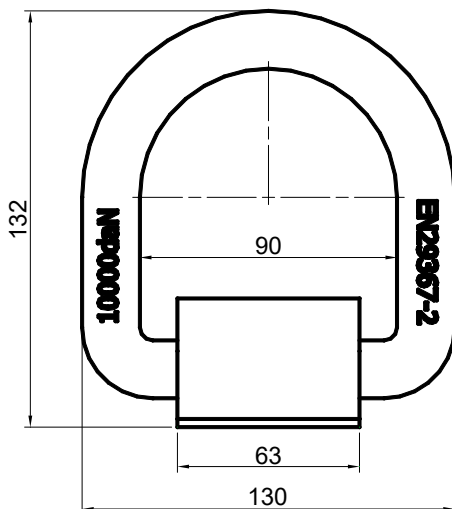
Articolo Article	Portata Load	Ø	A	B	M	H	kg	
45050310	1 T	13	41	78.5	37	35	0,4	40
45051310	2 T	14	42	88	40	37	0,47	40
45052310	3 T	17	45	94	42.5	40	0,69	30
45053310	5 T	22	55	118	50	52	1,46	18
45054310	8 T	26.5	70	141	65	57	2,5	12
45055310	10 T	28	85	165	78	66	3,2	10
45056310	15 T	34	97	188	90	77	5,79	4
45057310	20 T	46	150	250	130	98	15,5	2



Anello di traino 10 Ton giallo con fermo grezzo saldare
Yellow 10 Tons ring with raw support welded

Art. 45096815

1,675 Kg



EN 29367-2 : 2000

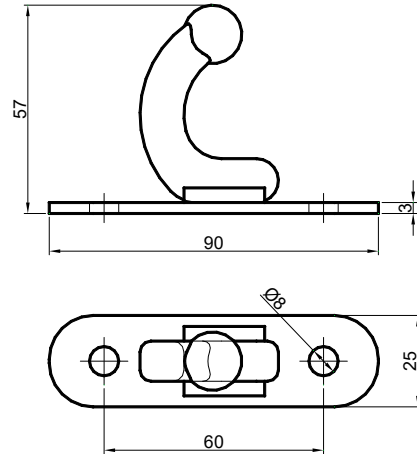
*Scheda tecnica di prova fornita a richiesta
*Test data supplied on request



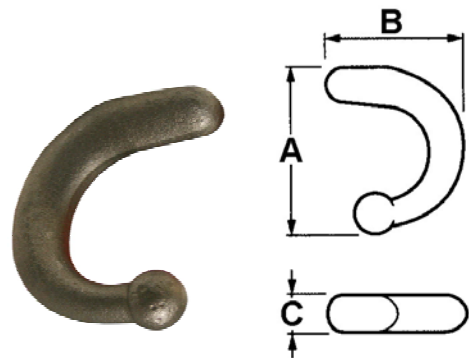
Tendifune Leggero zincato su piastra
Zinc Plated rope guide on the plate

Art.45100110

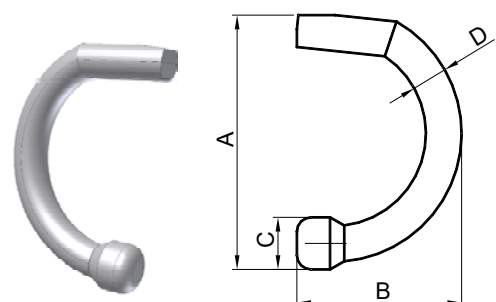
0,110 Kg



Tendifune Forgiato Forgin rope guide						
Articolo Article	Descrizione Description	A	B	C	kg	
45100100	Leggero grezzo Raw Light	53	40	11	0,055	400
45100500	Leggero inox Stainless steel Light	53	40	11	0,055	200
45102100	Pesante grezzo Raw Heavy	61	50	14	0,110	200
45103100	Pesantissimo grezzo Raw Strong	73	70	17	0,230	80



Tendifune Ribattuto Round rope guide							
Articolo Article	Descrizione Description	A	B	C	D	kg	
45100200	Leggero grezzo Raw Light	52	39	11	8	0,030	500
45100300	Pesante grezzo Raw Heavy	65	45	14	10	0,040	500
45100400	Pesantissimo grezzo Raw Strong	93	55	18	13	0,060	200



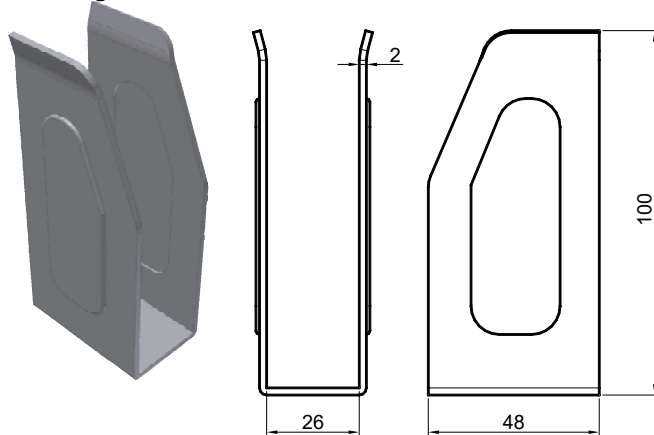


Supporto asta centina grezza L.25

Raw steel pocket L.25

Art. 45150100

0,160 Kg

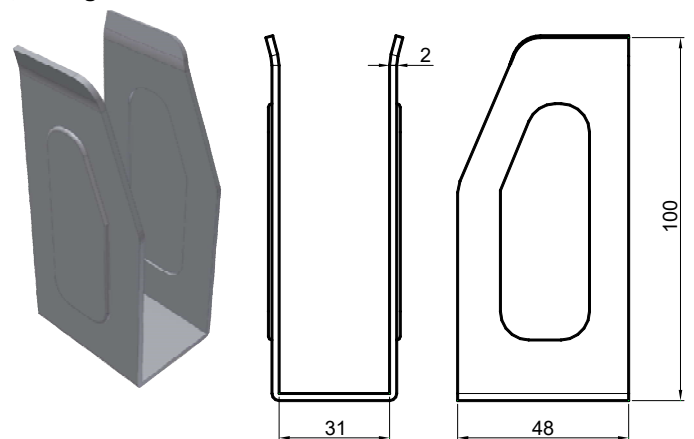


Supporto asta centina grezza L.30

Raw steel pocket L.30

Art. 45152100

0,165 Kg

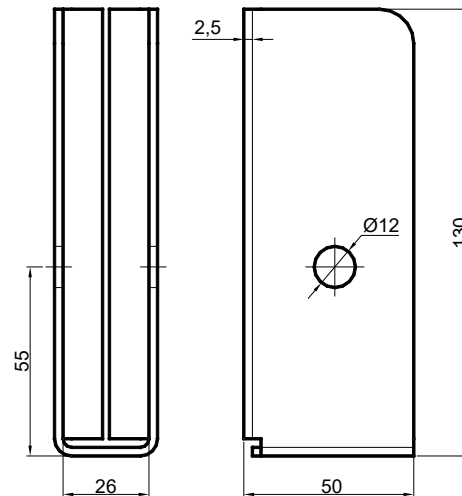


Supporto asta centina zincata L.25

L.25 zinc plated steel pocket

Art. 45104130

0,315 Kg

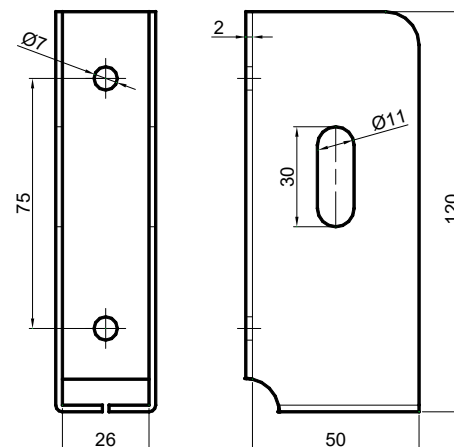


Supporto asta centina zincata L.25 con fori

L.25 with holes zinc plated steel pocket

Art. 45104135

0,230 Kg

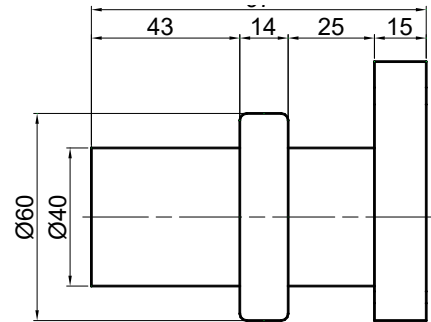
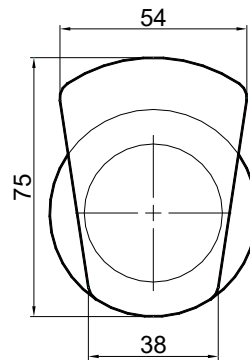
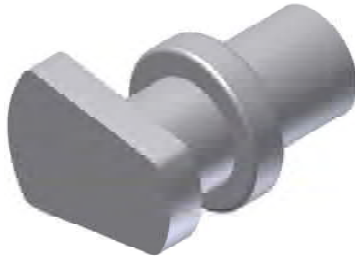




Avvolgicavo "Tourillon"
Drop-Forged steel link pin

Art. 45703100

1,365 Kg

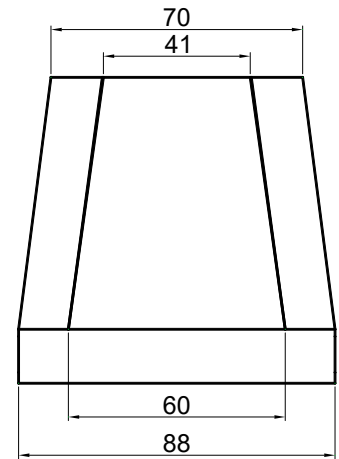
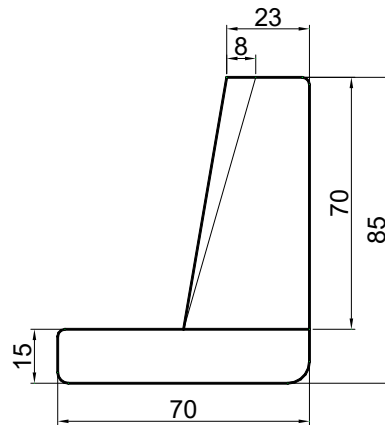


Guida per cassoni scarrabili

Drop-Forged steel tipper thrust block

Art. 45753100

1,700 Kg

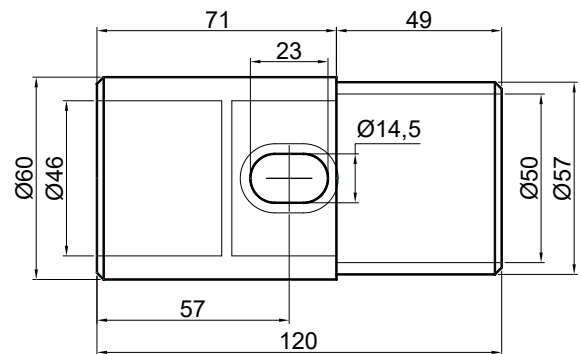


Supporto tubo centina PVC Ø60

Roof member bracket for tube Ø60

Art. 50154285

0,100 kg



Base L=120 per supporto tubo centina

L=120 Base bracket tube

Art. 50154290

0,300 kg

* Solo su ordinazione

* Only by order



Base L=200 per supporto tubo centina

L=200 Base bracket for tube

Art. 50154295

0,530 kg

* Solo su ordinazione

* Only by order

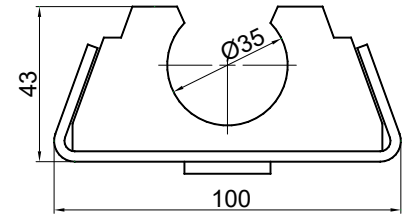




Supporto tubo centina PVC Ø35
Bracket hoop for pipe Ø35

Art. 45155100

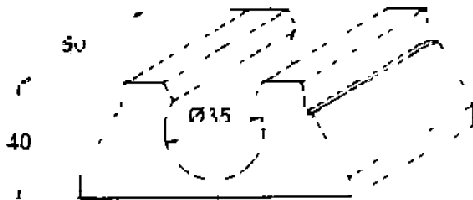
0,300 kg



Solo gomma
Only rubber

Art. 45155101

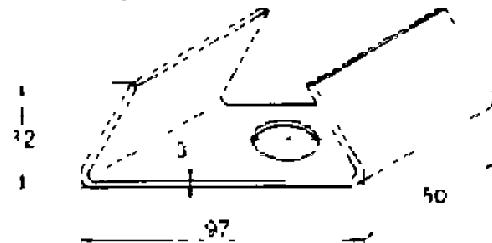
0,140 kg



Solo piastrina
Only plate

Art. 45155102

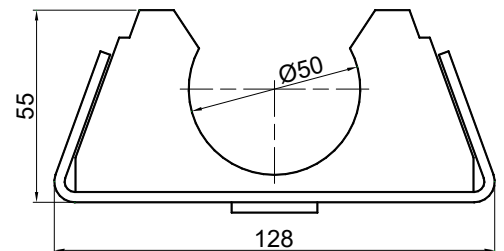
0,160 kg



Supporto tubo centina PVC Ø50
Bracket hoop for pipe Ø50

Art. 45151100

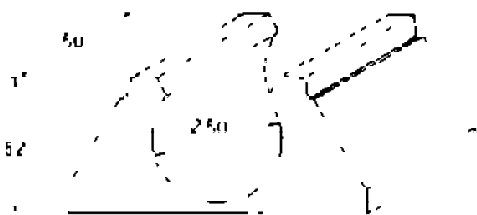
0,420 kg



Solo gomma
Only rubber

Art. 45151101

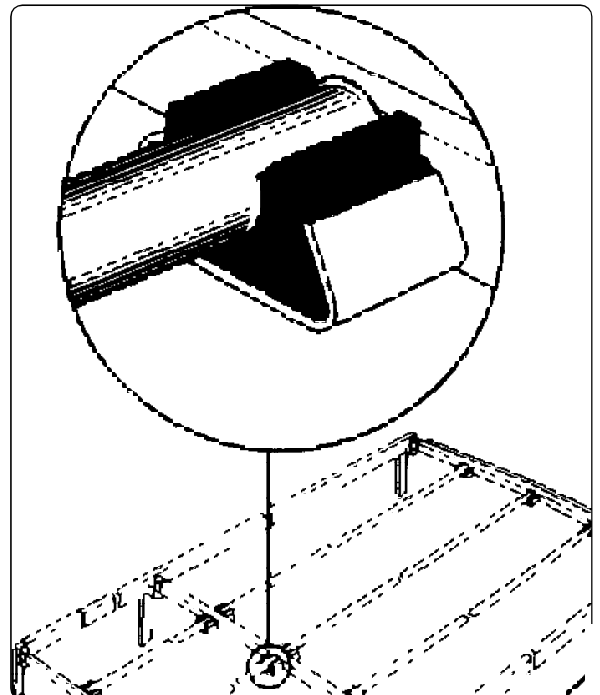
0,215 kg



Solo piastrina
Only plate

Art. 45151102

0,205 kg

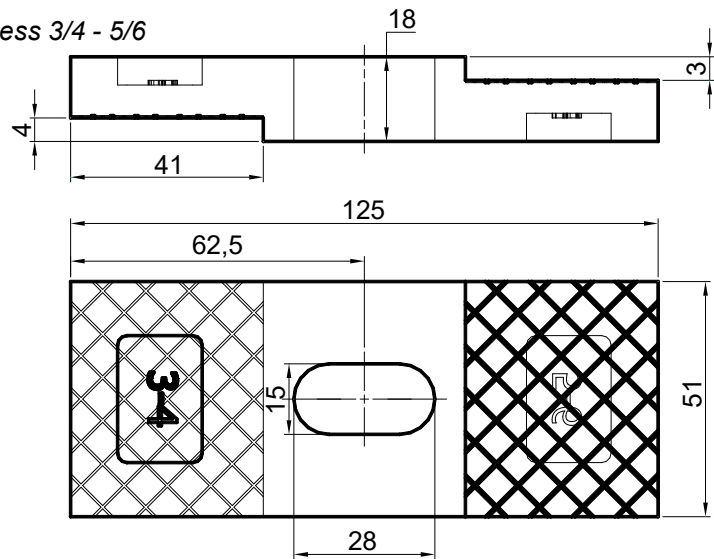




Supporto fissaggio chassis zincato spessori 3/4 - 5/6
Zinc plated body clamp drop-forged steel chassis thickness 3/4 - 5/6

Art. 45191110

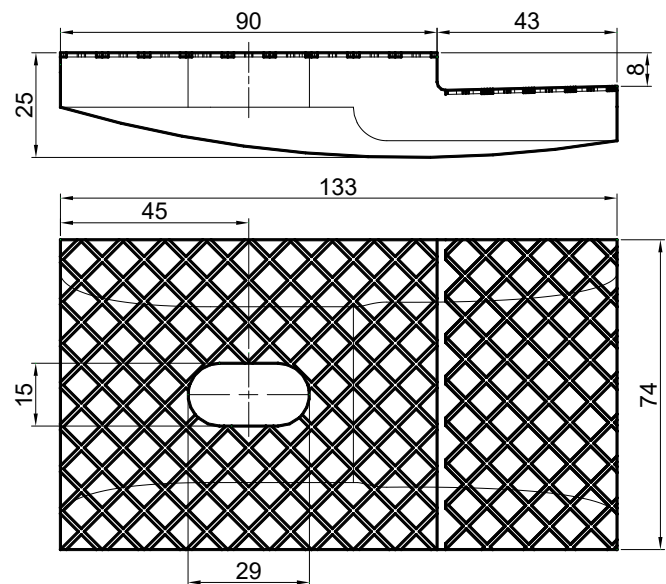
0,660 kg



Supporto fissaggio chassis zincato
Zinc plated body clamp drop-forged steel

Art. 45190110

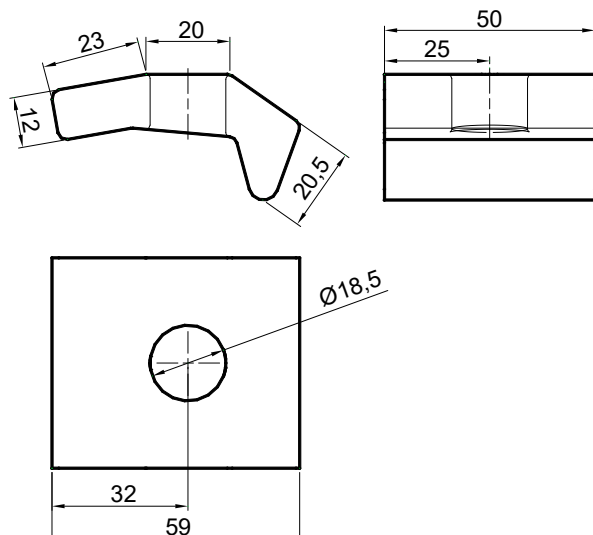
1,200 kg



Supporto fissaggio zincato a caldo
Hot zinc plated body clamp drop

Art. 45290110

0,280 kg

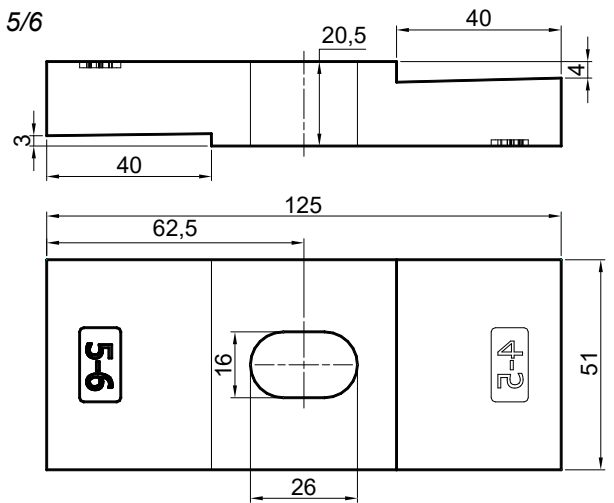




Supporto fissaggio chassis zincato spessori 4/5 - 5/6
Zinc plated body clamp drop-forged steel-chassis thickness 4/5 - 5/6

Art. 45287110

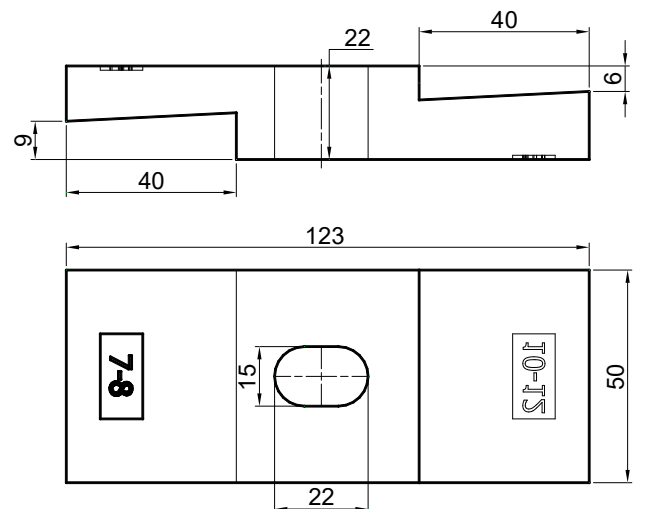
0,820 kg



Supporto fissaggio chassis zincato spessori 7/8 - 10/12
Zinc plated body clamp drop-forged steel-chassis thickness 7/8 - 10/12

Art. 45292110

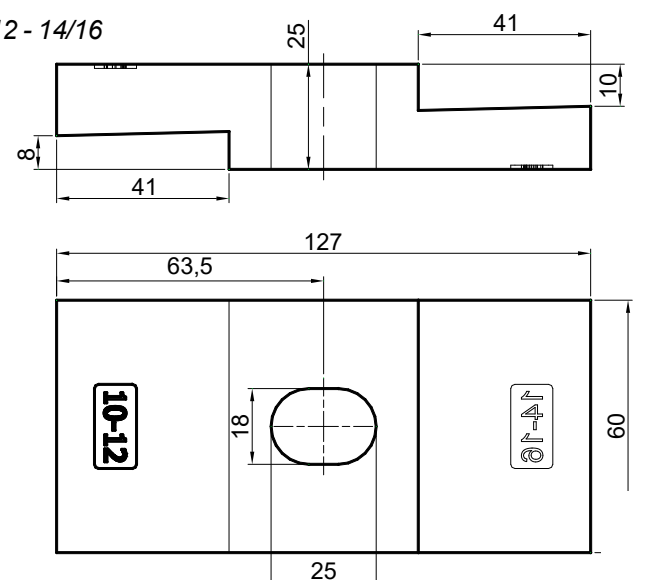
0,700 kg



Supporto fissaggio chassis zincato spessori 10/12 - 14/16
Zinc plated body clamp drop-forged steel-chassis thickness 10/12 - 14/16

Art. 45187110

1,090 kg

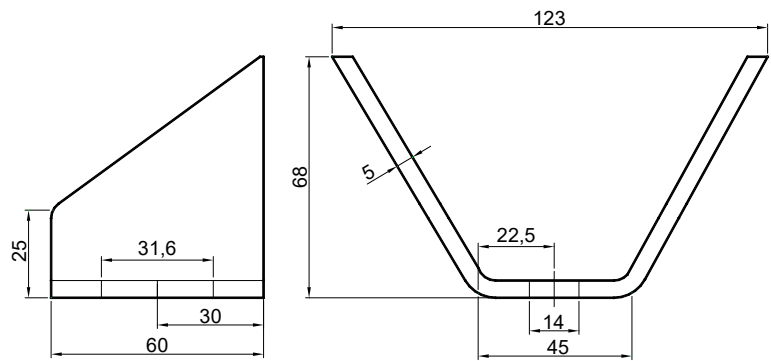




Supporto falso di telaio grezzo
Raw body mounting brackets

Art. 45388100

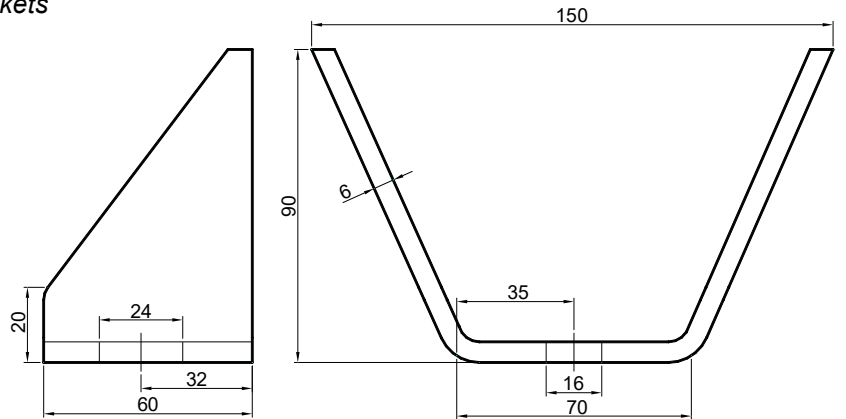
0,300 kg



Supporto falso di telaio pesante grezzo
Raw heavy body mounting brackets

Art. 45399100

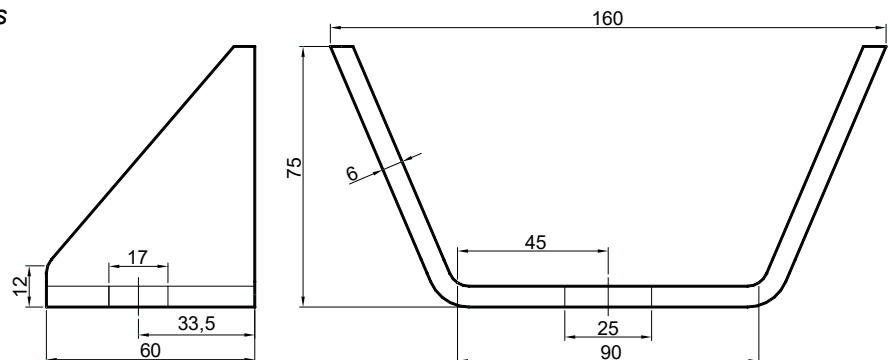
0,500 kg



Supporto falso di telaio grezzo
Raw body mounting brackets

Art. 45400100

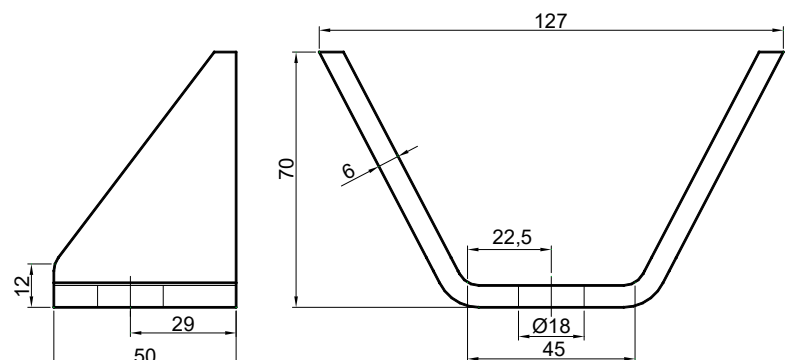
0,480 kg



Supporto falso di telaio grezzo
Raw body mounting brackets

Art. 45401100

0,340 kg



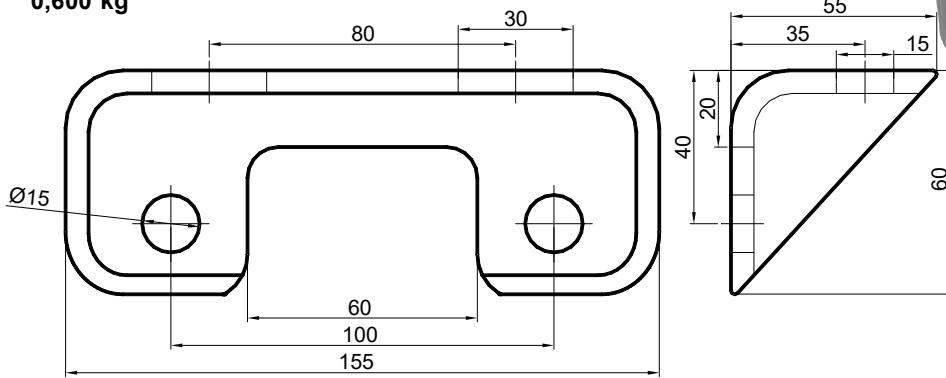


Supporto falso telaio M.A.N.
M.A.N. body mounted bracket

Art. 45186100 Grezzo - Raw

Art. 45189100 Zincato - Zinc plated

0,600 kg

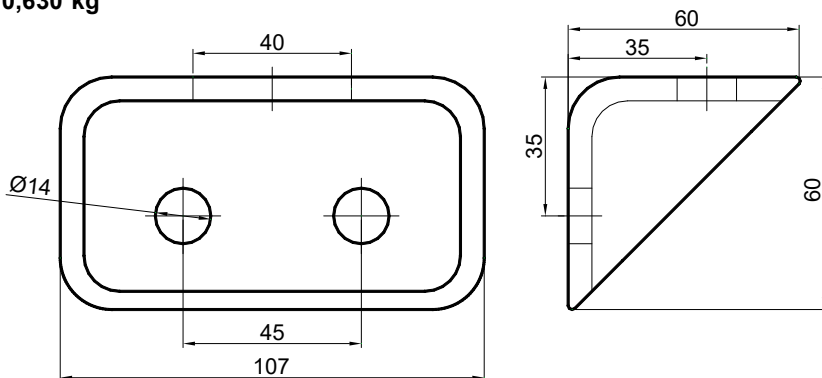


Supporto falso telaio EURO CARGO
EURO CARGO body mounted bracket

Art. 45164100 Grezzo - Raw

Art. 45165110 Zincato - Zinc plated

0,630 kg

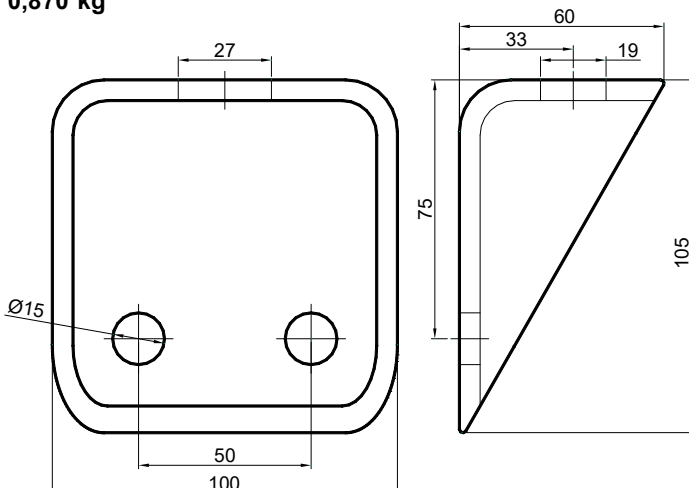


Supporto falso telaio ACTROS
ACTROS body mounted bracket

Art. 45178100 Grezzo - Raw

Art. 45178110 Zincato - Zinc plated

0,870 kg





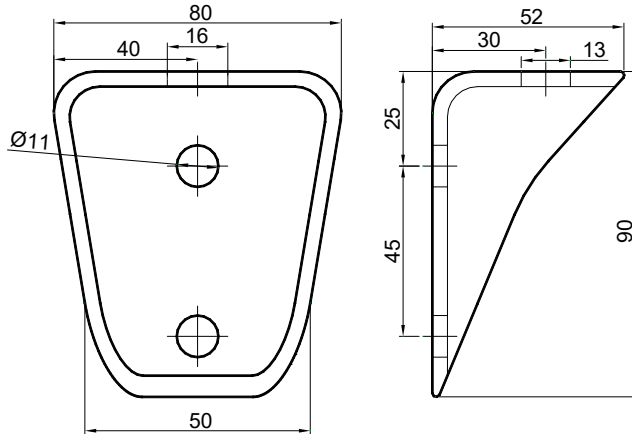
Supporto falso telaio leggero DAILY

Light body mounted bracket

Art. 45166100 Grezzo - Raw

Art. 45163100 Zincato - Zinc plated

0,345 kg



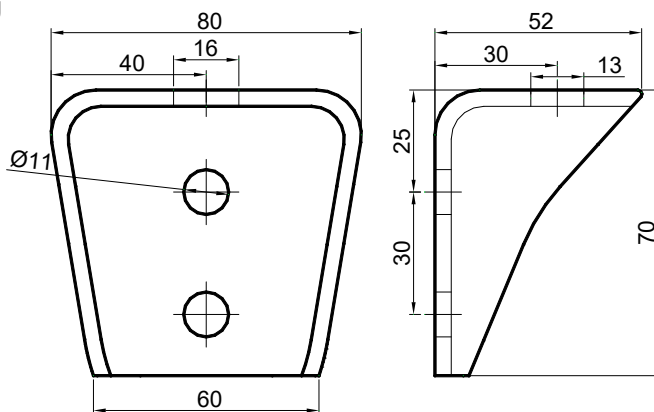
Supporto falso telaio leggero

Light body mounted bracket

Art. 45166200 Grezzo - Raw

Art. 45163200 Zincato - Zinc plated

0,300 kg



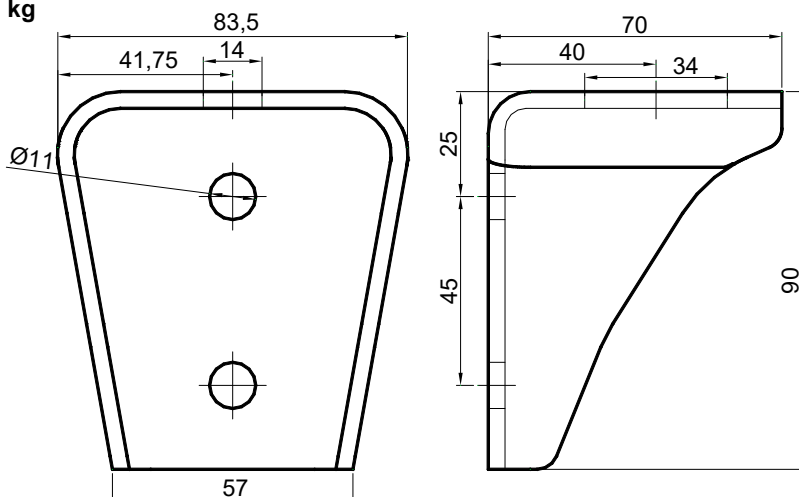
Supporto falso telaio

Body mounted bracket

Art. 45163350 Grezzo - Raw

Art. 45163300 Zincato - Zinc plated

0,420 kg



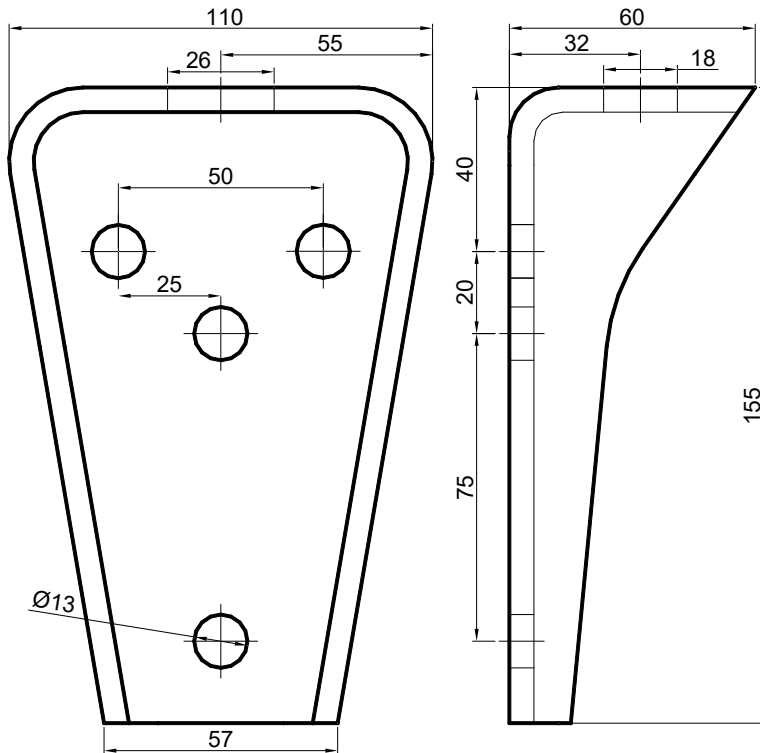


Supporto falso telaio pesante
Heavy body mounted bracket

Art. 45170100 - Grezzo - Raw

Art. 45181100 - Zincato - Zinc plated

0,970 kg

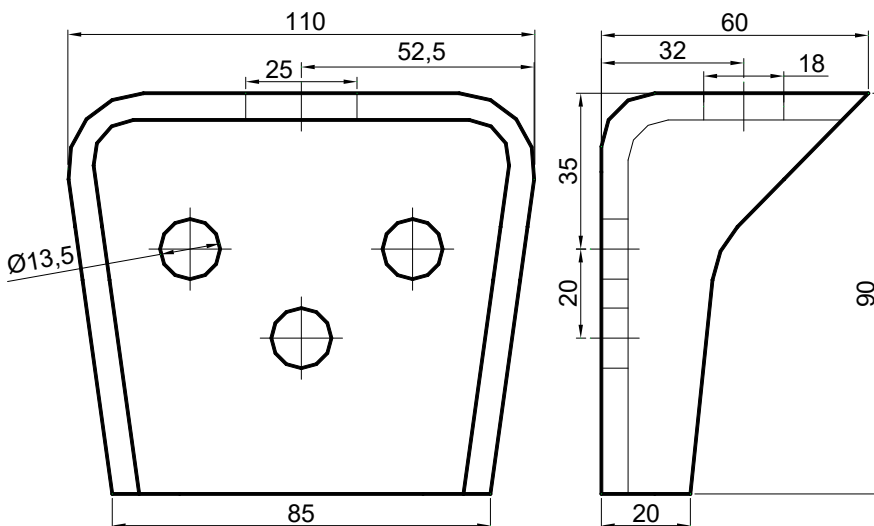


Supporto falso telaio pesante
Heavy body mounted bracket

Art. 45172100 Grezzo - Raw

Art. 45172110 Zincato - Zinc plated

0,720 kg

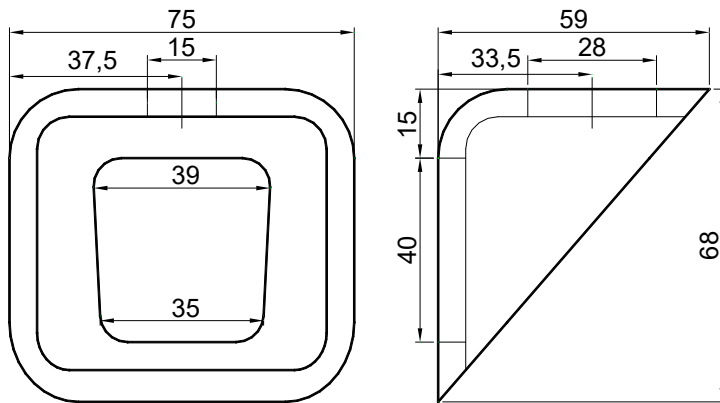




Supporto falso telaio grezzo tipo FRANCIA
FRANCE type raw body mounted bracket

Art. 45167100

0,370 kg

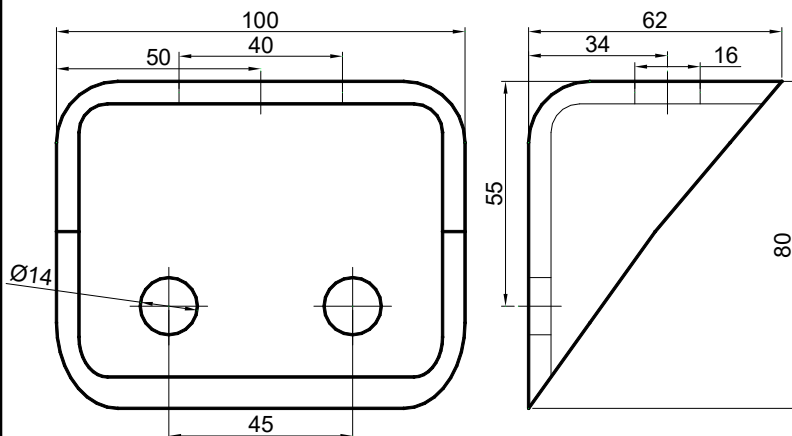


Supporto falso telaio
Body mounted bracket

Art. 45169100 Grezzo - Raw

Art. 45177100 Zincato - Zinc plated

0,580 kg



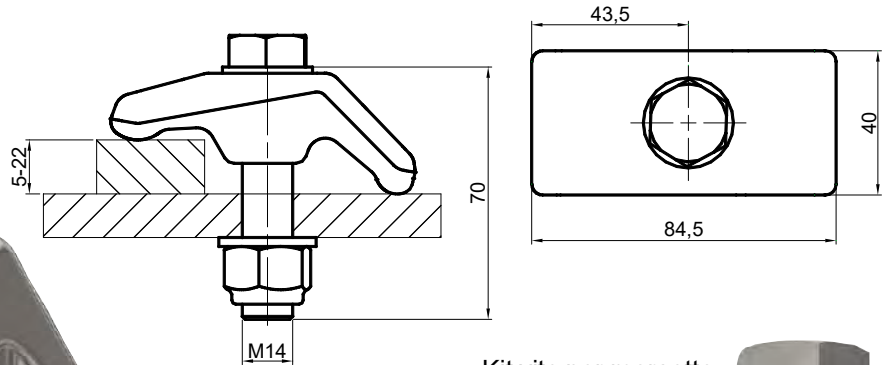


Morsetto di fissaggio zincato

Clamp for accessory fixing

Art. 45300110

0,345 kg



Kit vite per morsetto

Kit screw for clamp

Art. 45305110

0,100 kg

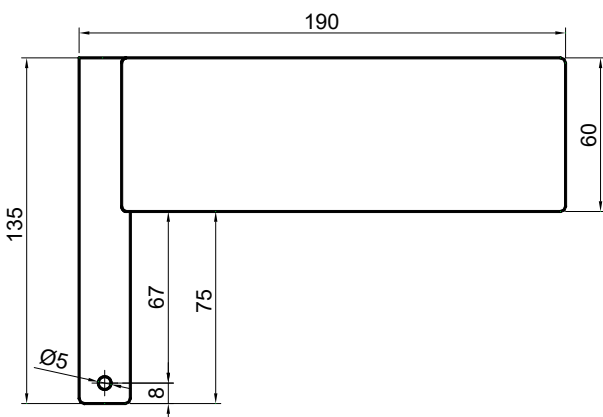
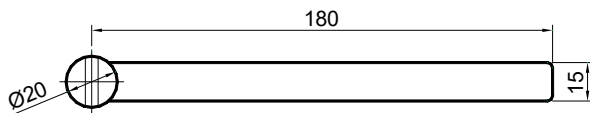


Perno a bandiera grezzo

Raw pin to flag

Art. 45905250

1,550 kg



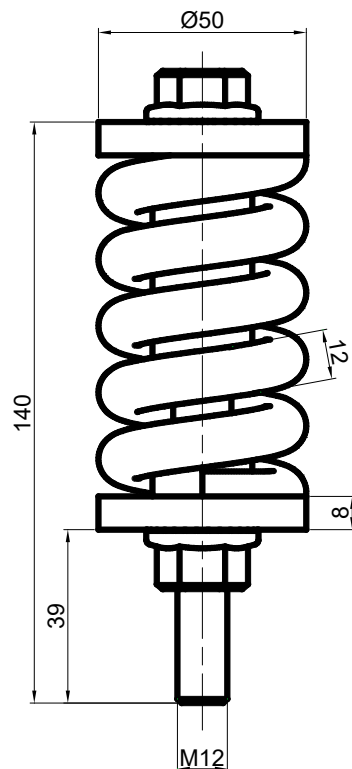


Sistema di fissaggio elastico M12x140

Elastic fixing system M12x140

Art. 25800100

1,080 kg

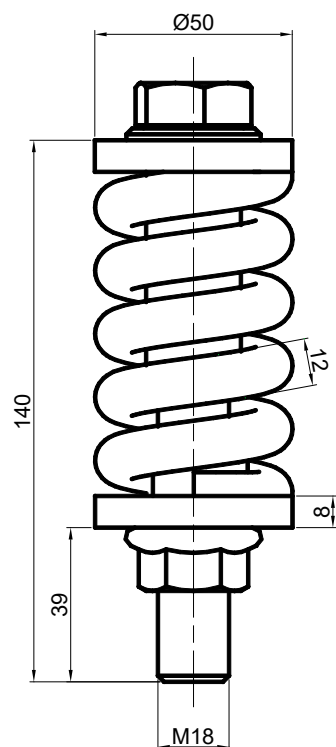


Sistema di fissaggio elastico pesante M18x140

Heavy elastic fixing system M18x140

Art. 25850100

1,250 kg





KOUTSOFTA
BROS.

A&G KOUTSOFTA BROS LTD

23 Markou Drakou, Dasaki Achnas, Cyprus

koutsoftabros@cytanet.com.cy

Tel: +357 24722500

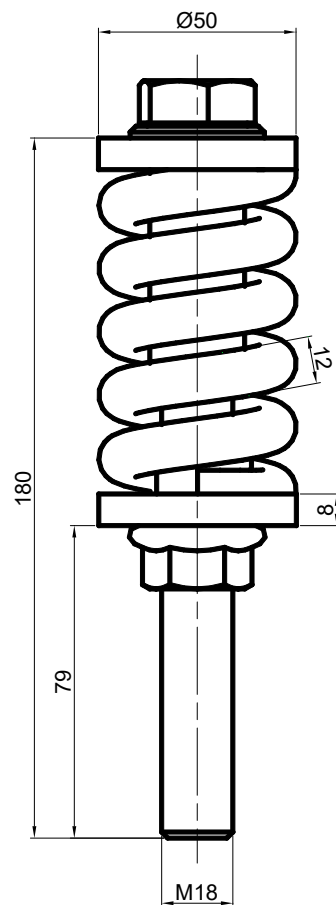
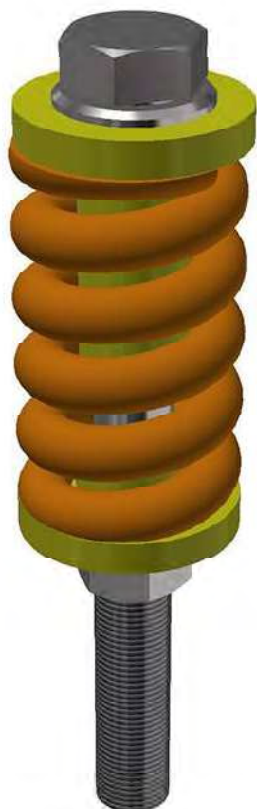
Sistema di fissaggio elastico pesante M18x180

Heavy elastic fixing system M18x180

Art. 25860100

1,260 kg

20 Pcs.

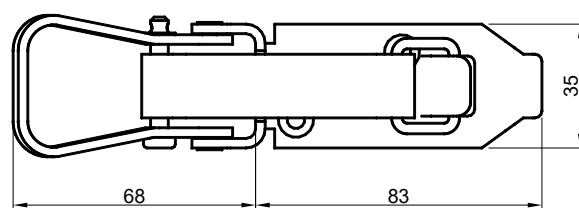
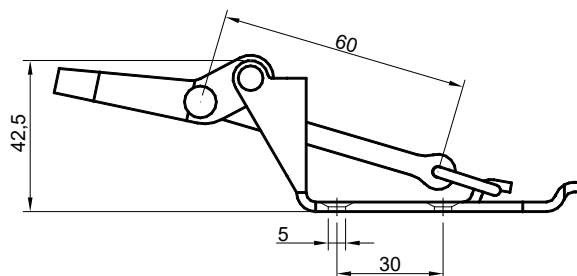




Supporto porta utensili da Ø28 a Ø40 mm modello piccolo zincato
Zinc plated stopper shovel from Ø28 to Ø40 mm small type

Art. 45070110

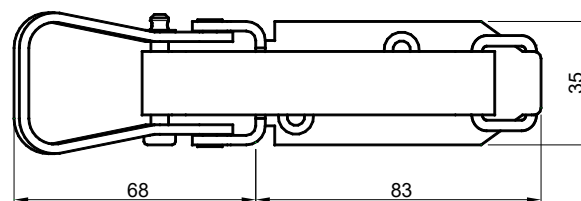
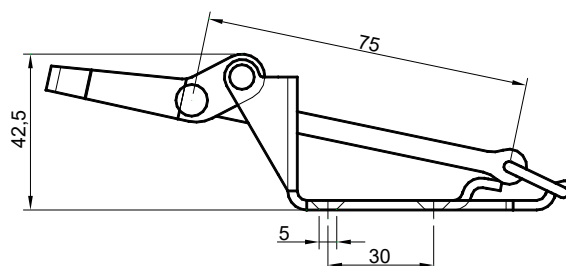
0,145 kg



Supporto porta utensili da Ø40 a Ø60 mm modello grande zincato
Zinc plated stopper shovel from Ø40 to Ø60 mm big type

Art. 45080110

0,150 kg





- Porta ruota
- Pedane salita / scalette
- Barre telescopiche fermacarico
- Lamiere a nido d'ape
- Barre estensibili porta abito
- Profili fermacarico
- Twist lock
- Traversa
- Blocchi ad angolo CNT

- *Side fastening wheel carrier's*
- *Folding step*
- *Telescopic lashing bars*
- *Garments sheets*
- *Garments shoring bars*
- *Universal track bars*
- *Twist lock*
- *Crosspiece*
- *Casting corner CNT*

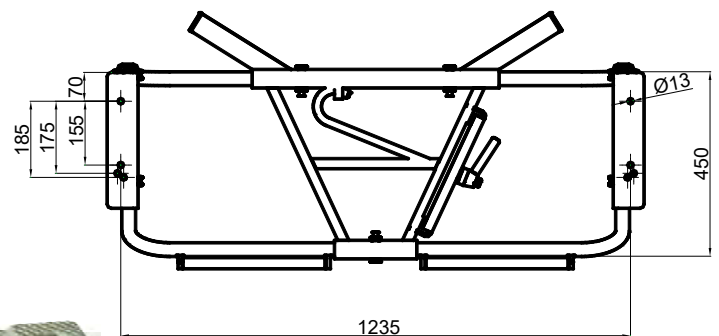
10



Porta ruota zincato a caldo per pneumatico 385/65 R22,5
Hot Zinc plated wheel carrier for pneumatic 385/65 R22,5

Art.50102900

30,300 kg



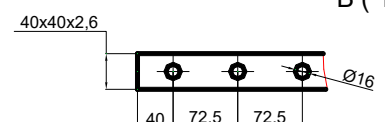
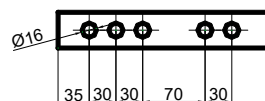
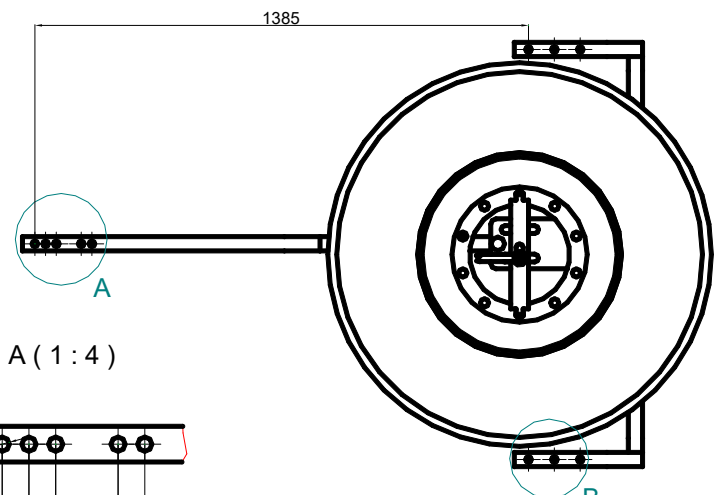
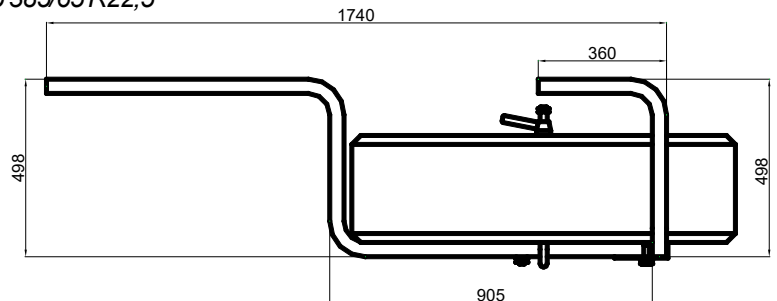
Per il montaggio si consiglia l'utilizzo di 4 pezzi art. 45190110
For assembly we recommend to use 4 pieces of item 45190110
Pagina / Page 9-16



Porta ruota a cestello light zincato AT600 per pneumatico 385/65 R22,5
AT600 zinc plated Light wheel carrier for pneumatic to 385/65 R22,5

Art.50104900

19,500 kg

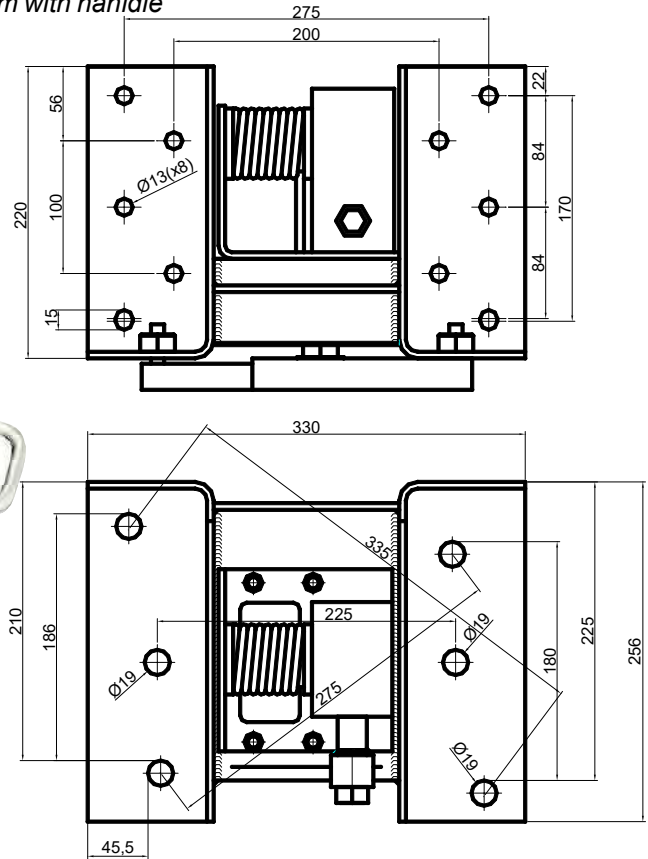




Porta ruota laterale per mozzi di 225 - 275 - 335 mm completo di maniglia
Side fastening wheel carrier with wheelbase 225 - 275 - 335 mm with handle

Art.50120103

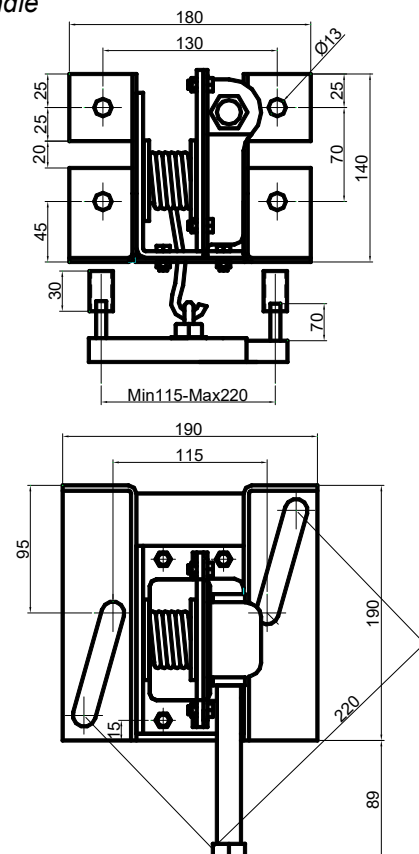
12,000 kg



Porta ruota laterale per mozzi con interasse da 115 a 220 mm completo di maniglia
Side fastening wheel carrier with wheelbase from 115 - 220 mm with handle

Art.50121104

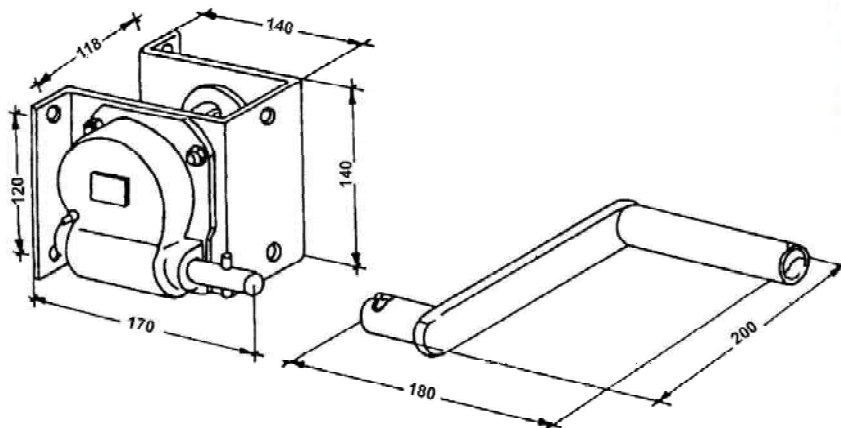
6,000 kg



Verricello con riduttore
 Winch with reduction gear

Art. 15330232

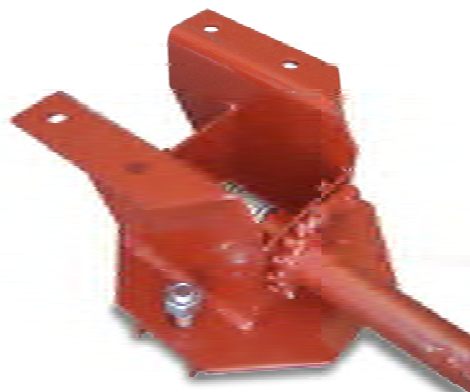
4,500 kg


 Portaruota laterale
 Side fastening wheel carrier

Codice Code	Descrizione Description	Veicolo Vehicle	Interasse mm Wheelbase mm	Peso kg Weight kg
50100100	Cerchio 6 fori Rim 6 holes	Iveco Daily Ford Transit	170	6
50101100	Cerchio 6 fori Rim 6 holes		205	6,5
50102100	Cerchio 15" - 10 fori Rim 15" - 10 holes		225	13
50104100	Cerchio 8 fori Rim 8 holes	Fiat 80-100 Mercedes	275	12
50106100	Cerchio 20" - 6 fori Rim 20" - 6 holes	Iveco Daily Ford Transit	245	7,5
50110100	Cerchio 10 fori Rim 10 holes	Fiat 190 Mercedes Scania	335	14
50112100	Cerchio 20" Trilex Rim 20" Trilex			15


 Portaruota sottotelaio
 Under chassis fastening wheel carrier

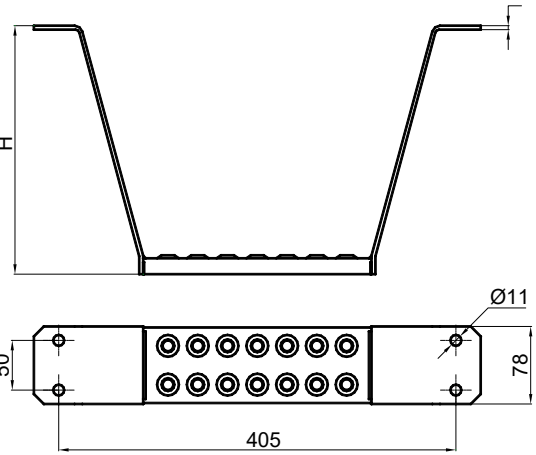
Codice Code	Descrizione Description	Veicolo Vehicle	Interasse mm Wheelbase mm	Peso kg Weight kg
50107100	Cerchio 15" - 10 fori Rim 15" - 10 holes	Fiat 8-100 Mercedes	275	13
50111100	Cerchio 20" - 10 fori Rim 20" - 10 holes	Fiat 190 Scania	335	14
50116100	Cerchio 20" - 6 fori Rim 20" - 6 holes	Iveco Daily Ford Transit	170	6





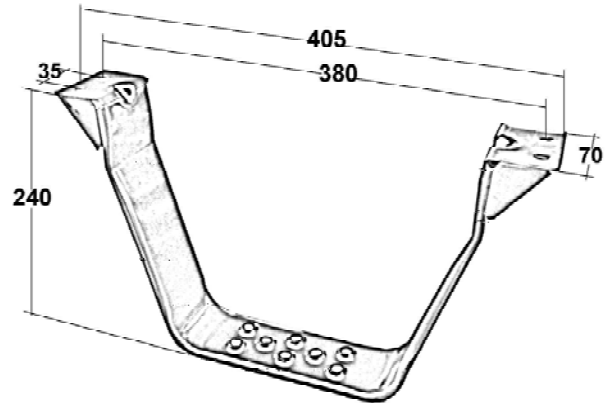
Gradino Zincato a caldo
Hot Galvanized Step

Articolo Code	H	Peso Weight
50185110	250	1,7 kg
50186110	350	2,35 kg



Gradino / Step

- Art.50195110** Zincato - Zinc plated
 - Art.50195200** Zincato a caldo - Hot Galvanized
 - Art.50195300** Inox - Stainless steel
- 1,250 kg

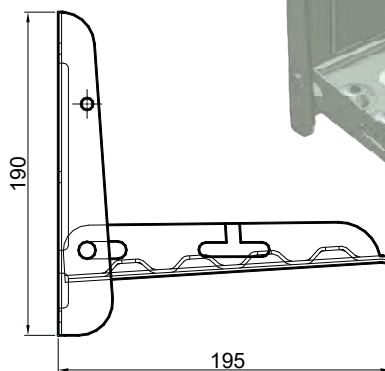
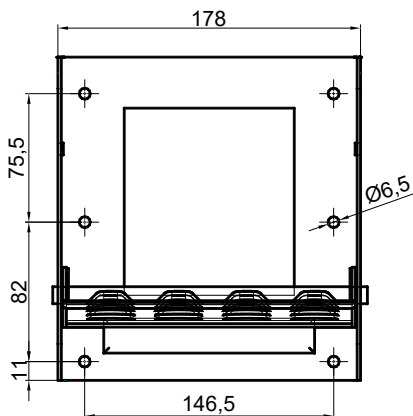
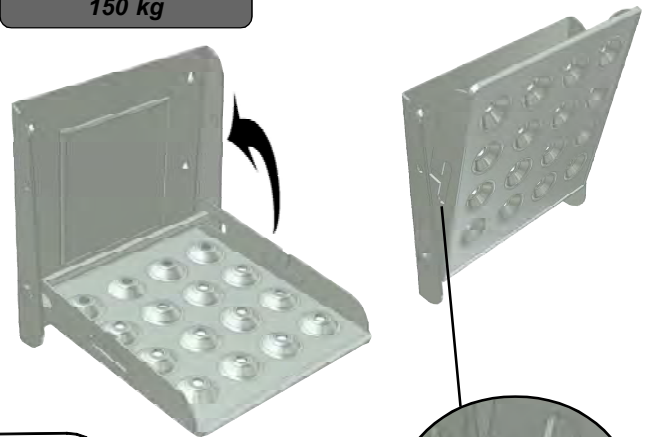


Pedana salita con fermo
Folding step with stopper

- Art.50170110** Zincata - Zinc plated
 - Art.50170200** Inox - Stainless steel
- 1,400 kg



Capacità di portata
Capacity load
150 kg



*Fermo
*Stopper



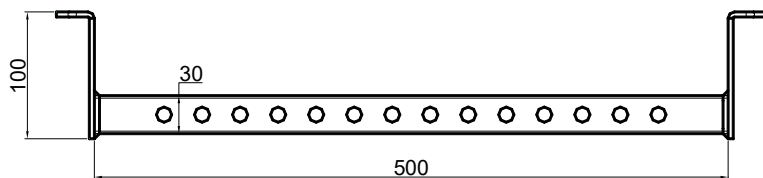
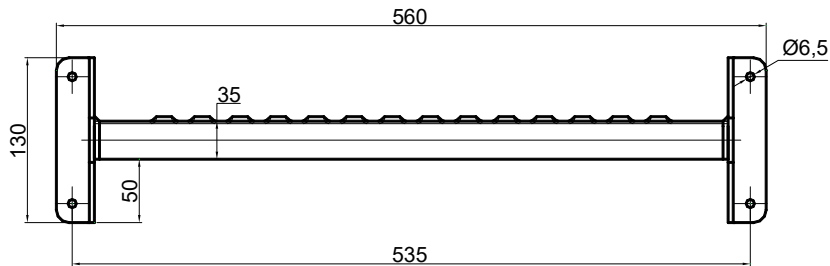
Gradino Trakker

Trakker step

Art. 50180110 Zincato - Zinc plated

Art. 50180210 Inox - Stainless steel

1,300 kg

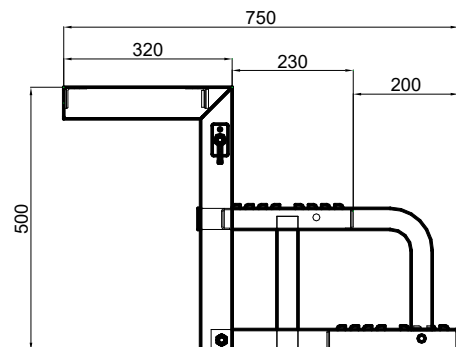
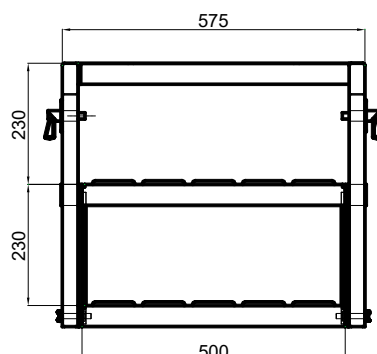
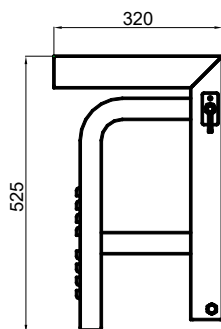


Scaletta estraibile ribaltabile 2 gradini zincata AT600

Folding extractable overturning 2 steps AT600 zinc plated

Art.50165110

18,000 kg



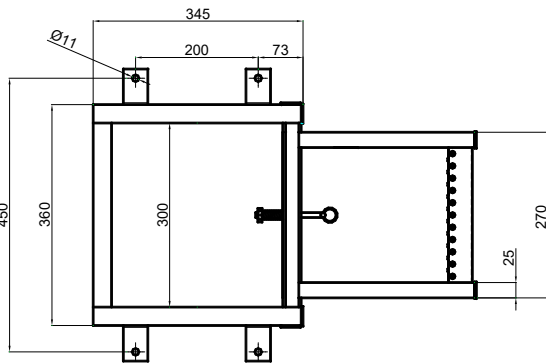
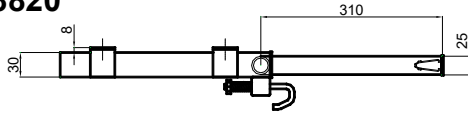


Scaletta leggera zincata estraibile a 1 gradini
Zinc plated light ladder with 1 folding steps

Art.50298820

3,900 kg

3 Pcs.



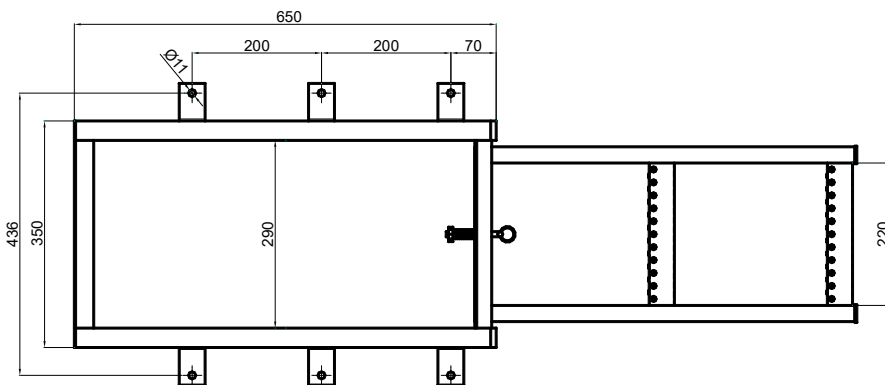
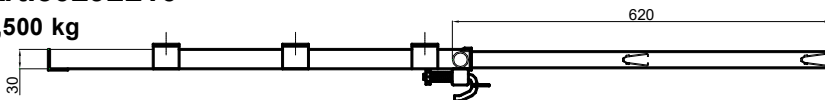
Art.50292201

Scaletta leggera zincata estraibile a 2 gradini
Zinc plated light ladder with 2 folding steps

Art.50292210

5,500 kg

5 Pcs.

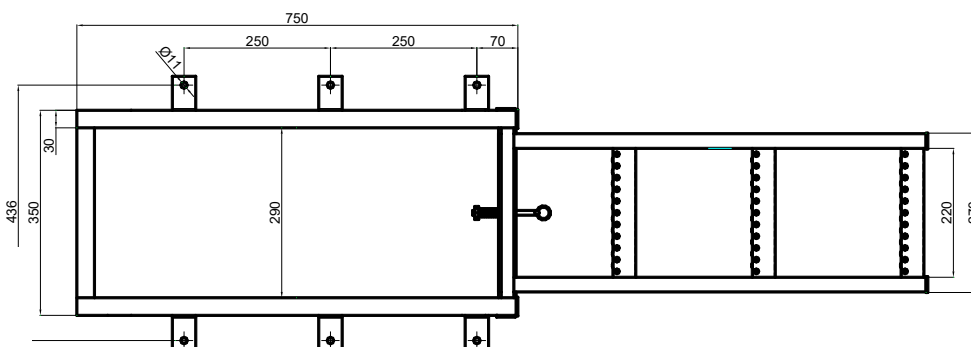
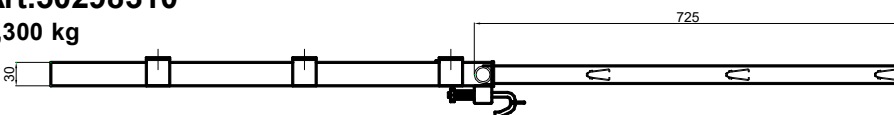


Scaletta leggera zincata estraibile a 3 gradini
Zinc plated light ladder with 3 folding steps

Art.50298310

6,300 kg

3 Pcs.



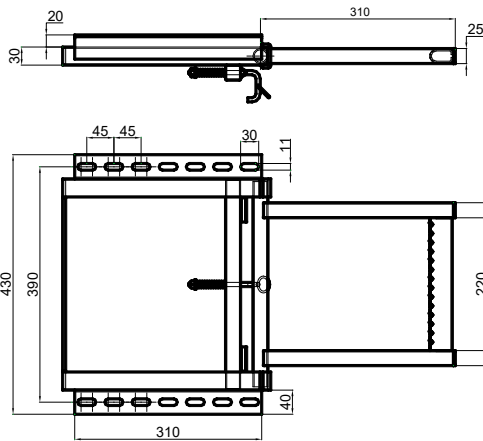


Scaletta asolata zincata estraibile a 1 gradino
Zinc plated slots ladder with 1 folding step

Art.50397665

4,980 kg

3 Pcs.

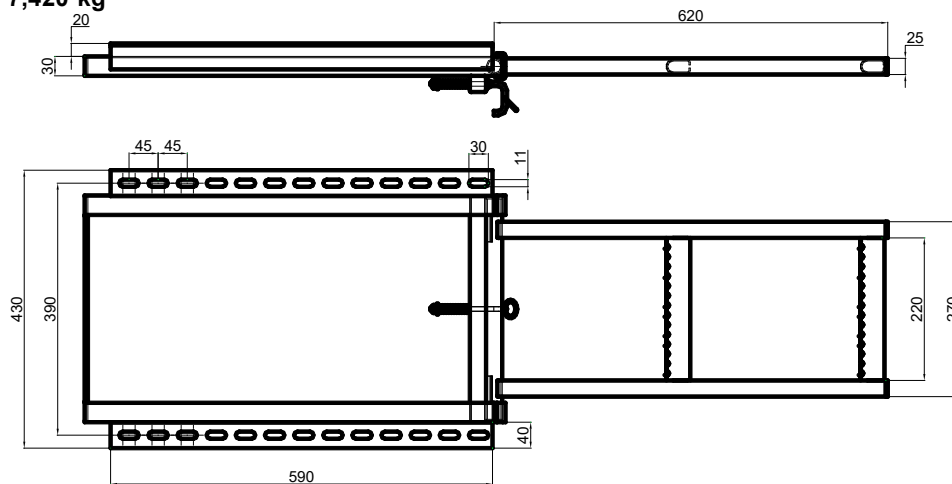


Scaletta asolata zincata estraibile a 2 gradini
Zinc plated slots ladder with 2 folding steps

Art.50398665

7,420 kg

5 Pcs.

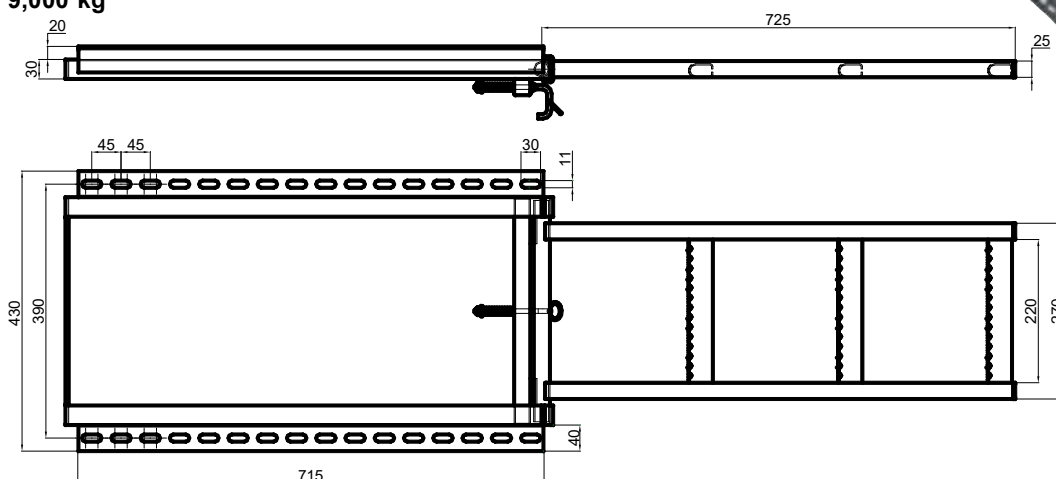


Scaletta asolata zincata estraibile a 3 gradini
Zinc plated slots ladder with 3 folding steps

Art.50400665

9,000 kg

3 Pcs.





KOUTSOFTA
BROS.

A&G KOUTSOFTA BROS LTD

23 Markou Drakou, Dasaki Achnas, Cyprus

koutsoftabros@cytanet.com.cy

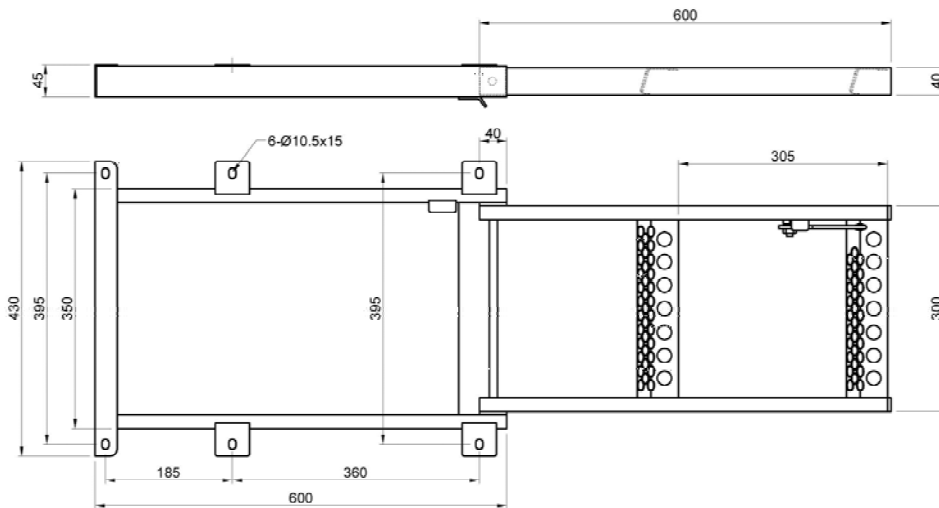
Tel: +357 24722500

Scaletta pesante zincata a caldo estraibile a 2 gradini
Hot galvanized heavy ladder with 2 folding steps



Art.50399665

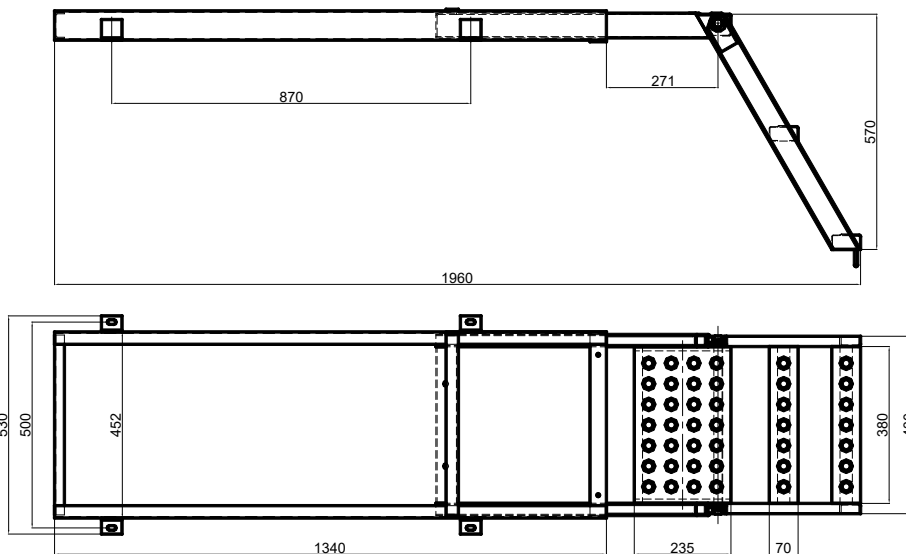
6,500 kg



Scaletta pesante estraibile con pedana a 2 gradini zincata a caldo
Hot zinc plated Heavy ladder with platform 2 folding steps

Art.50430270

26,000 kg



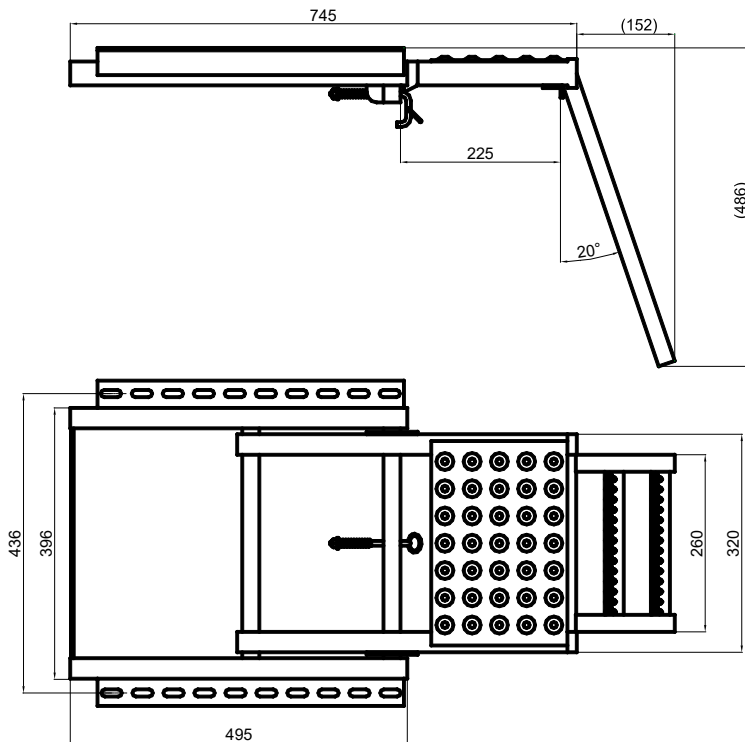


Scaletta estraibile con pedana a 2 gradini compatta
Ladder with platform 2 folding steps

Art.50419070 Zincato - *Zinc plated*

Art.50419270 Zincato a caldo - *Hot Galvanized*

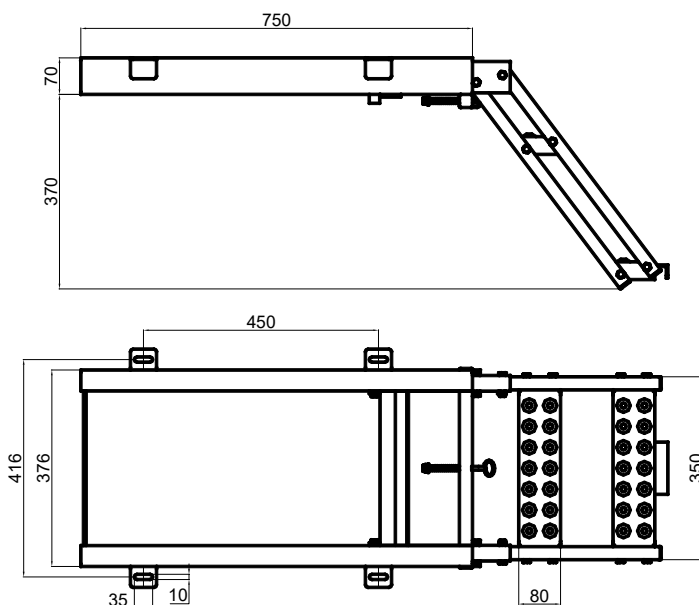
10,400 kg



Scaletta estraibile MATRIX zincata 2 gradini
MATRIX zinc plated ladder 2 folding steps

Art.50709227

14,460 kg





KOUTSOFTA
BROS.

A&G KOUTSOFTA BROS LTD

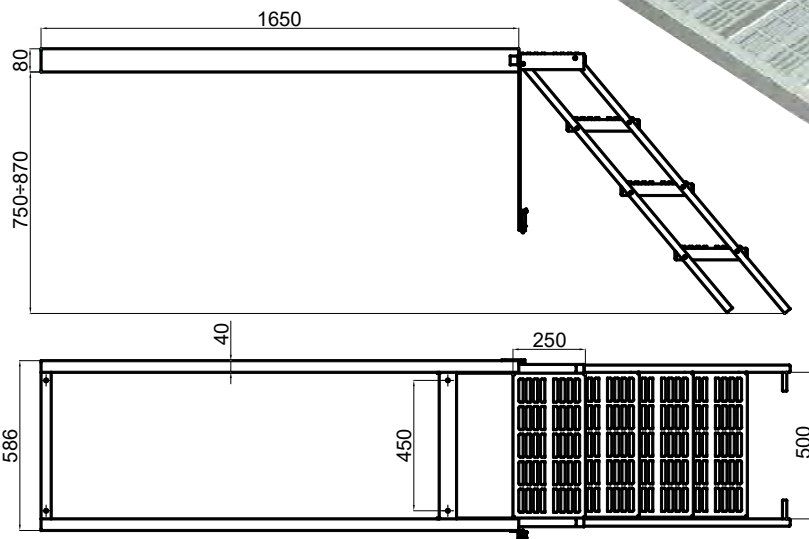
23 Markou Drakou, Dasaki Achnas, Cyprus

koutsoftabros@cytanet.com.cy

Tel: +357 24722500

Scaletta estraibile ribaltabile 4 gradini zincata AT600
Folding extractable overturning 4 steps AT600 zinc plated
Art.50429270

37,500 kg



Gradino Zincato Ricambio
Spare part Zinc plated Step

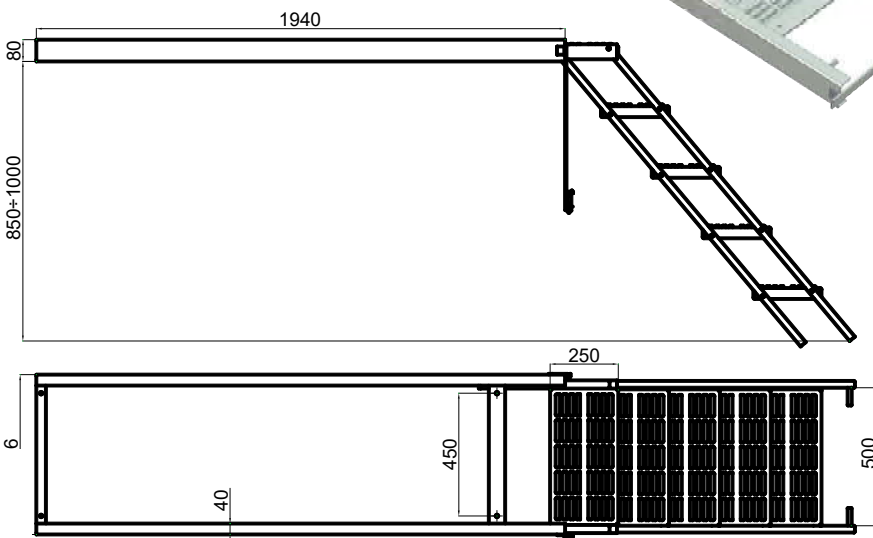
Art.50429270/A

3,00 kg



Scaletta estraibile ribaltabile 5 gradini zincata AT600
Folding extractable overturning 5 steps AT600 zinc plated
Art.50439270

44,700 kg

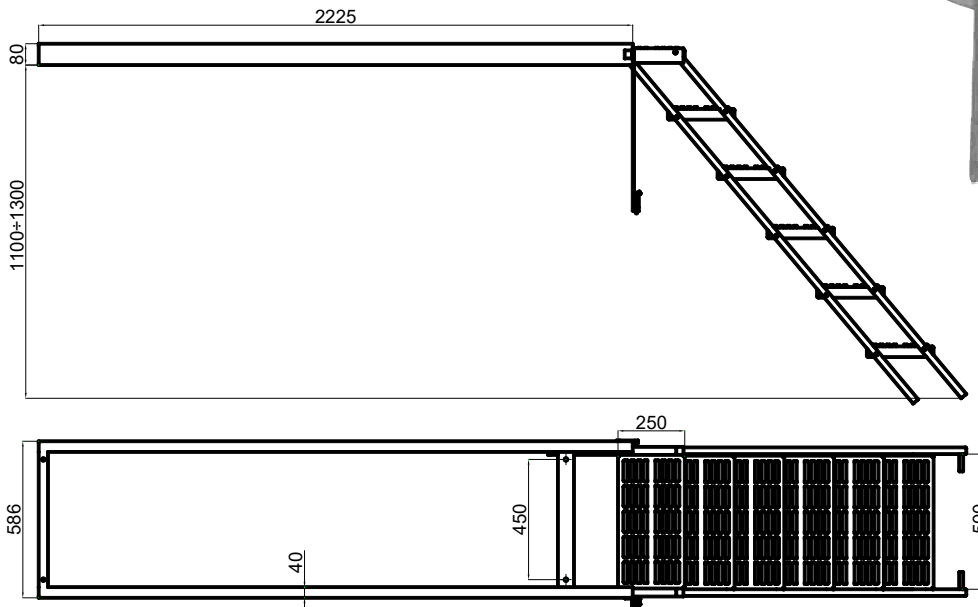




Scaletta estraibile ribaltabile 6 gradini zincata AT600
Folding extractable overturning 6 steps AT600 zinc plated

Art.50449270

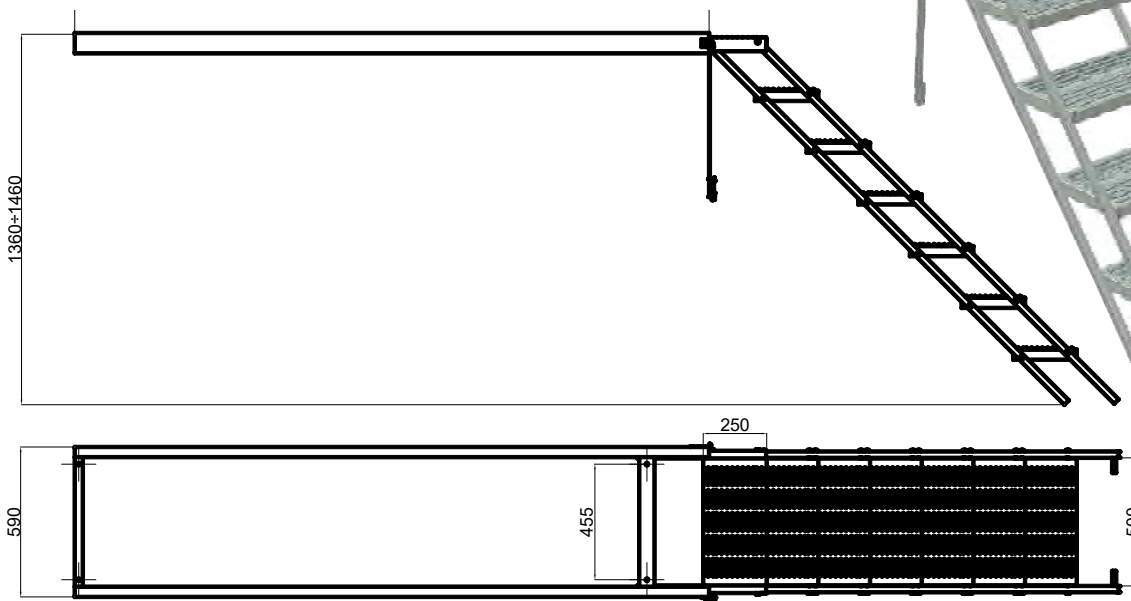
51,500 kg



Scaletta estraibile ribaltabile 7 gradini zincata AT600
Folding extractable overturning 7 steps AT600 zinc plated

Art.50450270

60,000 kg



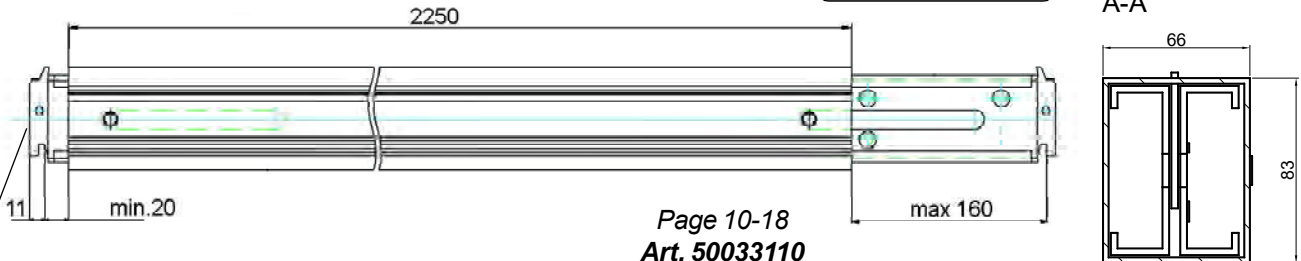


Barra portante in alluminio regolabile da 2290 a 2570 mm
Aluminum decking beam range adjustable 2290 to 2570 mm

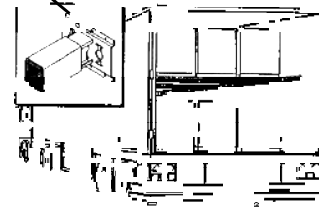
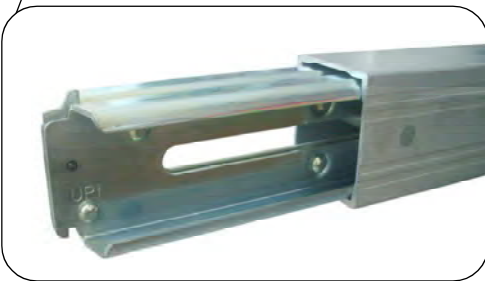
Art.50071055

9,700 kg

Carico massimo
Max load capacity
1000 kg

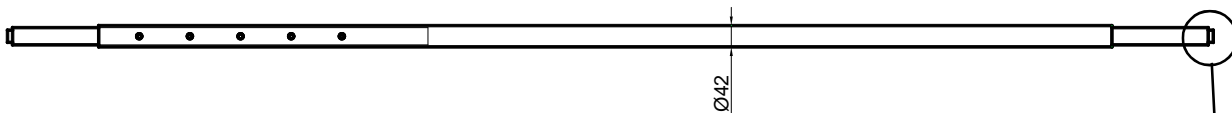


Page 10-18
Art. 50033110
Art. 50033210
Art. 50033320

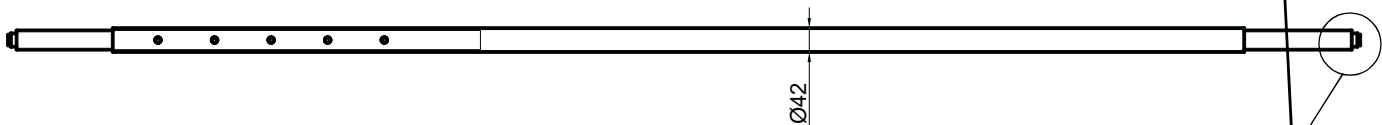


Barra telescopica zincata registrabile
Zinc plated shoring bar

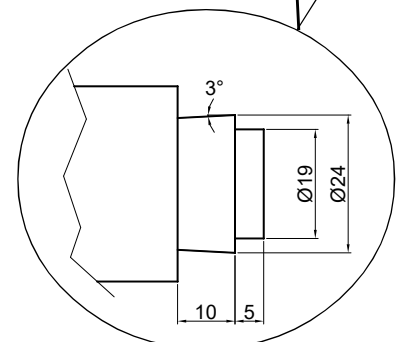
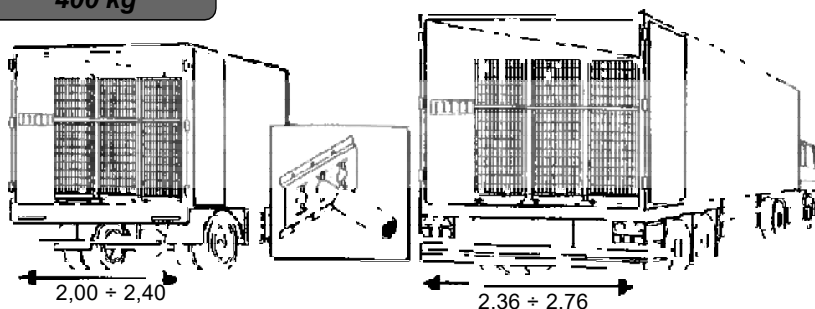
Articolo Code	Regolabile Adjustable	Ø	Tappo Plug	Peso Weight
50071033	2085 ÷ 2485	42	19 - 24	4,6 kg



Articolo Code	Regolabile Adjustable	Ø	Tappo Plug	Peso Weight
50071031	2360 ÷ 2760	42	19 - 24	9,3 kg



Carico massimo
Max load capacity
400 kg





Ferma carico verticale equipaggiata con molle pretensionate Vertical shoring bar Equiped with a spring

Ø38

Regolabile da 2,35 a 2,72 Mtr.

Lenght range 2,35 to 2,72 Mtr.

Alluminio / Aluminium

Art. 50071081 - 4,500 kg

Acciaio zincato / Zinc plated

Art. 50071181 - 5,900 kg

Ø38

Regolabile da 2,56 a 2,93 Mtr.

Lenght range 2,56 to 2,93 Mtr.

Alluminio / Aluminium

Art. 50071086 - 4,700 kg

Ø42

Regolabile da 2,10 a 2,47 Mtr.

Lenght range 2,10 to 2,47 Mtr.

Alluminio / Aluminium

Art.50071084 - 4,600 kg

Ø42

Regolabile da 2,35 a 2,72 Mtr.

Lenght range 2,35 to 2,72 Mtr.

Alluminio / Aluminium

Art.50071083 - 4,800 kg

Acciaio zincato / Zinc plated

Art. 50071183 - 6,300 kg

Carico massimo
Max load capacity
170 kg

Soltampone in gomma Ø42

Only rubber stopper Ø42

Art.50071088

Solo maniglia/cremagliera per barra Ø38

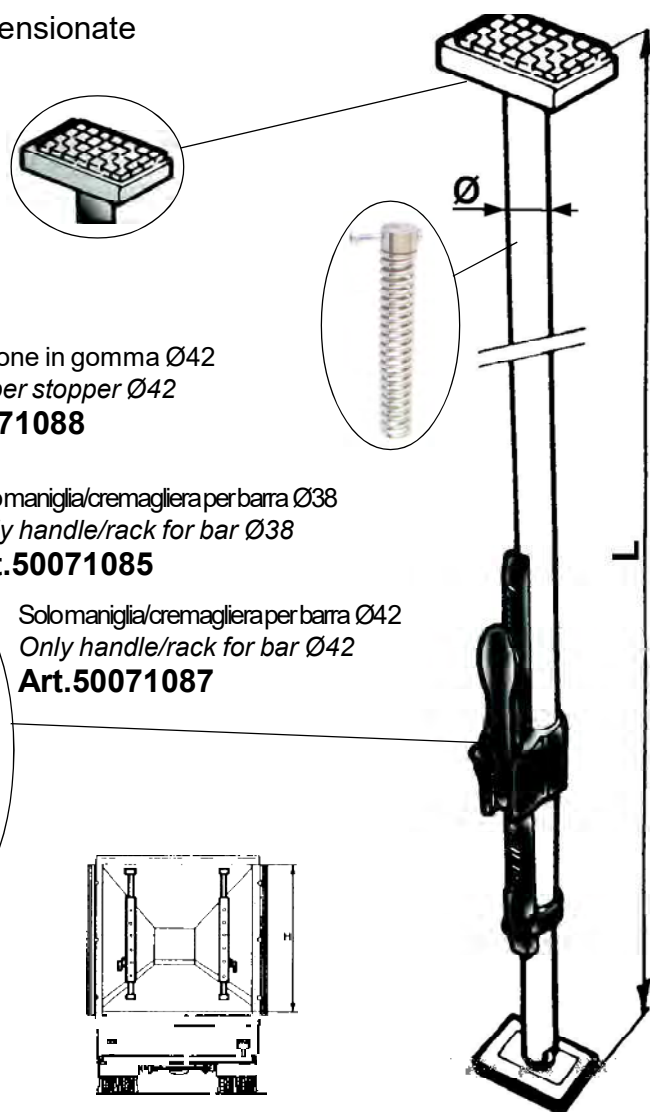
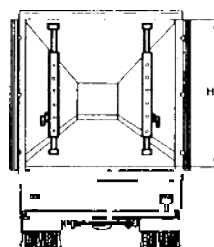
Only handle/rack for bar Ø38

Art.50071085

Solo maniglia/cremagliera per barra Ø42

Only handle/rack for bar Ø42

Art.50071087



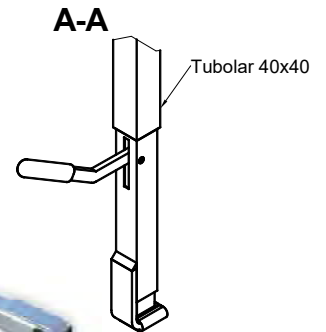
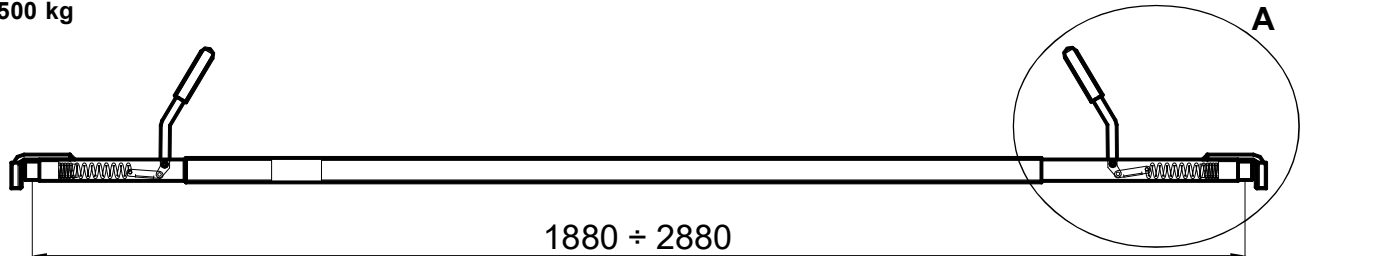


Barra fermacarico tipo "Scout" zincata orizzontale telescopica per sponde da 25 mm

Zinc plated shoring load lock bar type "Scout" for side boards 25 mm

Art.50030250

7,500 kg

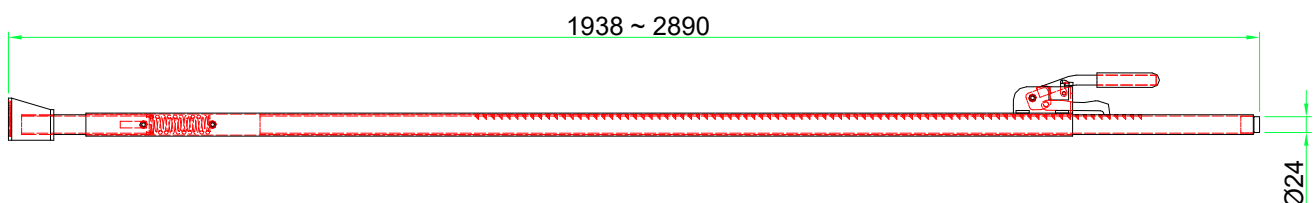


Palo Totem fermacarico verticale zincato con perno Ø24

Zinc plated Totem vertical load lock bar with Ø24 pin

Art.50030350

6,000 kg





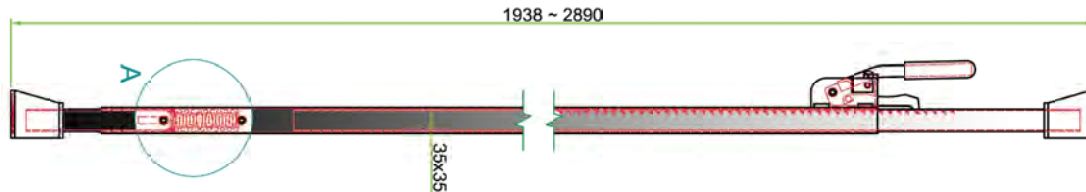
Palo Totem fermacarico verticale zincato
Zinc plated Totem vertical load lock bar

Art.50030300

6,000 kg

*Dispositivo di bloccaggio per evitare l'apertura accidentale della maniglia.

*Spring at the bottom to absorb any excessive force caused by the handle.



A (1 : 2)



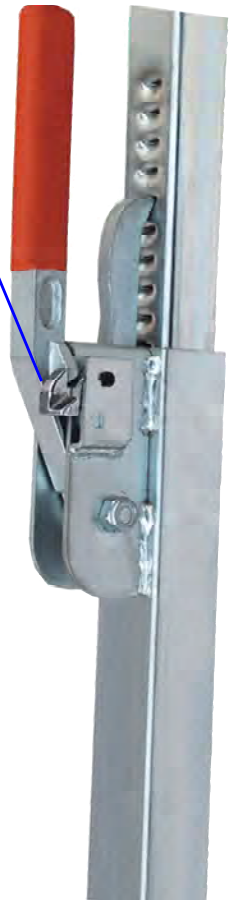
*Sono dotati di una molla posizionata alla base per assorbire una eventuale forza eccessiva esercitata dalla maniglia.

*They are also equipped with a spring at the bottom to absorb any excessive force caused by the handle.

Tampone smussato in gomma

With rubber half buffer

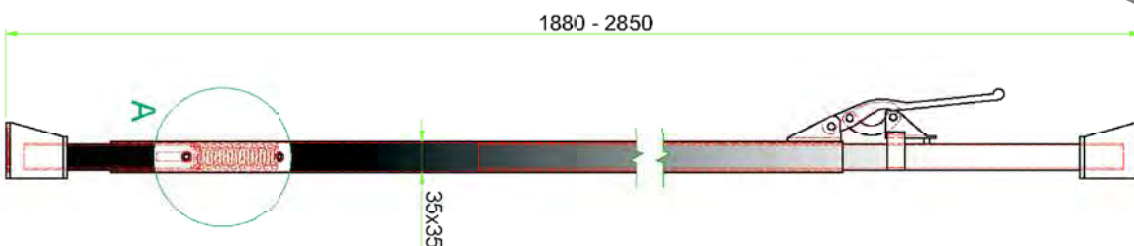
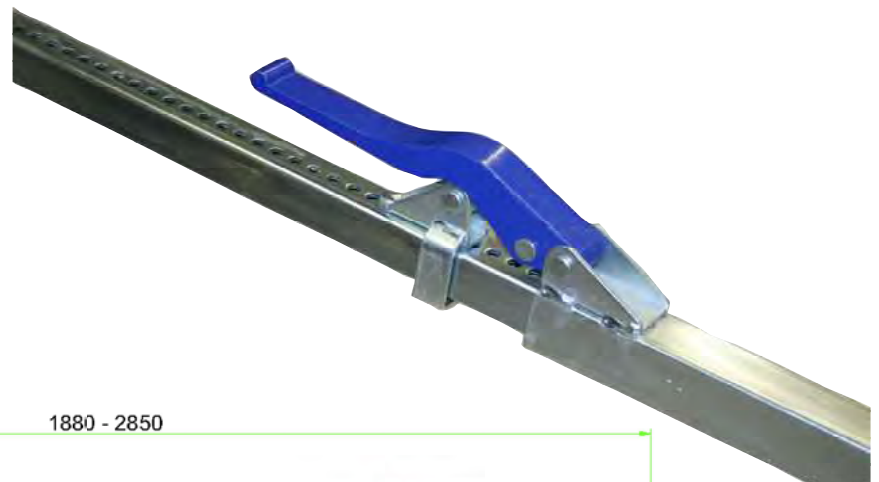
Art.50030302 - 0,230 kg



Palo Totem fermacarico verticale zincato con fissaggio a piolo
Zinc plated Totem vertical load lock bar with pin fixing

Art.50030200

6,400 kg





Barra estensibile da 2400 a 2700 in alluminio con chiusure zincate
Telescopic aluminium profile adjustable 2400 to 2700 with zinc plated locks

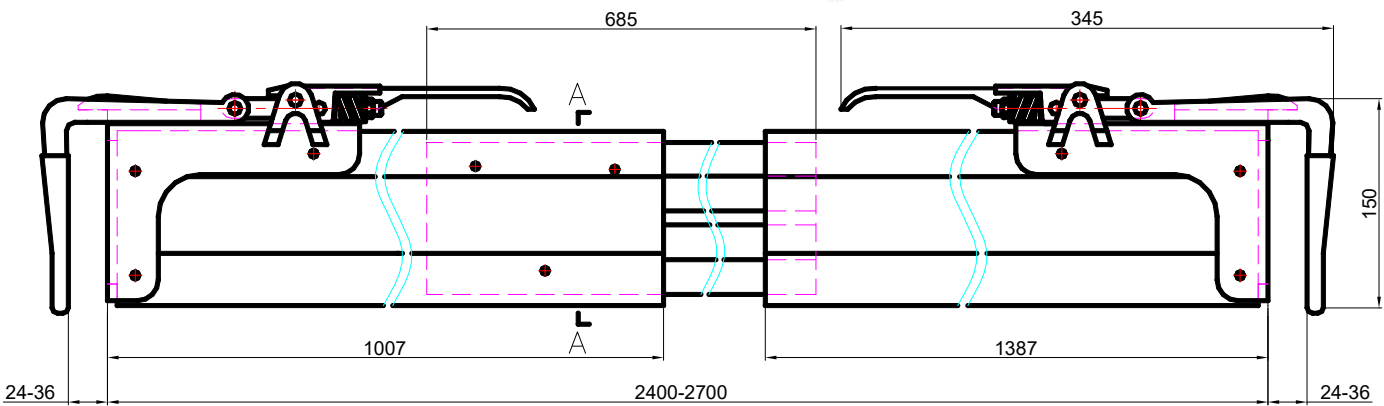
Art.50030225

10,500 kg



Solo protezione in gomma
Only rubber protection
Art.50030226 - 0,030 kg

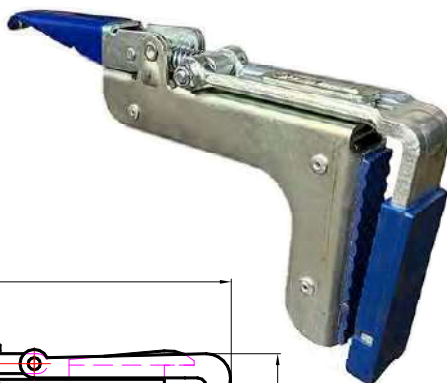
Profilo max 30 mm
Max profile 30 mm



Chiusura zincato
Zinc plated locks

Art.50030125

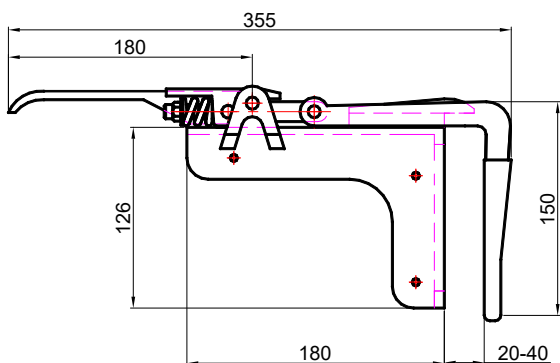
2,350 kg



Chiusura zincata FORGIATA
FORGED zinc plated lock

Art.50030126

2,400 kg



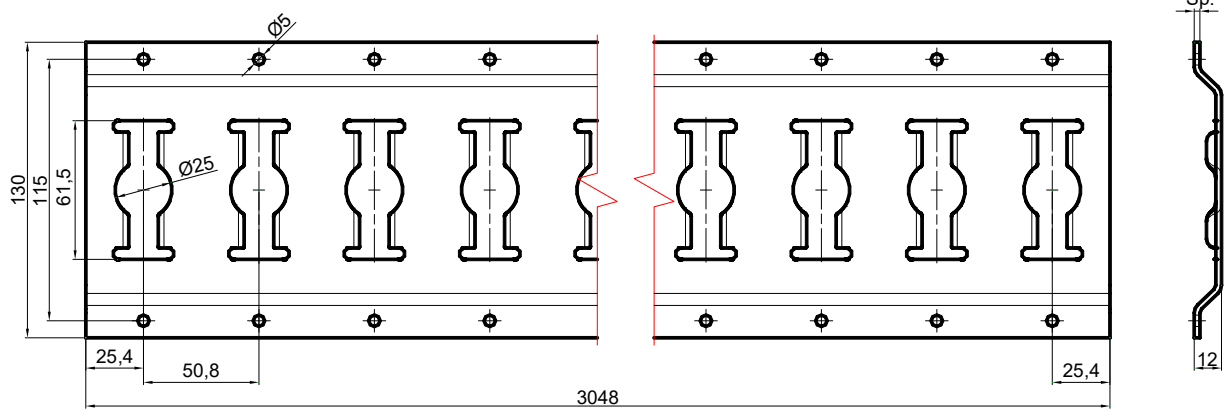
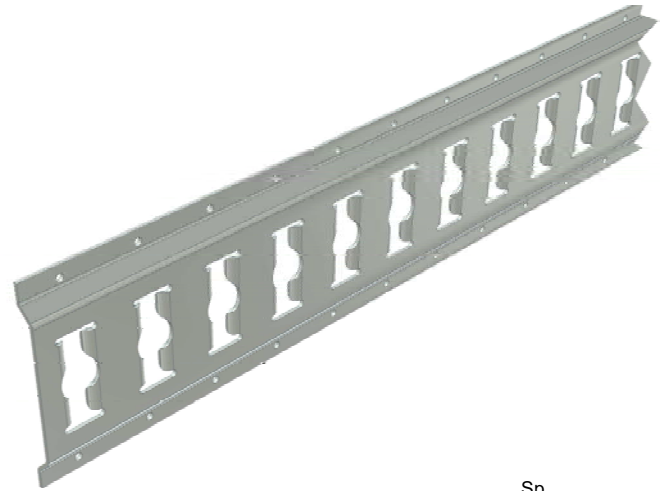
Profilo max 30 mm
Max profile 30 mm



Profilo ferma carico orizzontale F-TRACK

F-TRACK horizontal profile

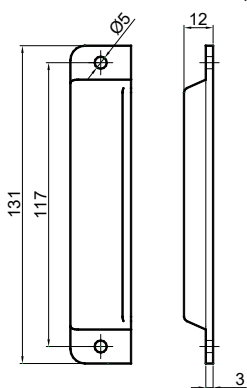
Articolo Item	Trattamento Treatment	Sp. mm	Weight kg
50033110	Zincato Zinc plated	2	6,200
50033110/25	Zincato Zinc plated	2,5	7,000
50033210	Inox Stainless steel	2	5,200
50033320	Alluminio Aluminum	3	3,000
50033111	Magnelis	2	6,200



Tappo PVC

PVC Cap

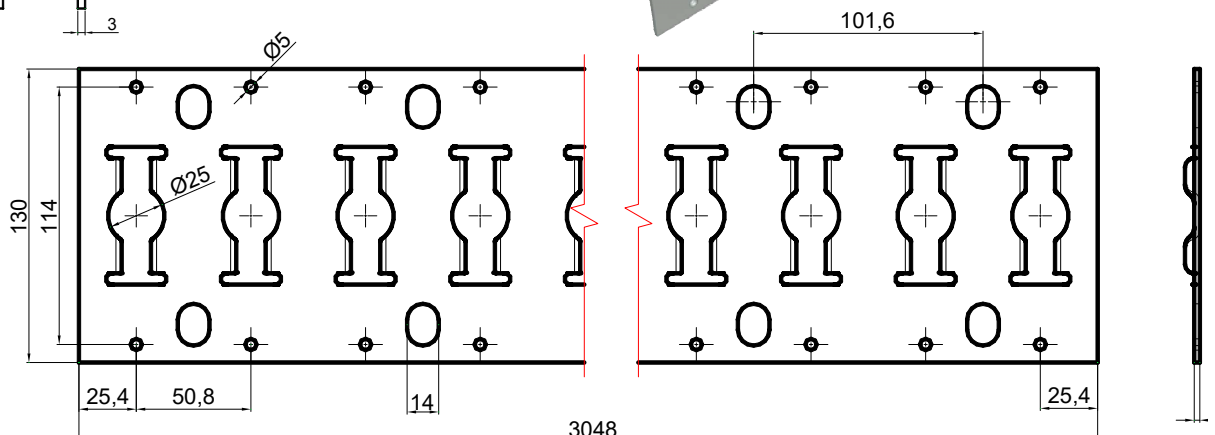
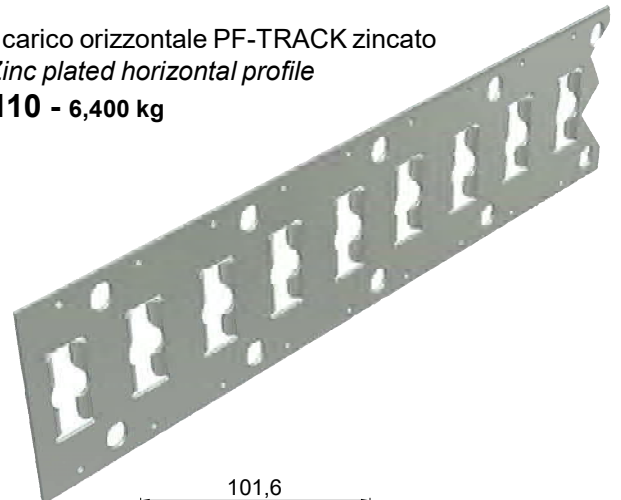
Art.50033500 - 0,015 kg



Profilo ferma carico orizzontale PF-TRACK zincato

PF-TRACK Zinc plated horizontal profile

Art.50043110 - 6,400 kg



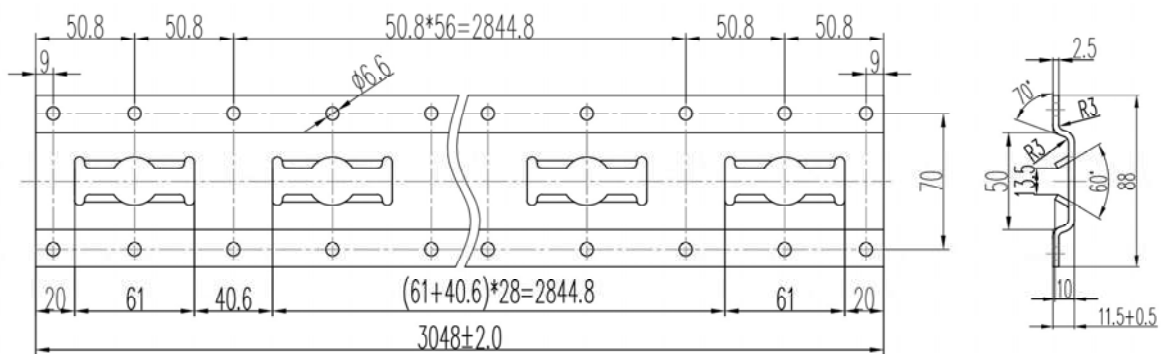
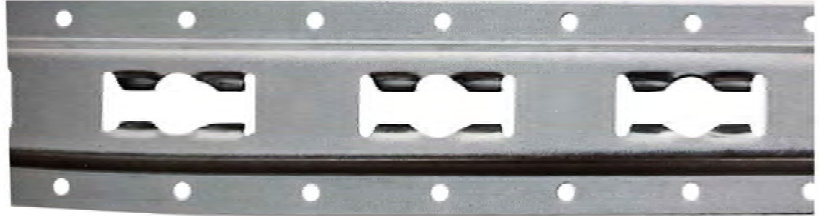


Profilo ferma carico Verticale F-TRACK

F-TRACK vertical profile

Art.50073110 Zincato - Zinc plated

5,000 kg

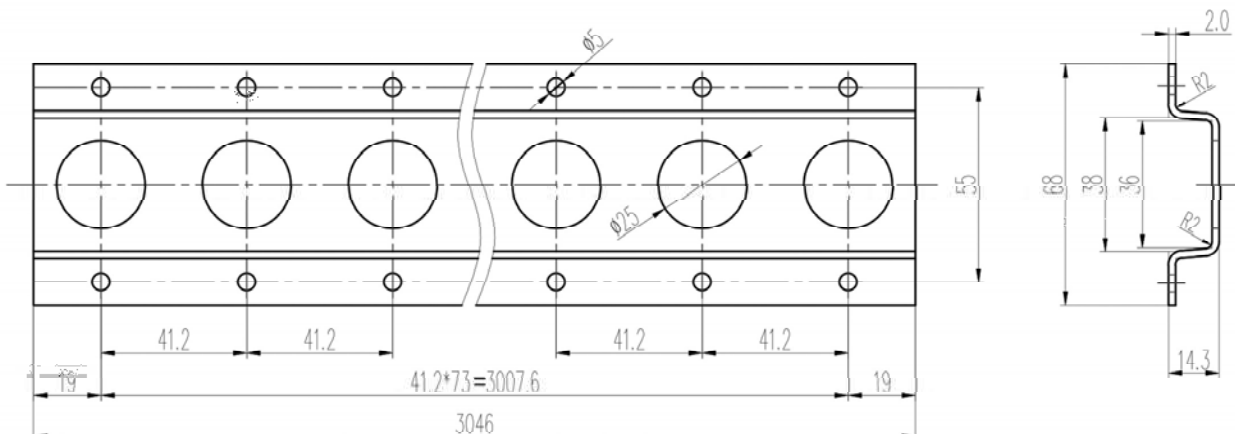
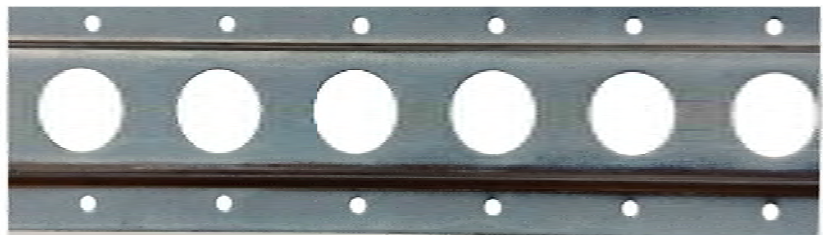


Profilo ferma carico orrizontale O-TRACK

O-TRACK horizontal profile

Art.50053110 Zincato - Zinc plated

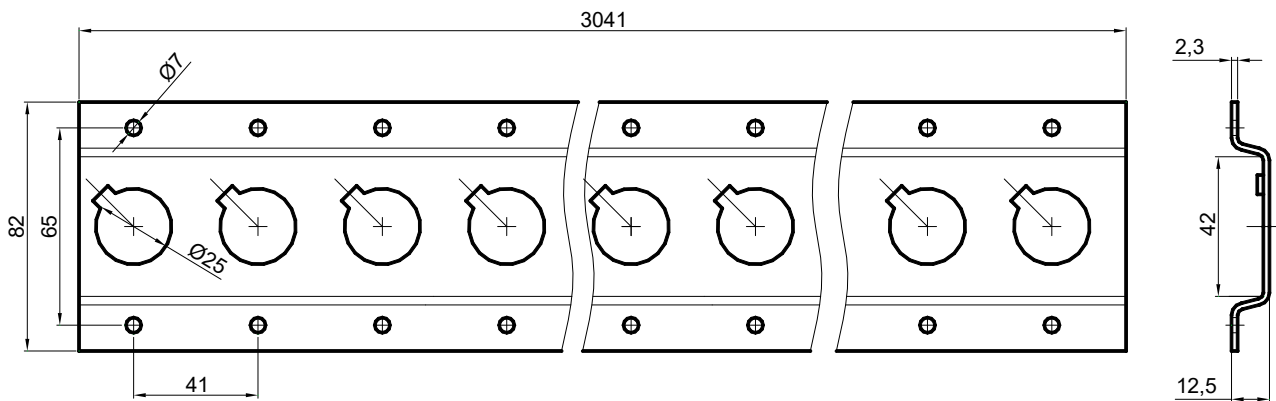
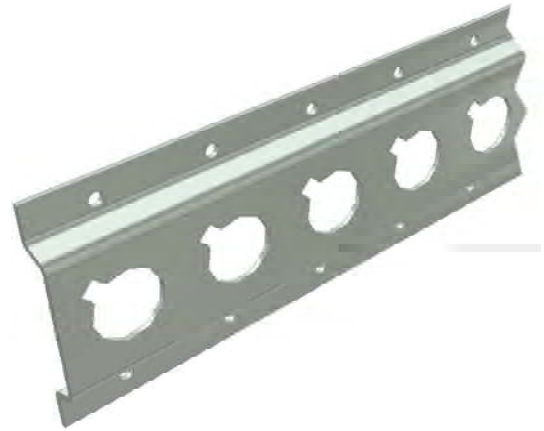
3,500 kg





Profilo ferma carico orizzontale OI-TRACK
OI-TRACK Combi-track horizontal profile

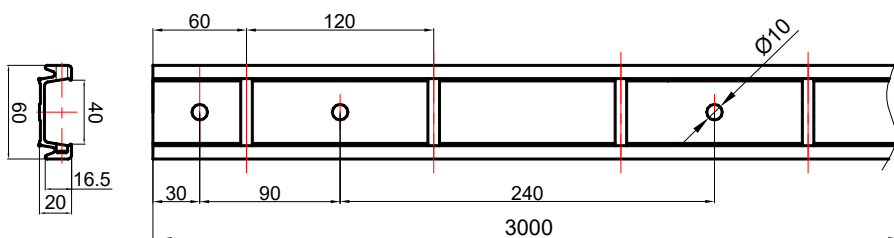
Articolo Item	Trattamento Treatment	Weight kg
50063110	Zincato Zinc plated	3,500
50063210	Inox Stainless steel	3,430



Barra in alluminio con perni e protezione in pvc
Aluminium track with pins and pvc cover

Art.50071099

4,300 kg

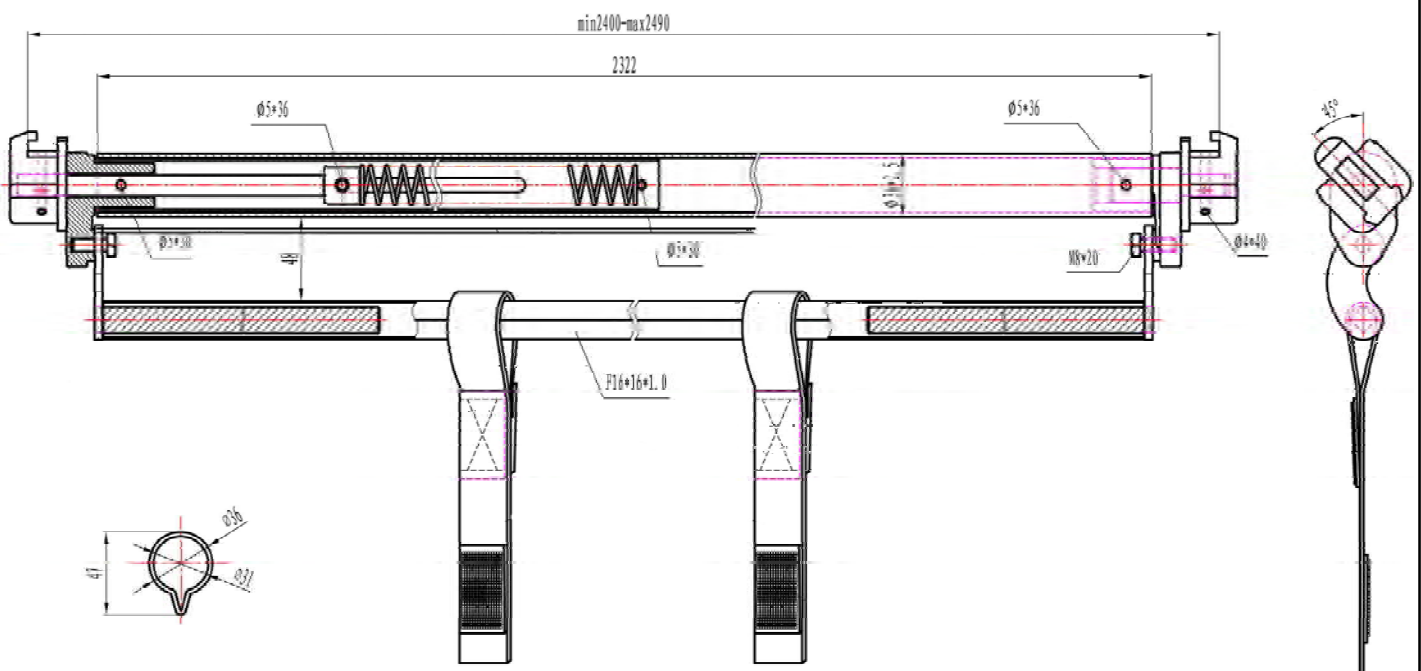
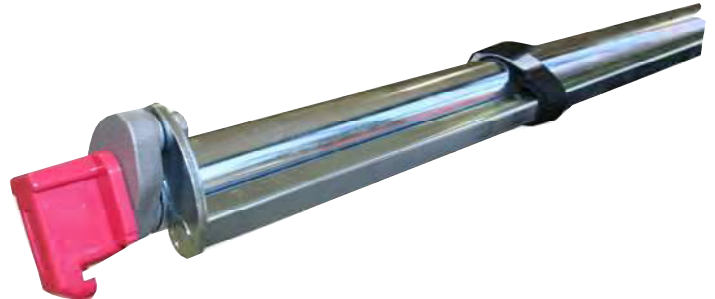




Barra appendiabiti zincata con aggancio di sicurezza estensibile da 2400 a 2490
Expanding zinc plated shoring bar for garments sheets adjustable from 2400 to 2490

Art.50081526

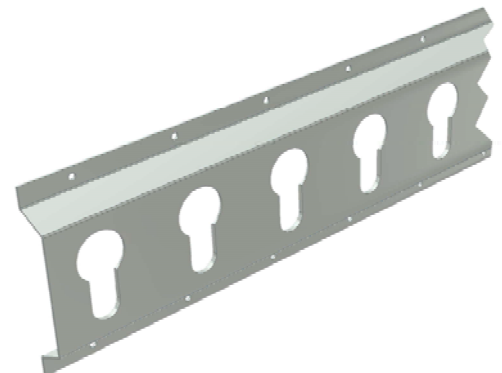
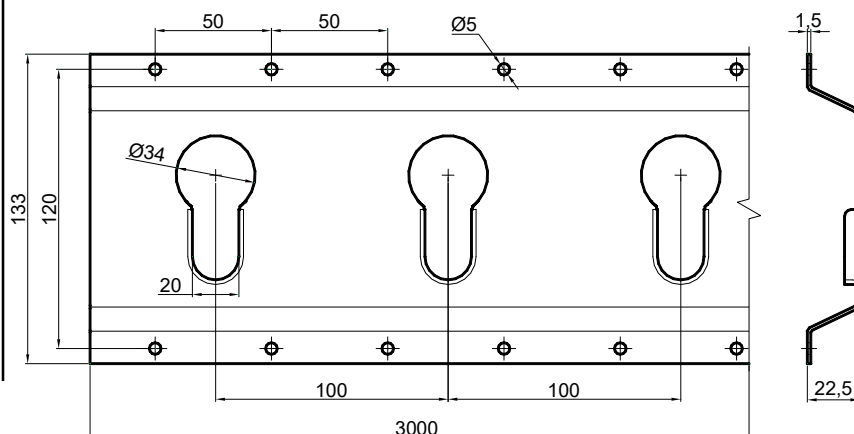
7,400 kg



Profilo ferma carico orizzontale ALTO per appendiabiti zincata
Zinc plated horizontal garments rail track HIGH

Art.50071803/1

5,000 kg



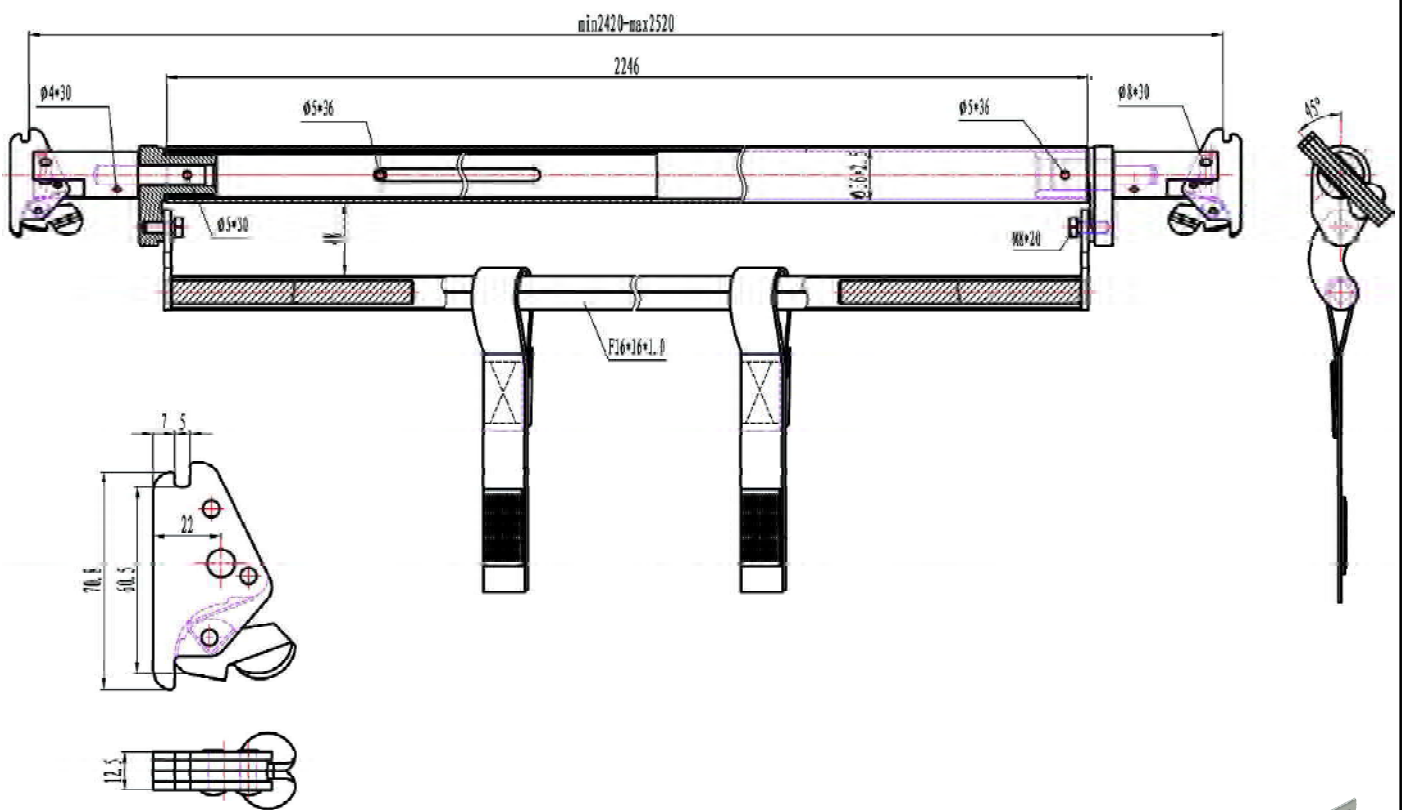


Barra appendiabiti zincata con aggancio di sicurezza estensibile da 2420 a 2520
Expanding zinc plated shoring bar for garments sheets adjustable from 2420 to 2520

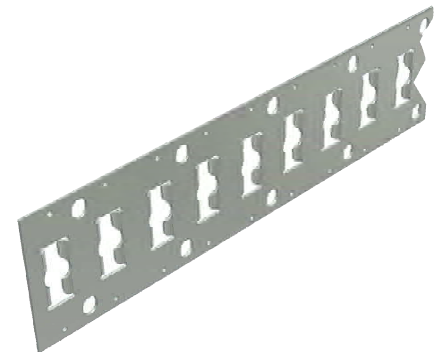
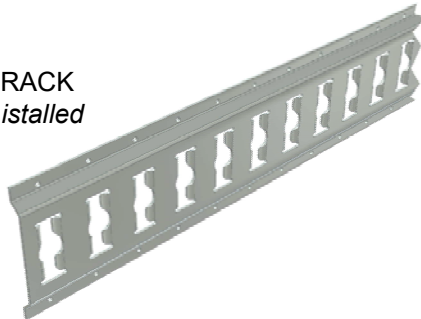
Art.50081527

7,400 kg

- * Lunghezza modificabile
- * Length adjustable



Profilo orizzontale F-TRACK
F-TRACK horizontally installed

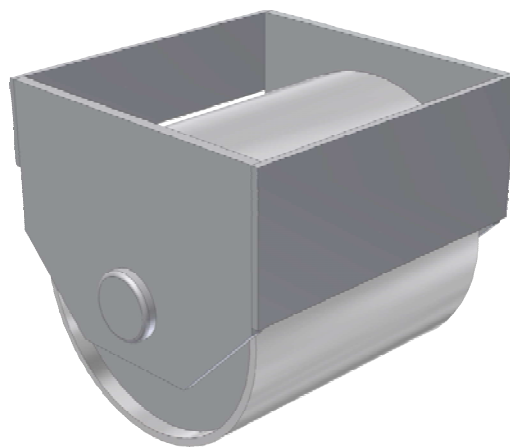
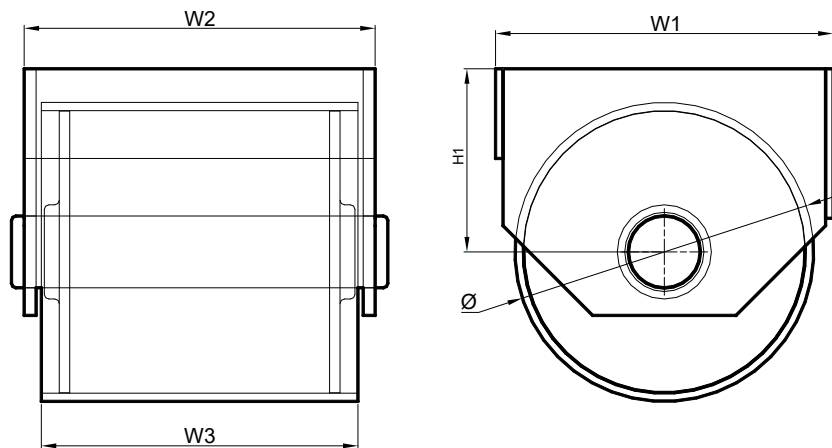


Articolo Article	Trattamento Treatment	Sp. mm	Weight kg
50033110	Zincato Zinc plated	2	6,200
50033210	Inox Stainless steel	2	5,200
50033320	Alluminio Aluminum	3	3,000

Articolo Article	Trattamento Treatment	Sp. mm	Weight kg
50043110	Zincato Zinc plated	2	6,400



Rulli per scarrabile
Rollers for dumper

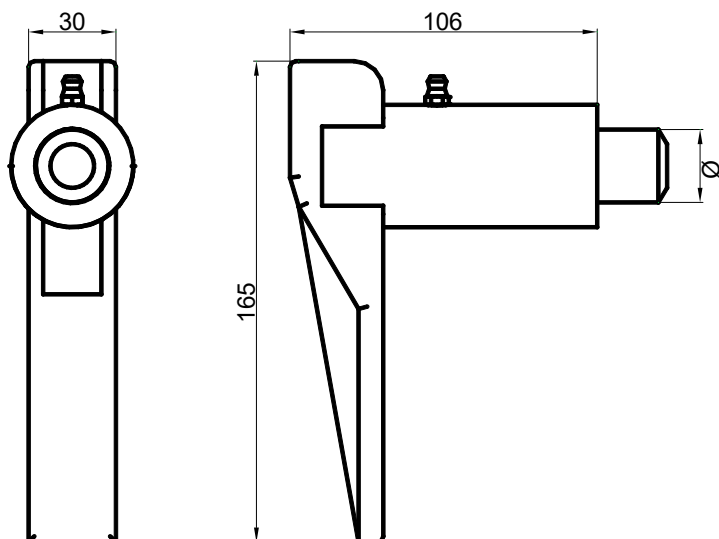


* Capacità 15 Ton. cad. per entrambe i modelli, per cassoni con volume da 7 a 35 m³.
* Capacity 15 Tons. each one for both types, for dump boxes with capacity from 7 to 35 m³.

Articolo Code	Ø	W1	W2	W3	H1	Peso Weight kg
51000153	160	190	217	160	90	10,500
51000154	200	230	235	180	110	15,500
51000155	160	190	256	200	90	12,000

Maniglia fissaggio gamba zincata
Zinc plated Lock handle

Articolo Article	Ø mm	Peso Weight kg
36020300	18	1,250
36020301	25	1,300



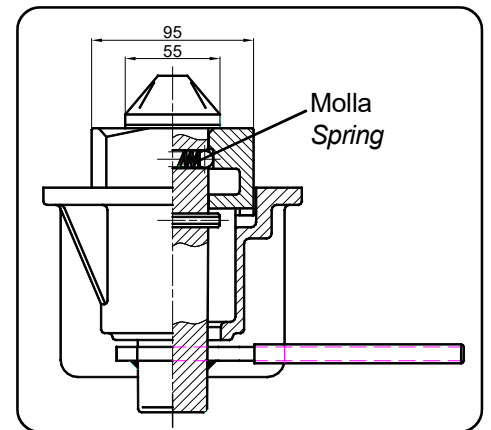
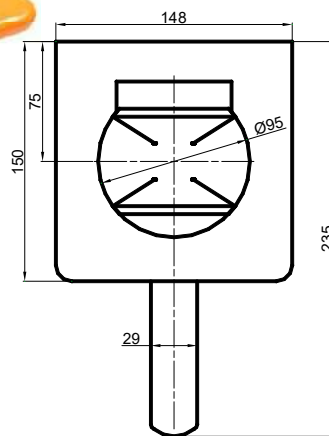
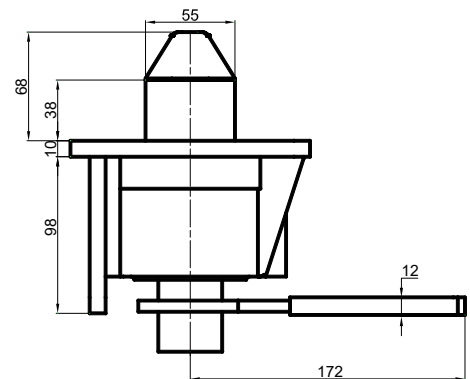
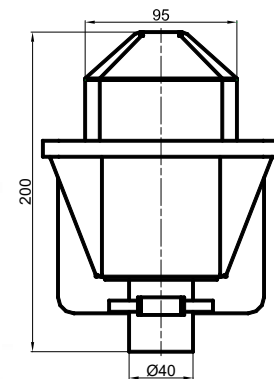


Twist Lock tipo leggero

Light type Twist lock

Art. 50253280

7,300 kg



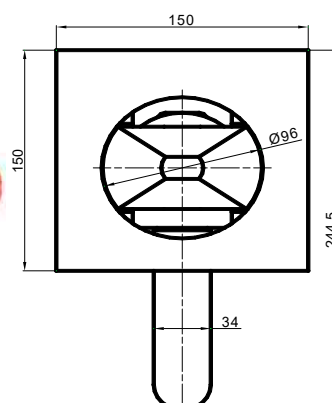
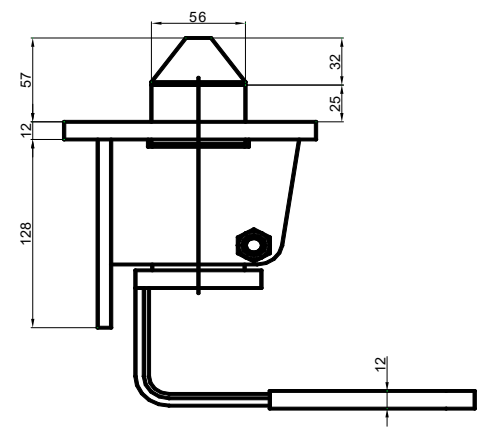
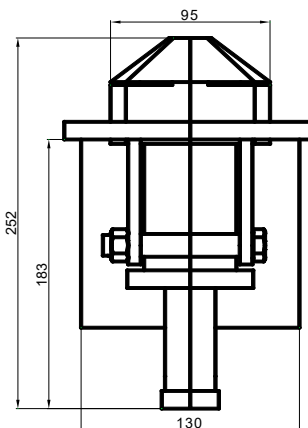
Twist lock è a norma con l'utilizzo dei
blocchi a d'angolo ISO 1161

Twist Lock tipo leggero

Light type Twist lock

Art. 50253180

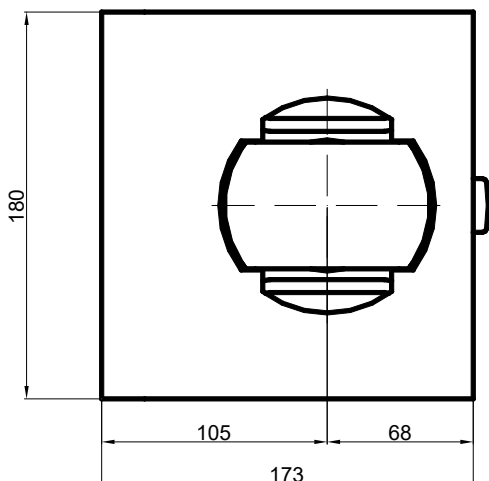
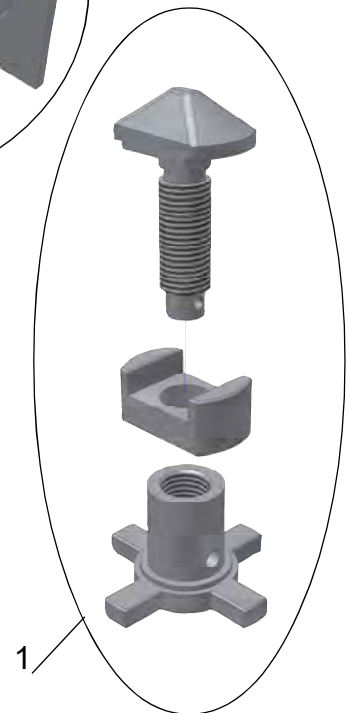
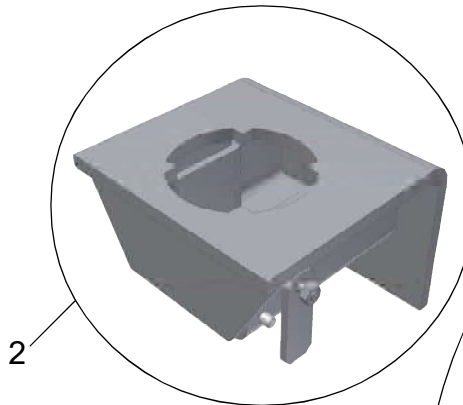
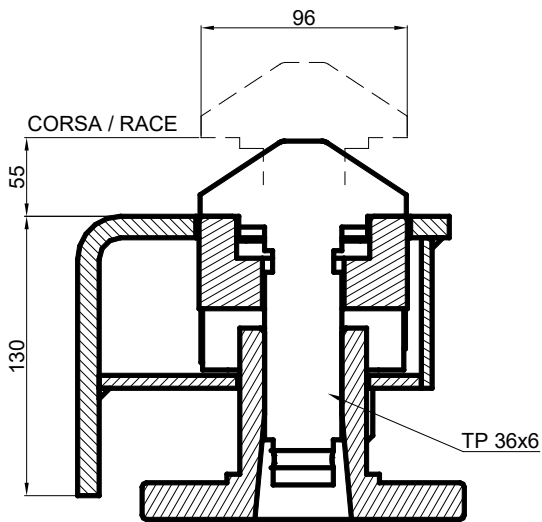
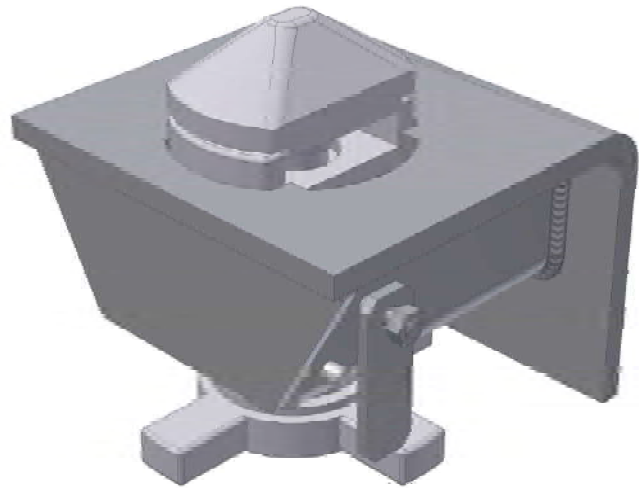
7,900 kg





Twist Lock Ø36 grezzo
Twist lock Ø36 raw

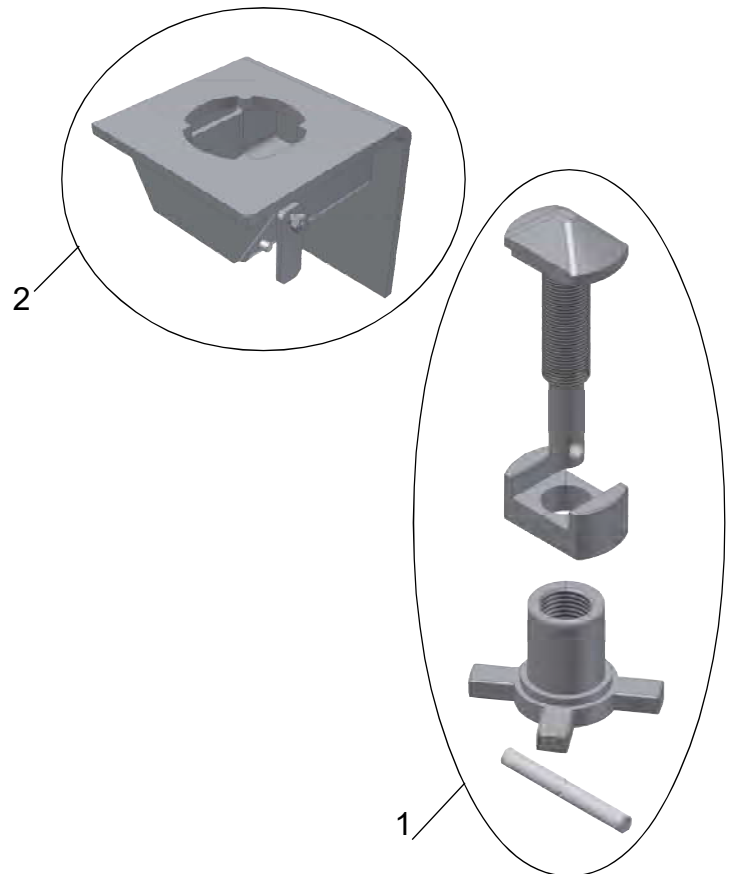
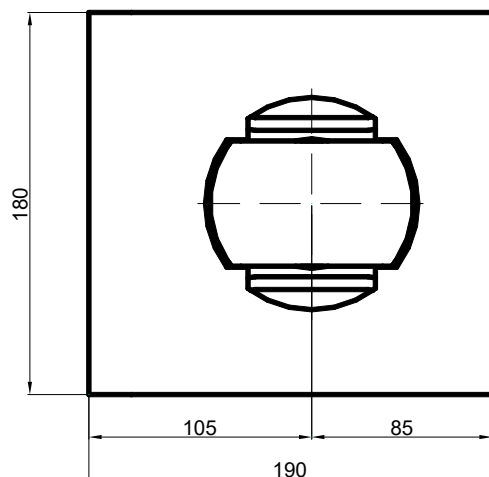
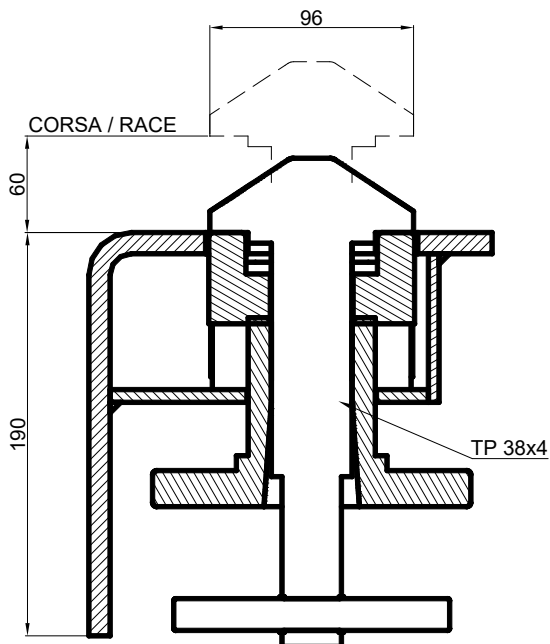
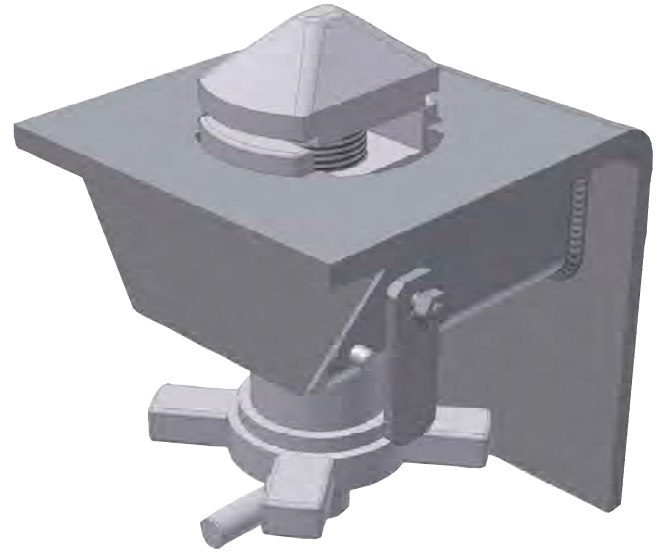
Articolo Code	Pos.	Descrizione Description	Peso Weight kg
50253580		Completo Complete	10,200
50253580/1	1	Parte interna Inside	5,500
50253580/2	2	Parte esterna Outside	4,700





Twist Lock Ø38 grezzo
Twist lock Ø38 raw

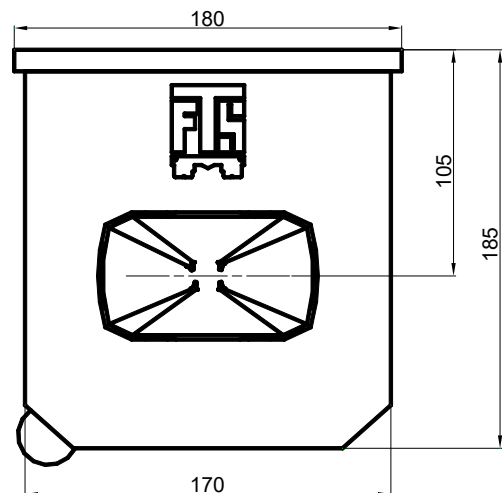
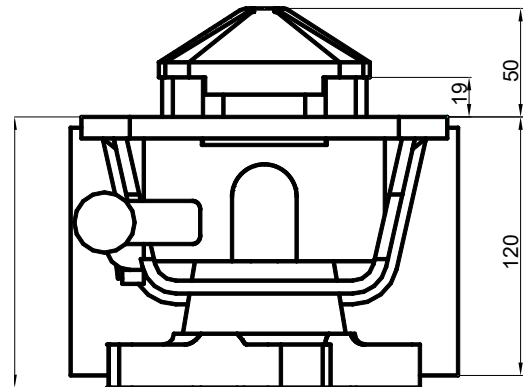
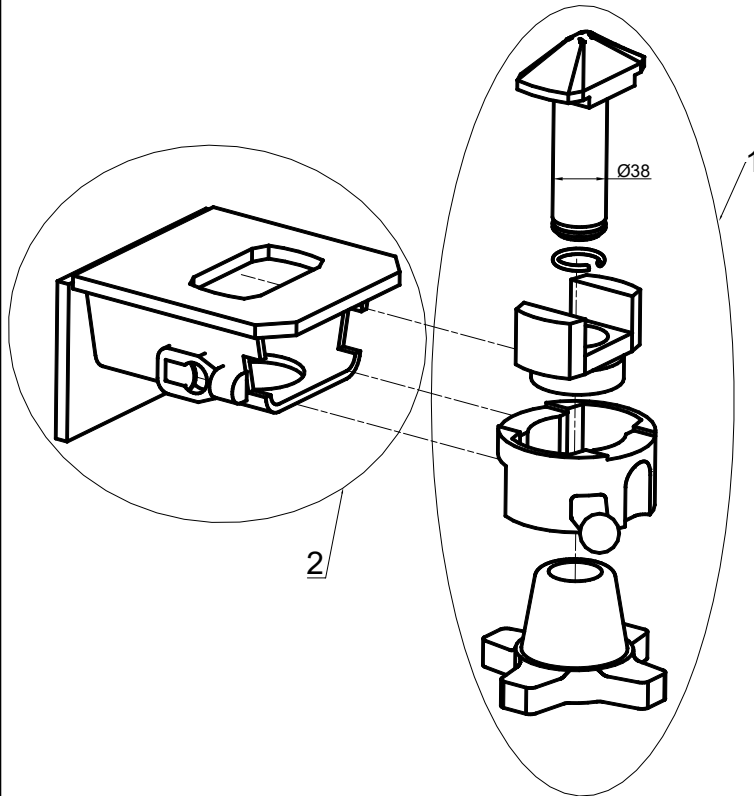
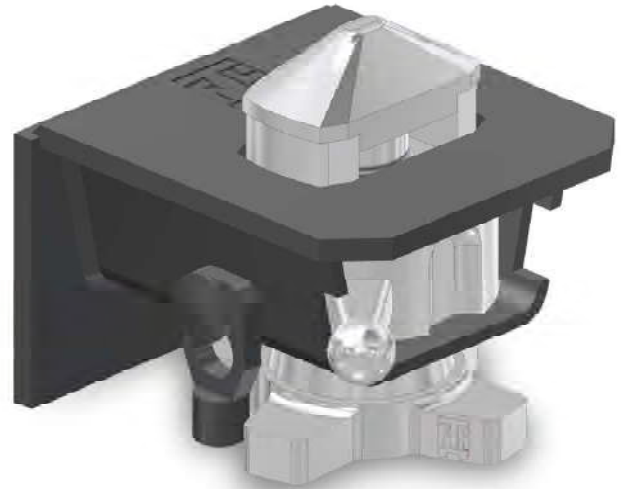
Articolo Code	Pos.	Descrizione Description	Peso Weight kg
50253480		Completo Complete	11,500
50253480/1	1	Parte interna Inside	6,000
50253480/2	2	Parte esterna Outside	5,500





Twist Lock Ø 38
Twist lock Ø 38

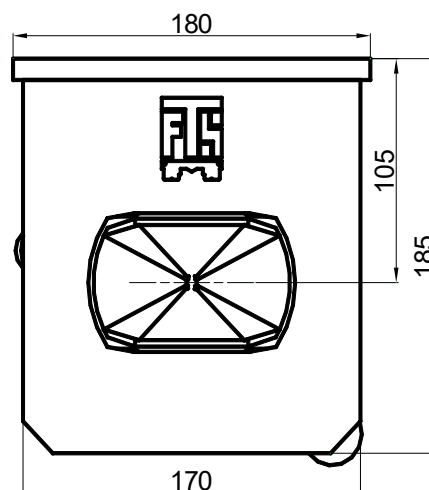
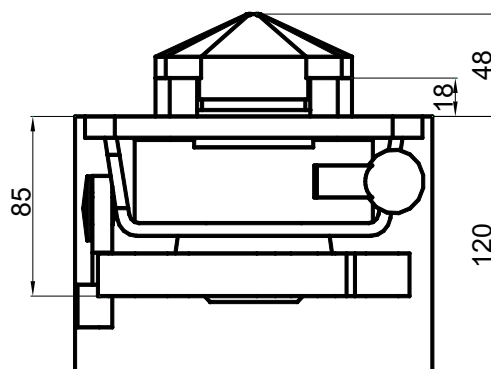
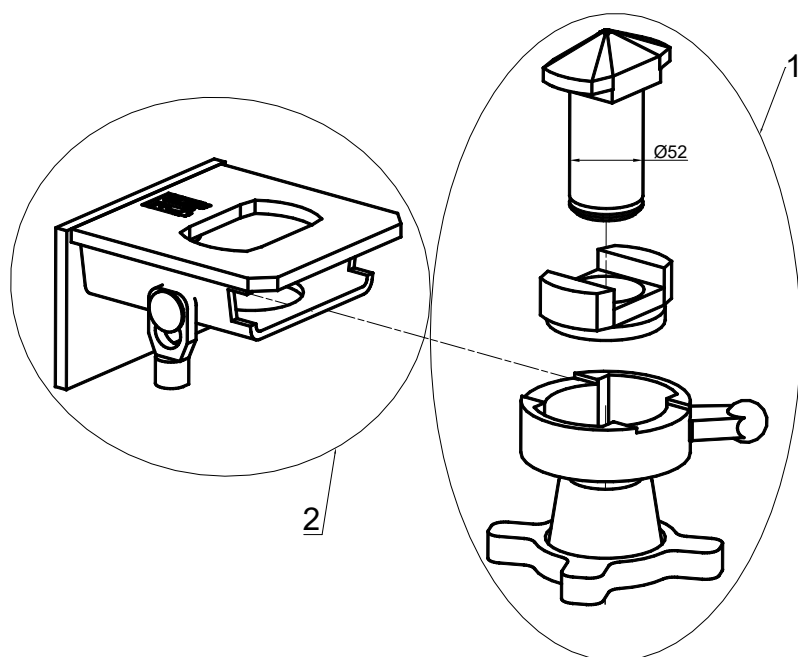
Articolo Code	Pos.	Descrizione Description	Peso Weight kg
50253380		Completo Complete	11,000
50253380/1	1	Parte interna Inside	5,800
50253380/2	2	Parte esterna Outside	5,300





Twist Lock ribassato Ø 52
Twist lock depressed Ø 52

Articolo Code	Pos.	Descrizione Description	Peso Weight kg
52253380		Completo Complete	11,300
52253380/1	1	Parte interna Inside	6,400
52253380/2	2	Parte esterna Outside	4,900





Traversa H=100 con fori per rulli
Crosspiece H=100 with holes for rollers
Art.52253200

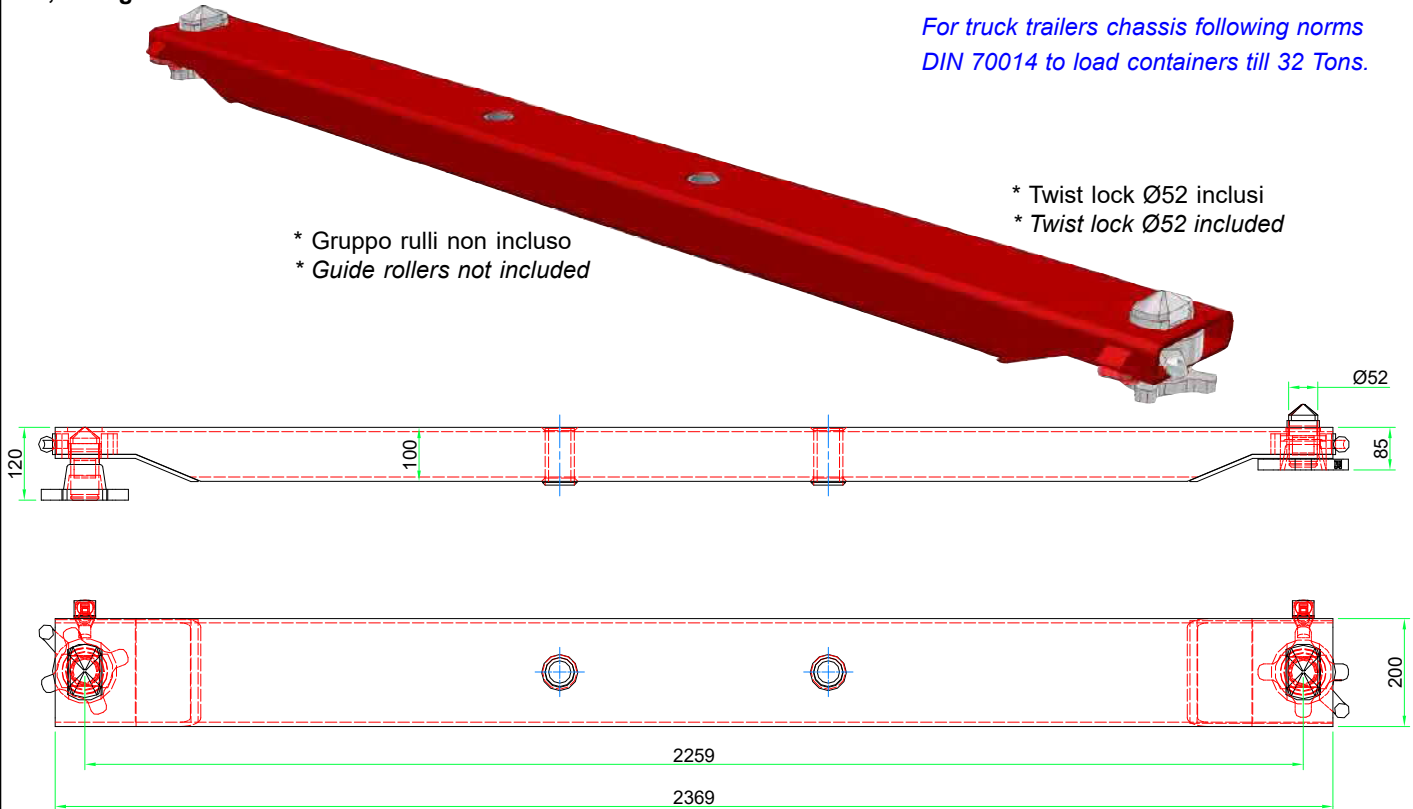
78,000 kg

Per autotelai secondo norme DIN 70014
per trasporto di casse mobili fino a 32 Ton.

For truck trailers chassis following norms
DIN 70014 to load containers till 32 Tons.

* Gruppo rulli non incluso
* Guide rollers not included

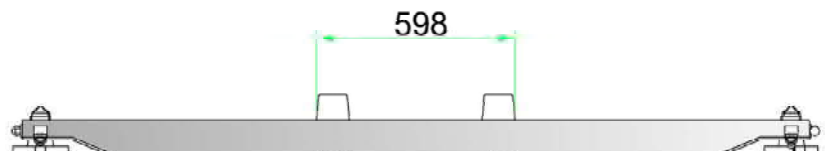
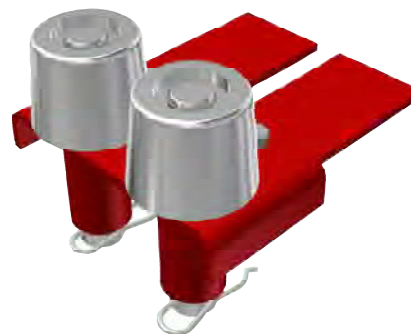
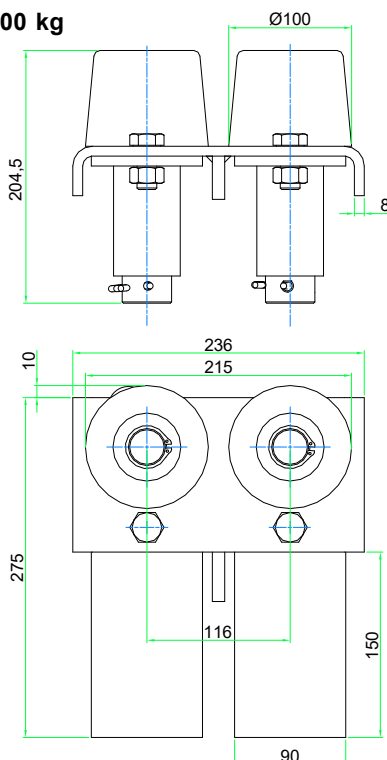
* Twist lock Ø52 inclusi
* Twist lock Ø52 included



Rulli di allineamento Ø100
Guide rollers Ø100

Art.52253201

13,400 kg

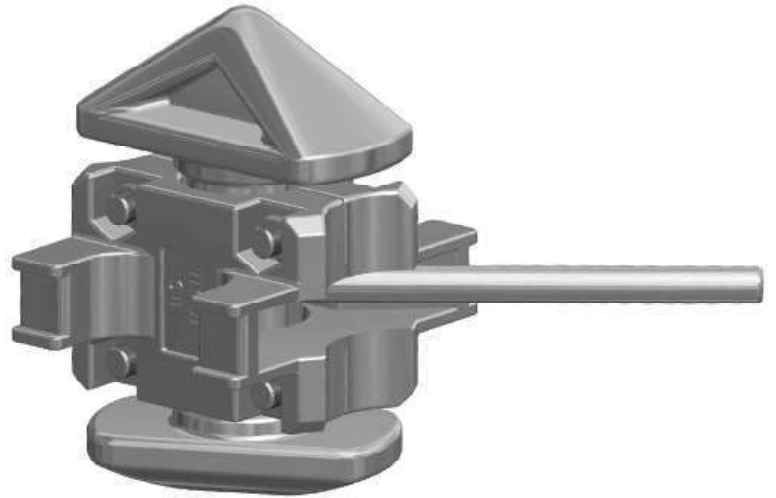
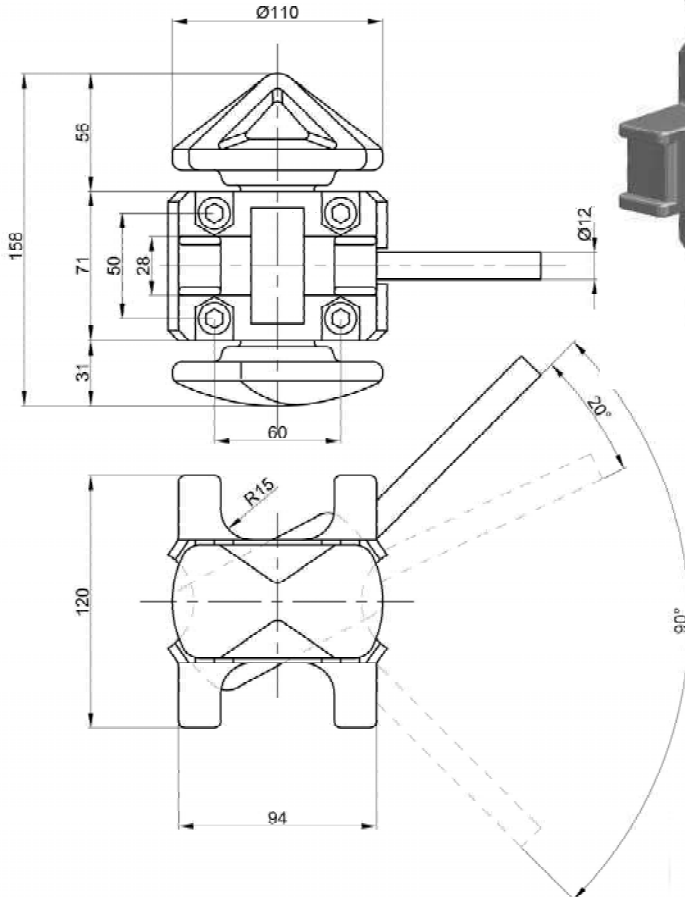




Twist lock zincato a caldo per l'ancoraggio dei conte
Hot galvanized Twist lock lashing system for contain

Art. 50253680

4,560 kg

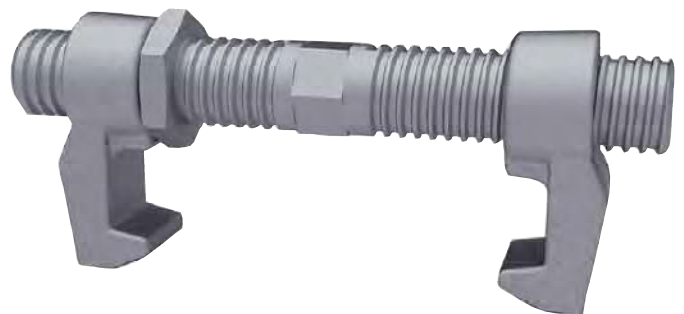
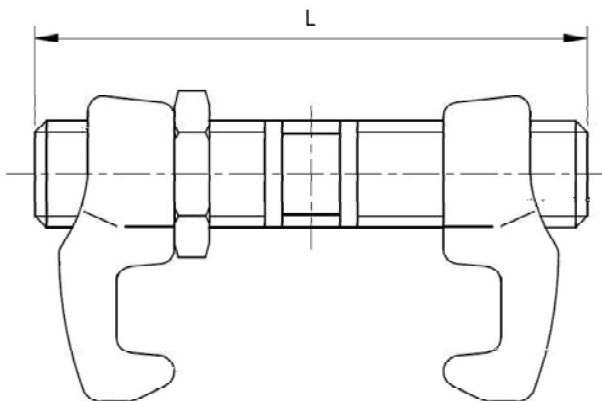


Bridge Fitting zincato

Zinc Plated Bridge Fitting

Art. 50260110 - L.260

Art. 50380110 - L.380

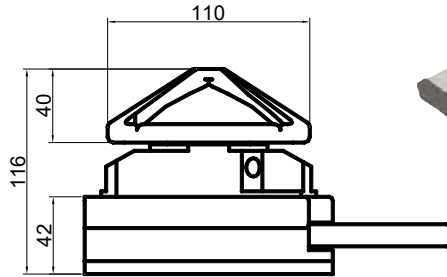
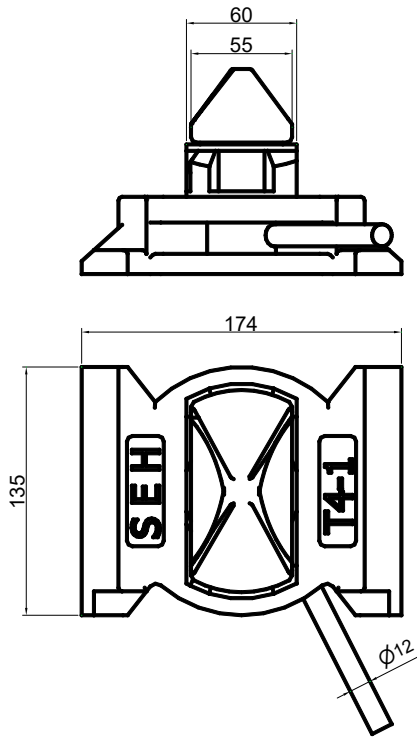




Twist lock base parte superiore zincato a caldo

Hot zinc plated base twist lock upper part

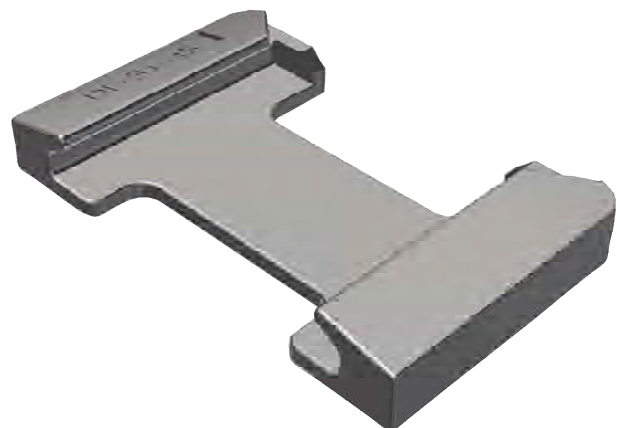
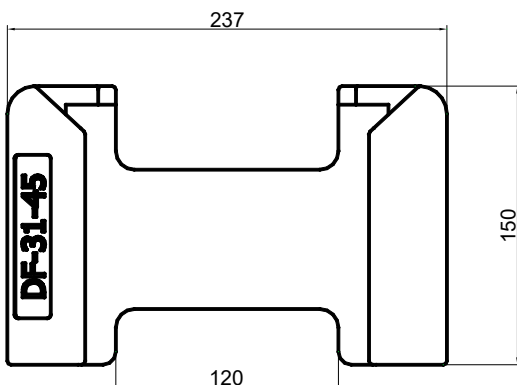
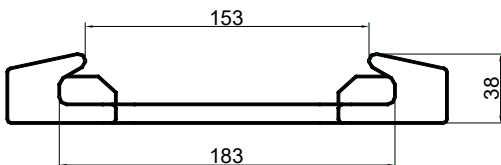
Art.50253780 - 6,400 kg



Twist lock base piastra d'appoggio zincato a caldo

Hot zinc plated base twist lock support plate

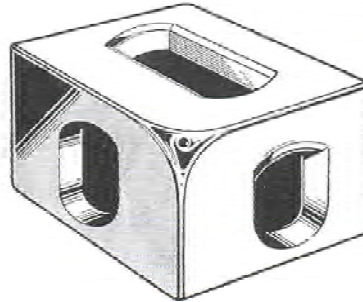
Art.50253785 - 3,575 kg



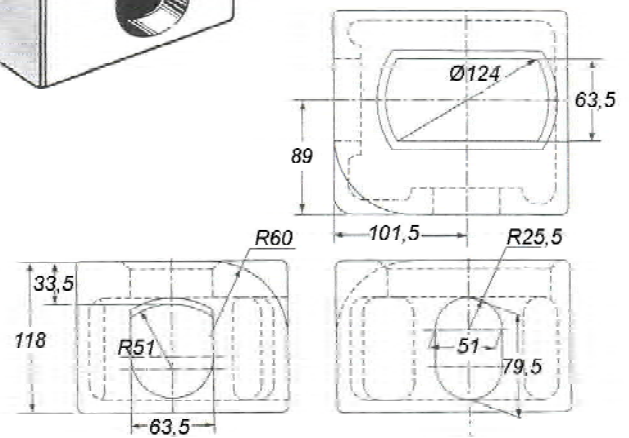
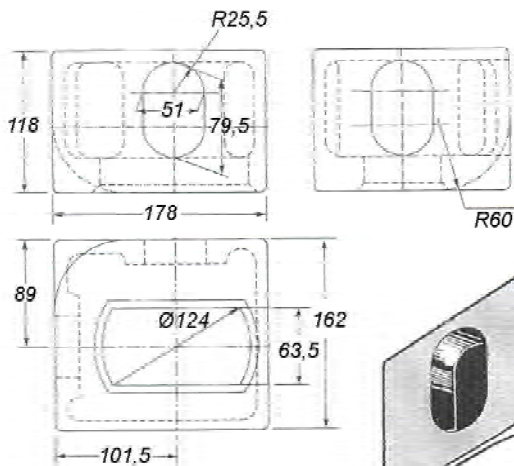
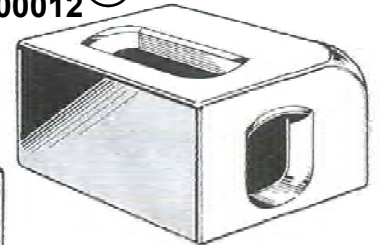


Equipaggiamento blocchi d'angolo a norme ISO 1161 per container
Kit ISO 1161 corner container cast steel
Art.32500010 - 88,000 kg (8 Pcs.)

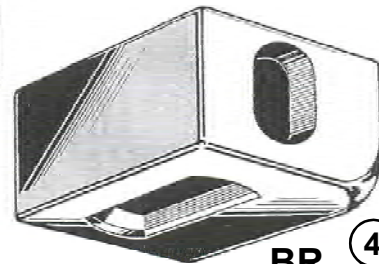
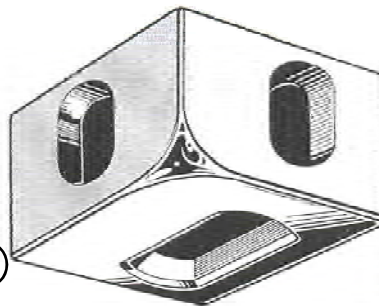
TL ①
Art. 32500011



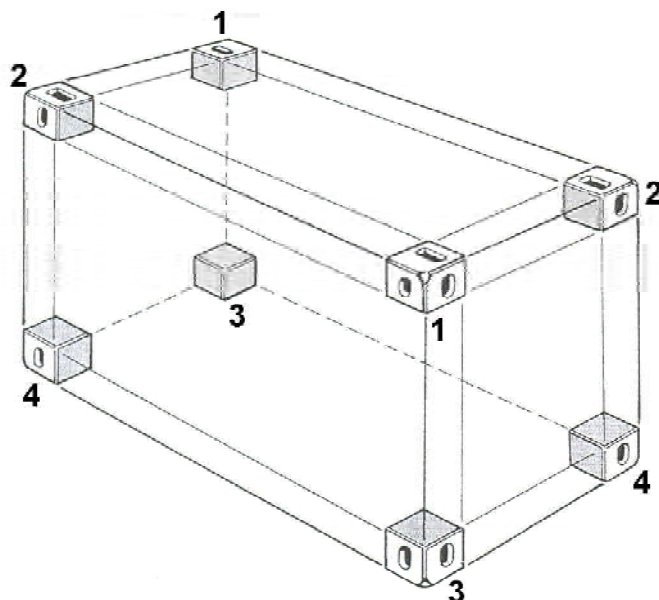
TR ②
Art. 32500012



BL ③
Art. 32500013



BR ④
Art. 32500014





- Cassette
- Profili e guarnizioni in PVC
- Cerniere continue in alluminio
- Taniche acqua
- Montanti per parabiciclette
- Serbatoi

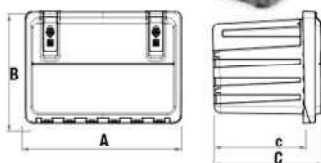
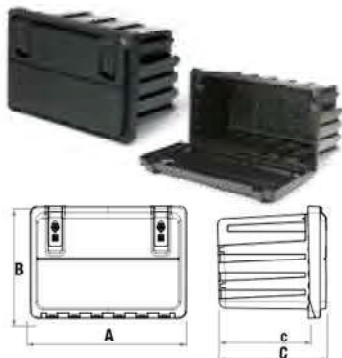
- *Tool boxes*
- *PVC profiles*
- *Alluminium continuous hinge*
- *Water tanks*
- *Paracicle safety guard's*
- *Fuel tanks*

**Cassetta porta attrezzi
Toolbox**



Articolo Article	A	B	C - c	Weight Kg	Maxload Lt	Maxload Kg
49403537	400	350	300-375	3,3	30	30
49503545	500	350	380-455	3,8	46	35
49604047	600	400	400-475	5,7	70	45
49805047	800	500	400-475	7,3	126	55

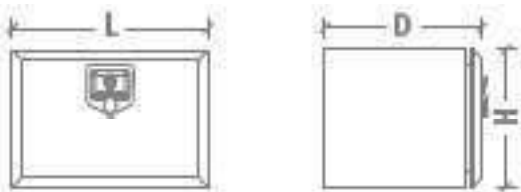
**Cassetta porta attrezzi con nervature di rinforzo
Reinforced Toolbox**



Articolo Article	A	B	C - c	Weight Kg	Maxload Lt	Maxload Kg
49705048	700	500	400-480	6,8	98	50
49105048	1000	500	400-480	9,7	148	70



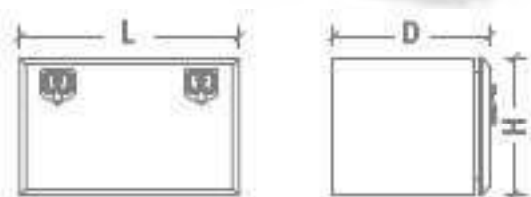
Cassetta porta utensili Inox ad una serratura
Stainless steel tool box with one lock



* Disponibili anche zincate e inox lucido*
* Available also zinc plated and brilliant stainless steel*

Articolo Article	L	H	D
50282855	280	280	550
50403050	400	300	500
50453040	450	300	400
50453240	450	320	400
50454535	450	450	350
50453540	450	350	400
50453550	450	350	500
50454560	450	450	600
50502530	500	250	300
50503030	500	300	300
50503355	500	330	550
50504050	500	400	500
50504551	500	450	500
50603540	600	350	400
50603545	600	350	450
50604035	600	400	350
50604050	600	400	500
50605050	600	500	500
50605060	600	500	600
50674250	670	420	500

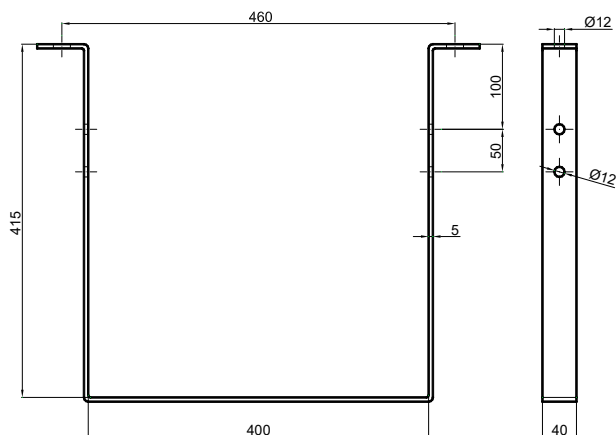
Cassetta porta utensili Inox a due serrature
Stainless steel tool box with two locks



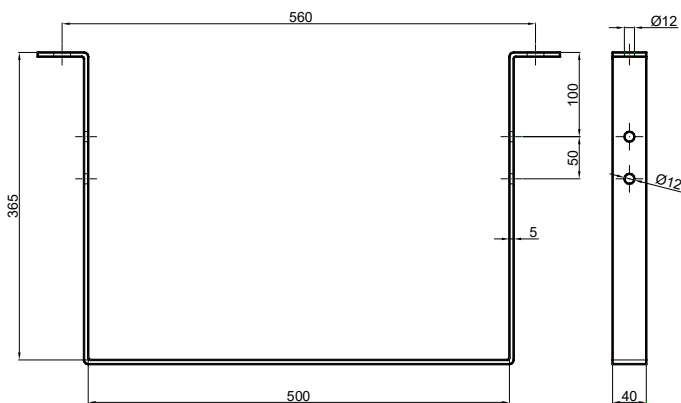
* Disponibili anche zincate e inox lucido*
* Available also zinc plated and brilliant stainless steel*

Articolo Article	L	H	D
50804050	800	400	500
50805050	800	500	500
50805060	800	500	600
50806060	800	600	600
50905060	900	500	600
50906060	900	600	600
51005050	1000	500	500
51005060	1000	500	600
51006060	1000	600	600
51105060	1000	500	600
51205060	1200	500	600
51305060	1300	500	600
51505060	1500	500	600
51506570	1500	650	700

Coppia supporti per cassetta Art.53403735 in polietilene
Couple supports for polyethylene tool box Art.53403735
Art. 53200001 - 3,260 kg



Coppia supporti per cassetta Art.53504530 in polietilene
Couple supports for polyethylene tool box Art.53504530
Art. 53200002 - 3,120 kg



Coppia supporti universali per cassette Inox e zincate
Couple supports for Stainless steel and galvanized tool box
Art. 50200200



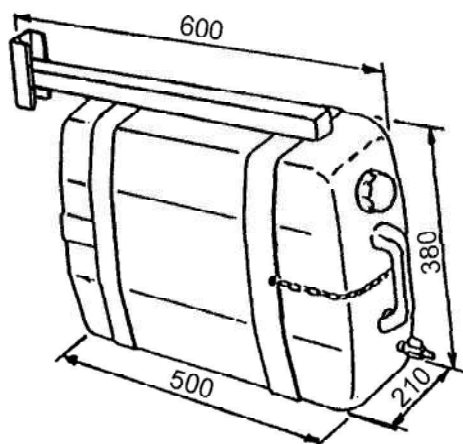


Tanica porta acqua potabile completa di struttura 25 Lt.

Plastic water tank 25 Lt.

Art. 50960100

5,300 kg



Solo Lucchetto con chiave per tanica

Only lock with key for water tank

Art. 50960102



Solo Tanica in plastica 25 Lt.

Only Plastic water tank 25 Lt.

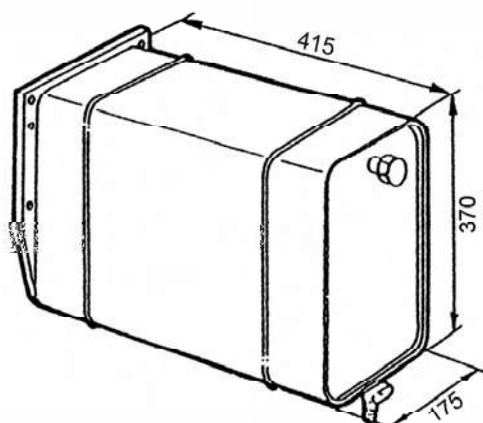
Art. 50961100

Tanica porta acqua potabile in Inox Fiorettato 26 Lt.

Stainless Steel fluoriched water tank 26 Lt.

Art. 50960200

6,300 kg



Semirimorchio e camion frigo • Semi-trailer and refrigerated semi-trailer

Profili realizzati in PVC per le porte posteriori e laterali dei veicoli industriali. Questi tipi di profili vengono realizzati in coestrusione e permettono un facile montaggio. La parte rigida è realizzata in PVC antiurto mentre la parte morbida viene realizzata in PVC gomma in modo da permettere una maggiore elasticità del prodotto anche a basse temperature.

PVC profiles for the back and side doors of industrial vehicles. These profiles are coextruded and are easy to fit. The rigid part is made of shock-resistant PVC while the soft part is made of rubber PVC so as provide greater flexibility even at low temperatures.



Guarnizione in PVC grigia/grigia 18 mm
Grey/grey PVC joint profile 18 mm



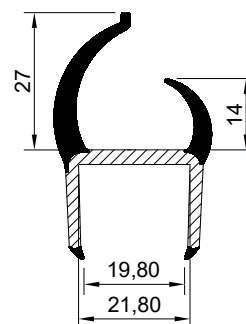
Art. 54185270 L= 2700 mm - 0,880 kg
Art. 54185320 L= 3200 mm - 1,040 kg
Art. 54185500 L= 5000 mm - 1,630 kg



Guarnizione in PVC grigia/grigia 20 mm
Grey/grey PVC joint profile 20 mm



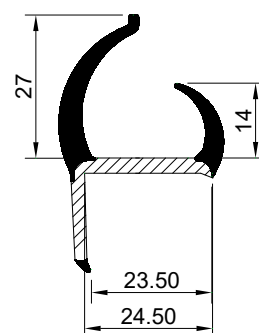
Art. 54085270 L= 2700 mm - 1,090 kg
Art. 54085320 L= 3200 mm - 1,295 kg
Art. 54085500 L= 5000 mm - 2,025 kg



Guarnizione in PVC grigia/grigia 20 mm
Grey/grey PVC joint profile 20 mm



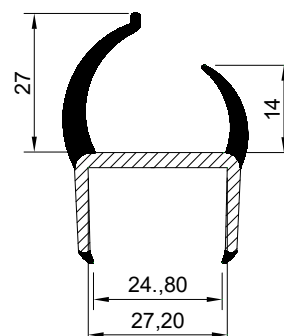
Art. 54082270 L= 2700 mm - 1,090 kg
Art. 54082320 L= 3200 mm - 1,295 kg
Art. 54082500 L= 5000 mm - 2,025 kg



Guarnizione in PVC grigia/grigia 25 mm
Grey/grey PVC joint profile 25 mm



Art. 54084270 L= 2700 mm - 1,215 kg
Art. 54084320 L= 3200 mm - 1,440 kg
Art. 54084500 L= 5000 mm - 2,250 kg

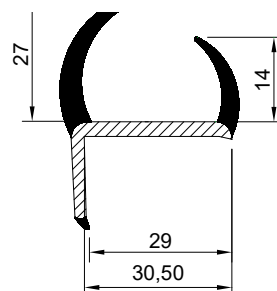




Guarnizione in PVC grigia/grigia 25 mm
Grey/grey PVC joint profile 25 mm



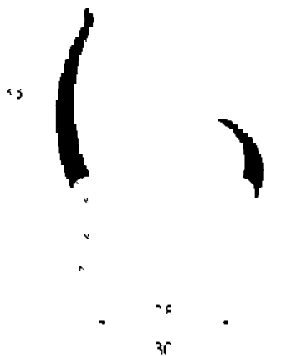
Art. 54080270 L= 2700 mm - 1,215 kg
Art. 54080320 L= 3200 mm - 1,440 kg
Art. 54080500 L= 5000 mm - 2,250 kg



Guarnizione in PVC grigia/grigia 30 mm
Grey/grey PVC joint profile 30 mm



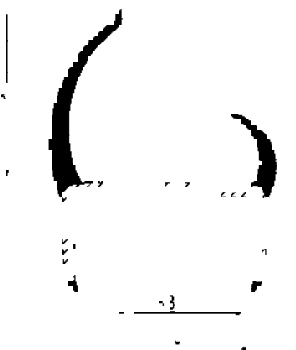
Art. 54081270 L= 2700 mm - 1,300 kg
Art. 54081320 L= 3200 mm - 1,540 kg
Art. 54081500 L= 5000 mm - 2,405 kg



Guarnizione in PVC grigia/grigia 35 mm
Grey/grey PVC joint profile 35 mm



Art. 54381270 L= 2700 mm - 1,323 kg
Art. 54381320 L= 3200 mm - 1,568 kg
Art. 54381500 L= 5000 mm - 2,450 kg



Guarnizione in PVC grigia/grigia 40 mm
Grey/grey PVC joint profile 40 mm



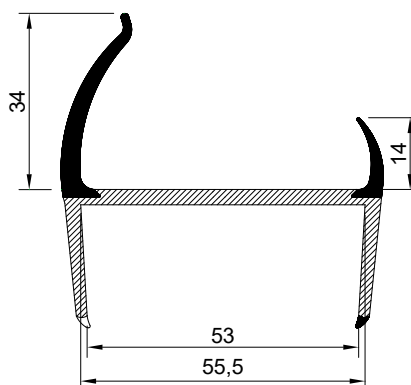
Art. 54083270 L= 2700 mm - 1,350 kg
Art. 54083320 L= 3200 mm - 1,600 kg
Art. 54083500 L= 5000 mm - 2,500 kg



Guarnizione in PVC grigia/grigia 55 mm
Grey/grey PVC joint profile 55 mm



Art. 54086270 L= 2700 mm - 1,350 kg
Art. 54086320 L= 3200 mm - 1,600 kg
Art. 54086500 L= 5000 mm - 2,500 kg





Profili per camion frigo • Profiles for refrigerated body

Profili per porte realizzati in PVC gomma. Hanno la particolarità di mantenere la propria elasticità anche alle basse temperature. Indicati per veicoli frigo. I profili sono coestrusi quindi la parte rigida permette un notevole risparmio di tempo sia nel taglio che nel montaggio. I profili angolari sono realizzati in PVC antiurto.

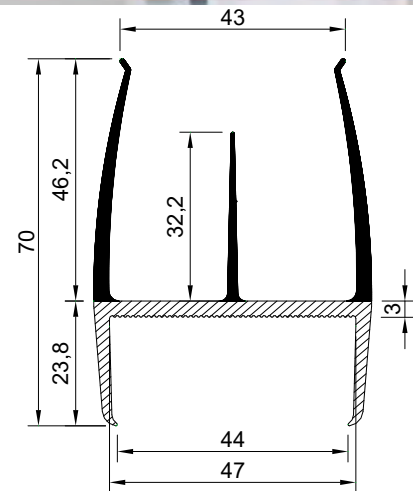
Rubber PVC door profiles: their main feature is the elasticity even at low temperatures. They are particularly suitable for the refrigerated body. These profile are coextruded: so, the rigid part allows a considerable time-saving both during the cutting and the fitting. The corner profile are manufactured in stock-resistant PVC.



Guarnizione in PVC grigia/grigia 45 mm
Grey/grey PVC joint profile 45 mm



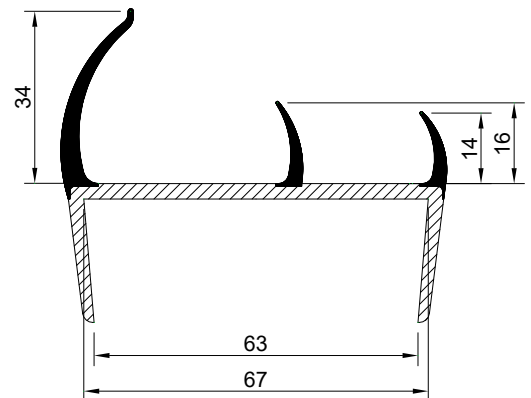
- Art. 54087270** L= 2700 mm - 1,300 kg
- Art. 54087320** L= 3200 mm - 1,550 kg
- Art. 54087500** L= 5000 mm - 2,450 kg



Guarnizione in PVC grigia/grigia 65 mm
Grey/grey PVC joint profile 65mm



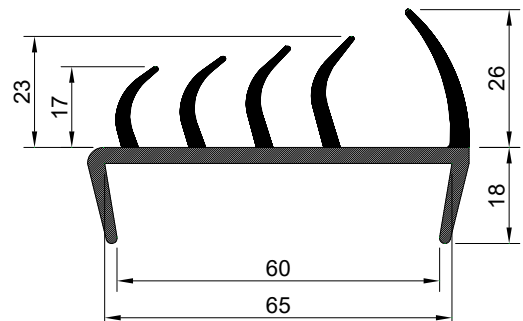
- Art. 54652700** L= 2700 mm - 1,620 kg
- Art. 54653200** L= 3200 mm - 1,920 kg
- Art. 54655000** L= 5000 mm - 3,000 kg



Guarnizione in PVC nera/nera 65 mm
Black/black PVC joint profile 65mm



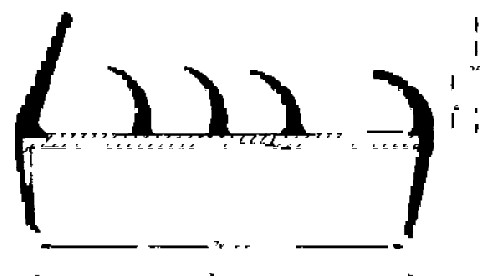
- Art. 54652455** L= 5000 mm - 3,000 kg



Guarnizione in PVC grigia/grigia 80 mm
Grey/grey PVC joint profile 80 mm



- Art. 54800270** L= 2700 mm - 1,890 kg
- Art. 54800320** L= 3200 mm - 2,880 kg
- Art. 54800500** L= 5000 mm - 4,500 kg



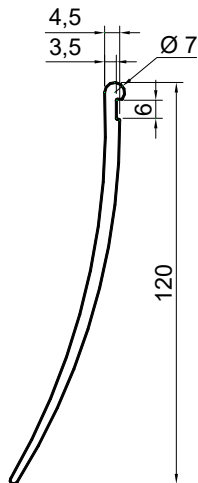


Profilo PVC con pallino Ø7 liscio
PVC profile with Ø7 smooth shot

Art. 54372012/G Grigio - Grey

Art. 54372012/N Nero - Black

0,750 kg/Mt.

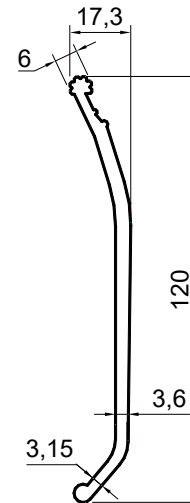


Profilo PVC con pallino Ø6 zigrinato
PVC profile with Ø6 knurled shot

Art. 54372013/G Grigio - Grey

Art. 54372013/N Nero - Black

0,750 kg/Mt.



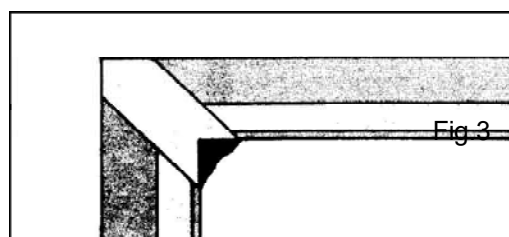
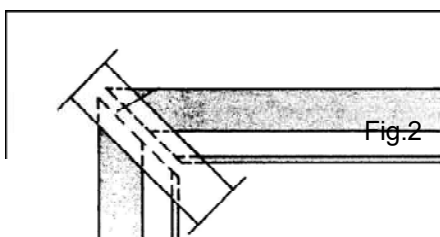
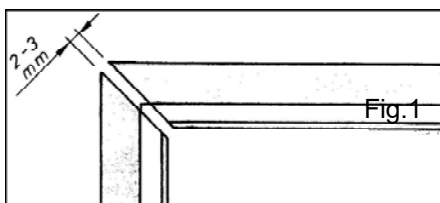
Piattino angolare in PVC nero
Black PVC flexible lips

Art. 54092100/N



Piattino angolare in PVC grigio
Grey PVC flexible lips

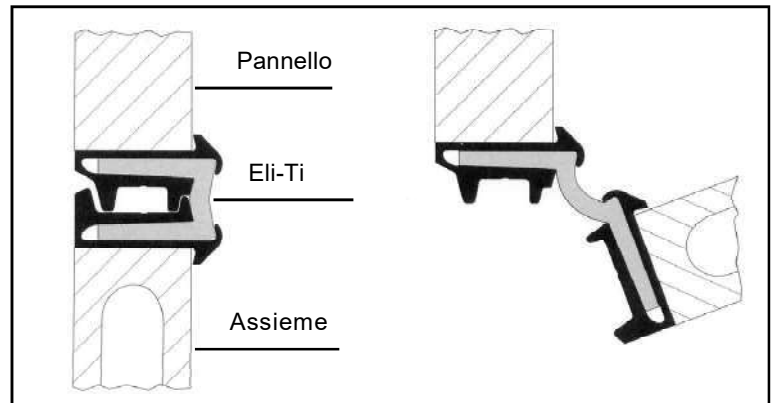
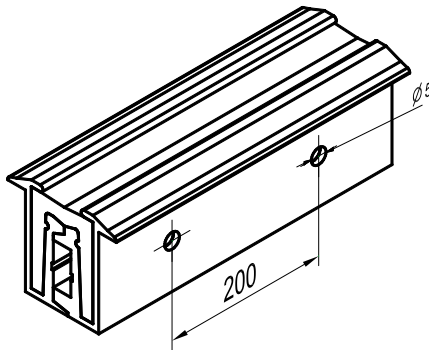
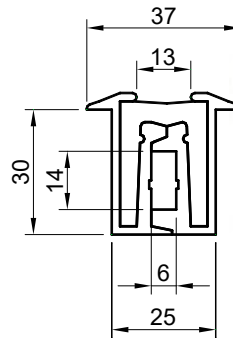
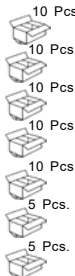
Art. 54092100/G





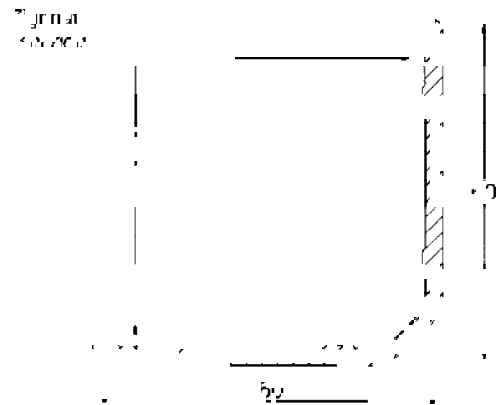
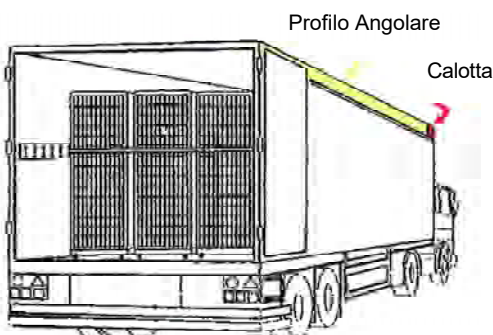
Cerniera continua in alluminio anodizzato forata tipo "Eli-Ti" 29/180°
Anodized aluminium continuous hinge with holes type "Eli-Ti" 29/180°

- Art. 54631240** L= 2000 mm - 2,960 kg
- Art. 54631242** L= 2200 mm - 3,256 kg
- Art. 54631244** L= 2400 mm - 3,550 kg
- Art. 54631245** L= 2500 mm - 3,700 kg
- Art. 54631247** L= 2700 mm - 3,996 kg
- Art. 54631430** L= 3000 mm - 4,440 kg
- Art. 54631440** L= 4000 mm - 5,920 kg



Profilo Angolare in ABS bianco
Abs profile Corner white

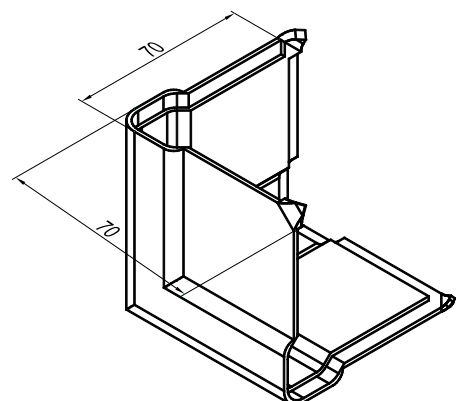
Art. 54652461 L= 5000 mm



Calotta angolare PVC rigido bianco
PVC Corner cap white

Art. 55264100

0,060 kg



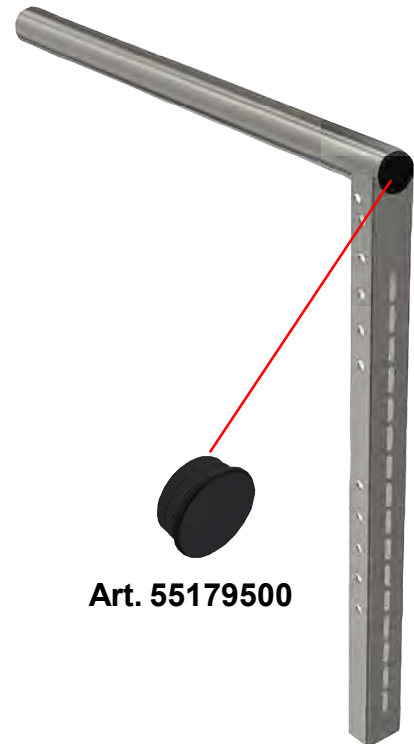
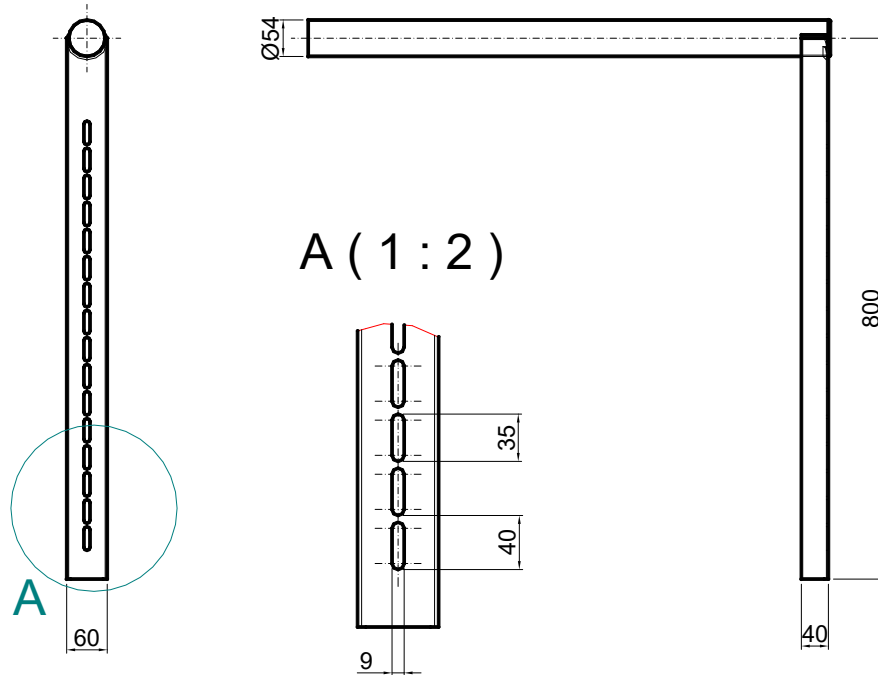


Parabicycle fisso

Fixed paracicle safety guard

Art. 59900055 Zincato - Zinc plated

4,000 kg



Art. 55179500

Montante per parabicycle piccolo

Small Paracicle safety guard

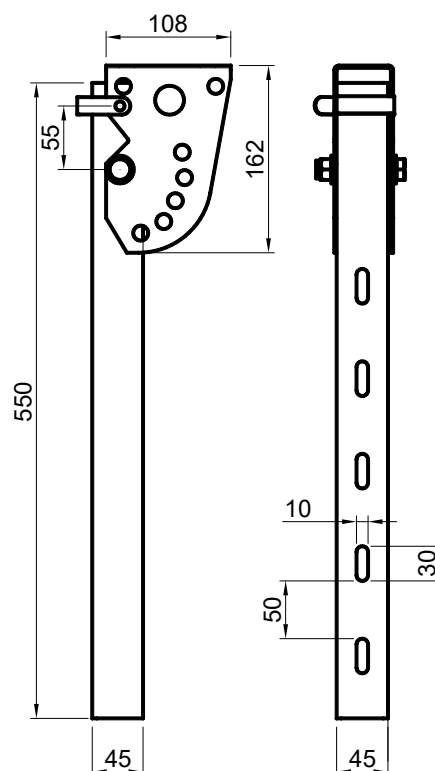
Art. 57900055 Zincato - Zinc plated

Art. 57900155 Zincato a caldo - Hot Galvanized

1,650 kg



10 Pcs.



Ricambio Perno tipo A

Spare Pin A type

Art. 57900055/1



Ricambio Perno tipo B

Spare Pin B type

Art. 57900055/2

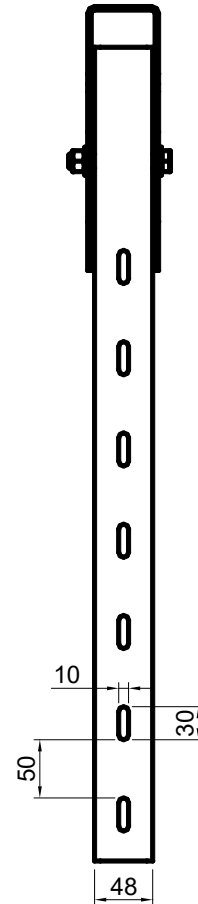
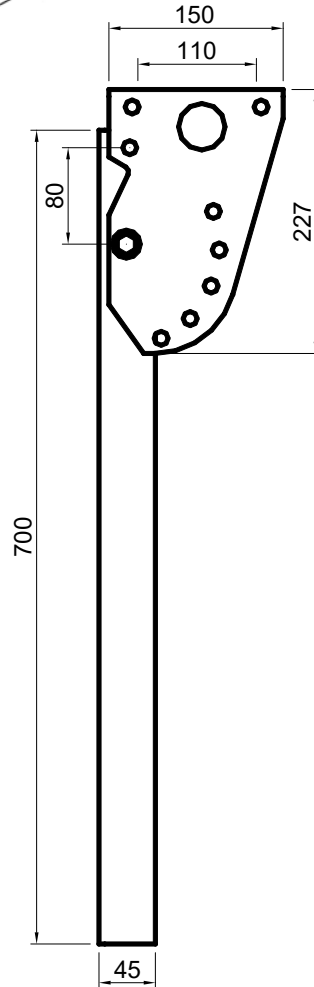




Montante completo per parabiciclette
Paracicle safety guard



Articolo Article	Trattamento Treatment	Weight kg
58900055	Zincato <i>Zinc plated</i>	3,450
58900155	Zincato a caldo <i>Hot galvanized</i>	3,450
58900355	Inox <i>Stainless steel</i>	2,380



Ricambi Sacchetto kit accessori

Spare part Kit fittings

Art. 58914055 - 0,260 kg





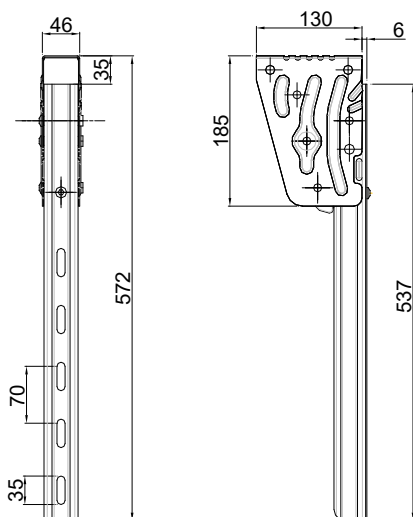
Montante per parabicilette aggancio rapido **H.572**

Rapid paracicle safety guard H.572

Art. 57700155 Pre-zincato a caldo - *Pre-Hot Galvanized*

Art. 57700210 Inox - *Stainless steel*

1,500 kg



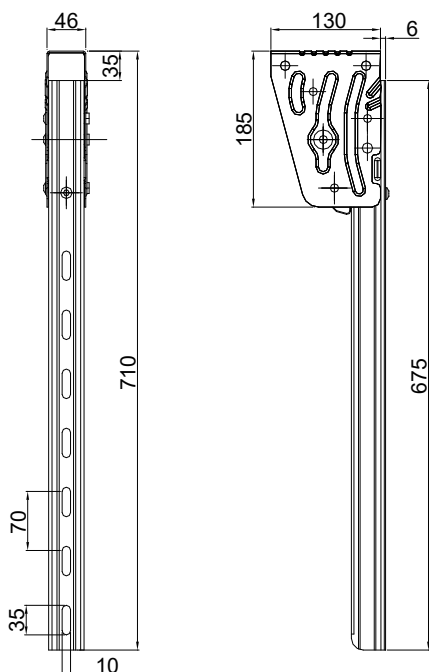
Montante per parabicilette aggancio rapido **H.710**

Rapid paracicle safety guard H.710

Art. 58800155 Pre-zincato a caldo - *Pre-Hot Galvanized*

Art. 58800210 Inox - *Stainless steel*

1,570 kg



Art. 58800155/1

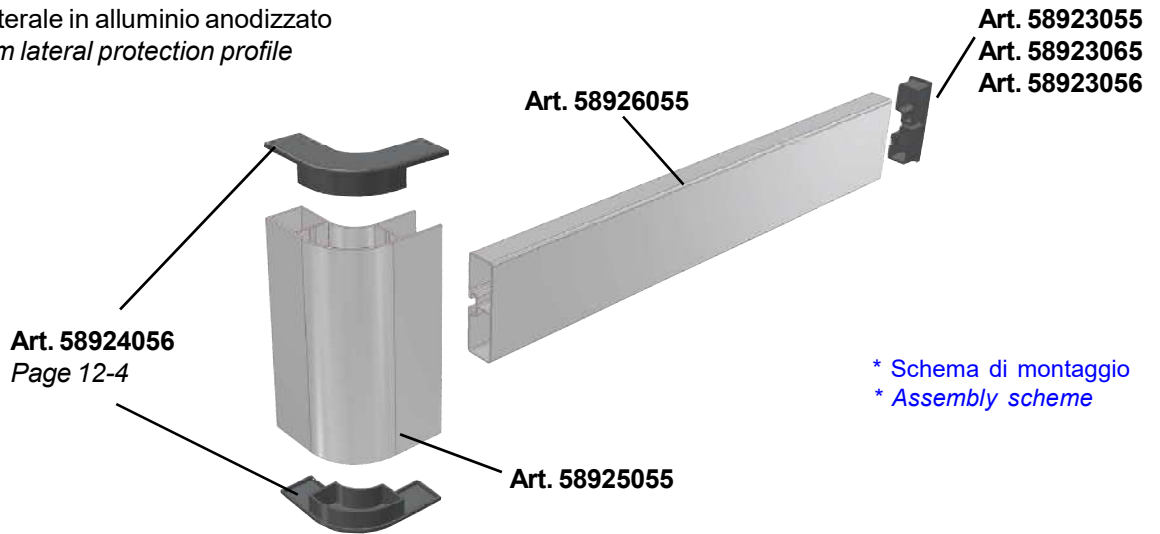


Ø12L.65

Art. 58800155/2



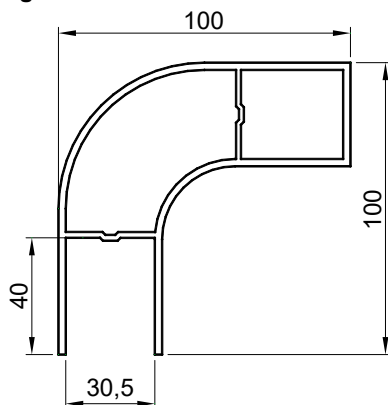
Profili protezione laterale in alluminio anodizzato
Anodized Aluminium lateral protection profile



Profili ad angolo lunghezza 3 Mt.
Corner profile length 3 Mt.

Art. 58925055

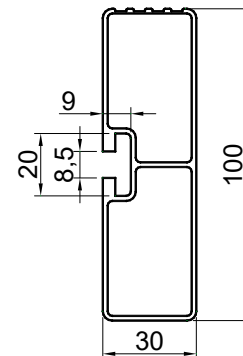
6,100 kg



Profili diritto lunghezza 3 Mt.
Straight profile Length 3 Mt.

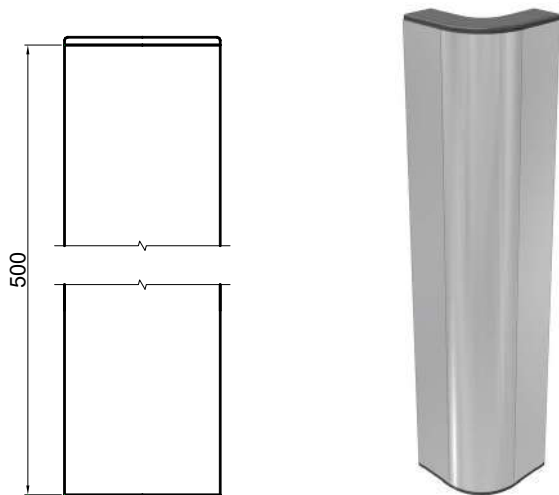
Art. 58926055/3000

4,375 kg



Profili ad angolo lunghezza 500 mm completo di tappi
Length 500 mm Corner profile with caps

Art. 58925055/1 - 1,050 kg



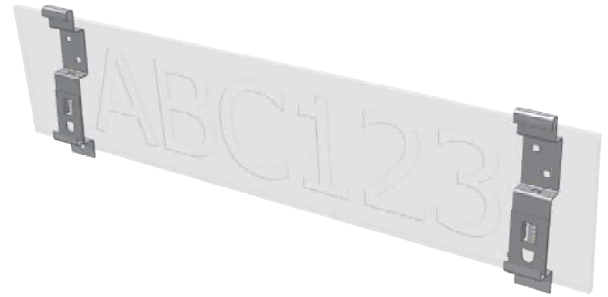
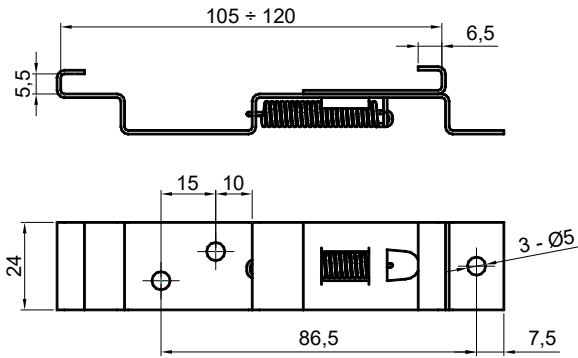


Porta targa estraibile a molla in inox

Stainless steel hands plate

Art. 59100110

0,030 kg



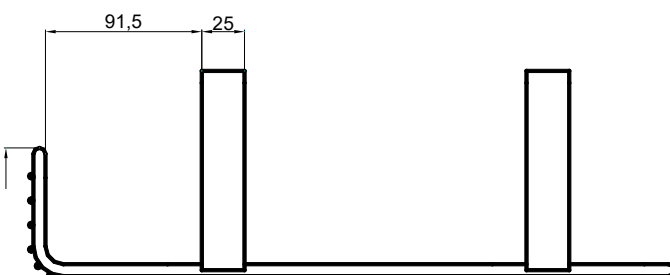
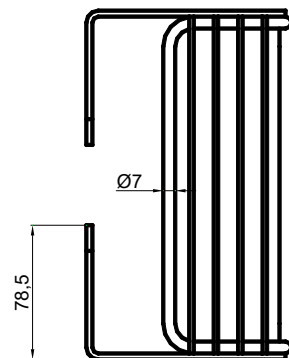
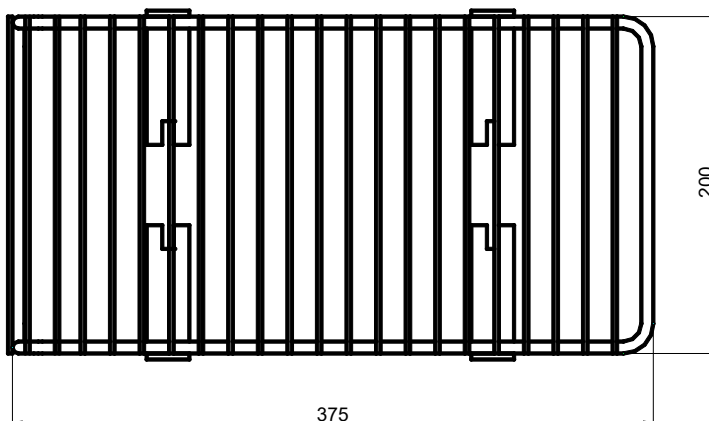
Griglia zincata di protezione fanali posteriori new Daily

Zinc plated tail-light fender for new Daily

Art. 56365200

0,970 kg

16 Pcs.





Antifurto serbatoio zincato Ø105
Zinc plated Anti-theft cap diesel Ø105

Art. 59105800

0,620 kg

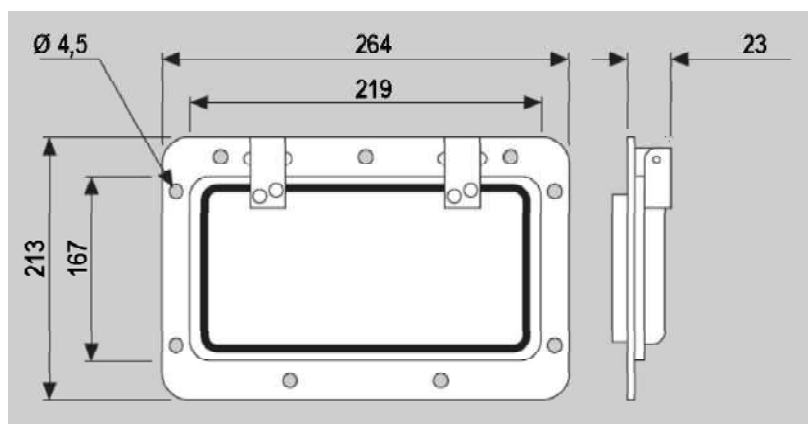
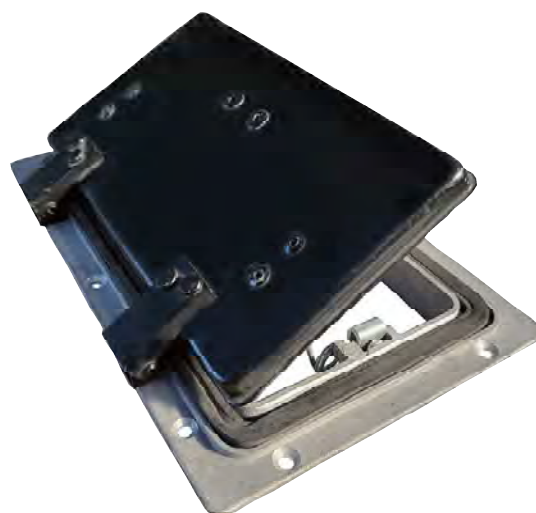


H	Ø	KG
190	80	0,62

Aeratore da tetto Alluminio/Acciaio verniciato nero
Rooftop aerator Aluminium alloy powder coating/Steel

Art. 59215265

0,870 kg





- Tappi centina PVC
- Batticolpi, paracolpo in gomma
- Supporti parafango
- Parafanghi
- Guidovie ganci carne e supporti
- Ganci carne
- Sollevatori per paratie

- *Black PVC and caps*
- *Rubber buffers*
- *Wing fixing brackets*
- *Mudguards*
- *Rails and support for meat hooks*
- *Meat hooks*
- *Lifting and sliding system for partition wa*

12

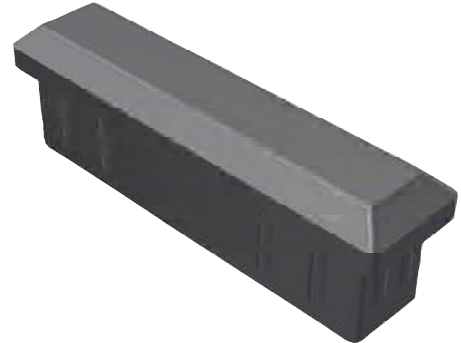
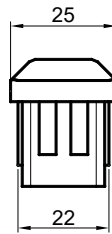
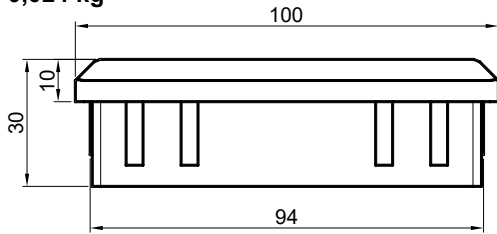


Tappo asta centina in PVC vuoto

Black PVC cap for rod hoop

Art. 55150100

0,024 kg

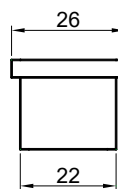
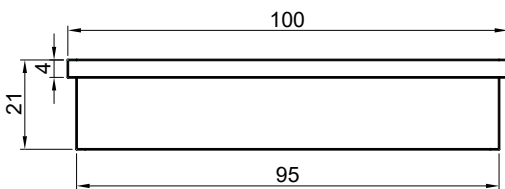


Tappo asta centina in gomma

Black rubber cap for rod hoop

Art. 55160100

0,070 kg

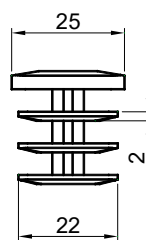
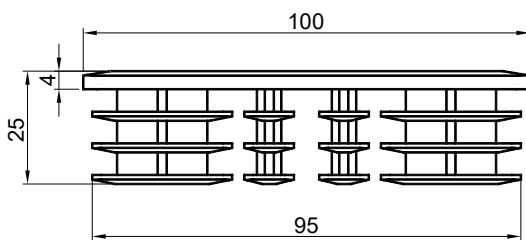


Tappo asta centina in gomma

Black rubber cap for rod hoop

Art. 55170100

0,021 kg

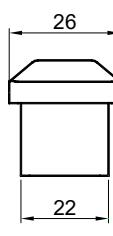
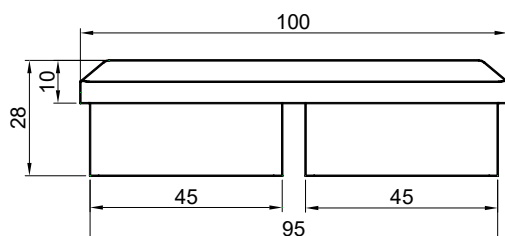


Tappo asta centina rinforzata in gomma

Black rubber cap for strengthened rod hoop

Art. 55190100

0,021 kg





Tappo PVC profilo alluminio

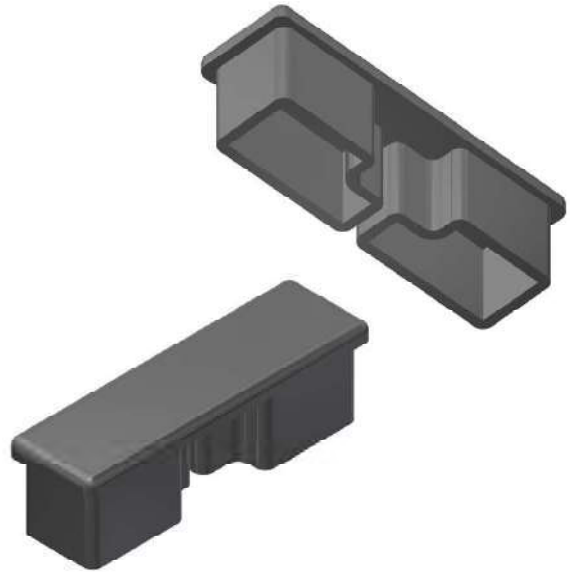
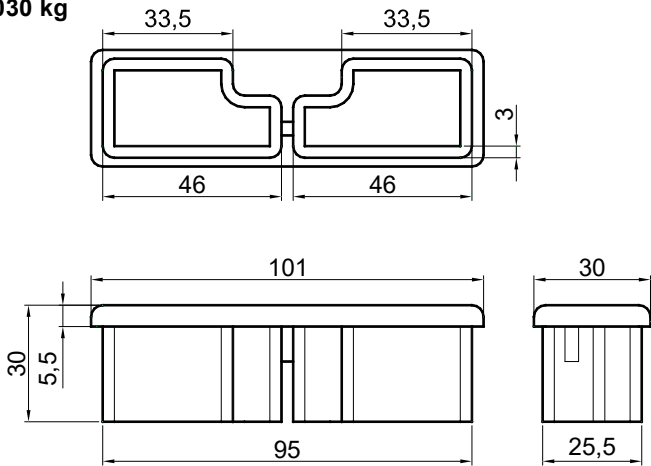
Black PVC cap

Art. 58923055

0,030 kg



100 Pcs.



Tappo in gomma profilo alluminio

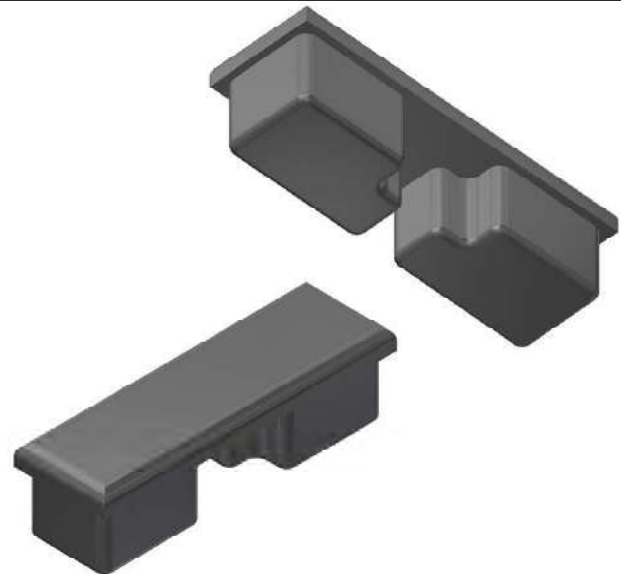
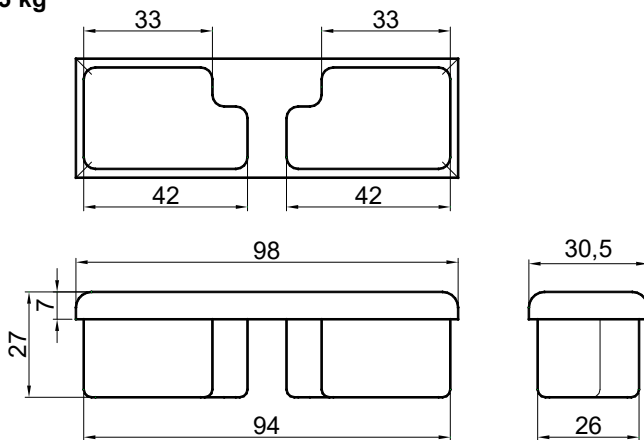
Black rubber cap

Art. 58923065

0,075 kg



100 Pcs.



Tappo PVC con perni

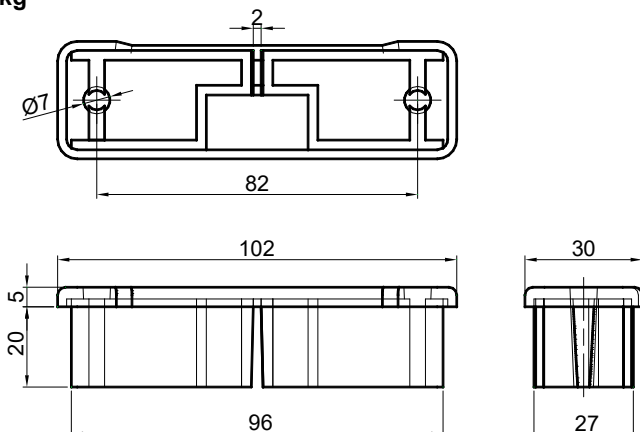
Black PVC cap with pins

Art. 58923056

0,030 kg



100 Pcs.



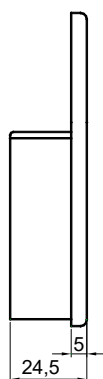
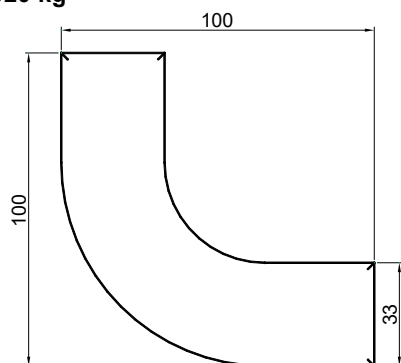


Tappo d'angolo in PVC

Black PVC corner cap

Art. 58924055

0,020 kg

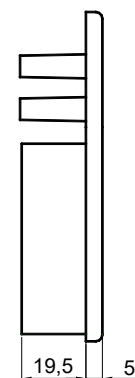
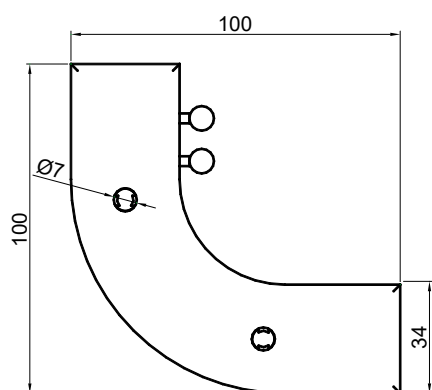


Tappo d'angolo in PVC con perni

Black PVC corner cap with pins

Art. 58924056

0,020 kg

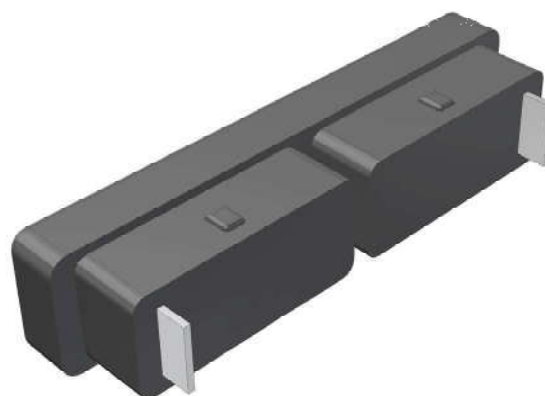
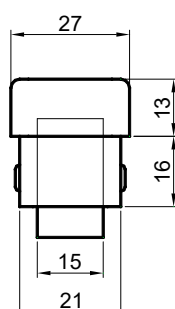
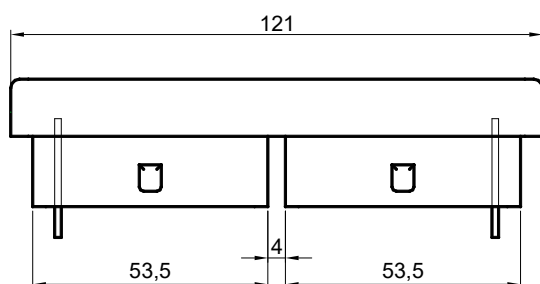


Tappo in gomma a doppia camera e alette metalliche

Rubber cap with double chamber and iron fixed wing

Art. 58923075

0,110 kg





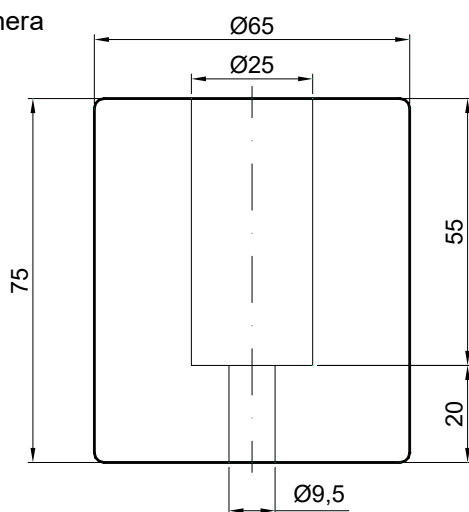
Tampone paracolpi cilindrico in gomma nera
Black rubber cylindrical buffer

Art. 55007565

0,340 kg



50 Pcs.



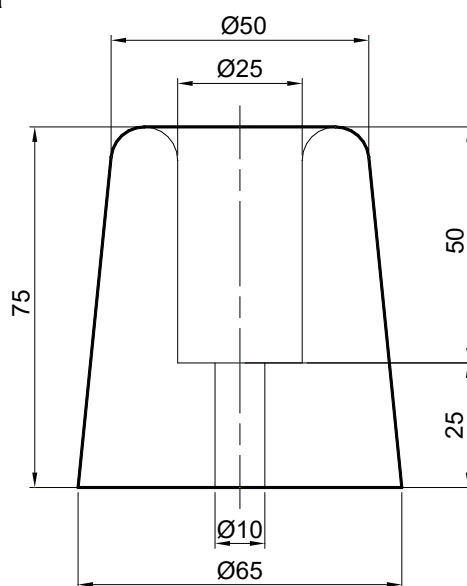
Tampone paracolpi conico in gomma nera
Black rubber conical buffer

Art. 55006575

0,230 kg



50 Pcs.



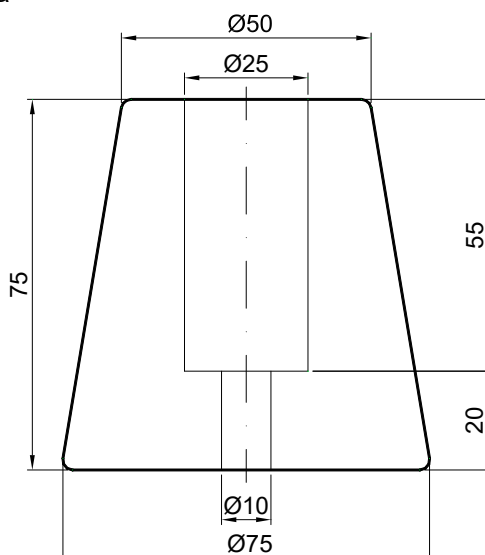
Tampone paracolpi conico in gomma nera
Black rubber conical buffer

Art. 55007575

0,310 kg



30 Pcs.

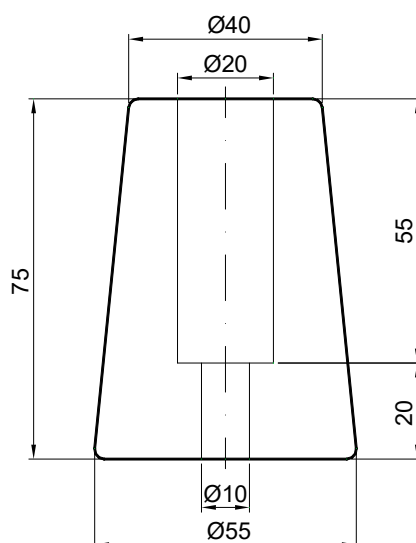




Tampone paracolpi conico in gomma
Black rubber conical buffer

Art. 55005575

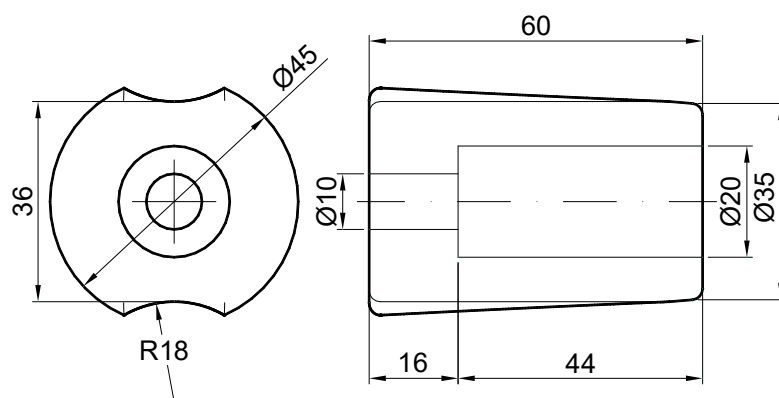
0,170 kg



Tampone paracolpi conico con smussi in gomma
Black rubber conical buffer with bevel

Art. 55003541

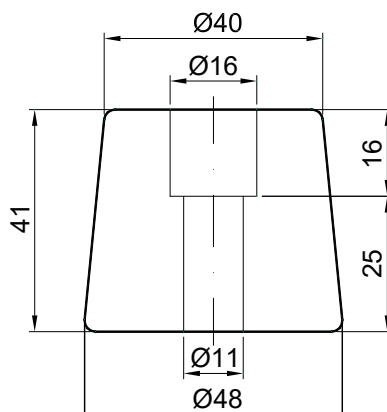
0,090 kg



Tampone paracolpi conico in gomma
Black rubber conical buffer

Art. 55424809

0,080 kg





Tampone paracolpi in gomma nera

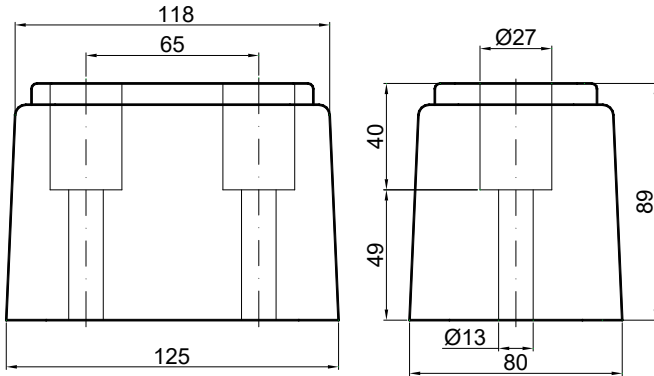
Black rubber buffer

Art. 55120075

0,865 kg



30 Pcs.



Tampone paracolpi in gomma nera

Black rubber buffer

Art. 55120080

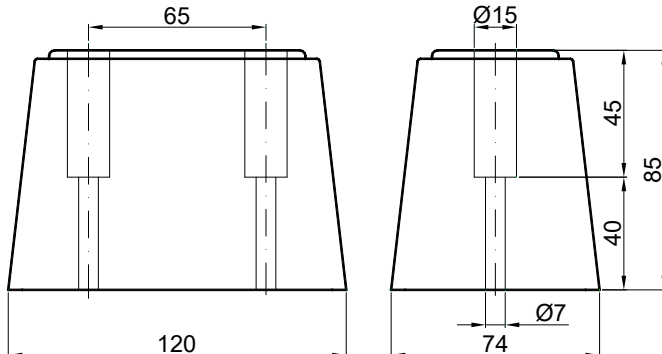
0,865 kg



30 Pcs.

*solo su ordinazione

*only by order



Tampone paracolpi in gomma nera

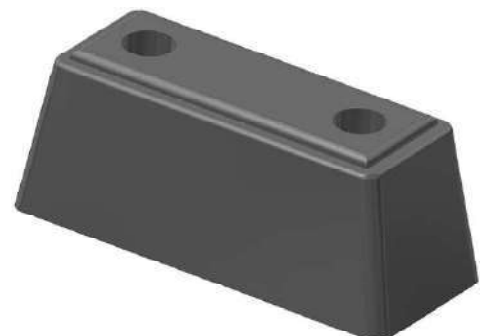
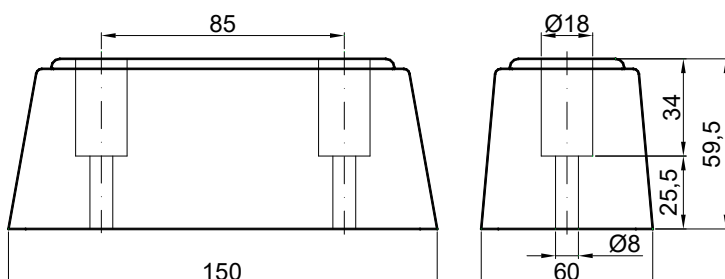
Black rubber buffer

Art. 55200118

0,625 kg



65 Pcs.



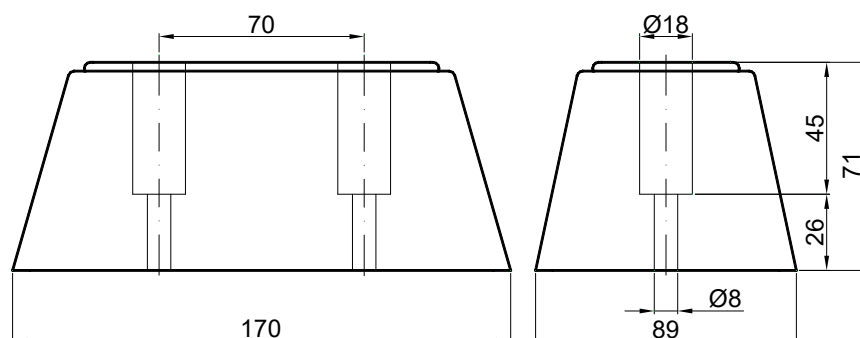


Tampone paracolpi in gomma nera

Black rubber buffer

Art. 55200215

1,090 kg

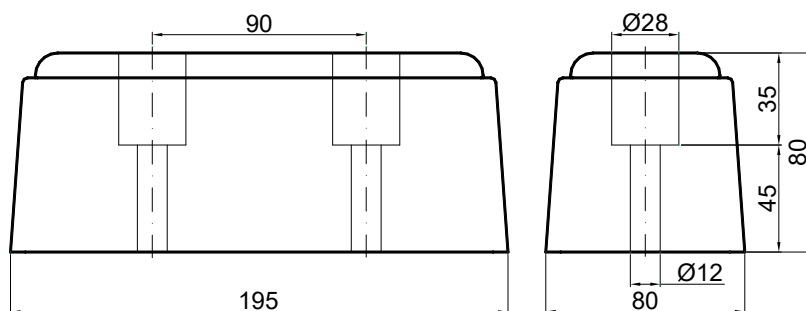


Tampone paracolpi in gomma nera

Black rubber buffer

Art. 55200800

1,240 kg



Tampone paracolpi in gomma nera

Black rubber buffer

Art. 55215505

0,575 kg





Tampone paracolpi in gomma nera

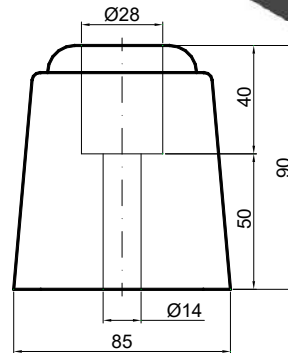
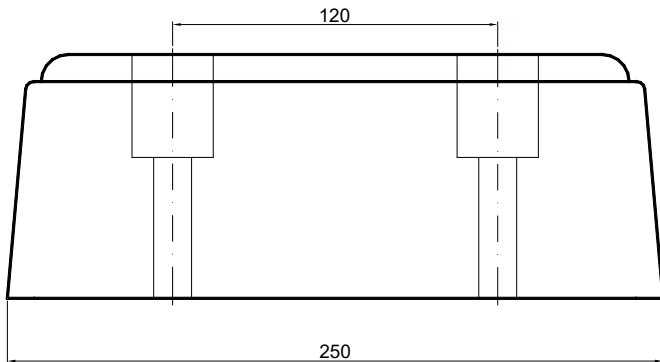
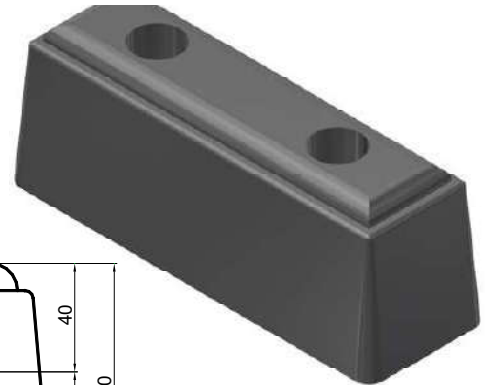
Black rubber buffer

Art. 55200245

1,895 kg



18 Pcs.



Tampone paracolpi in gomma nera

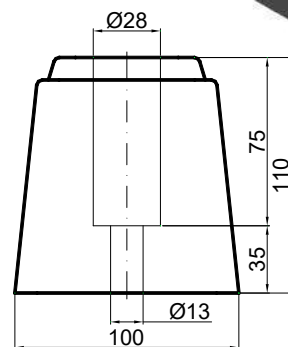
Black rubber buffer

Art. 55200358

3,700 kg



8 Pcs.



Tampone paracolpi in gomma nera

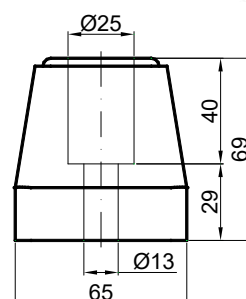
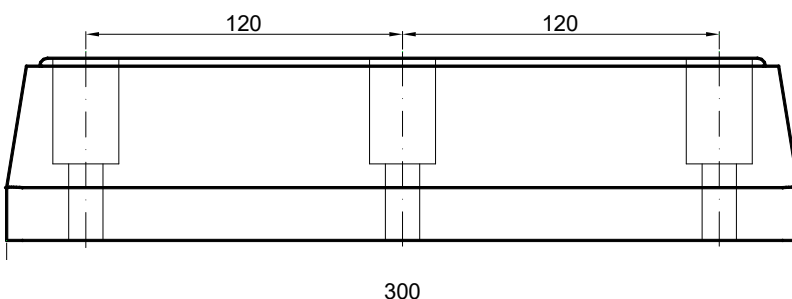
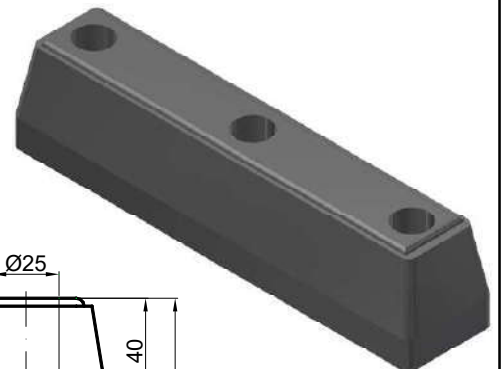
Black rubber buffer

Art. 55307065

1,715 kg



15 Pcs.



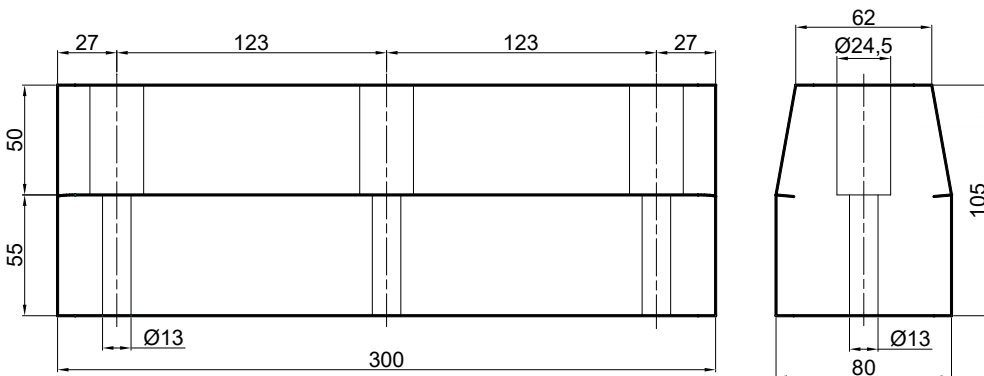
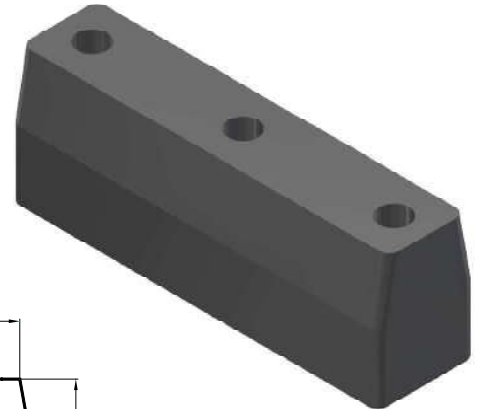


Tampone paracolpi in gomma nera

Black rubber buffer

Art. 55300800

3,015 kg

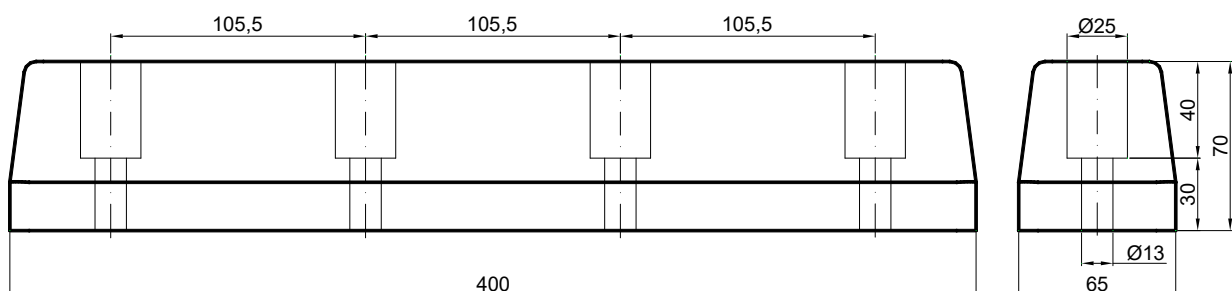


Tampone paracolpi in gomma nera

Black rubber buffer

Art. 55200594

2,195 kg



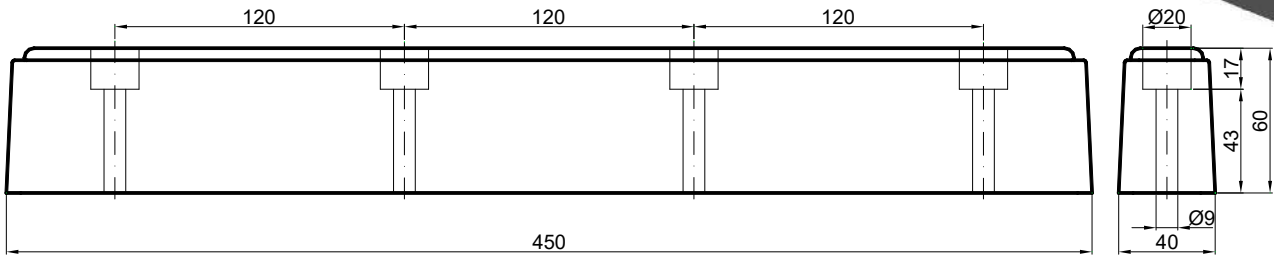
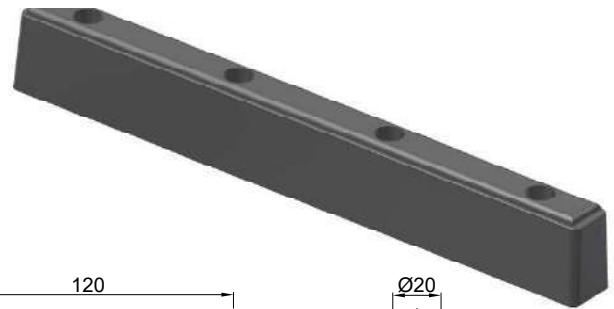


Tampone paracolpi in gomma nera

Black rubber buffer

Art. 55045040

1,415 kg

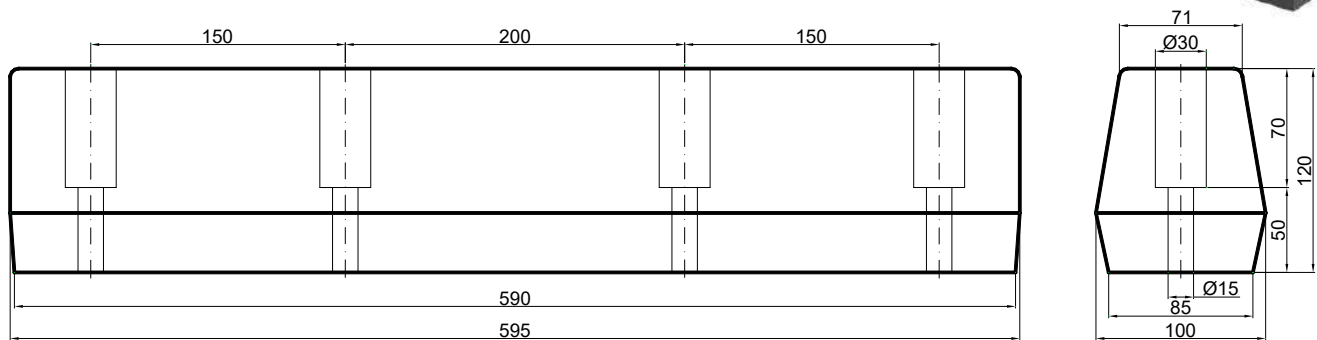
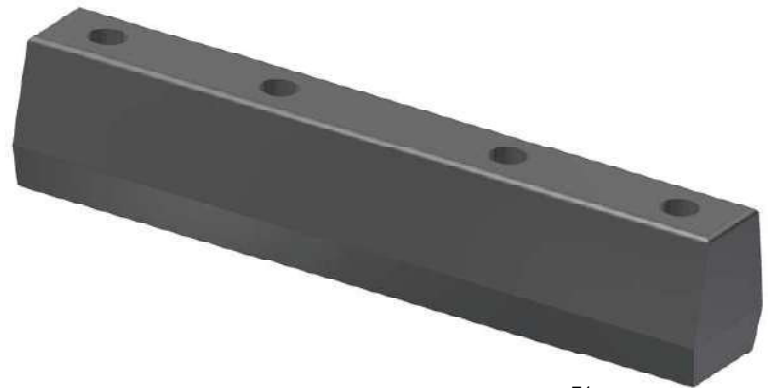


Tampone paracolpi in gomma nera

Black rubber buffer

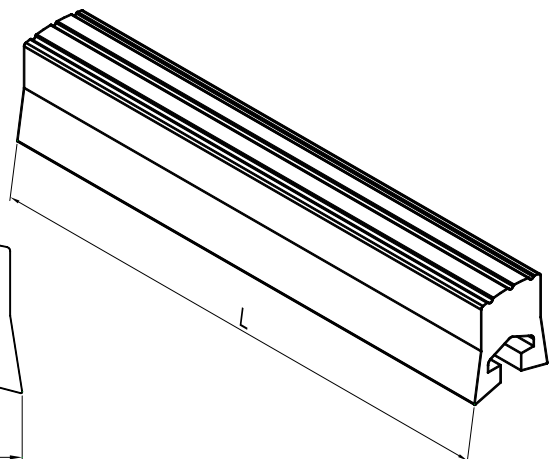
Art. 55600100

7,220 kg

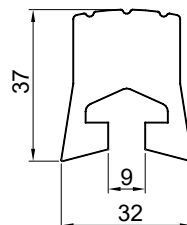


Profilo paracolpi in gomma nera

Black rubber buffer



Articolo Article	L	kg
55373600	2500	2,530
55373700	3000	3,100
55373500	3200	3,200



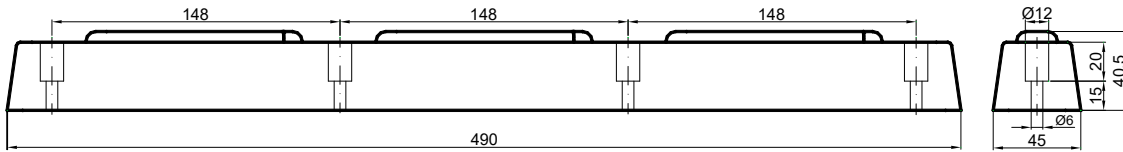
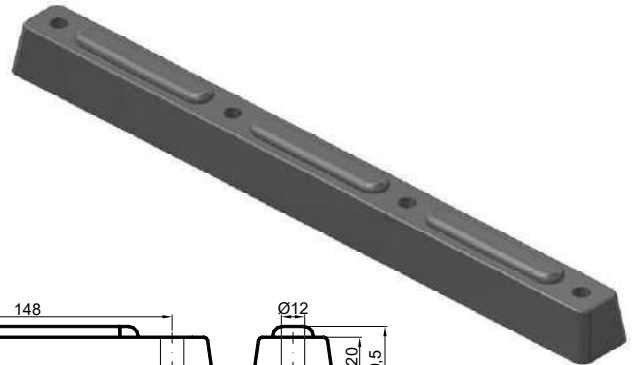


Profilo paracolpi in gomma nera L=490 mm

Black rubber buffer L=490 mm

Art. 55500490

0,735 kg

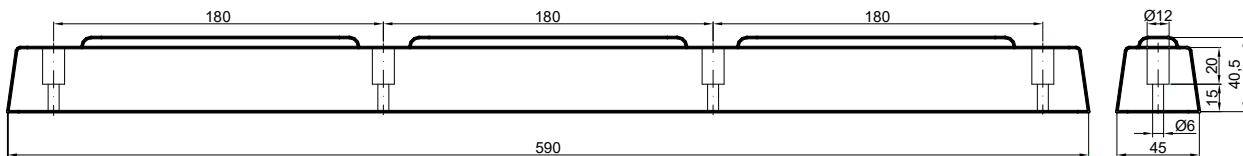
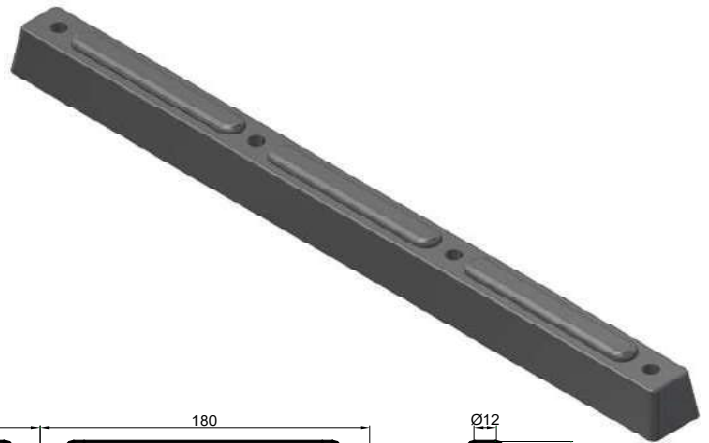


Profilo paracolpi in gomma nera L=590 mm

Black rubber buffer L=590 mm

Art. 55500590

0,800 kg

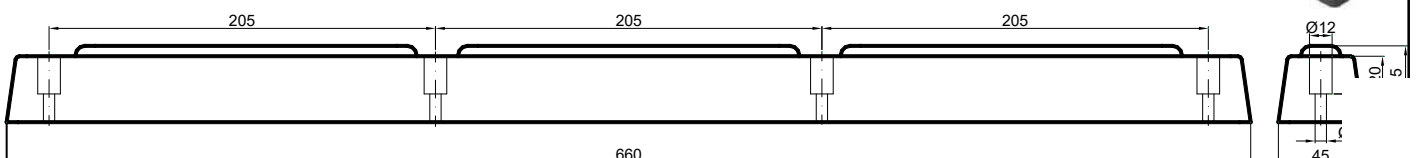


Profilo paracolpi in gomma nera L=660 mm

Black rubber buffer L=660 mm

Art. 55500655

1,010 kg





KOUTSOFTA
BROS.

A&G KOUTSOFTA BROS LTD

23 Markou Drakou, Dasaki Achnas, Cyprus

koutsoftabros@cytanet.com.cy

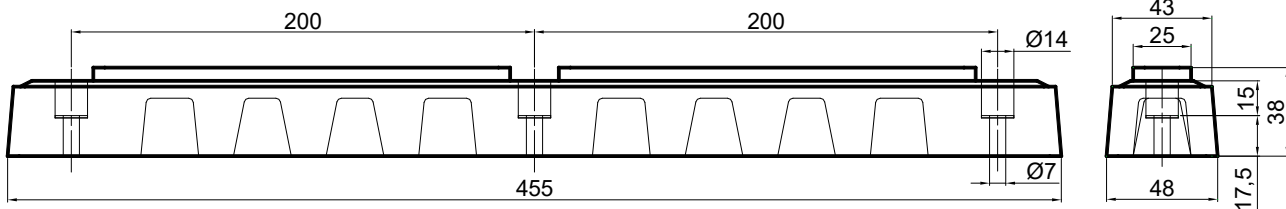
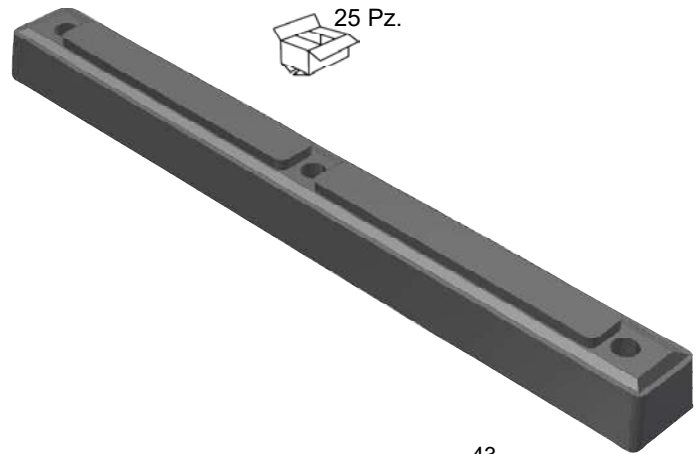
Tel: +357 24722500

Tampone paracolpi in gomma nera

Black rubber buffer

Art. 55455100

0,960 kg

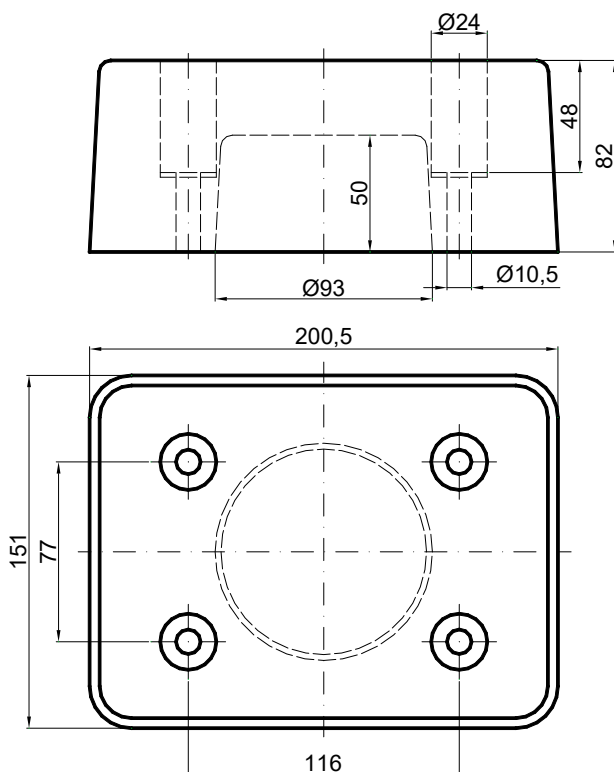


Tampone paracolpi in gomma nera

Black rubber buffer

Art. 55200150

3,000 kg





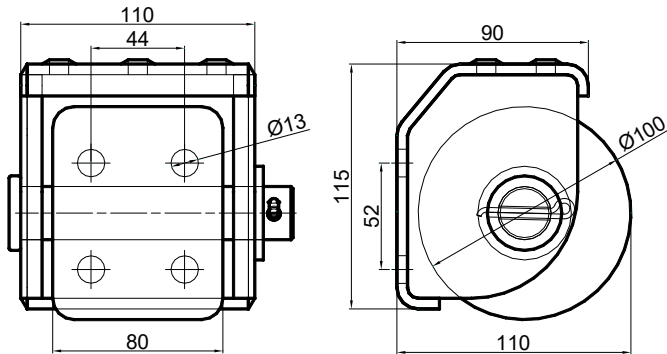
Paracolpi orizzontale con struttura zincata
Horizontal roller buffers zinc plated housing

Art. 55322252

2,750 kg



8 Pz.



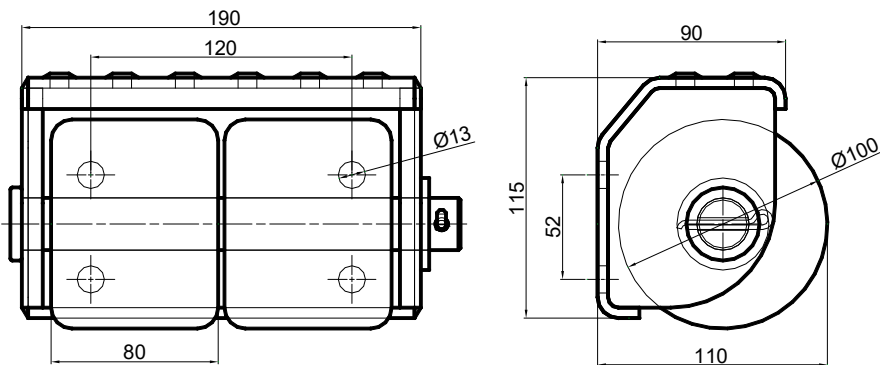
Paracolpi orizzontale con struttura zincata
Horizontal roller buffers zinc plated housing

Art. 55322251

5,500 kg



4 Pz.



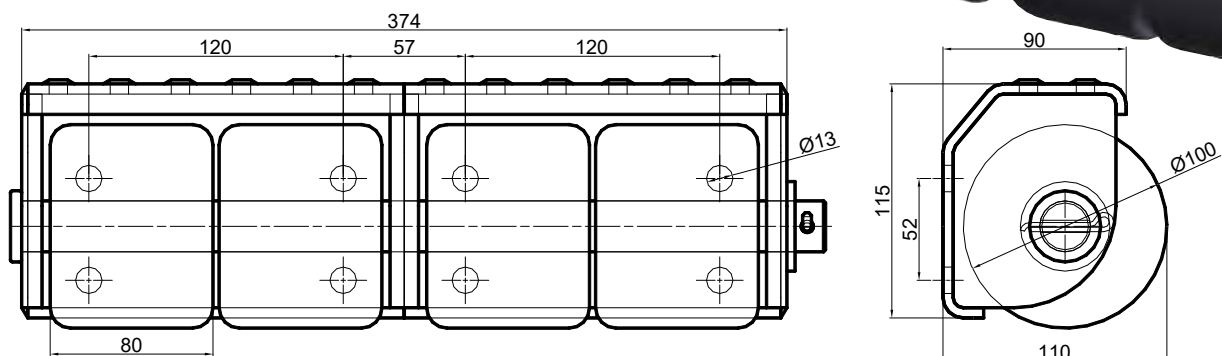
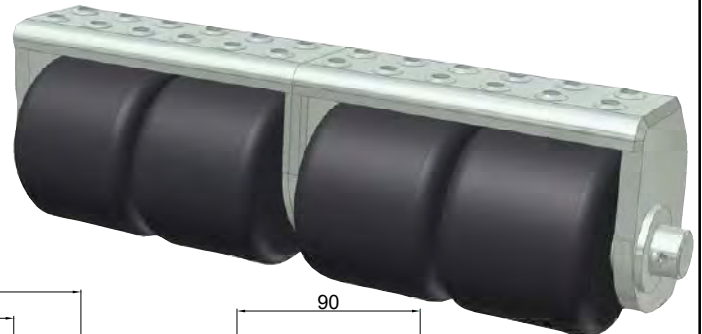
Paracolpi orizzontale con struttura zincata
Horizontal roller buffers zinc plated housing

Art. 55322254

11,000 kg



2 Pz.

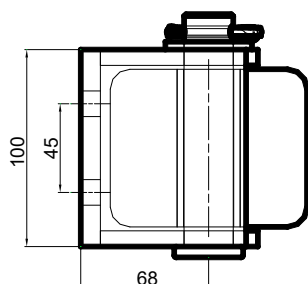
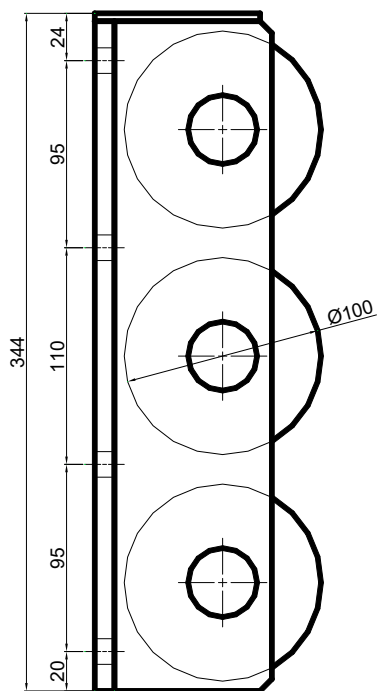




Paracolpi verticale con struttura zincata
Vertical roller buffers zinc plated housing

Art. 55322253

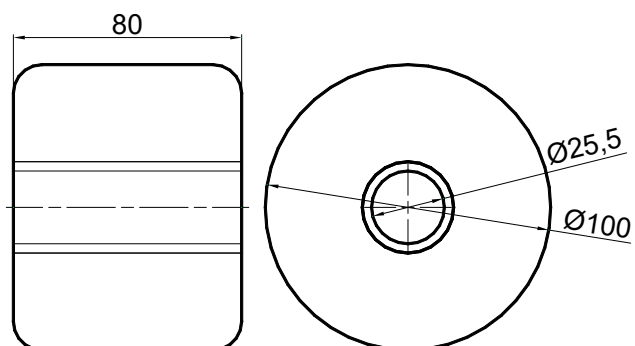
8,000 kg



Rullo / Roller

Art. 55322250

0,880 kg



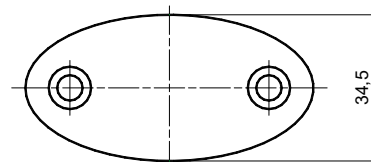
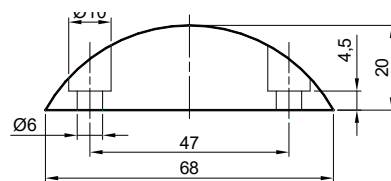


Tampone paracolpi ovale in gomma nera

Black rubber oval buffer

Art. 55356820

0,032 kg

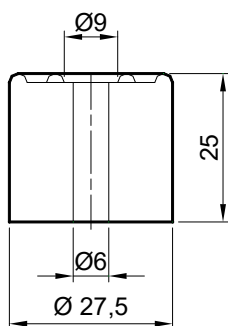


Tampone paracolpi in gomma nera

Black rubber buffer

Art. 55282500

0,020 kg

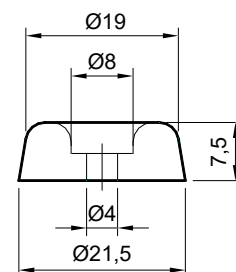


Tampone paracolpi in gomma nera

Black rubber buffer

Art. 5528000

0,003 kg



Profili protezione cassoni

Profiles for tipper and float

Profili realizzati in PVC di finitura e protezione da eventuali colpi accidentali.

Possono essere utilizzati sia nelle sponde che nei profili paracabina dei veicoli.

Profiles manufactured in finishing PVC, they allowed the protection from any possible accidental stroke.

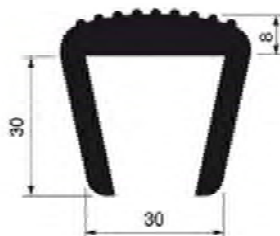
They could be used both on the sideboards and as a cab protection of the vehicles.

Lunghezza 2500 mm

Length 2500 mm



Art. 54094100



Art. 54095100





KOUTSOFTA
BROS.

A&G KOUTSOFTA BROS LTD

23 Markou Drakou, Dasaki Achnas, Cyprus

koutsoftabros@cytanet.com.cy

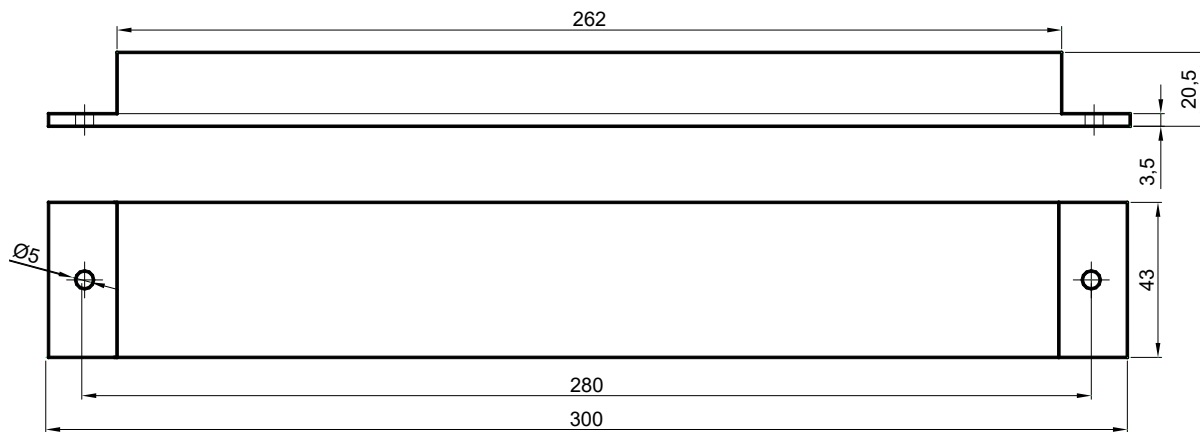
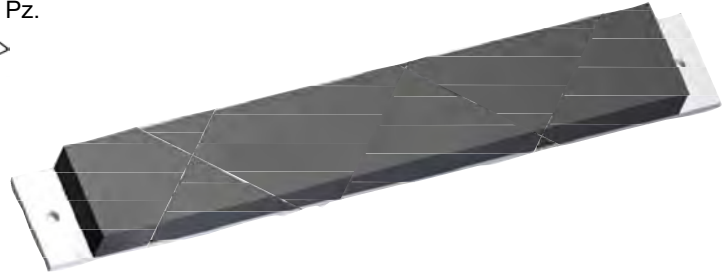
Tel: +357 24722500

Batticolpo per ribaltabile su lamiera
Rubber support for tilting body

Art. 55030043

0,620 kg

50 Pz.

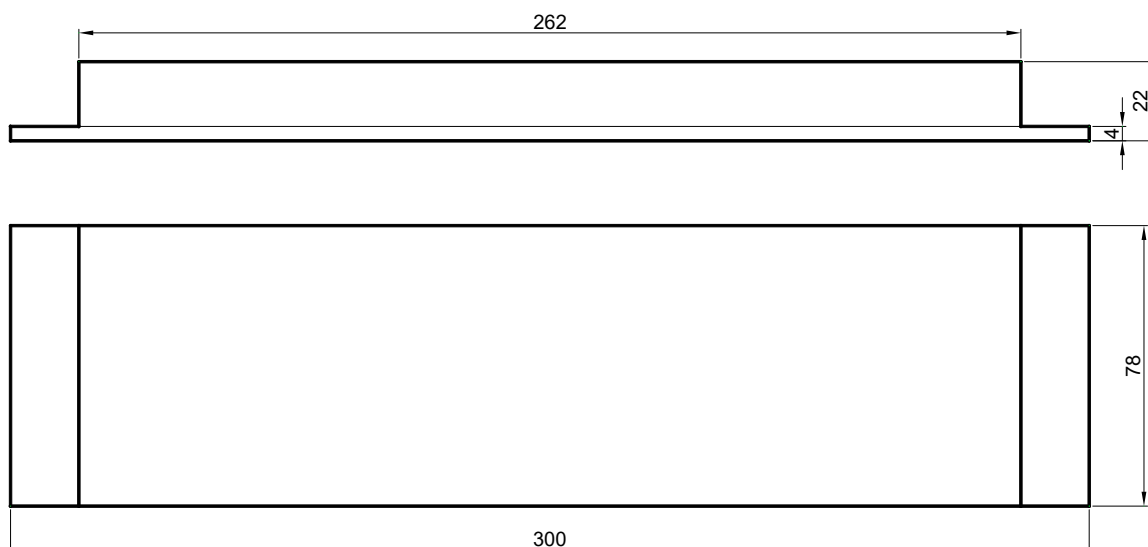
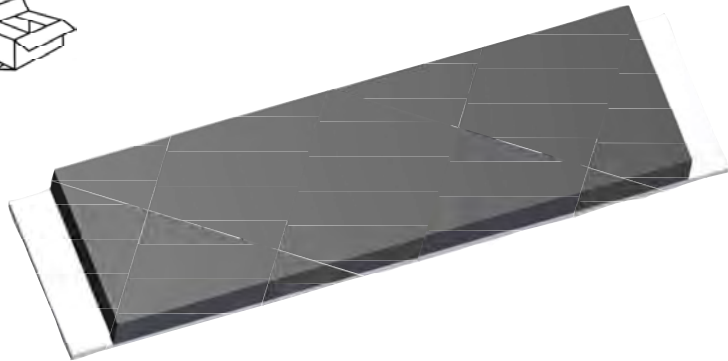


Batticolpo per ribaltabile su lamiera
Rubber support for tilting body

Art. 55030080

1,250 kg

25 Pz.

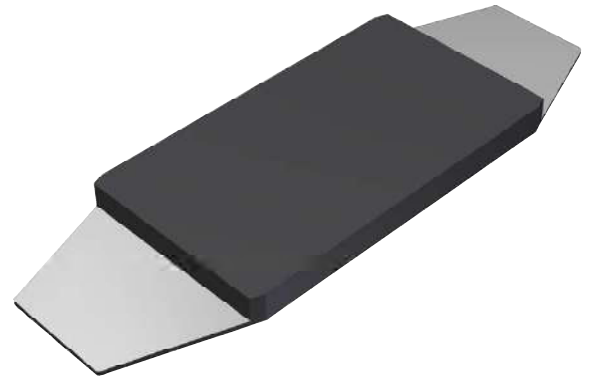
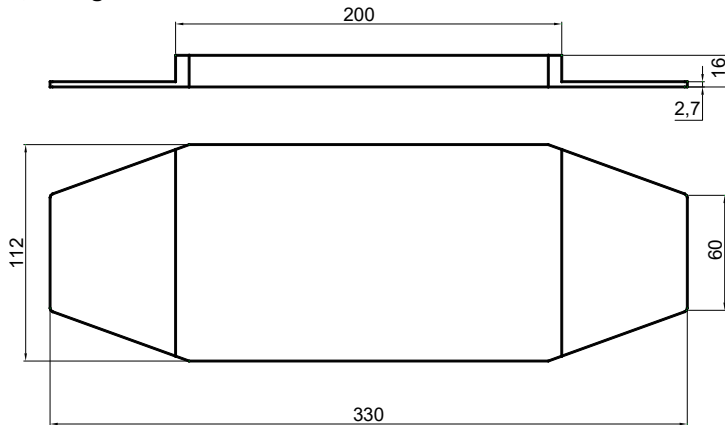




Batticolpo su lamiera 330x112x16
Rubber support 330x112x16 for tilting body

Art. 55700950

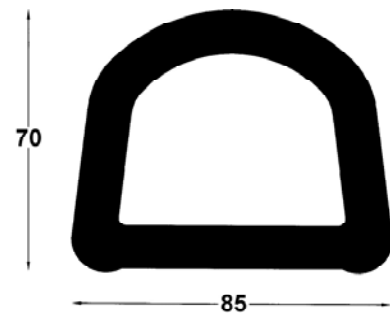
1,100 kg



Profilo paracolpi in gomma nera 85x70 L= 2600
Black protection rubber bumper 85x70 L= 2600

Art. 55857000

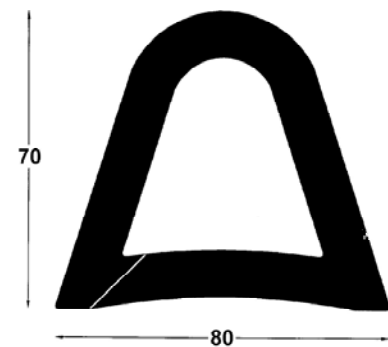
5,800 kg



Profilo paracolpi in gomma nera 80x70 L= 2600
Black protection rubber bumper 80x70 L= 2600

Art. 55708000

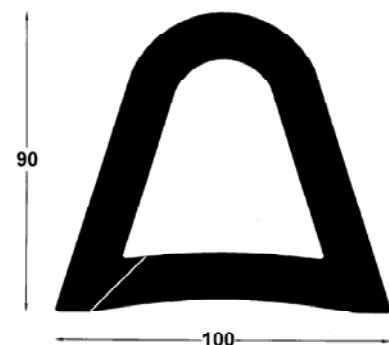
5,400 kg



Profilo paracolpi in gomma nera 100x90 L= 2600
Black protection rubber bumper 100x90 L= 2600

Art. 55901000

6,500 kg





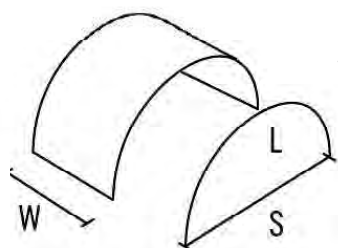
Parafango in polypropilene nero
Black polypropilene mudguards



Articolo Article	L	S	W	kg
73658406	1400	880	225	1,2
73658408	1380	880	270	1,5
73658400	1380	880	400	2
73658405	1400	900	450	2,3
73658412	1600	1000	500	2,8
73658404	1600	1000	550	3,0
73658422	1750	1150	600	3,7
73658423	1750	1100	550	3,5
73658431	1900	1300	435	3,5
73658402	1900	1250	650	5,8
73658433	2100	1320	435	4,2
73658441	2100	1340	650	6,1



Articolo	L	S	W	kg
73658444	1470	910	450	2,6
73658445	1500	895	300	2,4



L= Length (mm)
S= Span (mm)
W= Width (mm)



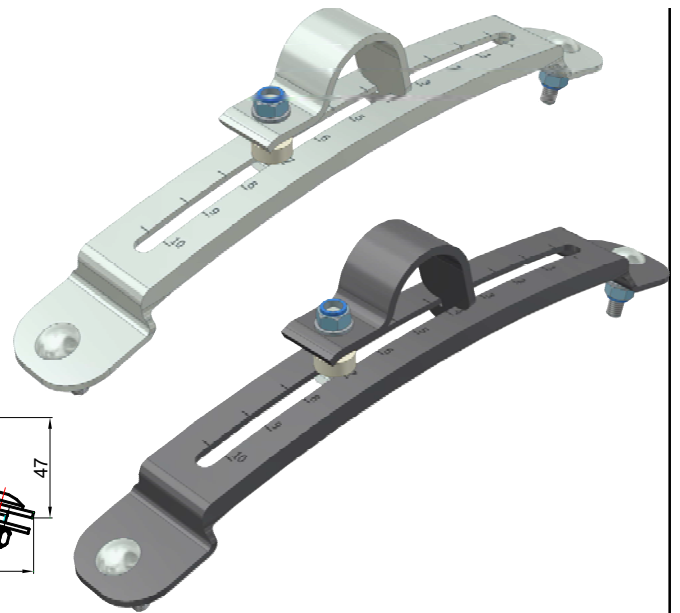
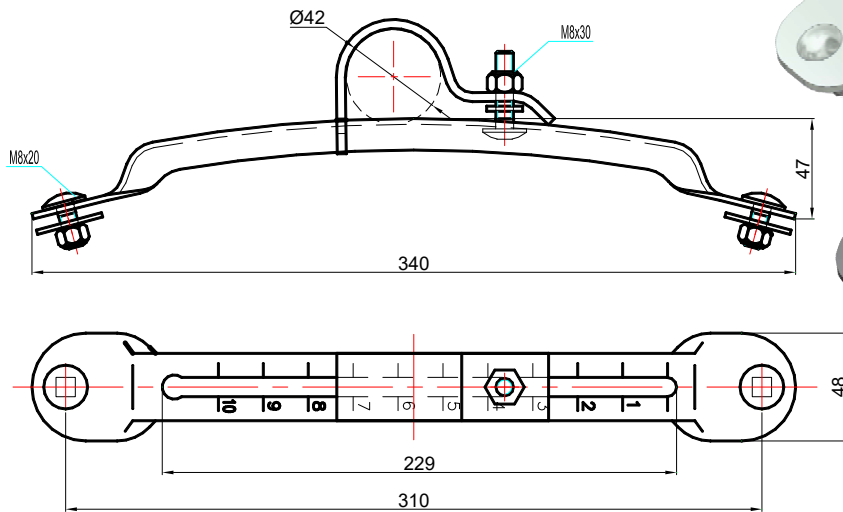
Supporto para fango sagomato Ø 42

Mudgard mounting bracket Ø 42

Art. 60167110 Zincato - Zinc plated

Art. 60167410 Verniciato - Black painted

0,530 kg



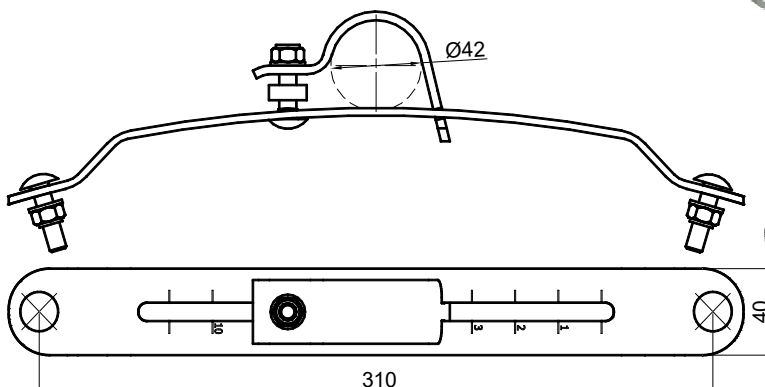
Supporto para fango sagomato Ø 42

Mudgard mounting bracket Ø 42

Art. 60167120 Zincato - Zinc plated

Art. 60167130 Verniciato - Black painted

0,610 kg

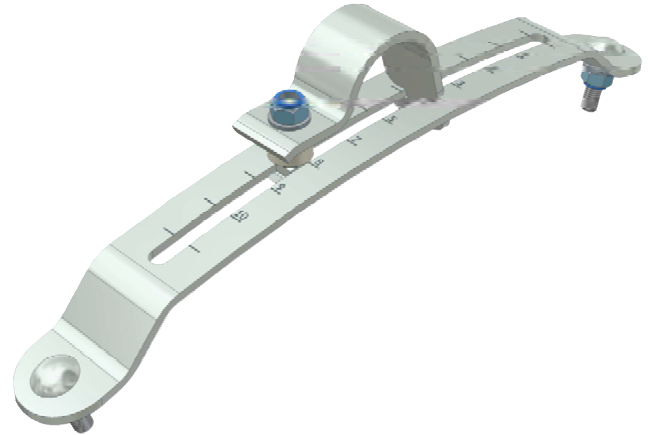
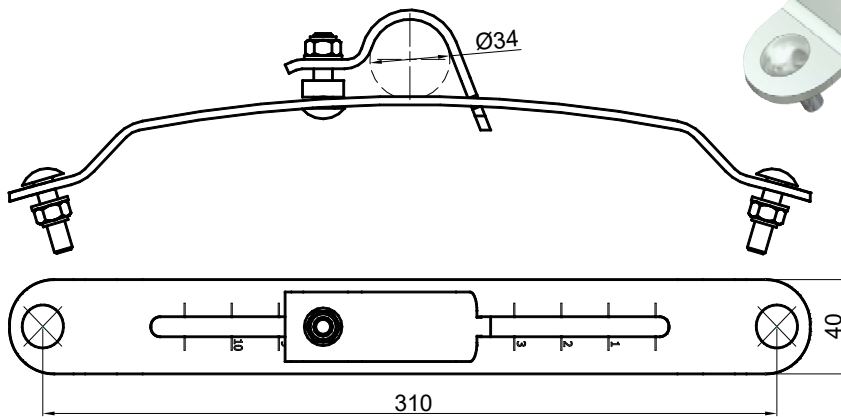




Supporto parafrango zincato Ø 34
Galvanized mudgard mounting bracket Ø 34

Art. 60167121

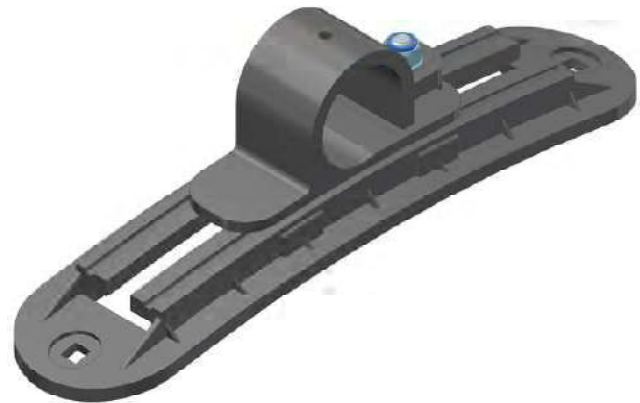
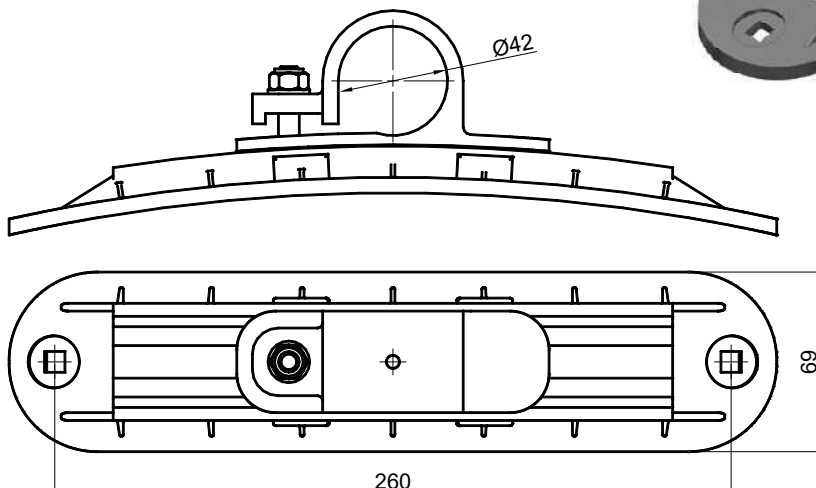
0,530 kg



Supporto parafrango in PVC nero Ø 42
Black PVC mudgard mounting bracket Ø 42

Art. 60167310

0,265 kg

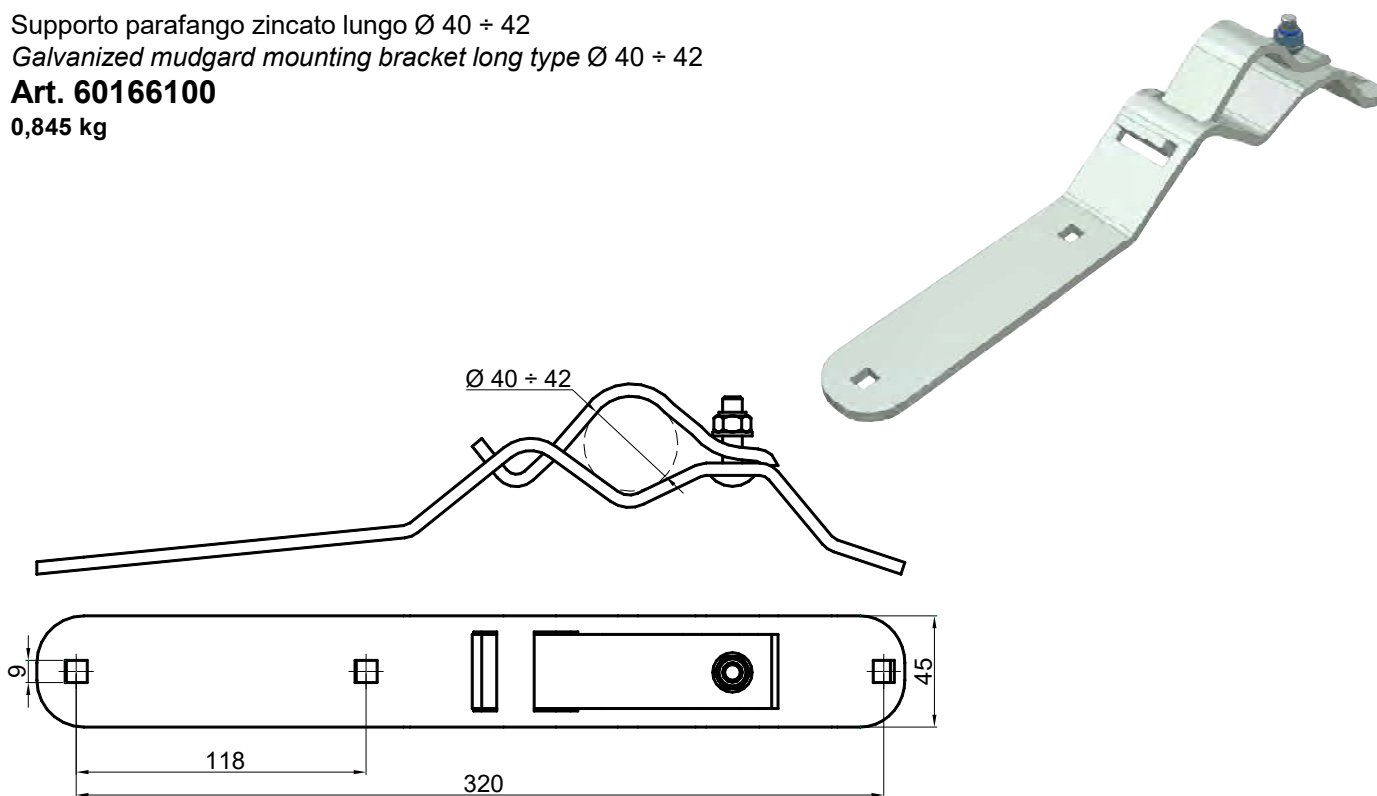




Supporto parafrangozinco lungo Ø 40 ÷ 42
Galvanized mudgard mounting bracket long type Ø 40 ÷ 42

Art. 60166100

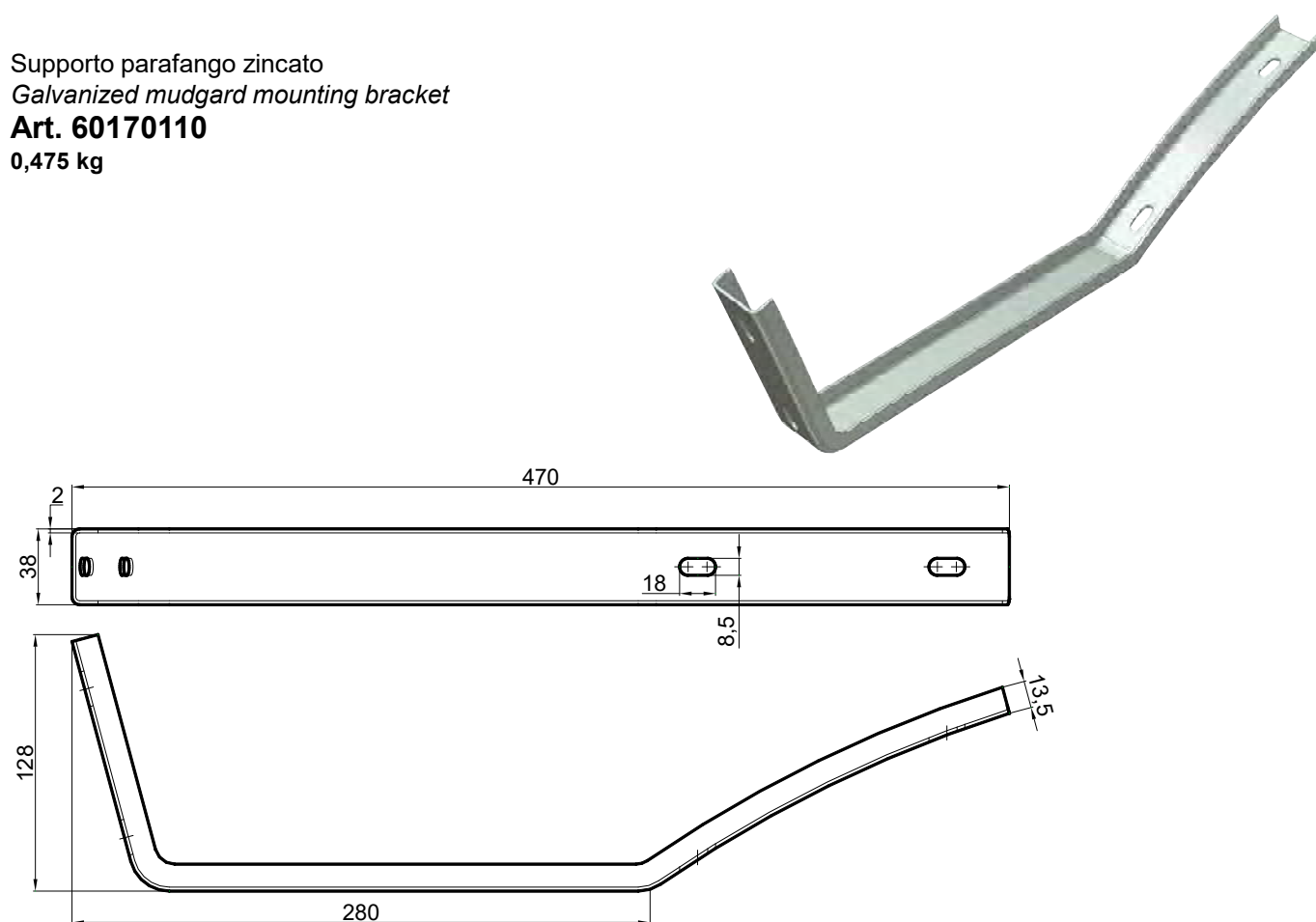
0,845 kg



Supporto parafrangozinco
Galvanized mudgard mounting bracket

Art. 60170110

0,475 kg

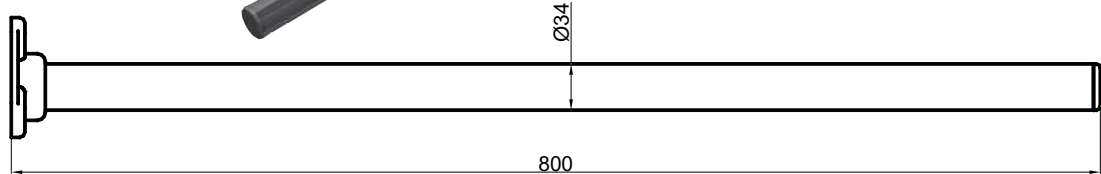
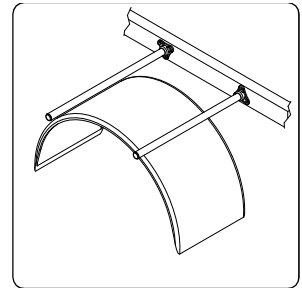
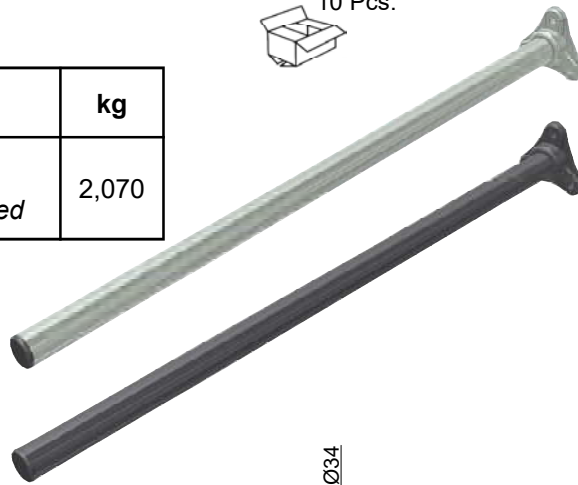




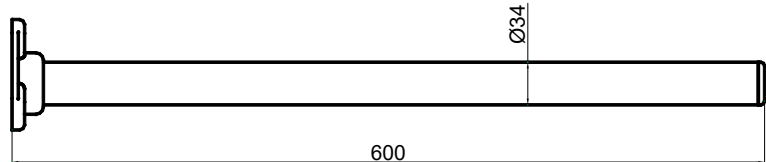
Tubo di fissaggio Ø 34
Installation tube Ø 34

10 Pcs.

Articolo Article	Trattamento Treatment	kg
60178110	Zincato / Zinc plated	2,070
60178200	Verniciato / Black painted	



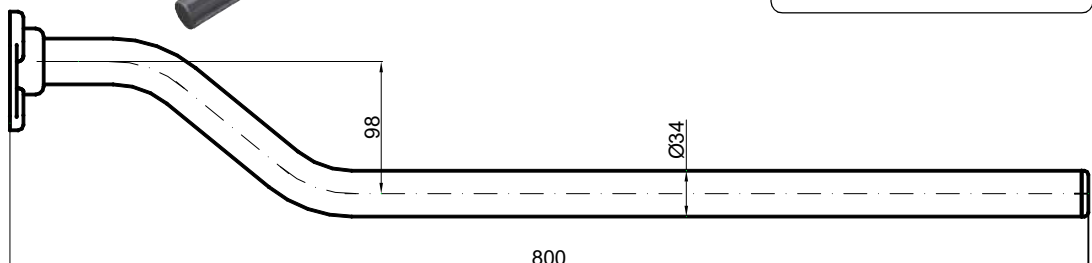
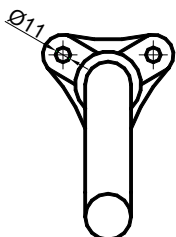
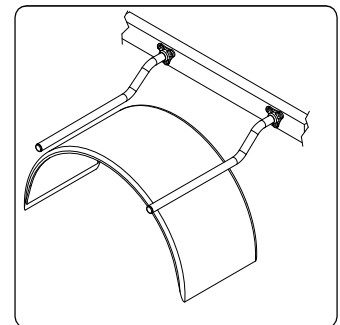
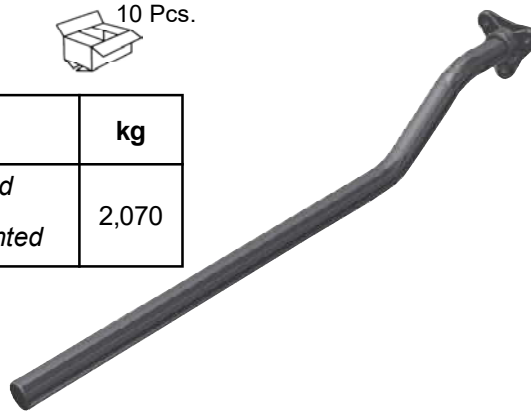
Tubo di fissaggio Ø34 L.600
Installation tube Ø34 L.600
Art. 60178110/600



Tubo di fissaggio Ø 34
Installation tube Ø 34

10 Pcs.

Articolo Article	Trattamento Treatment	kg
60179110	Zincato / Zinc plated	2,070
60179200	Verniciato / Black painted	

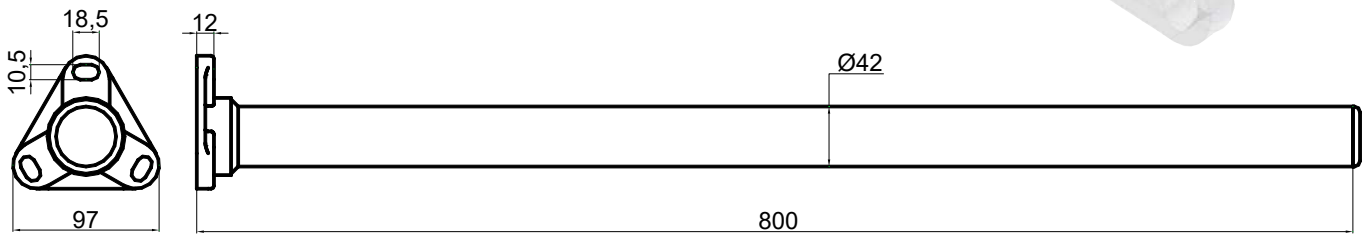
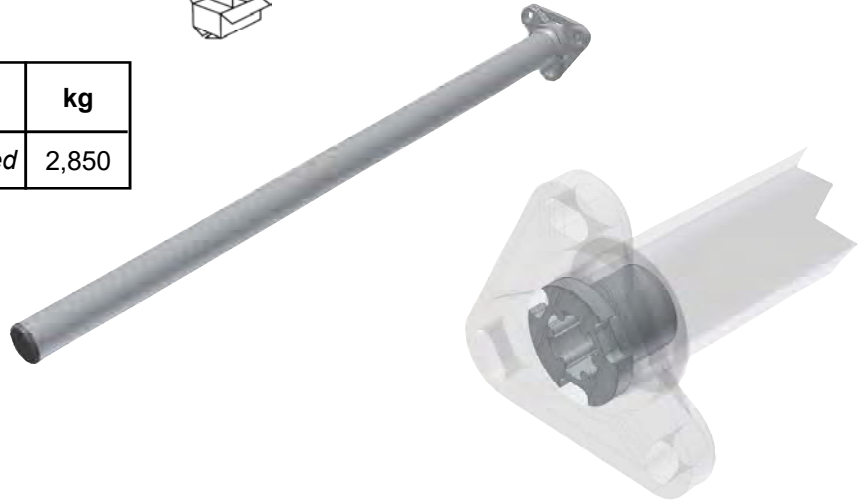




Tubo di fissaggio RINFORZATO Ø 42
REINFORCED Installation tube Ø 42

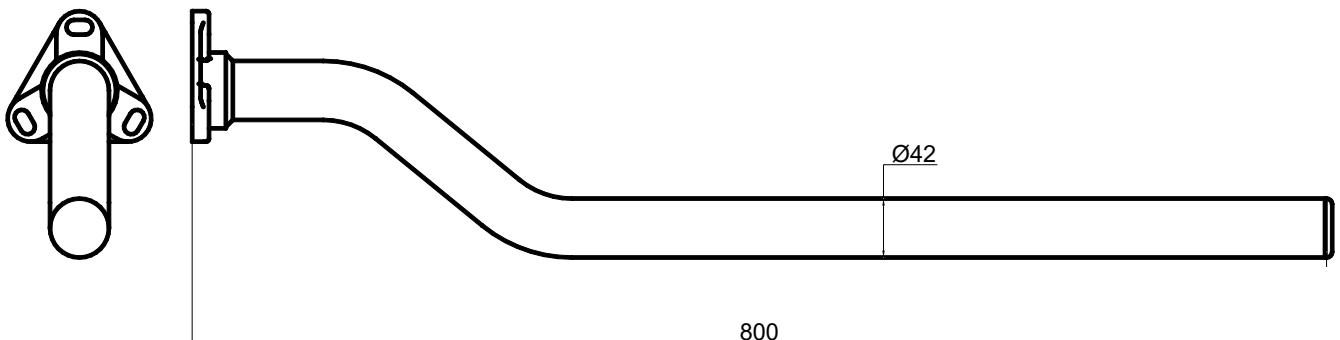
10 Pcs.

Articolo Article	Trattamento Treatment	kg
60780431	Zincato a caldo / Hot galvanized	2,850



Articolo Article	Trattamento Treatment	kg
60770431	Zincato a caldo / Hot galvanized	2,850

10 Pcs.

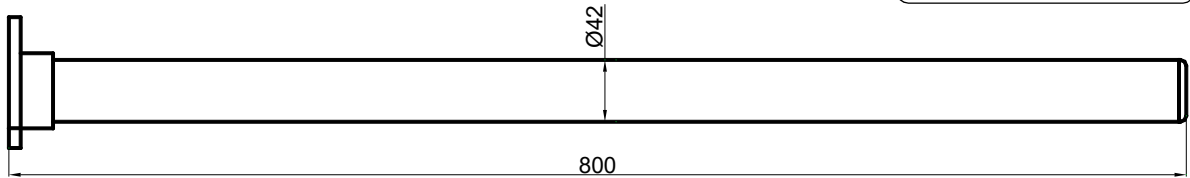
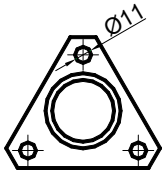
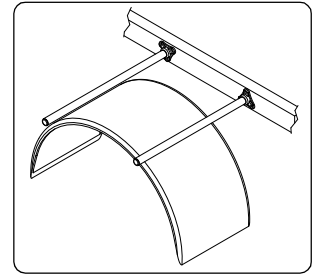
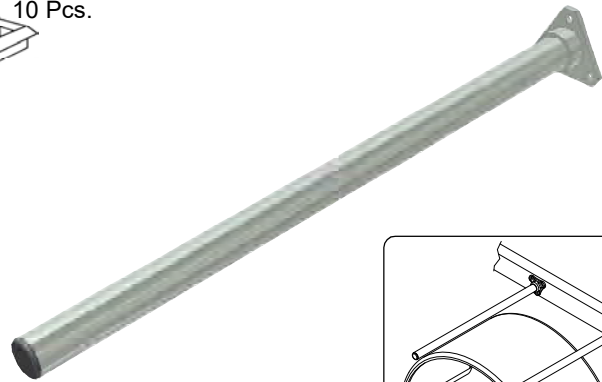




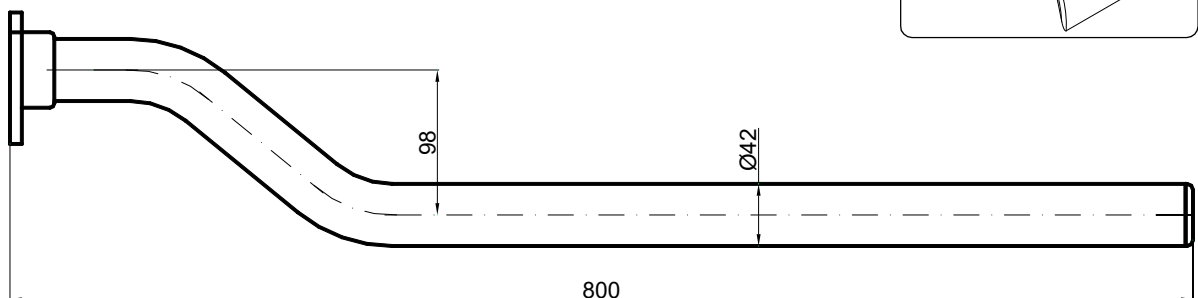
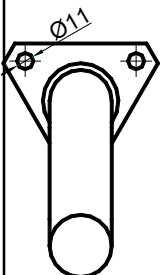
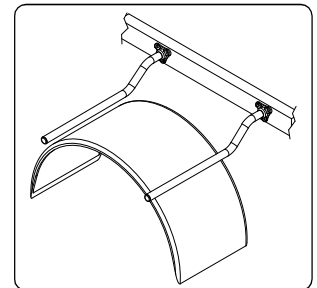
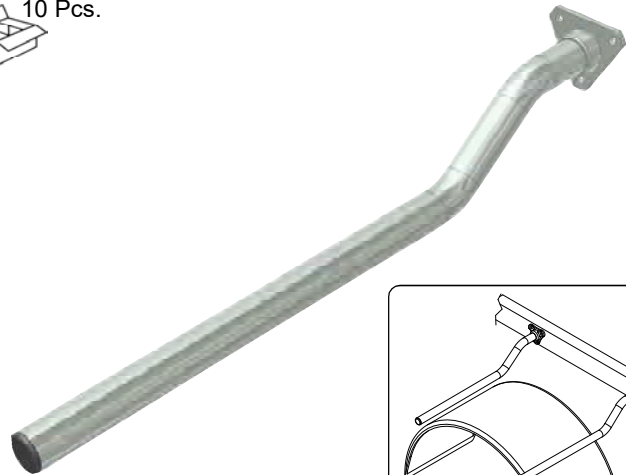
Tubo di fissaggio Ø 42
Installation tube Ø 42



Articolo Article	Trattamento Treatment	kg
60180110	Zincato / Zinc plated	2,840
60180310	Verniciato / Black painted	

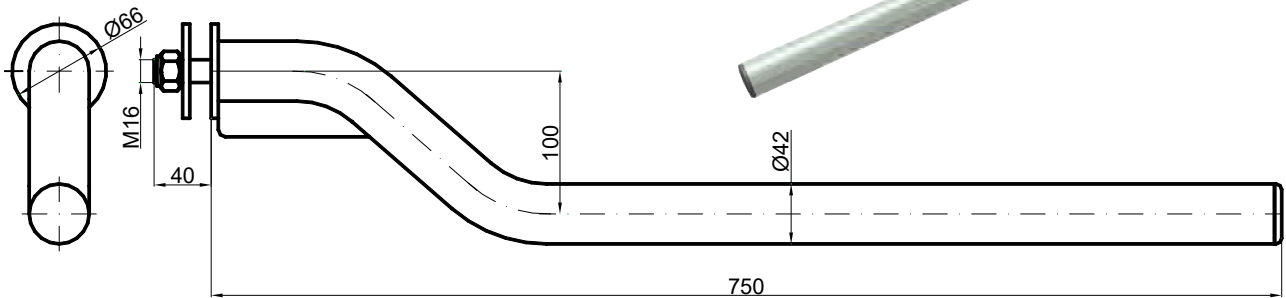


Articolo Article	Trattamento Treatment	kg
60181110	Zincato / Zinc plated	2,840
60181310	Verniciato / Black painted	

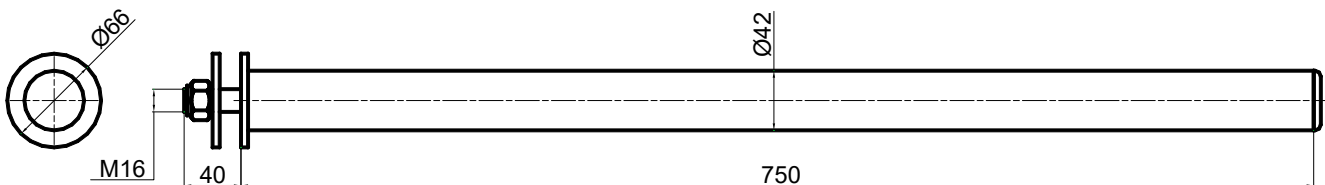




Articolo Article	Trattamento Treatment	kg
60770421	Zincato / Zinc plated	
60770422	Zincato a caldo / Hot zinc plated	2,840
60770430	Verniciato / Black painted	



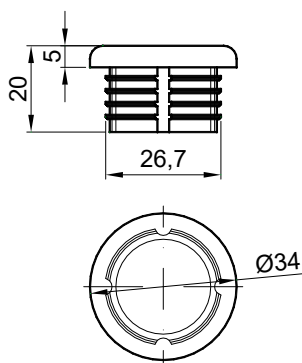
Articolo Article	Trattamento Treatment	kg
60780421	Zincato / Zinc plated	
60780430	Verniciato / Black painted	2,800



Tappo tubo di fissaggio parafango Ø34 in PVC
Black PVC cap for tube to fixing mudgard Ø34

Art. 55178500

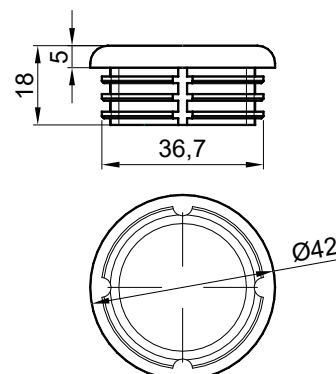
0,003 kg



Tappo tubo di fissaggio parafango Ø42 in PVC
Black PVC cap for tube to fixing mudgard Ø42

Art. 55180500

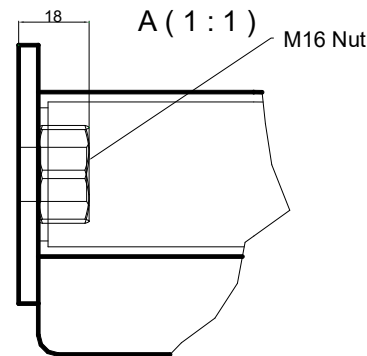
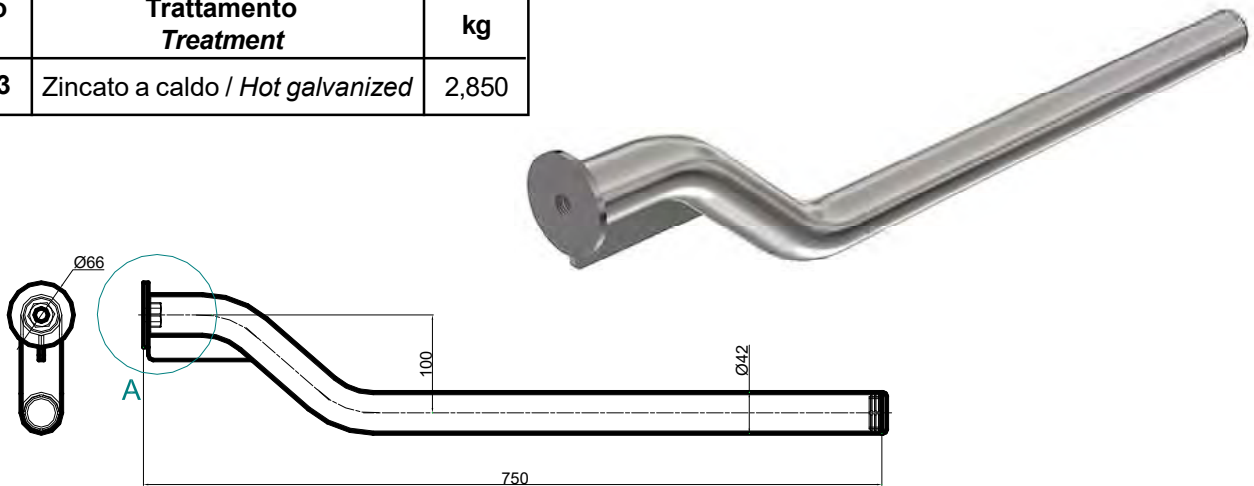
0,003 kg





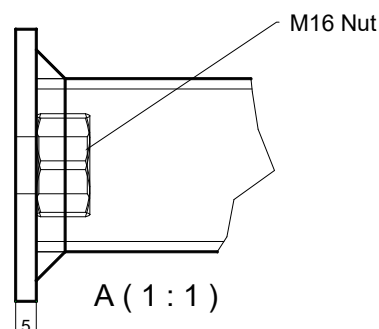
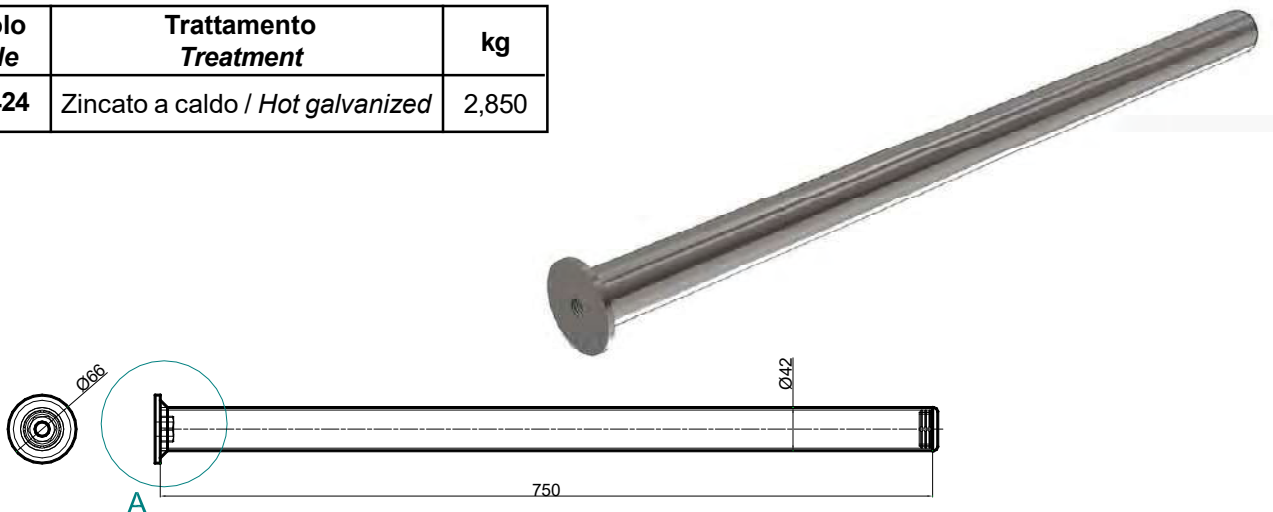
Tubo di fissaggio con dado M16 Ø42
M16 nut Installation tube Ø42

Articolo Article	Trattamento Treatment	kg
60770423	Zincato a caldo / Hot galvanized	2,850



Tubo di fissaggio con dado M16 Ø42
M16 nut Installation tube Ø42

Articolo Article	Trattamento Treatment	kg
60770424	Zincato a caldo / Hot galvanized	2,850

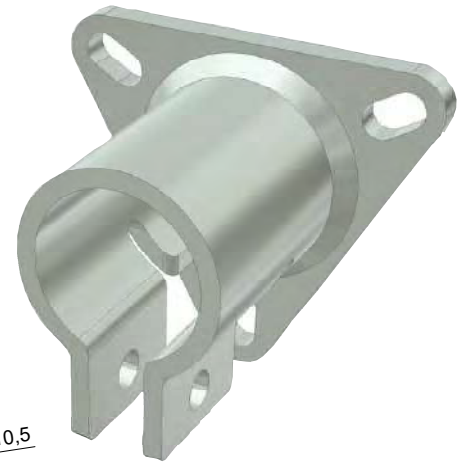
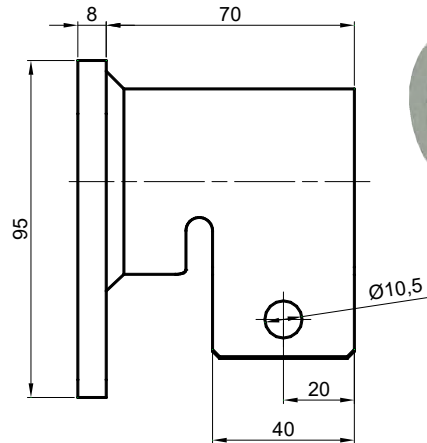
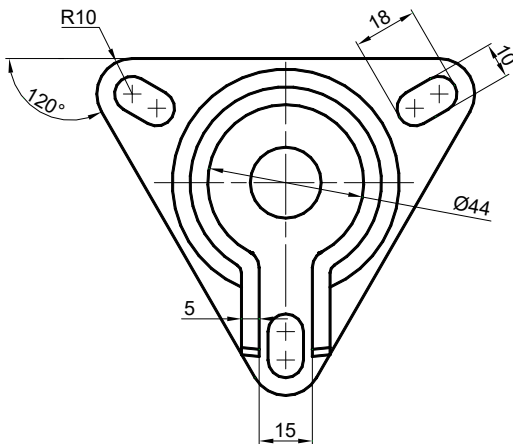




Calice Ø42 zincato con piastra a triangolo
Zinc plated Ø42 fixing bracket with triangular plate

Art. 60115219

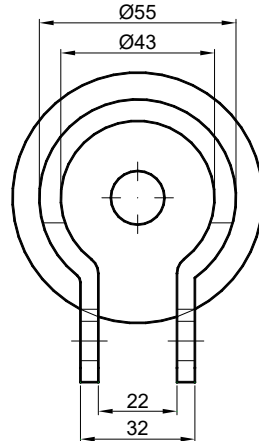
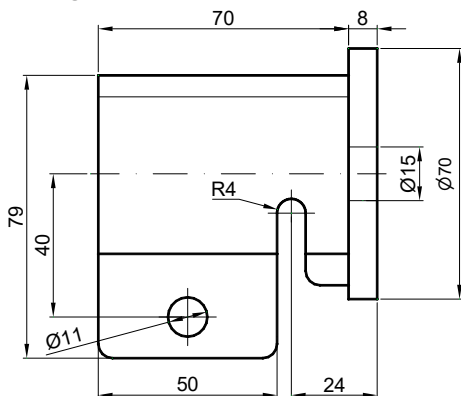
0,800 kg



Calice Ø42 zincato con piastra tonda
Zinc plated Ø42 fixing bracket with round plate

Art. 60115019

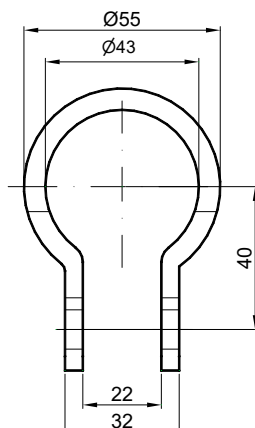
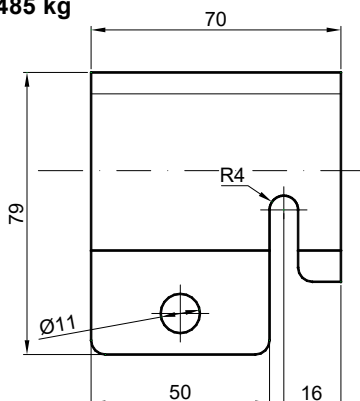
0,760 kg



Calice Ø42 grezzo senza piastra
Raw Ø42 fixing bracket without plate

Art. 60115119

0,485 kg

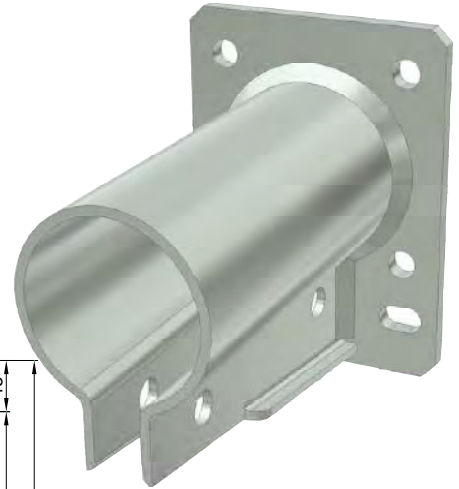
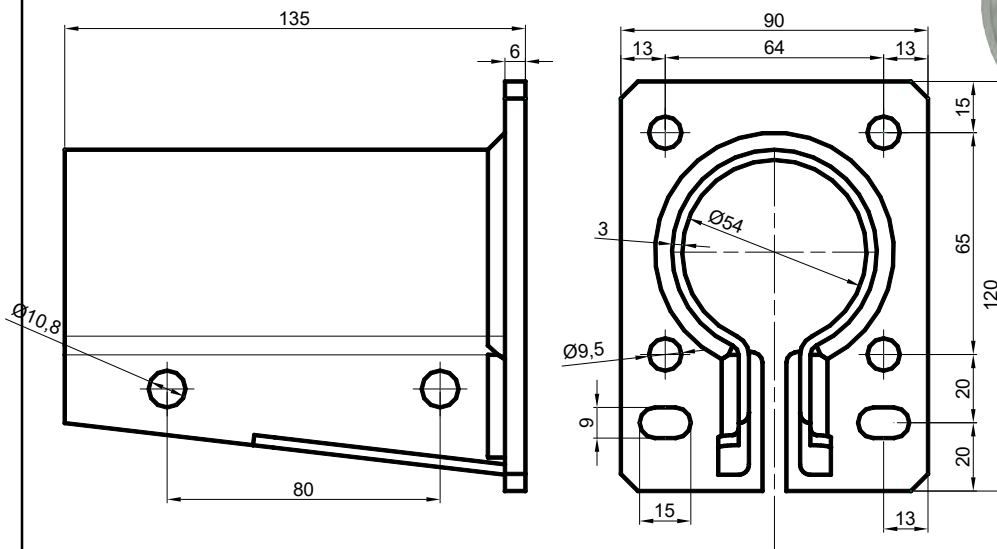




Calice Ø54 zincato con piastra rinforzata
Zinc plated Ø54 fixing bracket with strengthened plate

Art. 60115419

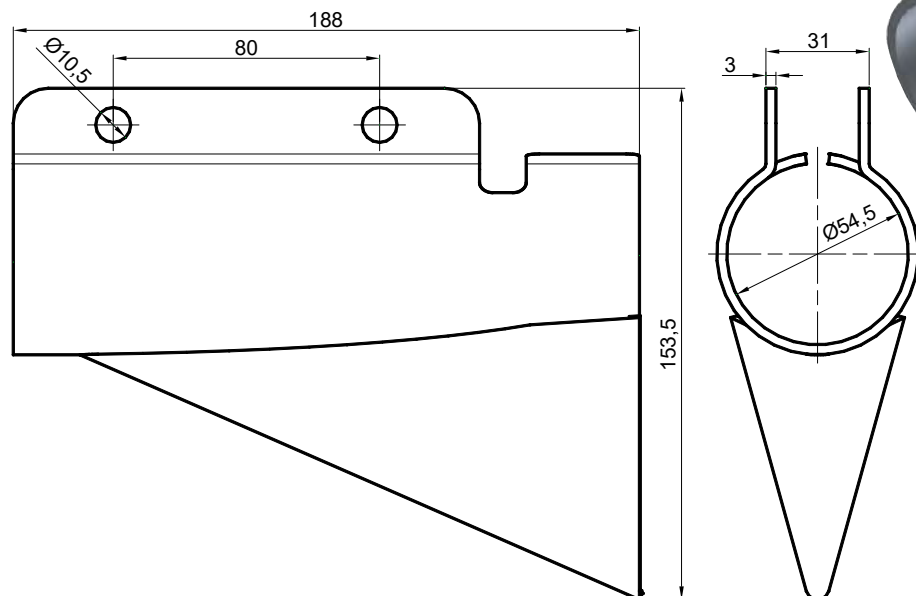
1,060 kg



Calice Ø54 grezzo rinforzato a saldare
Raw Ø54 fixing bracket strengthened to welded

Art. 60115519

1,050 kg



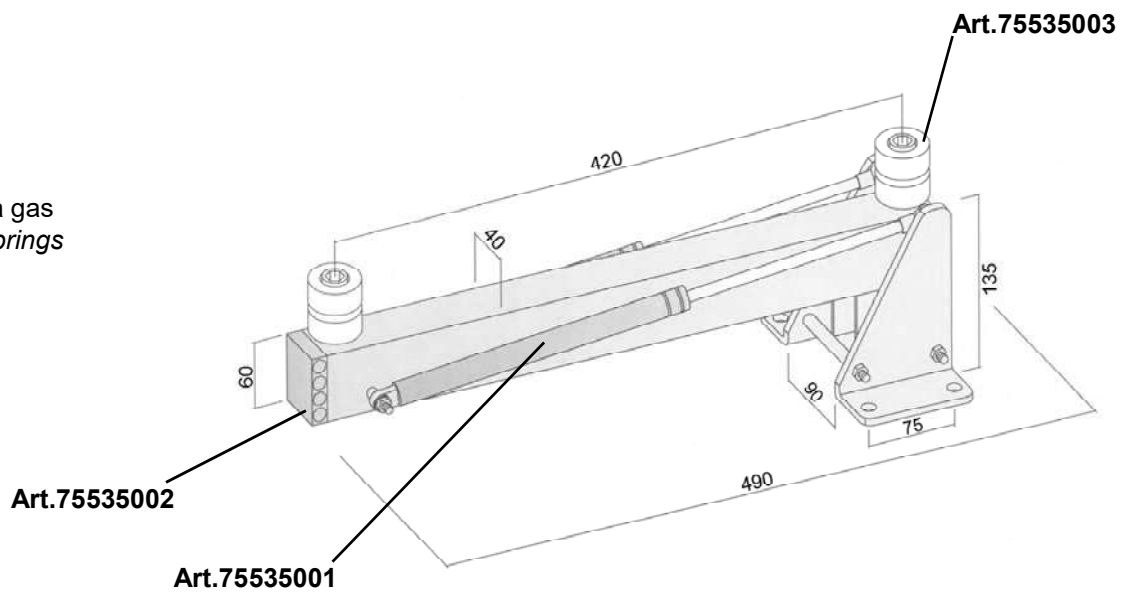


Sollevatore per paratie
Lifting and sliding system for partition walls

Con braccio singolo verniciato nero
With single arm black painted
Art.75535112 - 4,700 kg

Con braccio singolo inox
With single arm stainless steel
Art.75535212 - 4,700 kg

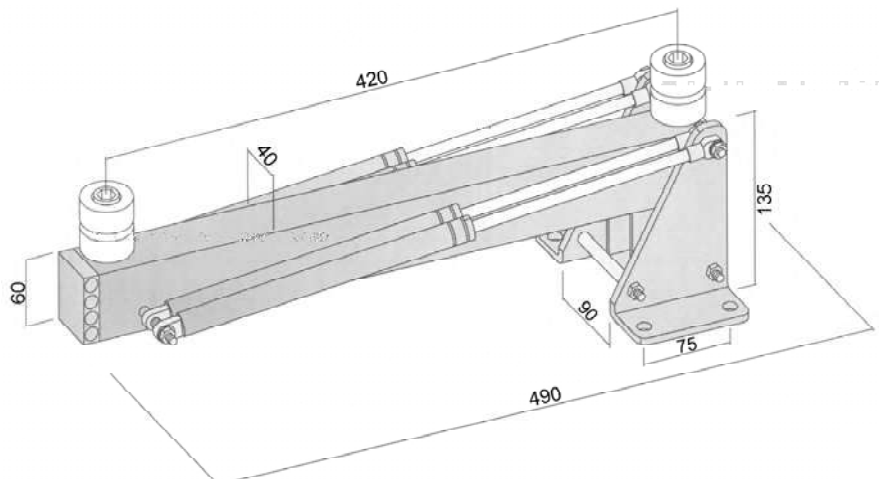
Sollevatore a 2 molle a gas
Power-lift with 2 gas springs



Con braccio doppio verniciato nero
With double arm black painted
Art.75535114 - 5,500 kg

Con braccio doppio inox
With double arm stainless steel
Art.75535314 - 5,500 kg

Sollevatore a 4 molle a gas
Power-lift with 4 gas springs

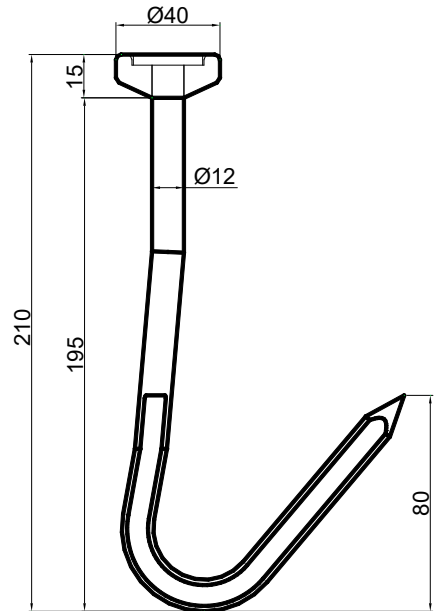
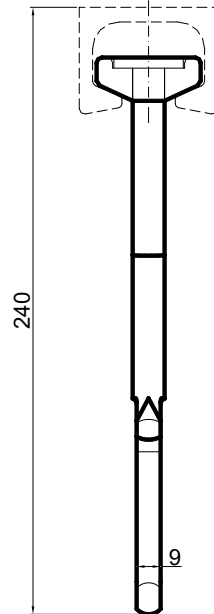




Gancio carne Inox
Stainless steel straight meat hook

Art.75500345

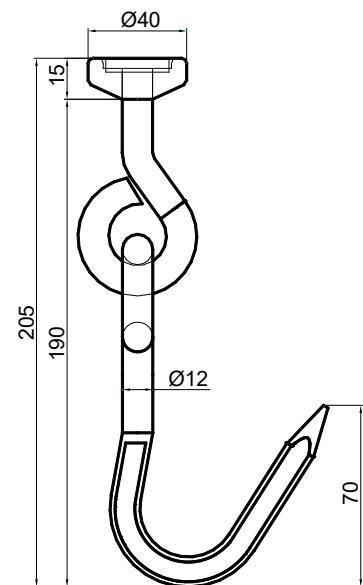
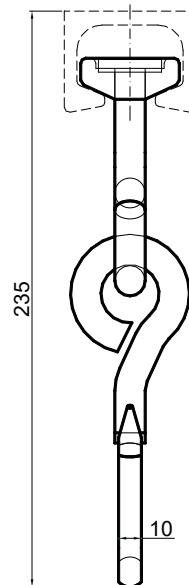
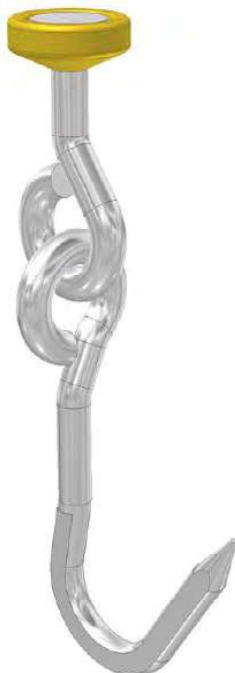
0,270 kg



Gancio carne con snodo Inox
Stainless steel straight meat hook with articulation

Art.75500145

0,400 kg

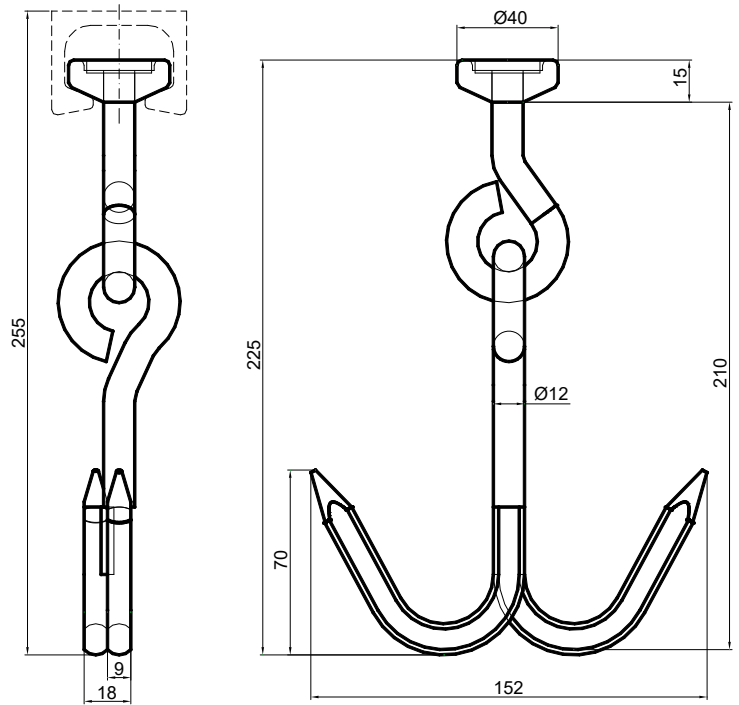




Gancio carne doppio con snodo Inox
Stainless steel straight meat hook double articulation
Art.75500245

0,522 kg

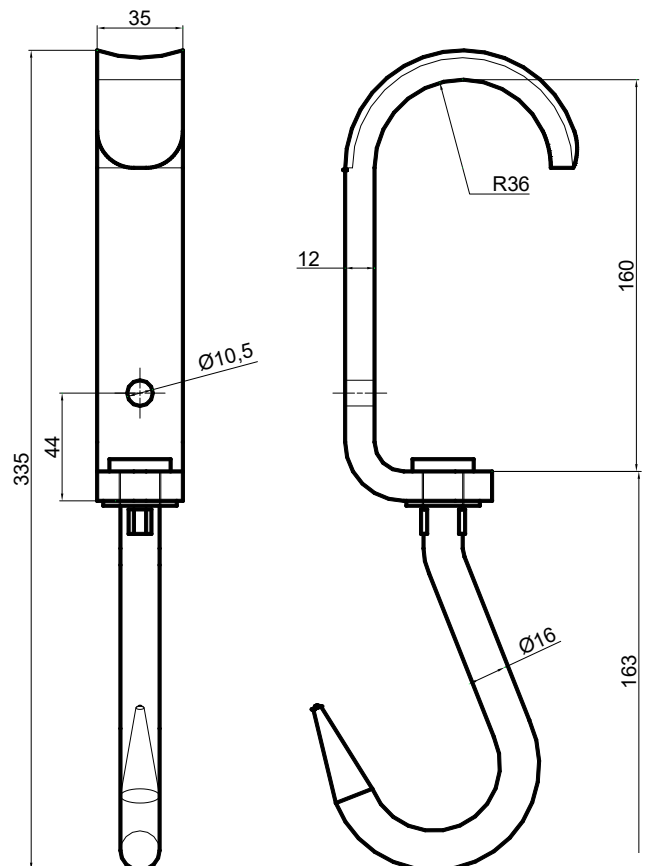
50 Pcs.



Gancio carne Inox tipo Europa
Stainless steel straight meat hook Europa type
Art.75500445

1,350 kg

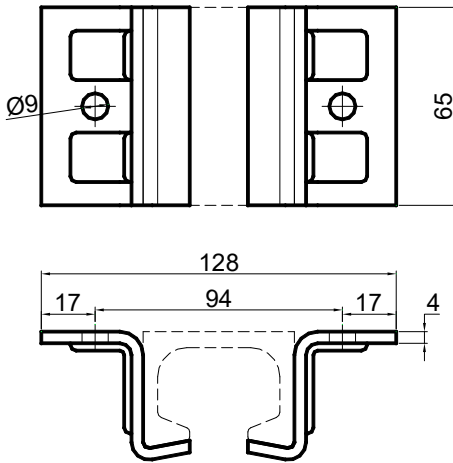
20 Pcs.





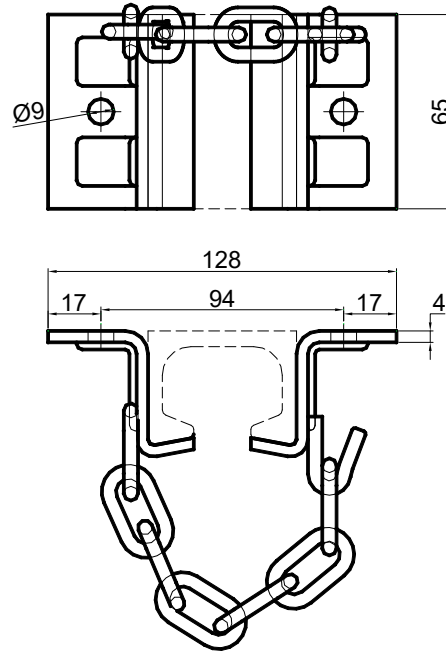
Coppia supporti inox per fissaggio per bloccaggio guidovia senza catena
Stainless steel support fixing rail meat without chain

Art.75539144 - 0,320 kg



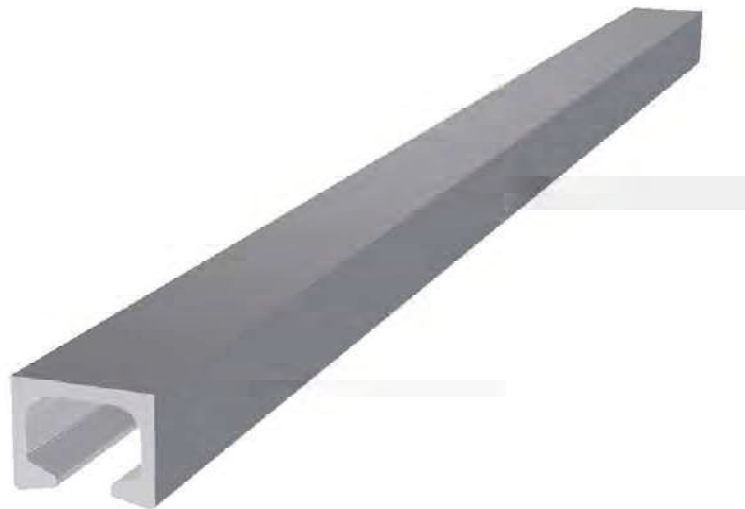
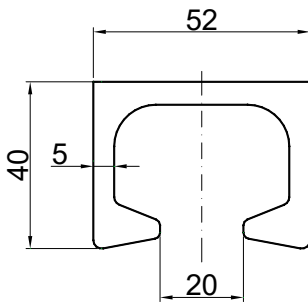
Coppia supporti inox per fissaggio per bloccaggio guidovia con catena
Stainless steel support fixing rail meat with chain

Art.75539143 - 0,420 kg



Guidovia trasporto carne in Alluminio 52x40 L= 6 Mt.
Aluminium meat rail system 52x40 mm L= 6 Mt.

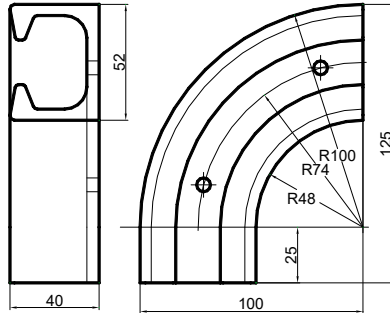
Art.75524060 - 13,100 kg





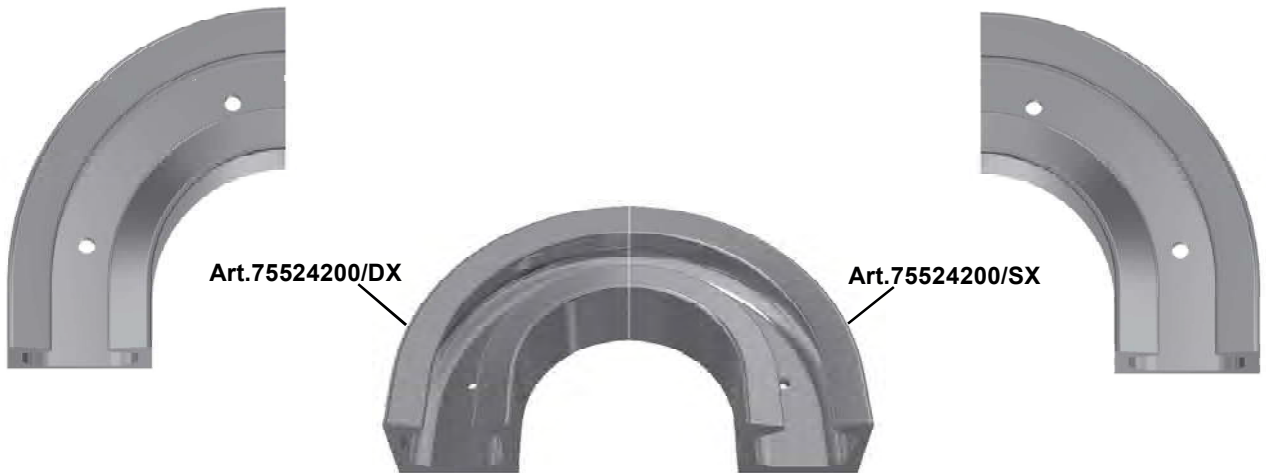
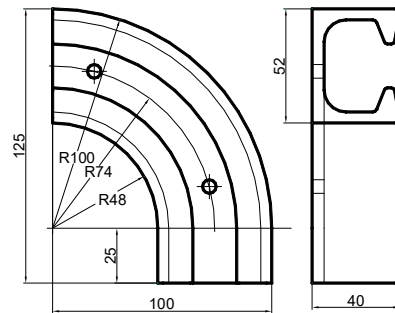
Semicurva DESTRA per guidovia in Acciaio Inox
Stainless steel RIGHT 1/2 curve for meat rail

Art.75524200/DX - 1,110 kg

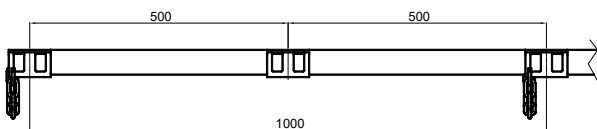


Semicurva SINISTRA per guidovia in Acciaio Inox
Stainless steel LEFT 1/2 curve for meat rail

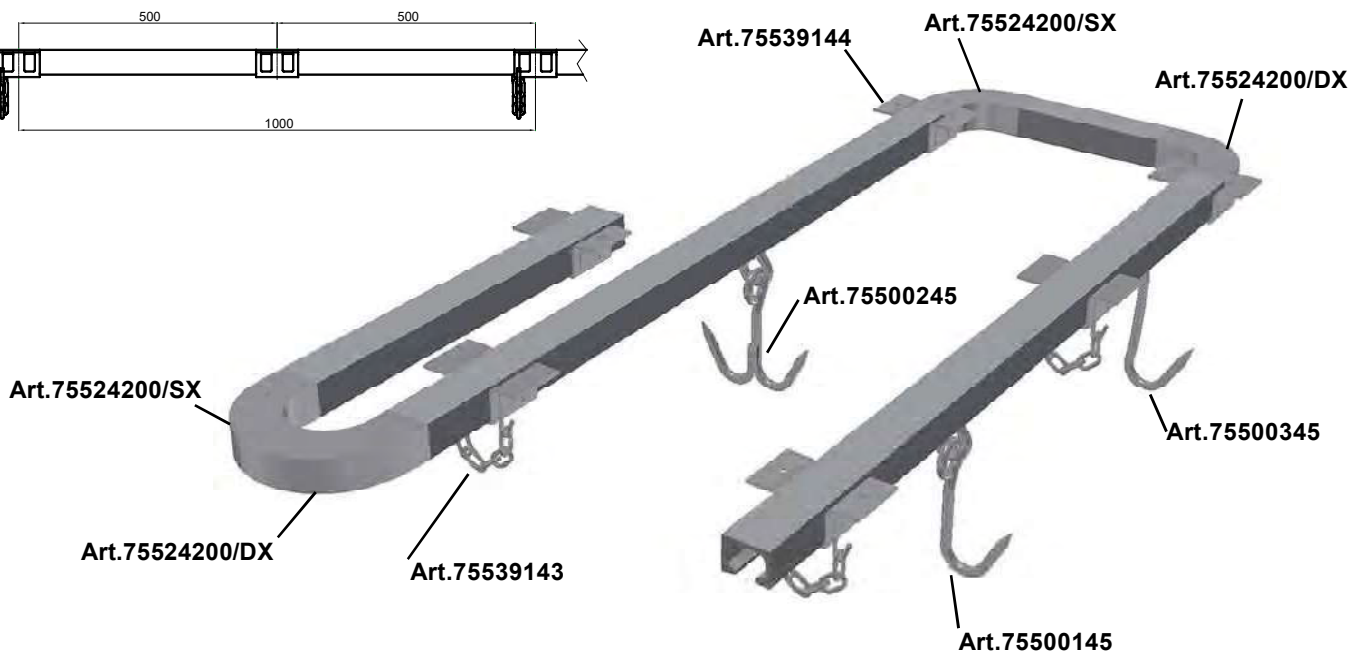
Art.75524200/SX - 1,110 kg



Esempio di distanza dei supporti
Example distance between supports



Esempio schema di montaggio
Structural arrangement example





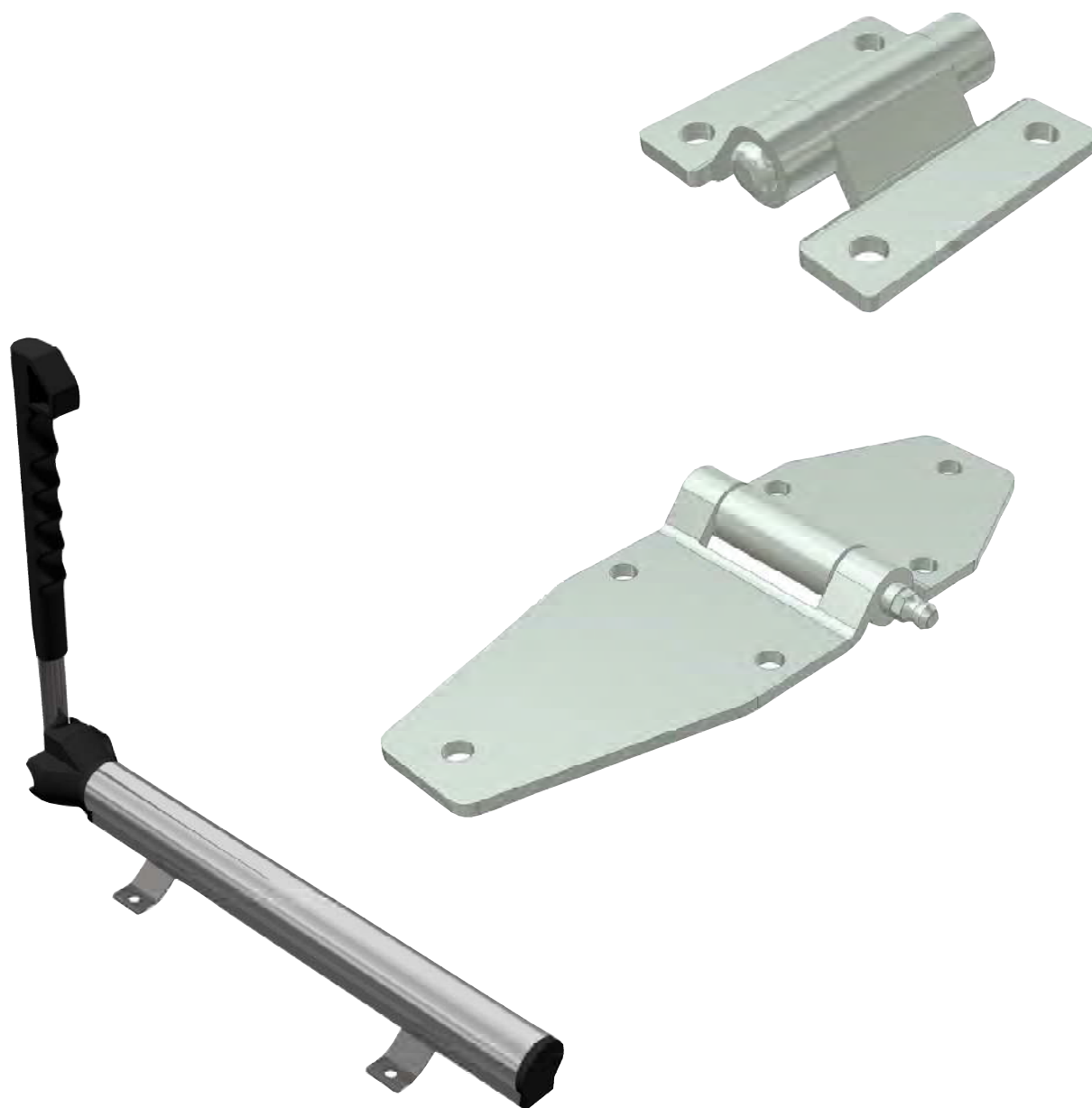
KOUTSOFTA
BROS.

A&G KOUTSOFTA BROS LTD

23 Markou Drakou, Dasaki Achnas, Cyprus

koutsoftabros@cytanet.com.cy

Tel: +357 24722500



13

- Cerniere
- Fermaporta
- Accessori per furgoni frigoriferi

- *Hynge*
- *Stop door*
- *Fitting for frigo van*



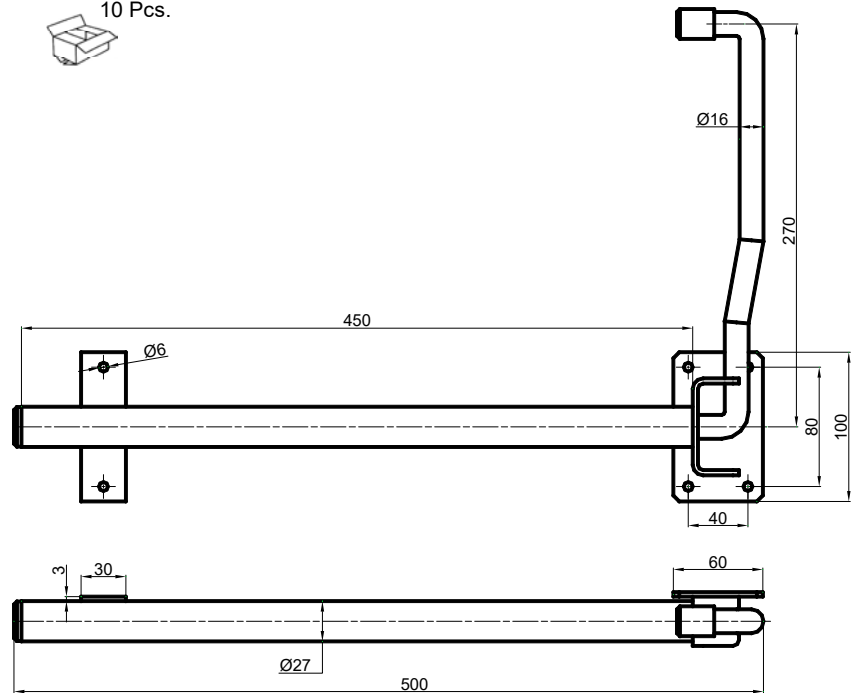
Ferma porta sottotelaio con attacco piatto
Door retainer with plate supports

Art. 80296110 Zincata - Zinc plated

Art. 80296510 Inox - Stainless steel

2,000 kg

10 Pcs.

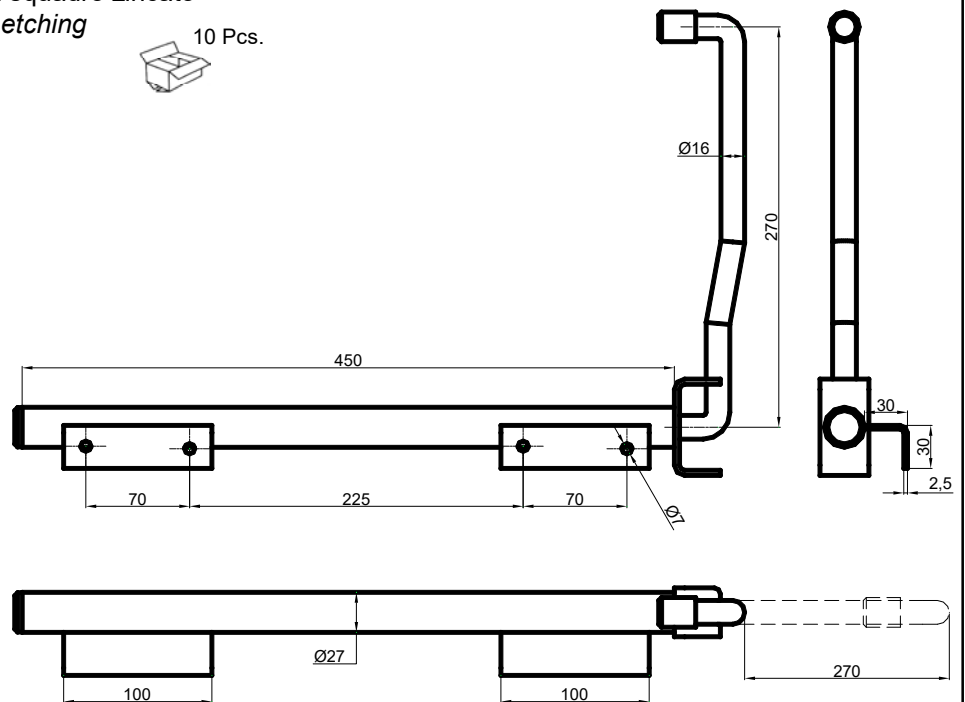
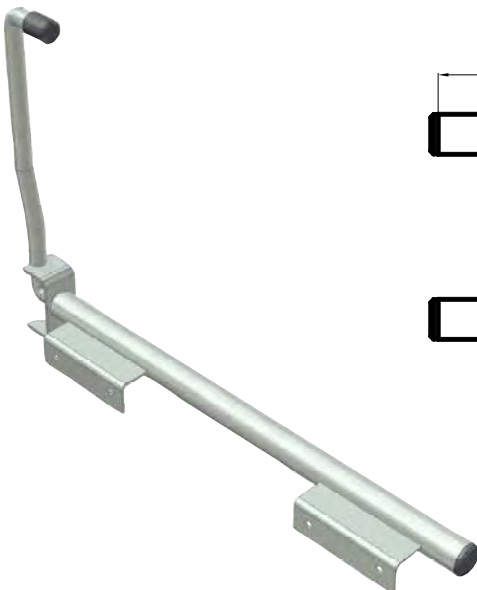


Ferma porta sottotelaio con attacco a squadro zincato
Zinc plated door retainer with square etching

Art. 80296310

2,150 kg

10 Pcs.





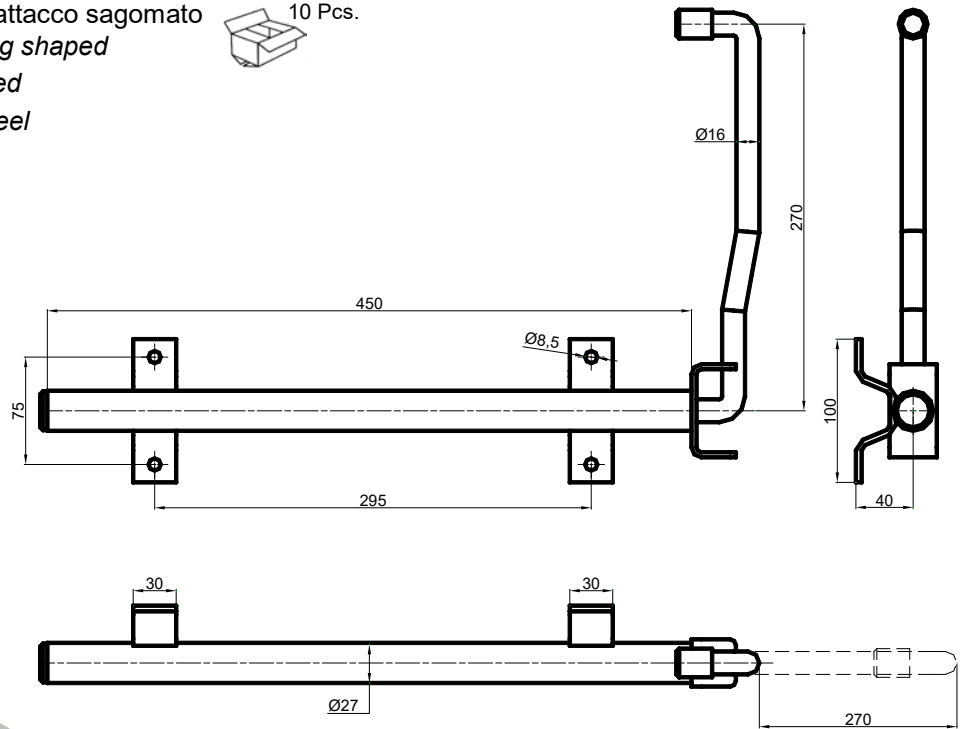
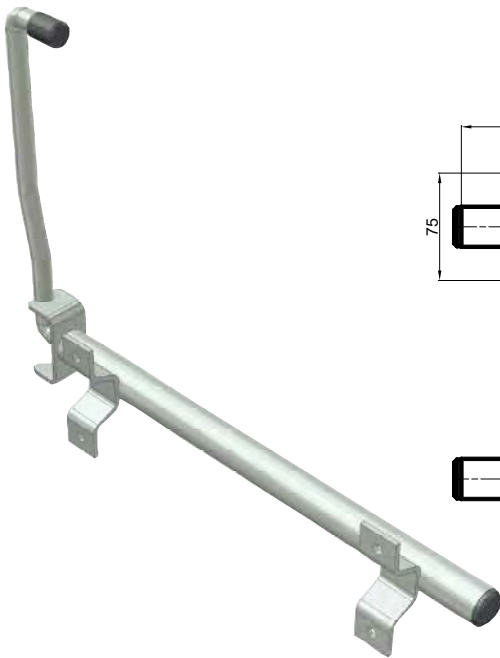
Ferma porta sottotelaio zincato con attacco sagomato
Zinc plated door retainer with etching shaped



Art. 80296710 Zincata - Zinc plated

Art. 80296910 Inox - Stainless steel

2,100 kg

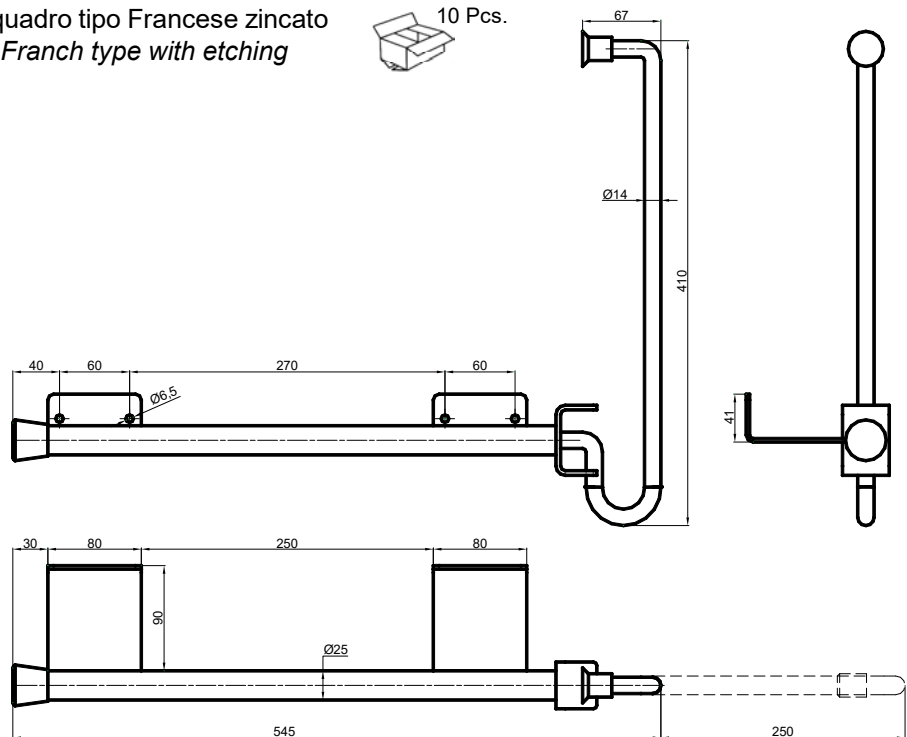
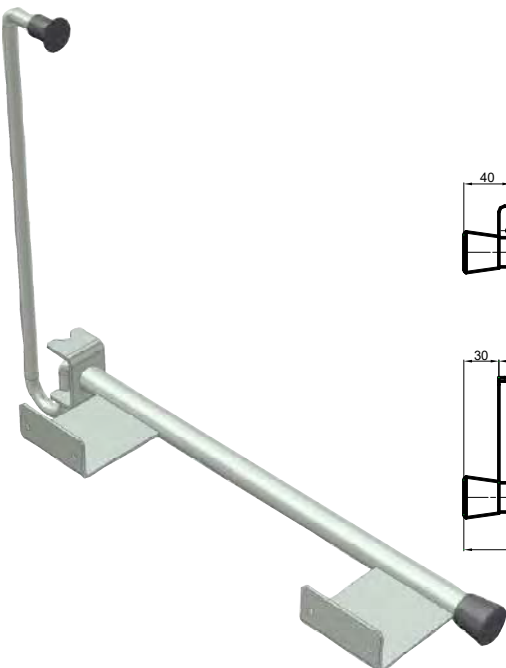


Ferma porta sottotelaio con attacco a squadra tipo Francese zincato
Zinc plated door retainer under chassis Franch type with etching



Art. 80296810

2,550 kg





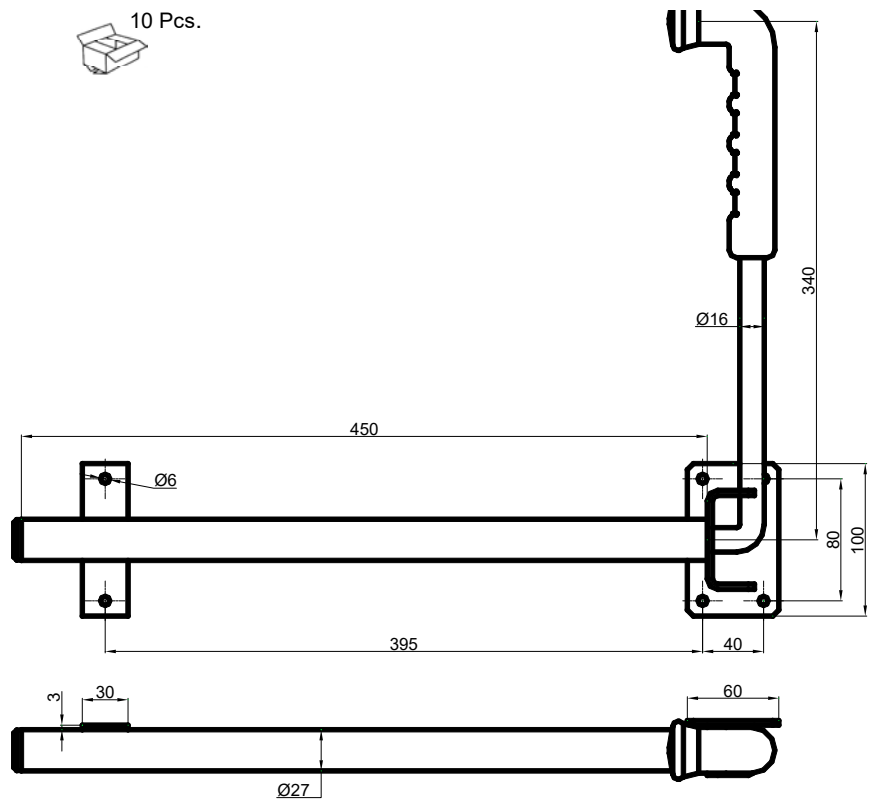
Ferma porta sottotelaio con attacco piatto
Door retainer with plate supports

Art. 80296115 Zincata - Zinc plated

Art. 80296515 Inox - Stainless steel

2,000 kg

10 Pcs.

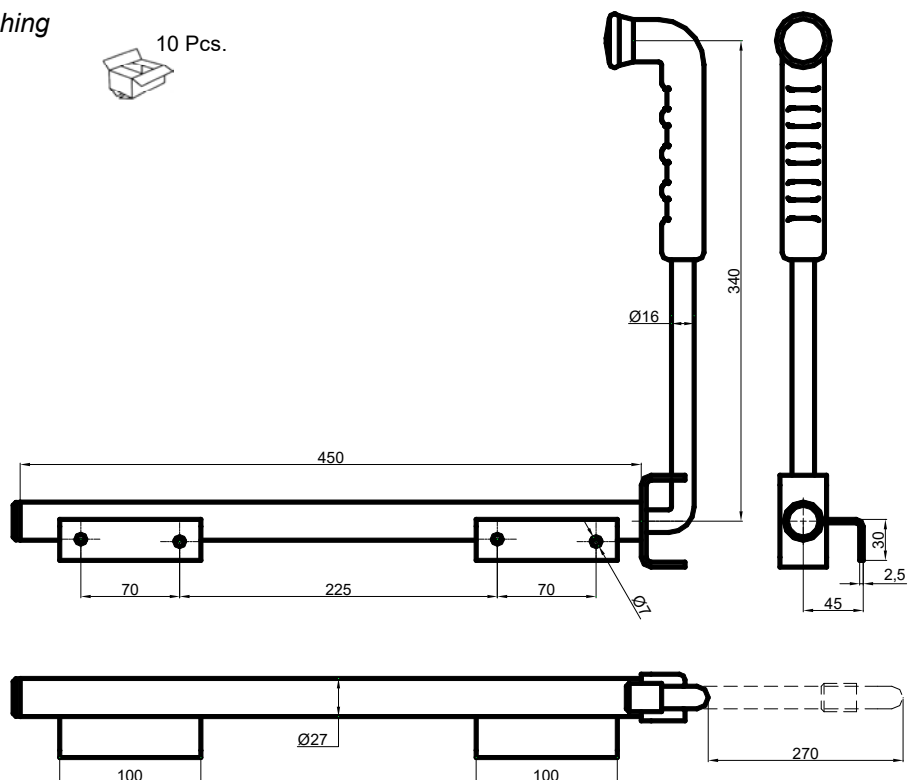


Ferma porta sottotelaio con attacco a squadra zincato
Zinc plated door retainer with square etching

Art. 80296315

2,150 kg

10 Pcs.





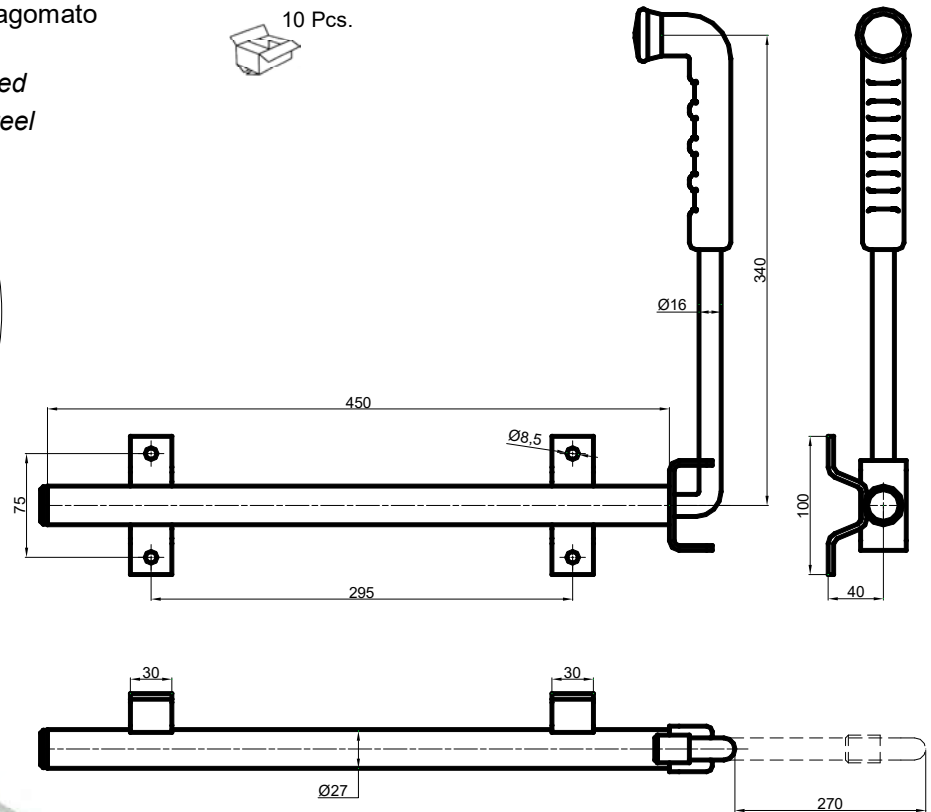
Ferma porta sottotelaio con attacco sagomato
Door retainer with etching shaped

Art. 80296715 Zincata - Zinc plated

Art. 80296915 Inox - Stainless steel

2,100 kg

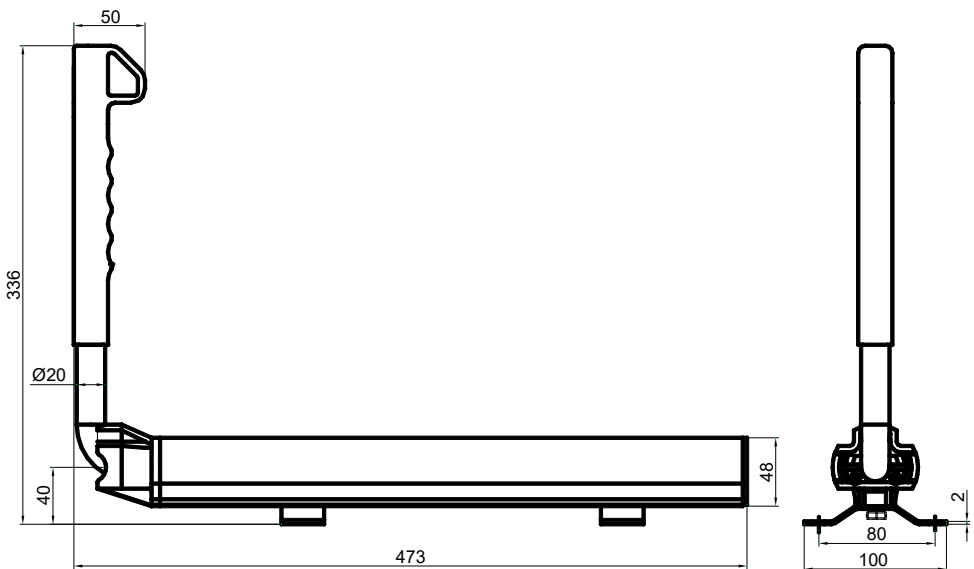
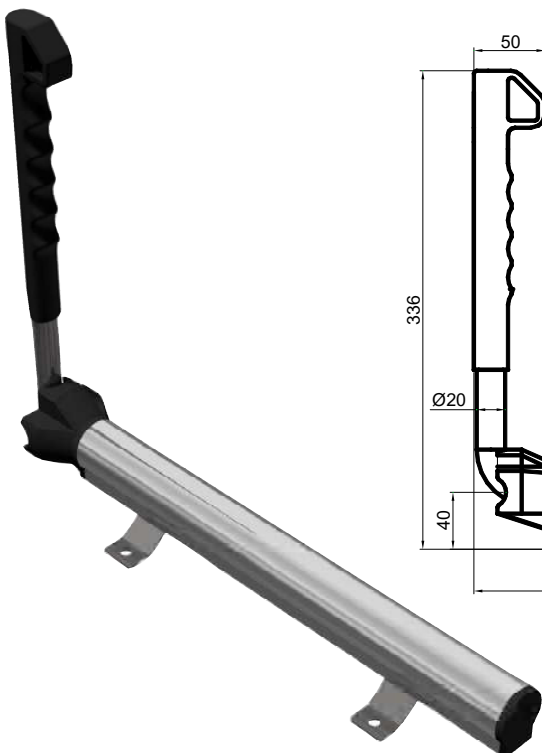
10 Pcs.



Ferma porta sottotelaio alluminio/inox con attacco sagomato
Aluminium/stainless steel door retainer with etching shaped

Art. 80296410

2,400 kg

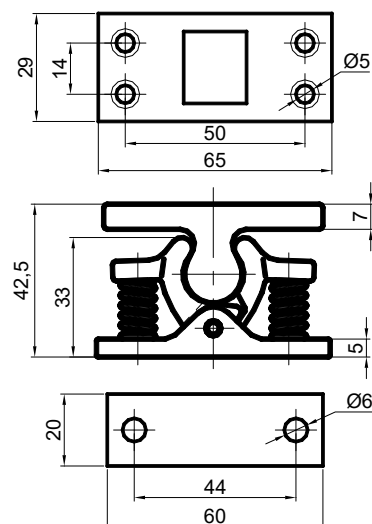




Ferma porta autoallineante zincato
Galvanized self-aligning door retainer

Art. 80700800

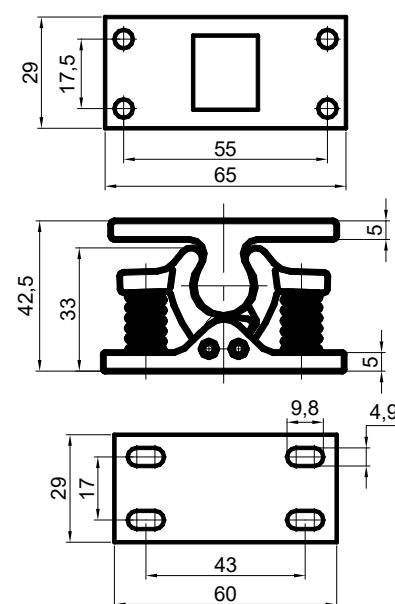
0,240 kg



Ferma porta autoallineante nylon bianco
White nylon sel-aligning door retainer

Art. 80700801

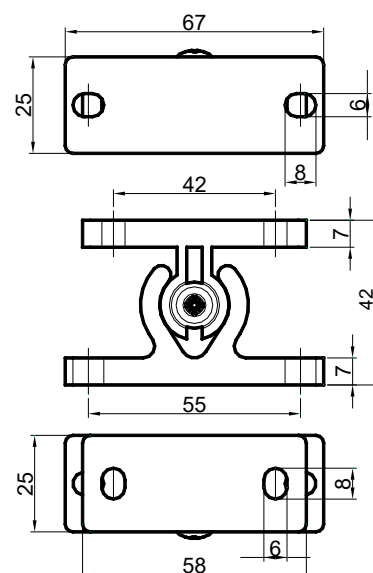
0,040 kg



Ferma porta regolabile nylon bianco
White nylon door retainer adjustable

Art. 80700802

0,040 kg



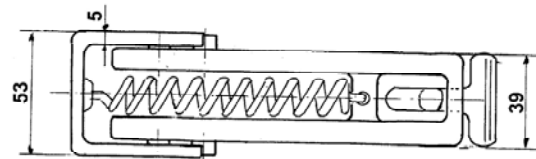
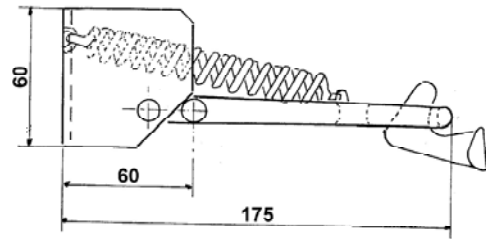


Gancio grezzo ferma porta

Raw closing door

Art. 25701600

0,680 kg

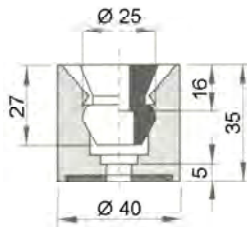
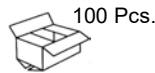


Ferma porta femmina in PVC

PVC Door holder flush female

Art. 80700665

0,050 kg



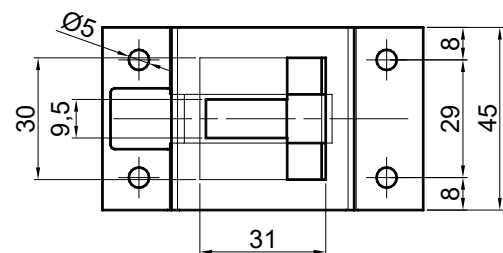
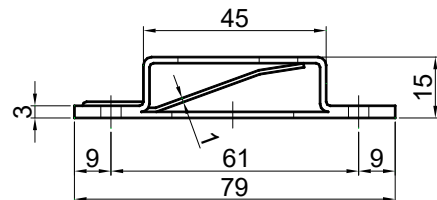
Ferma porta femmina con piastra

Door holder flush female with plate

Art. 80905400 Zincata - Zinc plated

Art. 80905600 Inox - Stainless steel

0,070 kg

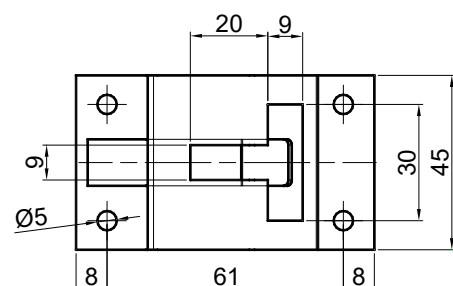
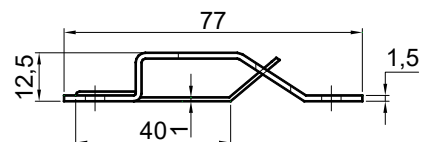


Ferma porta femmina

Door holder flush female

Art. 80905620 Inox - Stainless steel

0,045 kg





Ferma porta maschio L= 122 mm
Door holder flush male L= 122 mm

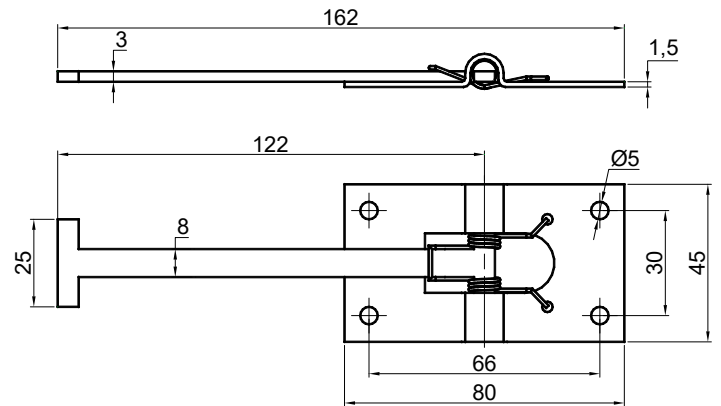
Art. 81225510 Zincata - Zinc plated

Art. 81225520 Inox - Stainless steel

0,150 kg



250 Pcs.



Ferma porta maschio L= 92 mm

Door holder flush male L= 92 mm

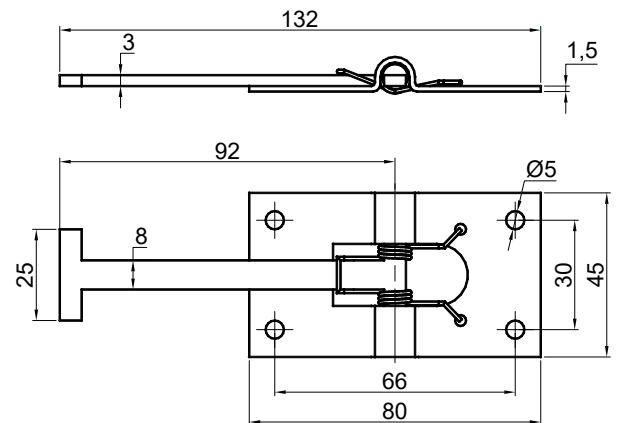
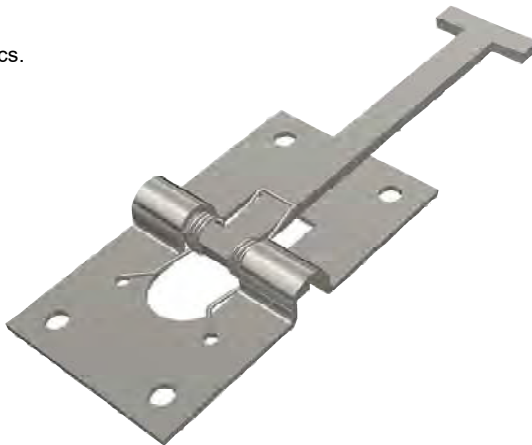
Art. 80905300 Zincata - Zinc plated

Art. 80905500 Inox - Stainless steel

0,130 kg



250 Pcs.



Protezione in plastica

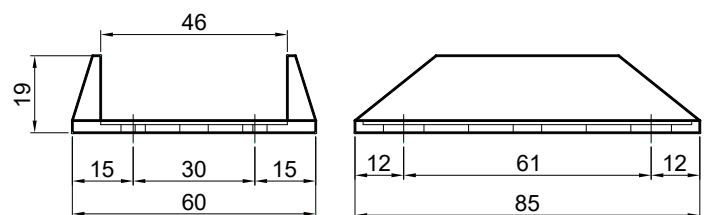
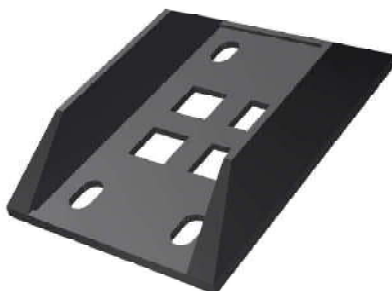
PVC Protection plate

Art. 80905700

0,025 kg



250 Pcs.





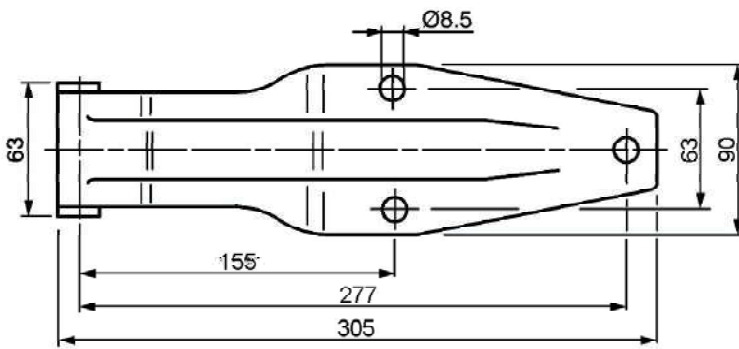
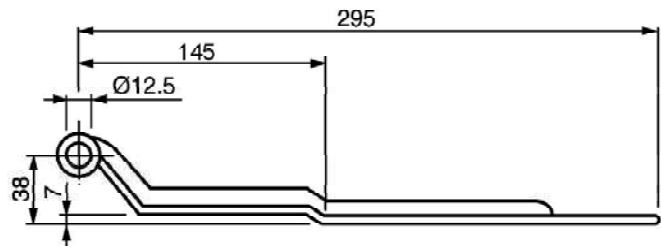
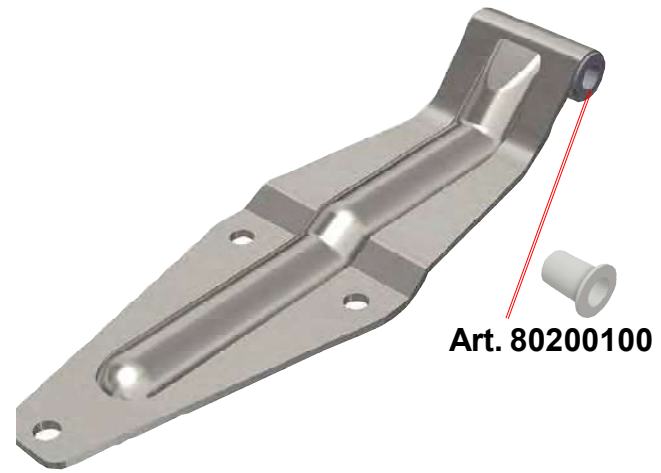
Cerniera foglia salto gomma

Leaf raised blade hinge

Art. 80276110 Zincata - Zinc plated

Art. 80476100 Vernice epossidica - Grey painted

0,700 kg

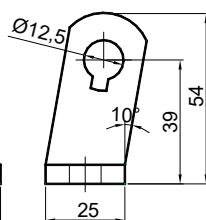
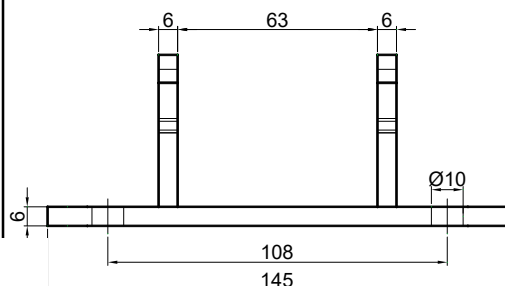
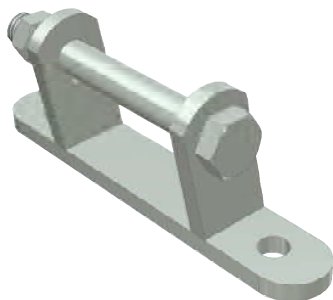


Cardine ad avvitare completo di bullone

Bracket to screw with bolt and nut

Art. 80276410 Zincata - Zinc plated

0,345 kg



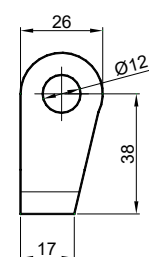
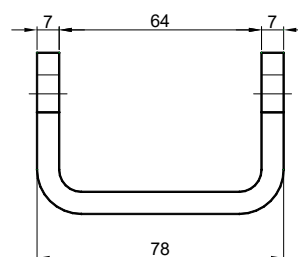
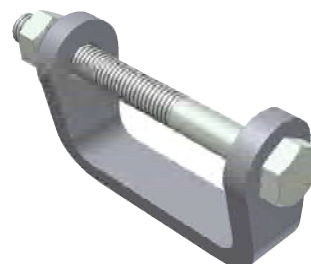
Cardine a saldare completo di bullone

Bracket to weld with bolt and nut

Art. 80280100 Grezzo - Raw

Art. 80280110 Zincato - Zinc plated

0,160 kg

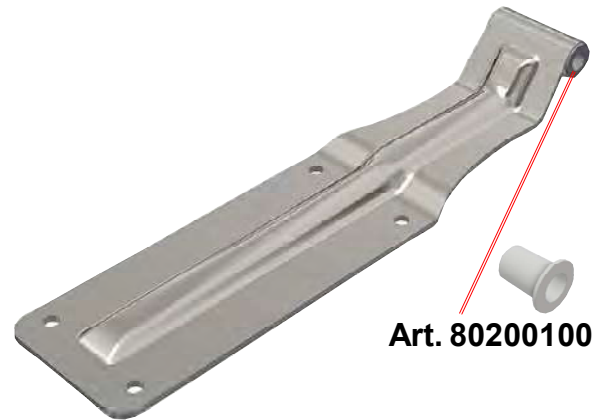




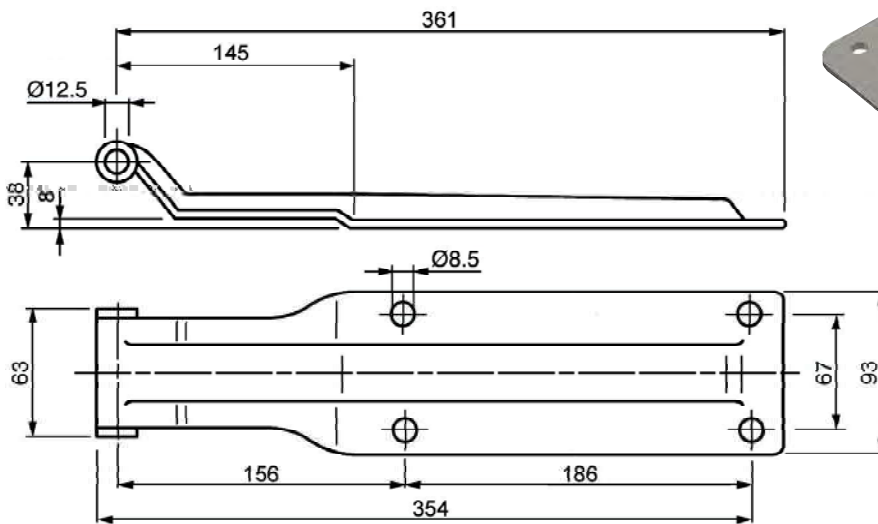
Cerniera rettangolare salto gomma con 4 fori
Rectangular raised blade hinge with 4 holes

Art. 80274110 Zincata - Zinc plated

1,020 kg



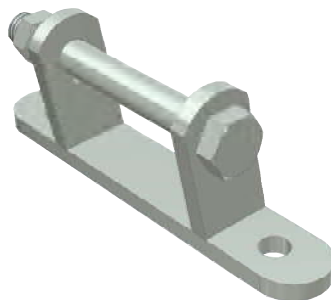
Art. 80200100



Cardine ad avvitare completo di bullone
Bracket to screw with bolt and nut

Art. 80276410 Zincata - Zinc plated

0,345 kg

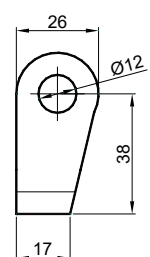
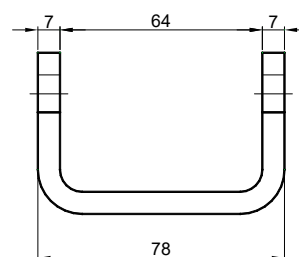
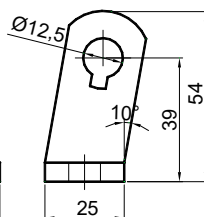
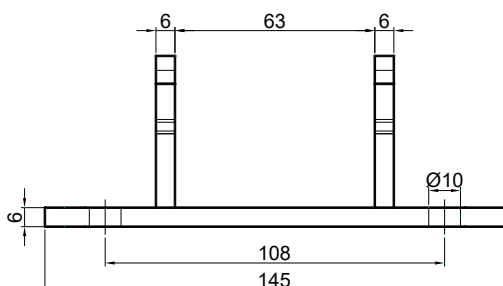
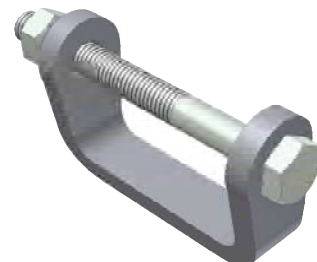


Cardine a saldare completo di bullone
Bracket to weld with bolt and nut

Art. 80280100 Grezzo - Raw

Art. 80280110 Zincato - Zinc plated

0,160 kg

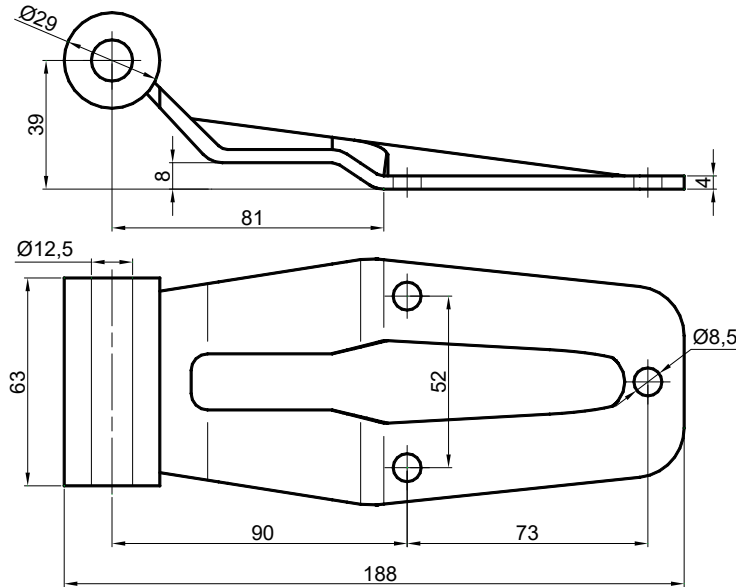
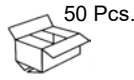




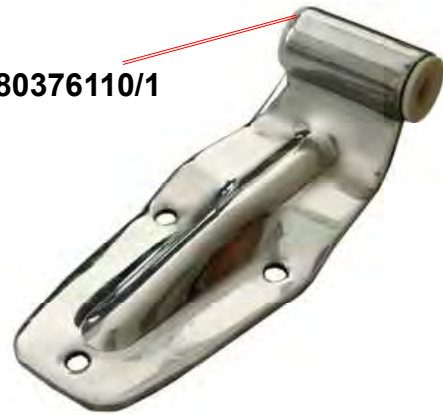
Cerniera piccola
Small door hinge

Art. 80396210 Inox - Stainless steel

0,460 kg



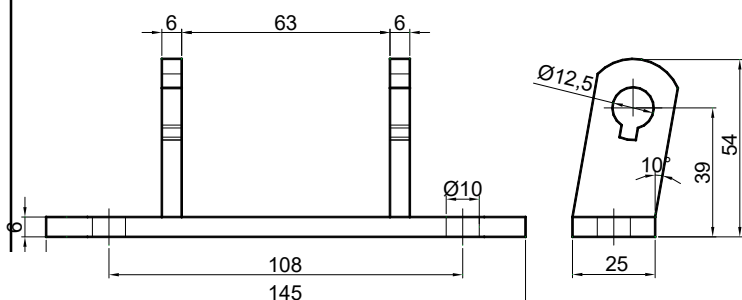
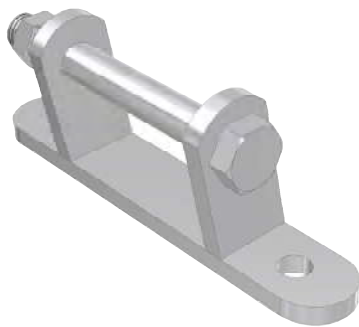
Art. 80376110/1



Cardine ad avvitare completo di bullone
Bracket to screw with bolt and nut

Art. 80276500 Inox - Stainless steel

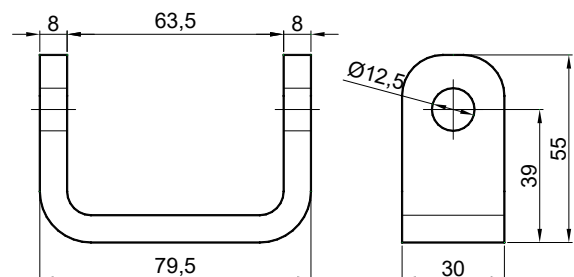
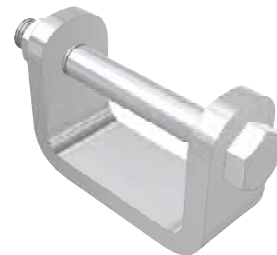
0,345 kg



Cardine a saldare completo di bullone
Bracket to weld with bolt and nut

Art. 80380210 Inox - Stainless steel

0,160 kg





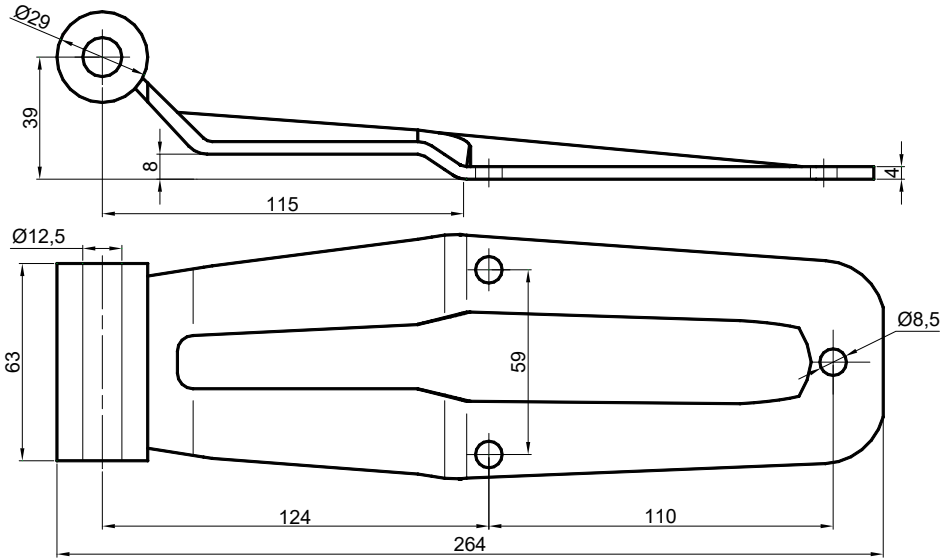
Cerniera media
Medium door hinge

Art. 80386210 Inox - Stainless steel
0,640 kg



50 Pcs.

Art. 80376110/1

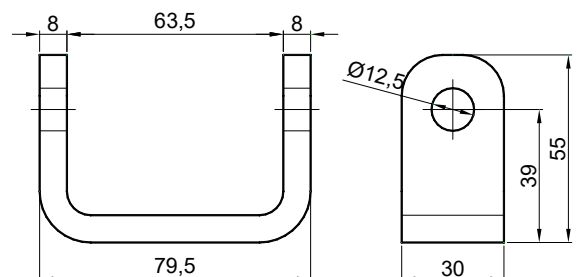
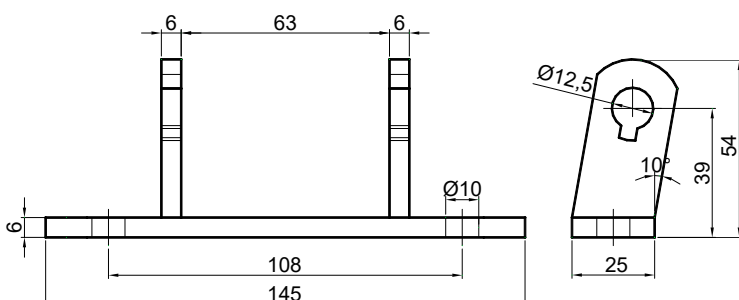
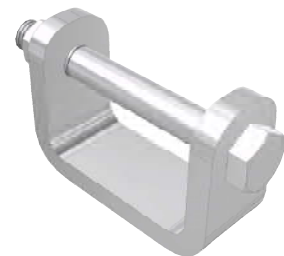
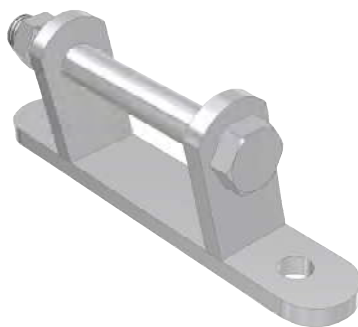


Cardine ad avvitare completo di bullone
Bracket to screw with bolt and nut

Art. 80276500 Inox - Stainless steel
0,345 kg

Cardine a saldare completo di bullone
Bracket to weld with bolt and nut

Art. 80380210 Inox - Stainless steel
0,160 kg





Cerniera grande
Heavy door hinge

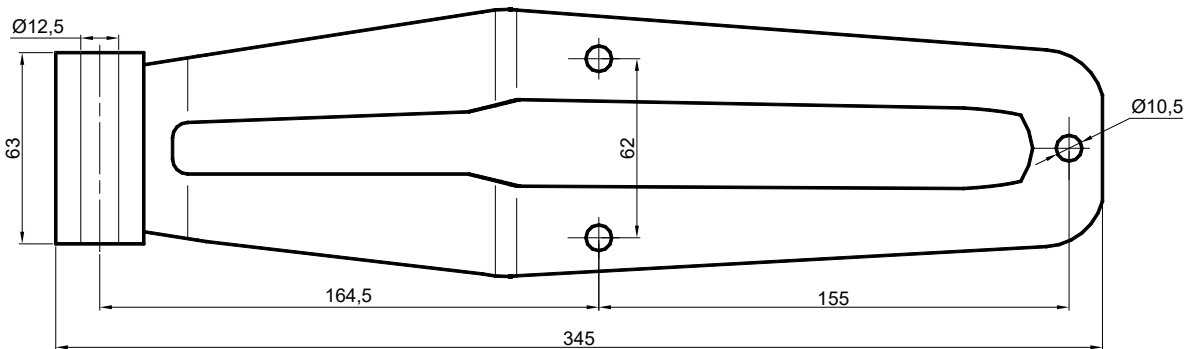
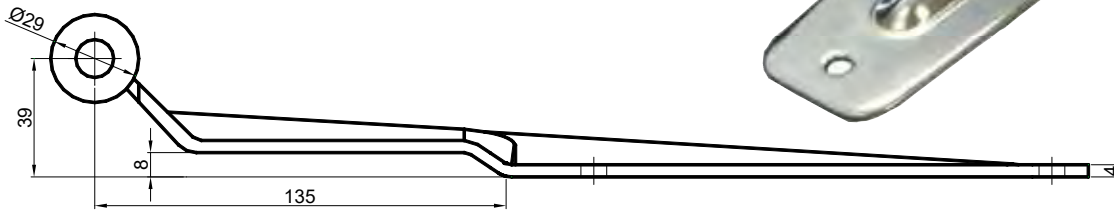
Art. 80376110 Zincata - Zinc plated

Art. 80376210 Inox - Stainless steel

0,820 kg



Art. 80376110/1

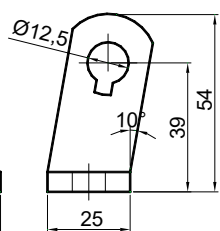
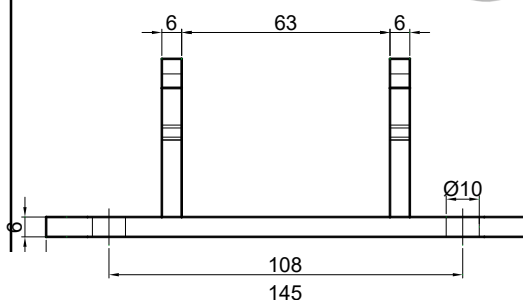
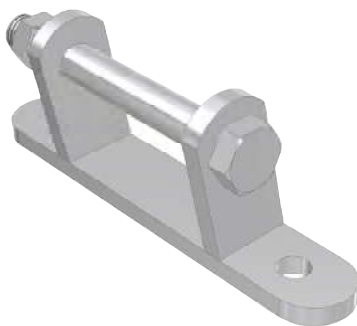


Cardine ad avvitare completo di bullone
Bracket to screw with bolt and nut

Art. 80276410 Zincata - Zinc plated

Art. 80276500 Inox - Stainless steel

0,345 kg

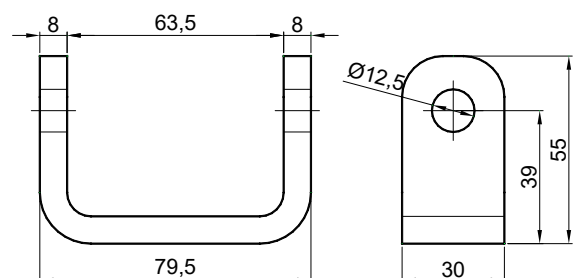
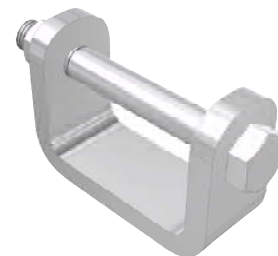


Cardine a saldare completo di bullone
Bracket to weld with bolt and nut

Art. 80280210 Zincata - Zinc plated

Art. 80380210 Inox - Stainless steel

0,160 kg



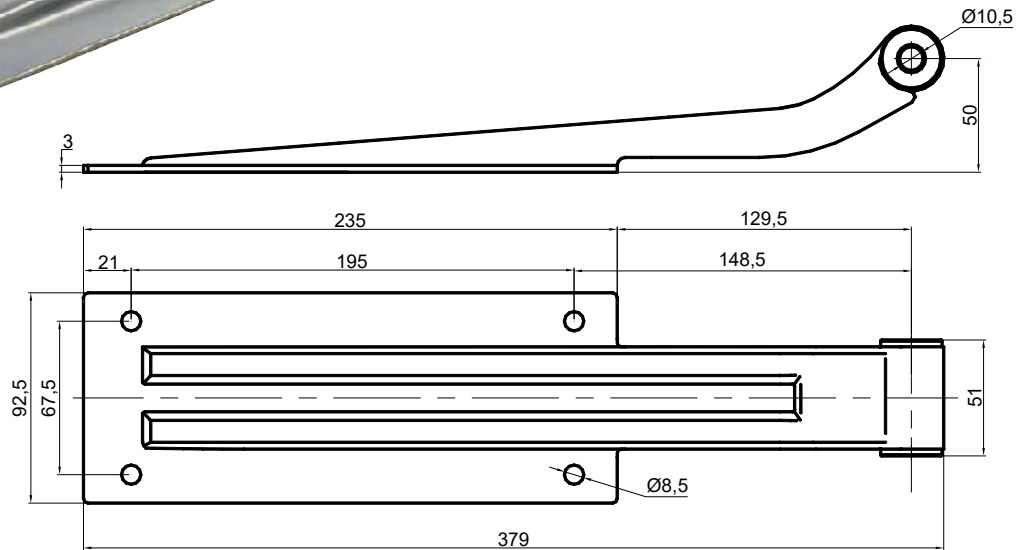
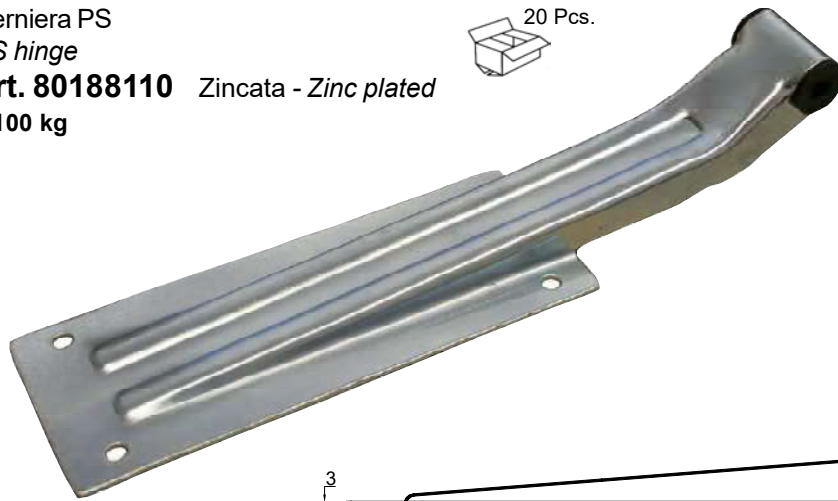


Cerniera PS

PS hinge

Art. 80188110 Zincata - Zinc plated

1,100 kg

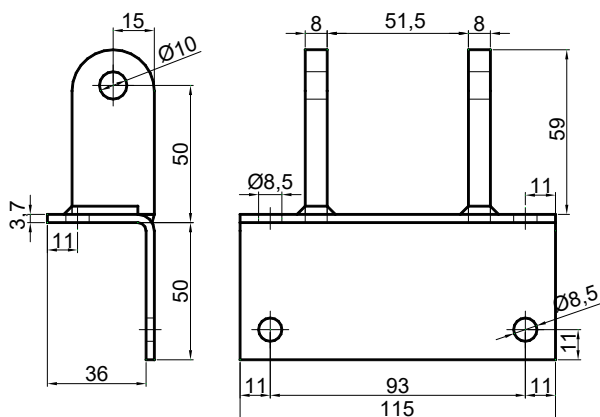
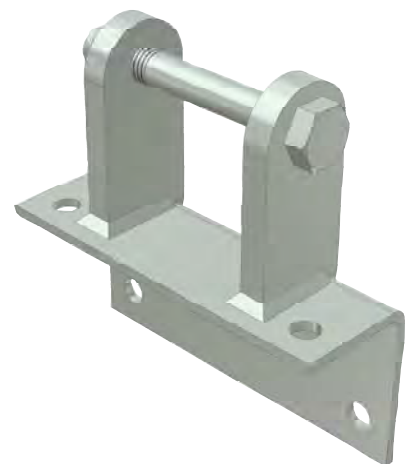


Cardine ad avvitare completo di bullone

Bracket to screw with bolt and nut

Art. 80521110 Zincata - Zinc plated

0,530 kg





KOUTSOFTA
BROS.

A&G KOUTSOFTA BROS LTD

23 Markou Drakou, Dasaki Achnas, Cyprus

koutsoftabros@cytanet.com.cy

Tel: +357 24722500

Cerniera salto gomma

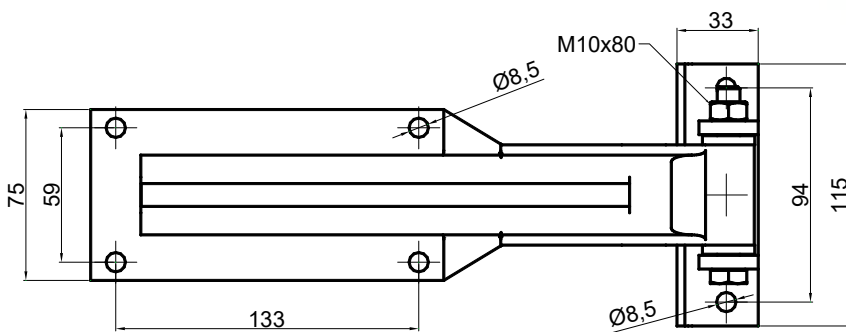
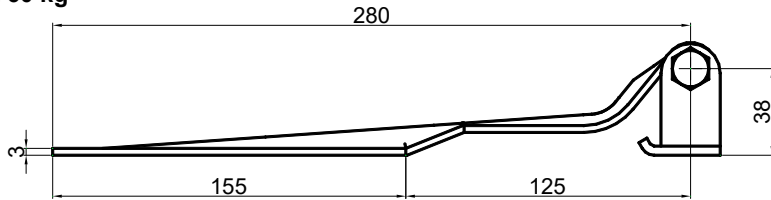
Raised blade hinge

Art. 80399110 Zincata - Zinc patled

Art. 80399210 Inox - Stainless steel

0,760 kg

25 Pcs.



Cerniera salto gomma

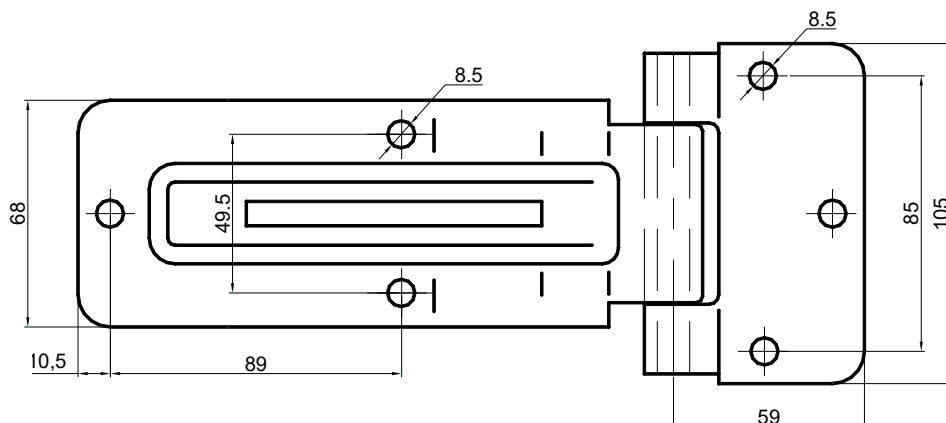
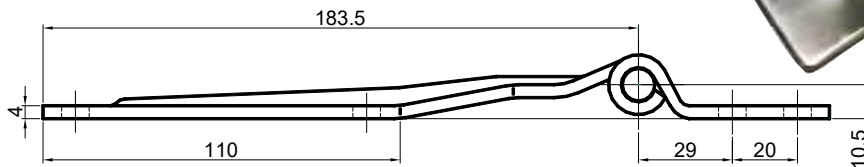
Raised blade hinge

Art. 80600400 Zincata - Zinc plated

Art. 80600407 Inox - Stainless steel

0,610 kg

50 Pcs.





Cerniera piana pesante 165

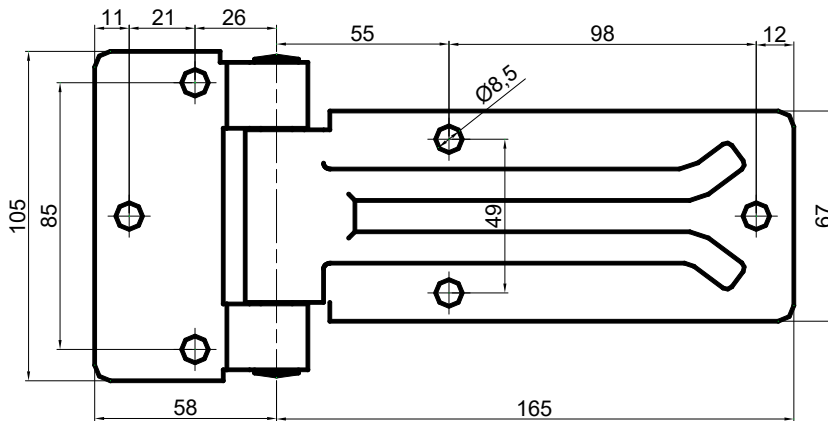
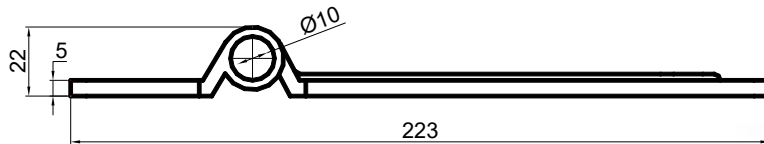
165 flat blade hinge

Art. 80500110 Zincata - Zinc plated

0,830 kg



50 Pcs.



Cerniera con cardine a saldare

Hinge with welding bracket

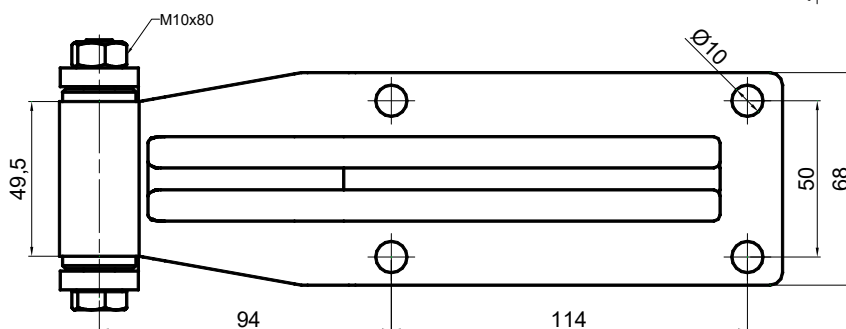
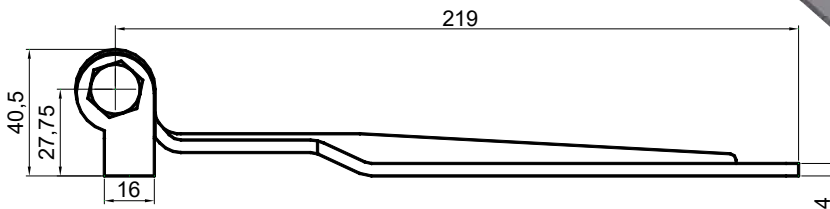
Art. 80600500 Zincata - Zinc plated

Art. 80600507 Inox - Stainless steel

0,675 kg



50 Pcs.





Cerniera Basket piana
Basket flat blade hinge

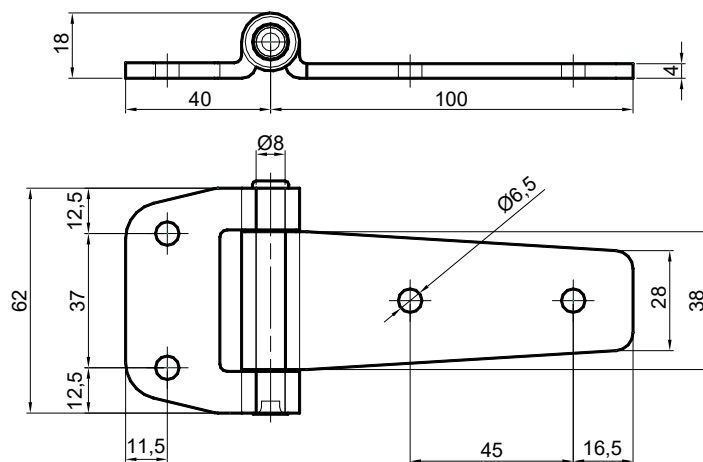
Art. 80113110 Zincata - *Zinc plated*

Art. 80113210 Inox - *Stainless steel*

0,235 kg



100 Pcs.



Cerniera salto gomma interasse 21 mm
Raised blade hinge 21 mm distance between holes

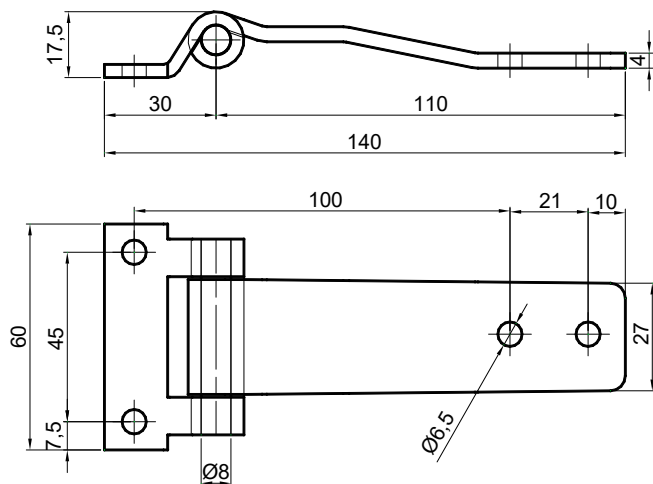
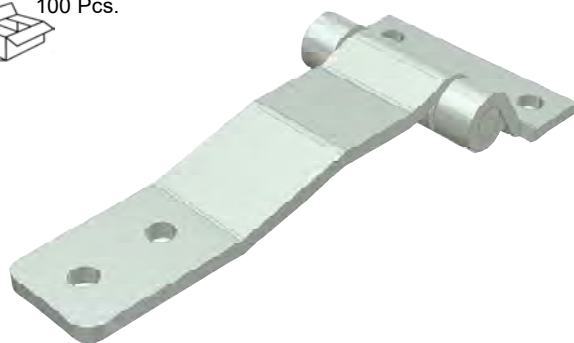
Art. 80316110 Zincata - *Zinc plated*

Art. 80318100 Inox - *Stainless steel*

0,195 kg



100 Pcs.

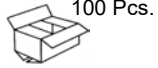




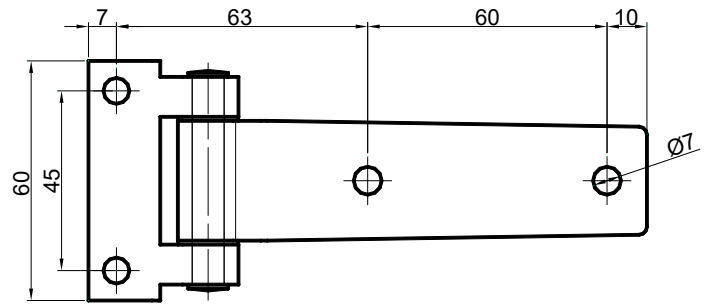
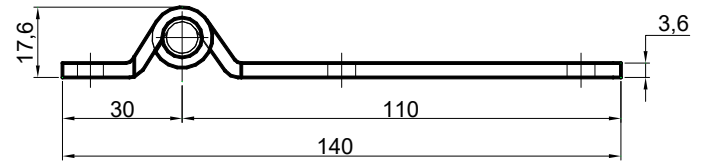
Cerniera piana
Hinge flat blade

Art. 80312110 Zincata - Zinc plated

0,195 kg



100 Pcs.



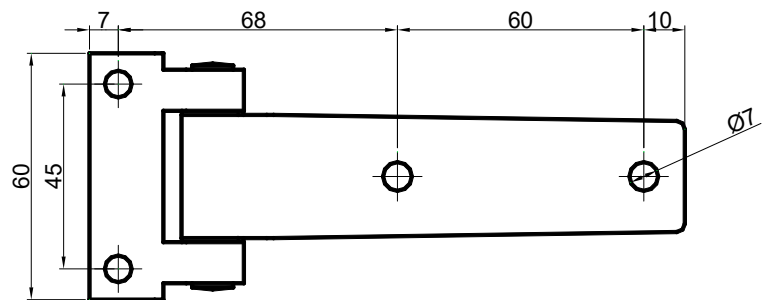
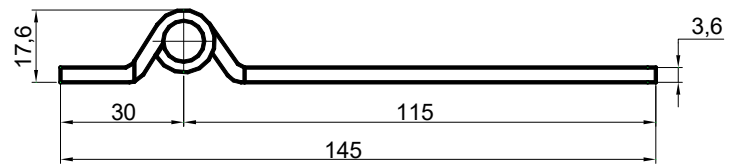
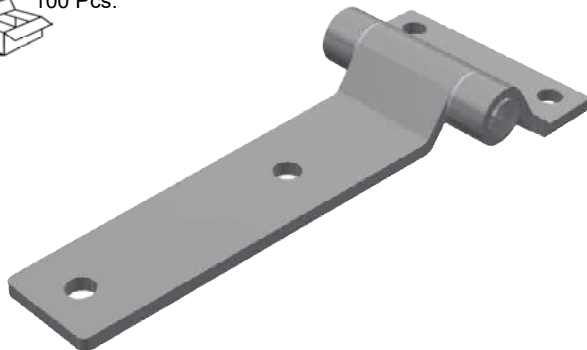
Cerniera piana
Hinge flat blade

Art. 80314100 Inox - Stainless steel

0,195 kg



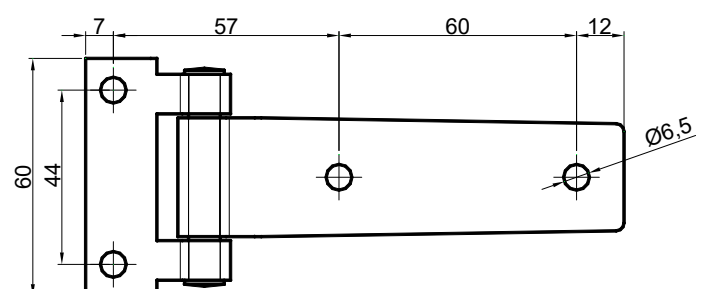
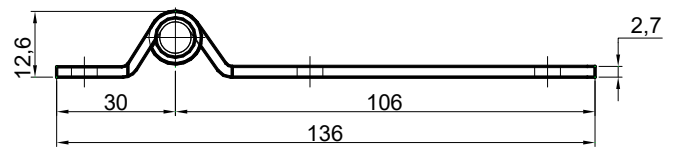
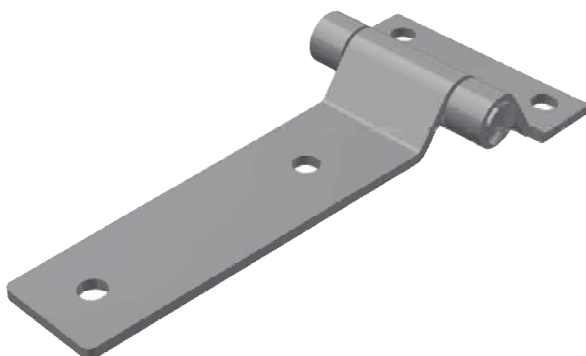
100 Pcs.



Cerniera piana
Hinge flat blade

Art. 80314100/K Inox - Stainless steel

0,125 kg





Cerniera piatta con fori asolati

Flat blade hinge with slot holes

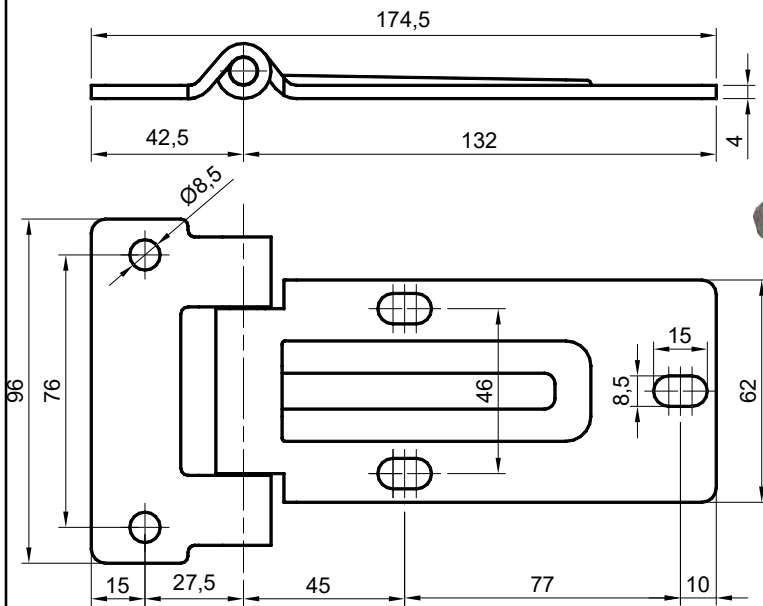
Art. 80650110 Zincata - Zinc plated

Art. 80650210 Inox - Stainless steel

0,450 kg



25 Pcs.



Cerniera salto gomma con fori asolati

Raised blade hinge with slot holes

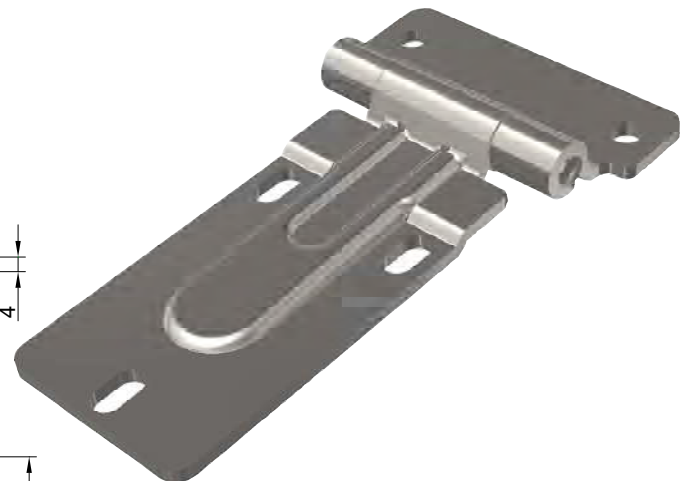
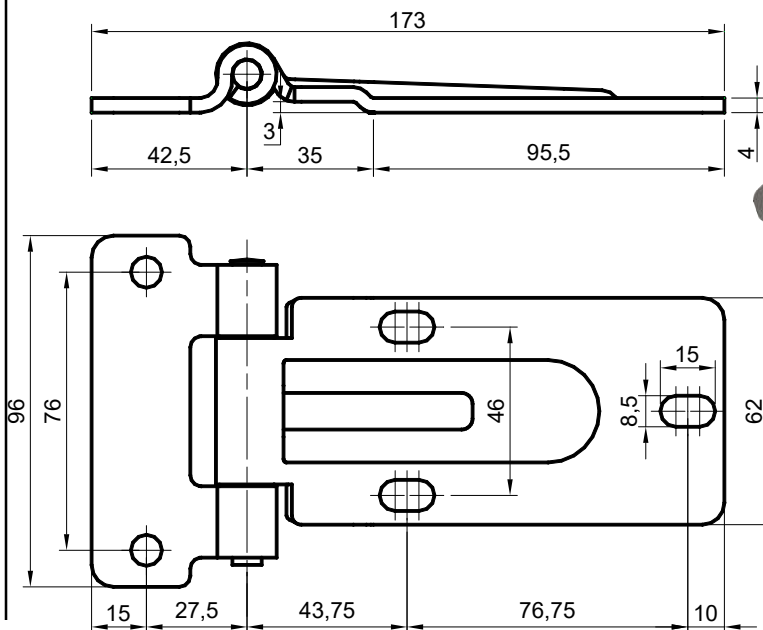
Art. 80660110 Zincata - Zinc plated

Art. 80660210 Inox - Stainless steel

0,430 kg



25 Pcs.





Cerniera laterale

Frigo van hinge

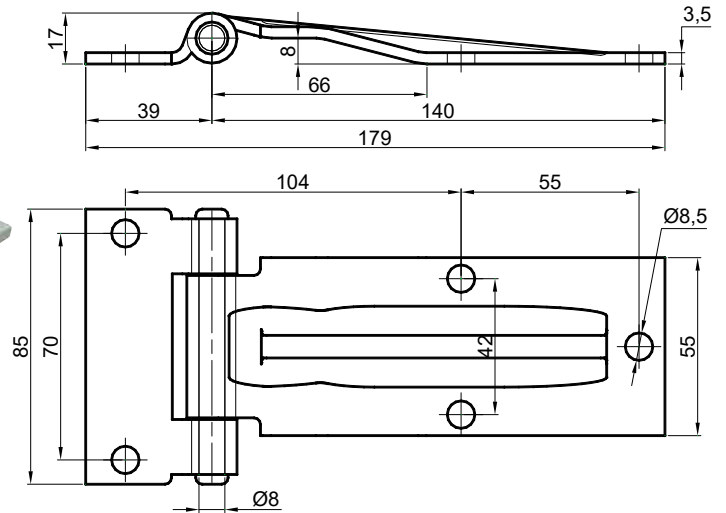
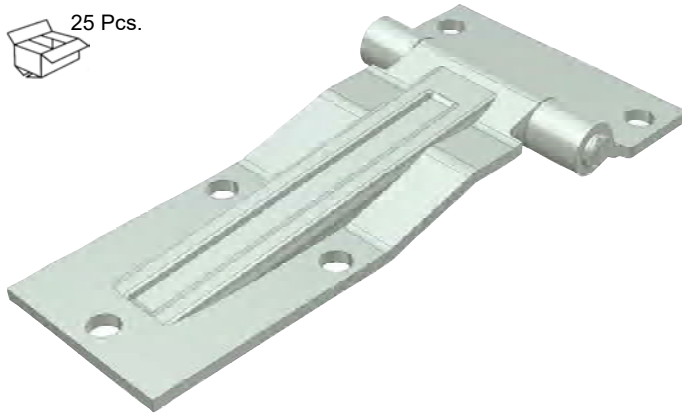
Art. 80600300 Zincata - Zinc plated

Art. 80600307 Inox - Stainless steel

0,375 kg



25 Pcs.



Cerniera doppia articolazione

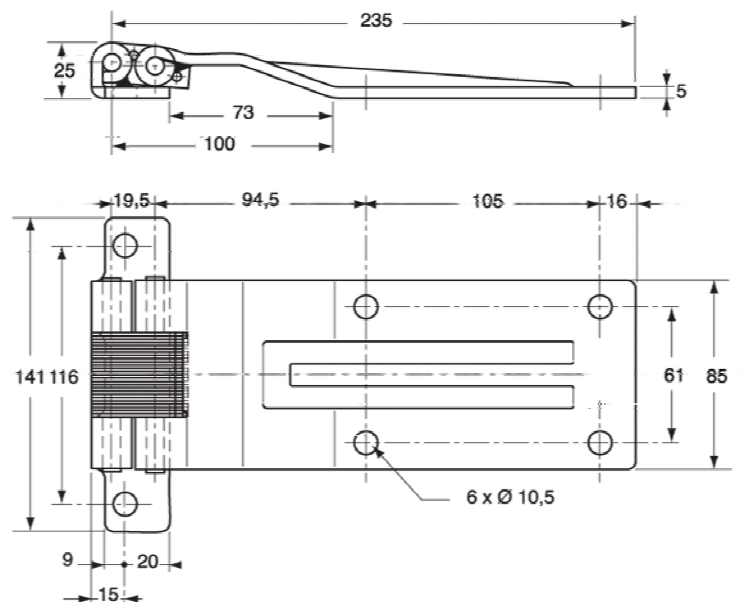
Hinge with double articulation

Art. 80600560 Zincata - Zinc plated

1,160 kg



20 Pcs.





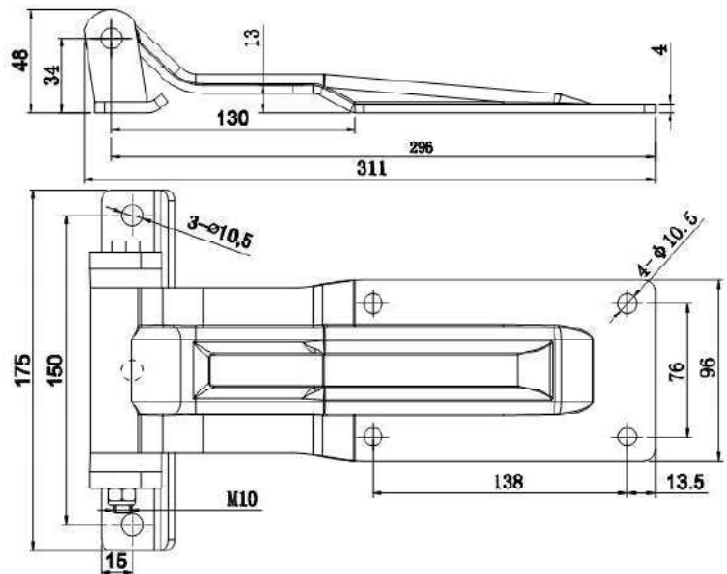
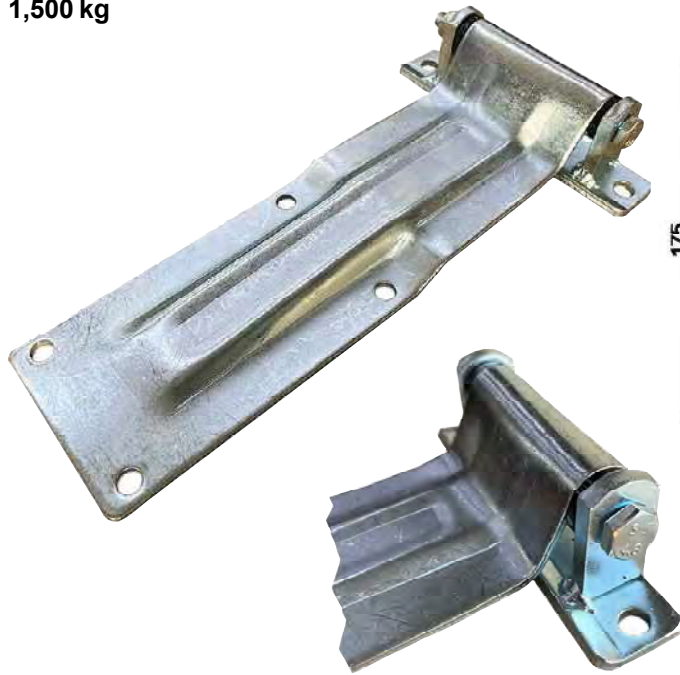
Cerniera BIG completa di cardine a vitare

BIG hinge with bracket to screw

Art. 80400110 Zincata - Zinc plated

Art. 80400210 Inox - Stainless steel

1,500 kg

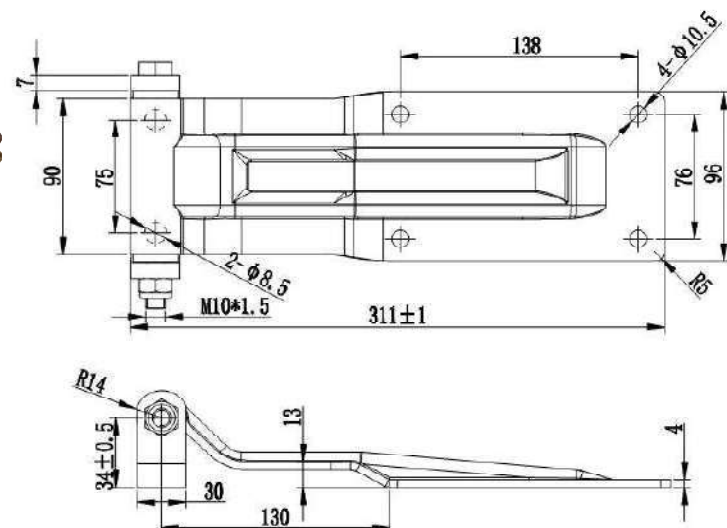
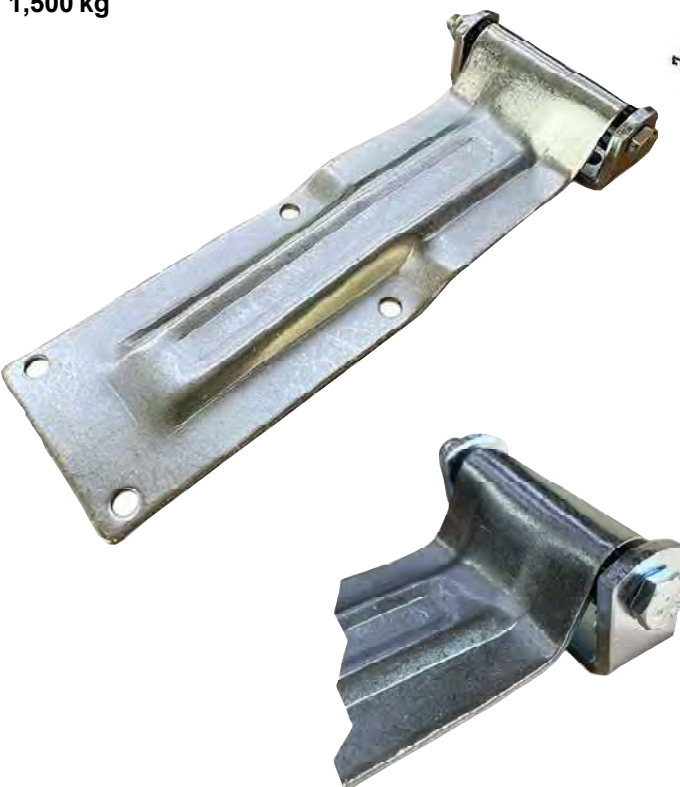


Cerniera BIG completa di cardine a saldare

BIG hinge with bracket to weld

Art. 80400111 Zincata - Zinc plated

1,500 kg





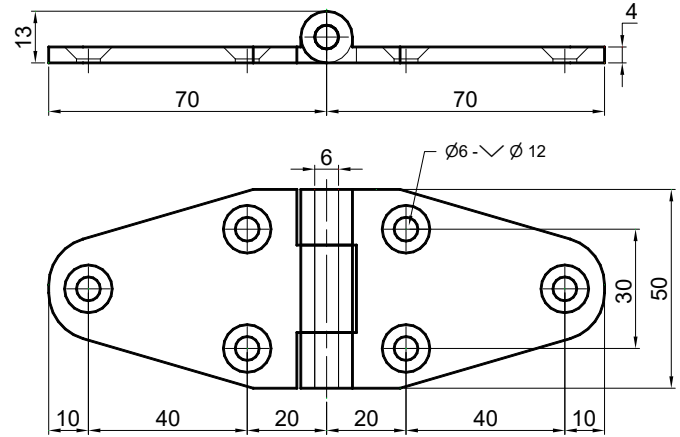
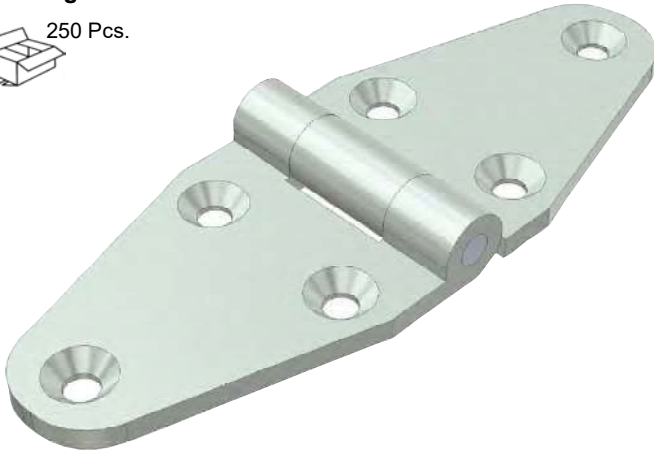
Cerniera in **micro fusione** con 6 fori svasati
Hinge in **precision casting** with 6 countersunk holes

Art. 80496110 Zincata - Zinc plated

0,175 kg



250 Pcs.



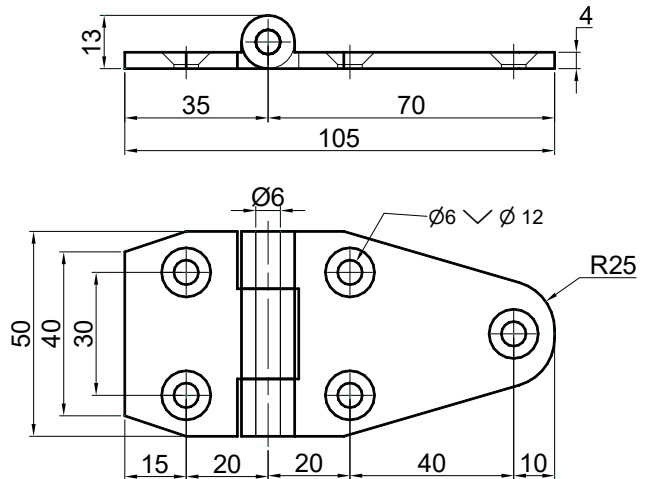
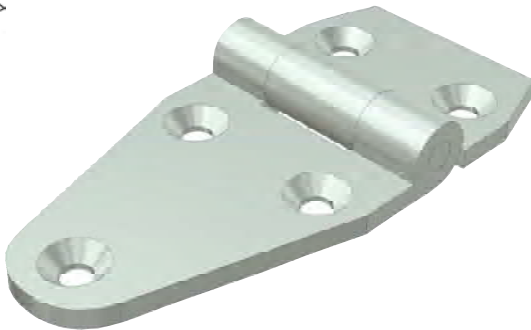
Cerniera in **micro fusione** con 5 fori svasati
Hinge in **precision casting** with 5 countersunk holes

Art. 80495110 Zincata - Zinc plated

0,150 kg



250 Pcs.



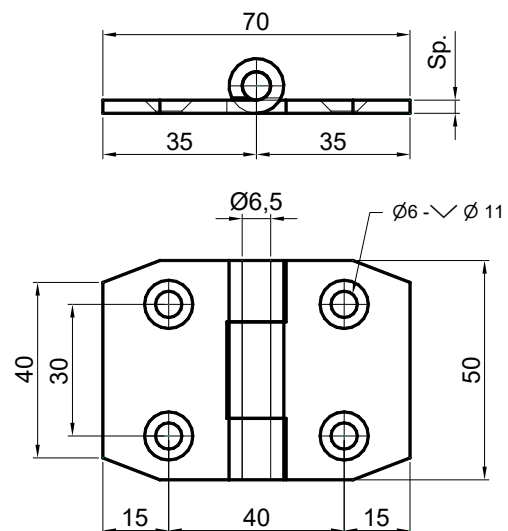
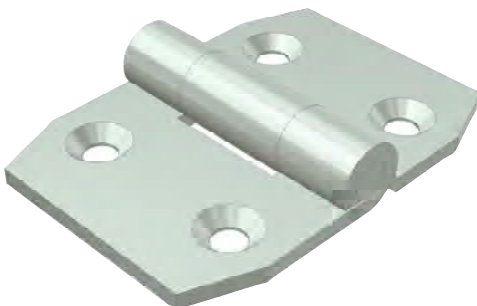
Cerniera "Rota" in **micro fusione** Sp. 3,8
Hinge **precision casting** "Rota" thickness 3,8

Art. 80494110 Zincata - Zinc plated

0,120 kg



250 Pcs.

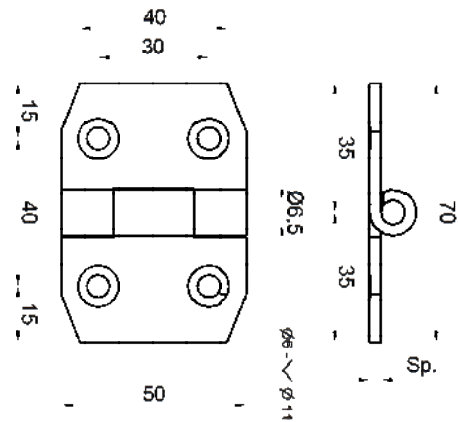
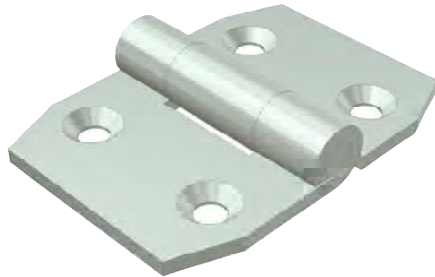




Cerniera "Rota" in lamiera stampata Sp. 2,7
Hinge in **stamped plate** "Rota" thickness 2,7

Art. 80325100 Zincata - Zinc plated

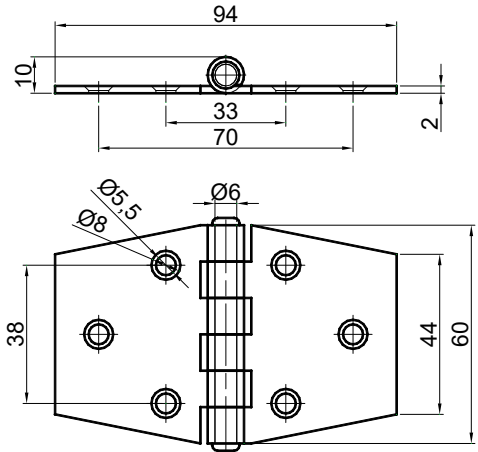
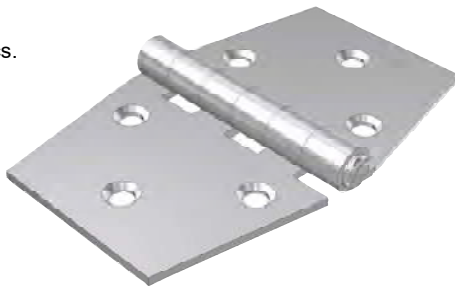
0,095 kg



Cerniera piana
Piano hinge

Art. 80088800 Inox - Stainless steel

0,100 kg



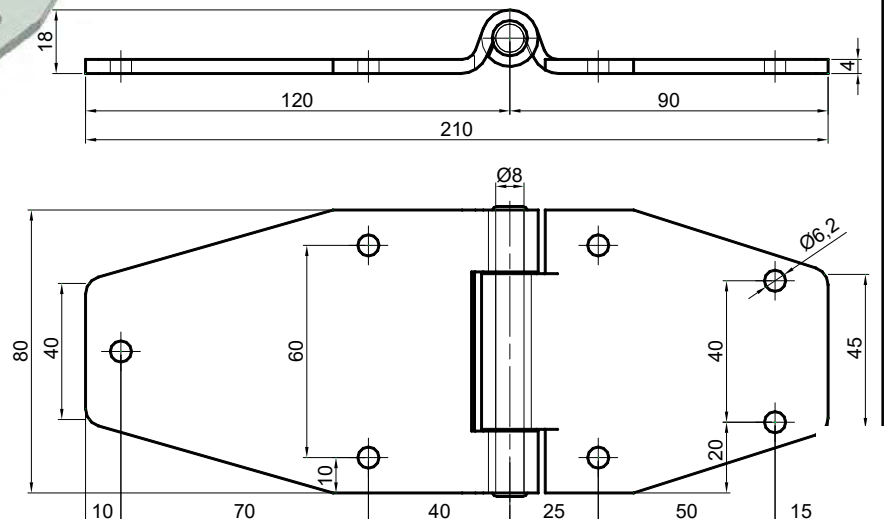
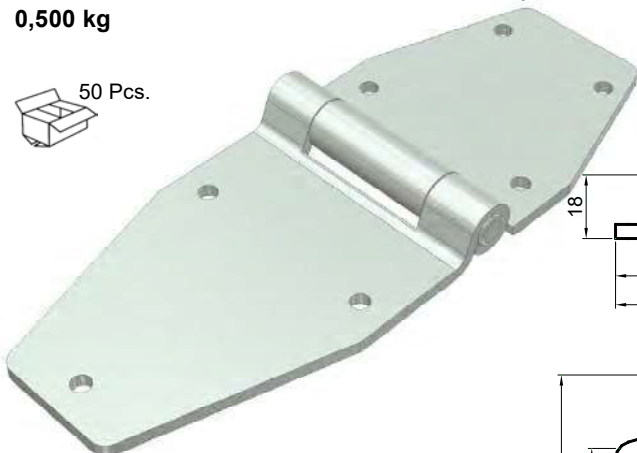
Cerniera piana 7 fori
Piano hinge 7 holes

Art. 80806360 Zincata - Zinc plated

Art. 80806210 Inox - Stainless steel

Art. 80806610 Verniciata nera - Black E-painted

0,500 kg





Cerniera a Farfalla con laccetto

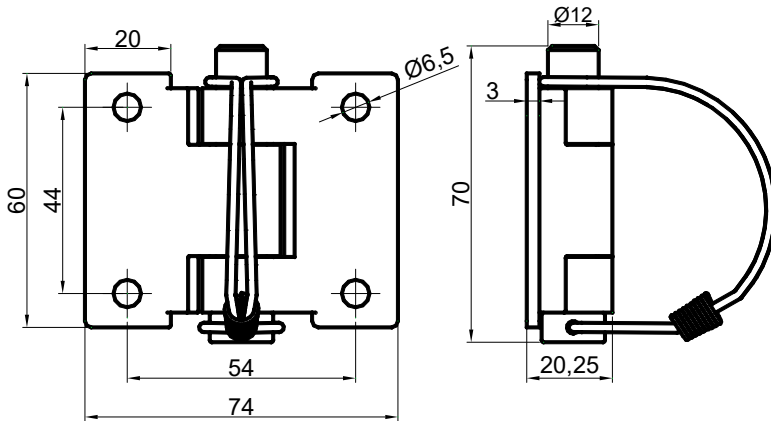
Butterfly hinge with lace

Art. 80326110 Zincata - Zinc plated

0,200 kg



100 Pcs.



Cerniera piana con laccetto

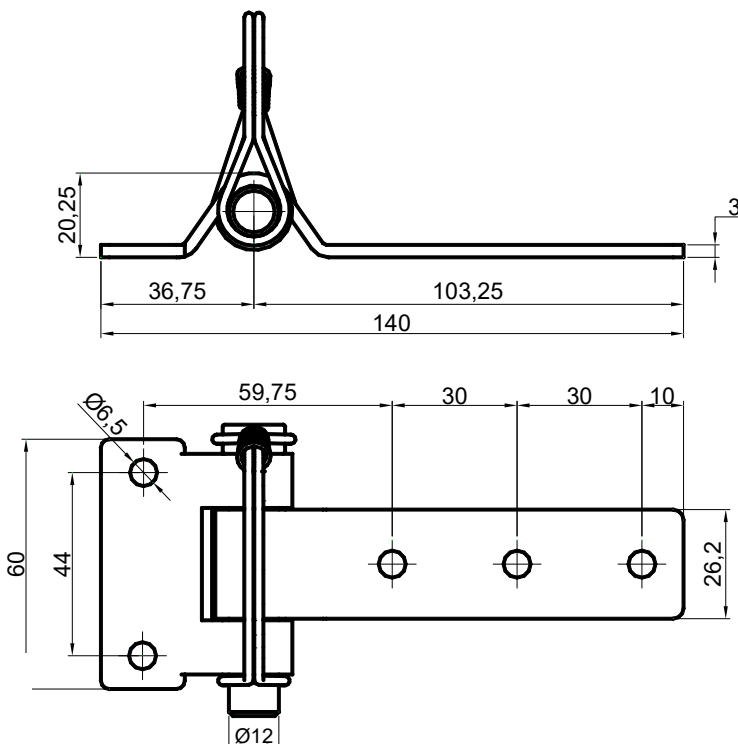
Flat hinge with lace

Art. 80327110 Zincata - Zinc plated

0,210 kg



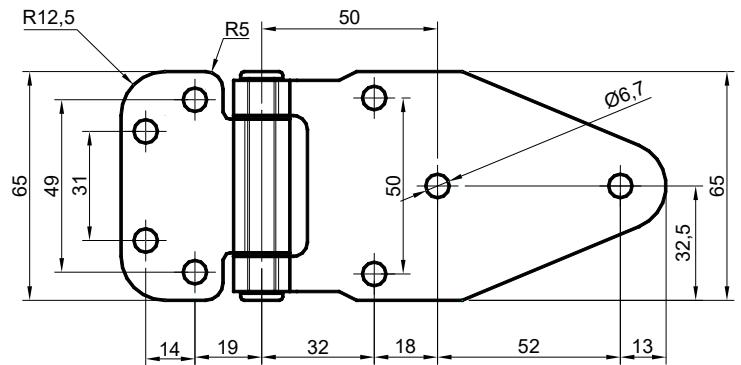
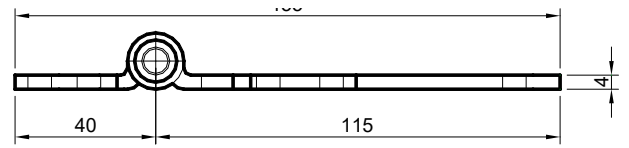
100 Pcs.





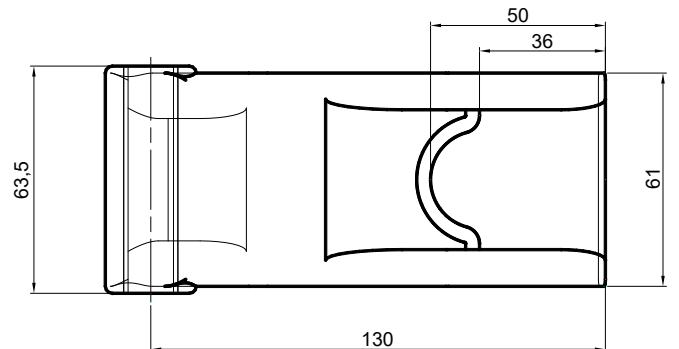
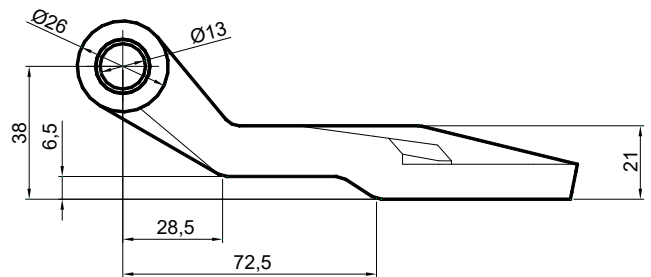
Cerniera piatta 8 fori
Flat hinge with 8 holes

Art. 80200610 Cataforesi vern. nera - Black E-painted
0,450 kg



Cerniera per container zincata
Zinc plated blade hinge for container

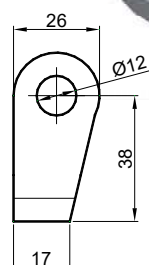
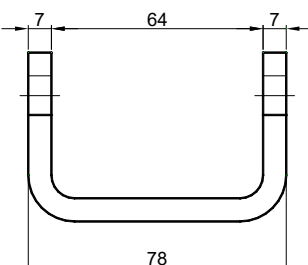
Art. 80600700 - 0,890 kg



Cardine a "U"
Raw hinge bracket type "U"

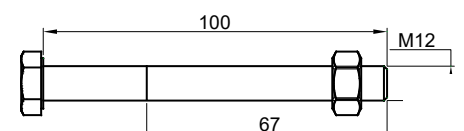
Art. 80280100 Grezzo - Raw

Art. 80280110 Zincato - Zinc plated
0,160 kg



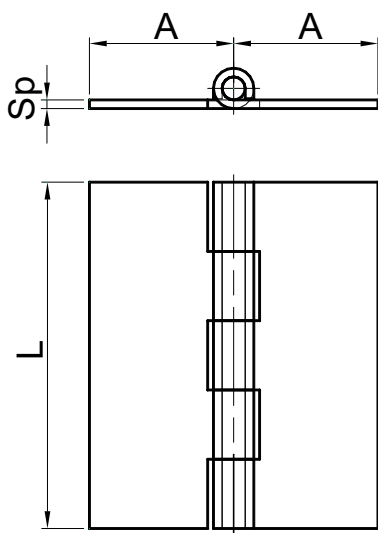
Perno di rotazione zincato M12x100
Zinc plated pin M12x100

Art. 80288100
0,110 kg



Cerniera a libro senza fori
 Piano hinge without holes

 400 Pcs.



Articolo Article	Trattamento Treatment	AxA	L	Sp.
80088801	Inox / Stainless steel	25x25	60	1,5
80088802	Zincata / Zinc plated	25x25	60	1,5
80088804	Zincata / Zinc plated	25x25	80	1
80088812	Inox / Stainless steel	25x25	80	1,5

Cerniera a libro in Inox L=50 con fori
 Stainless steel Piano hinge L=50 with holes

Art. 80088805

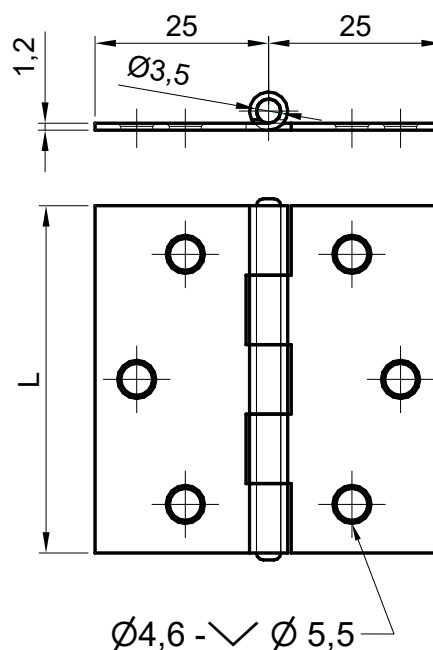
0,030 kg

Cerniera a libro in Inox L=60 con fori
 Stainless steel Piano hinge L=60 with holes

Art. 80088806

0,040 kg

 400 Pcs.





Cerniera a libro in Inox senza fori con perno in Inox
Stainless steel piano hinge without holes with Stainless steel pin

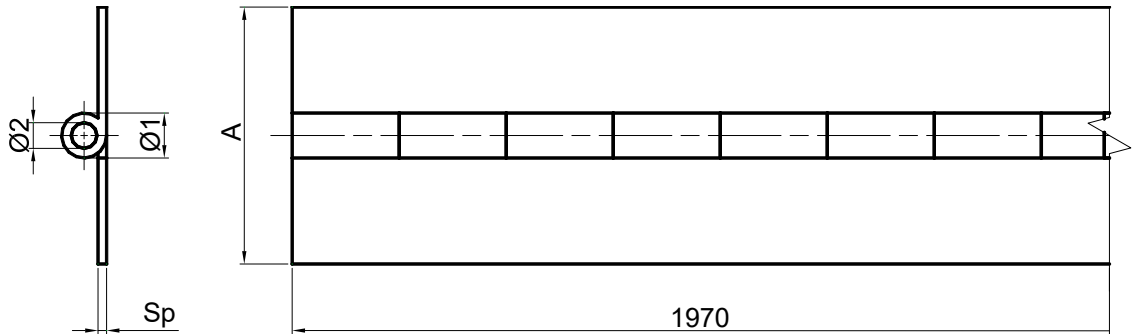
Articolo Article	A	Ø 1	Ø 2	Sp	kg
80088720	40	7,5	4	1,3	1,350
80088730	50	10	6	1,8	2,700
80088700	60	10	6	1,8	2,760
80088740	80	13	8	2,3	4,400

20 Pcs.

10 Pcs.

10 Pcs.

10 Pcs.

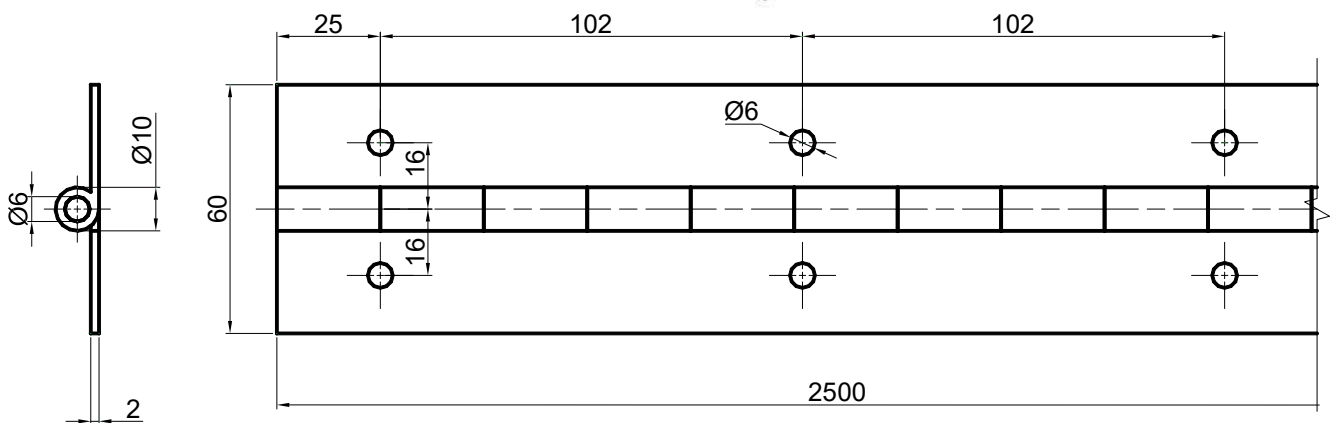


Cerniera a libro in Inox con fori e perno in Inox
Stainless steel piano hinge with holes and Stainless steel pin

Art. 80088725

2,900 kg

10 Pcs.



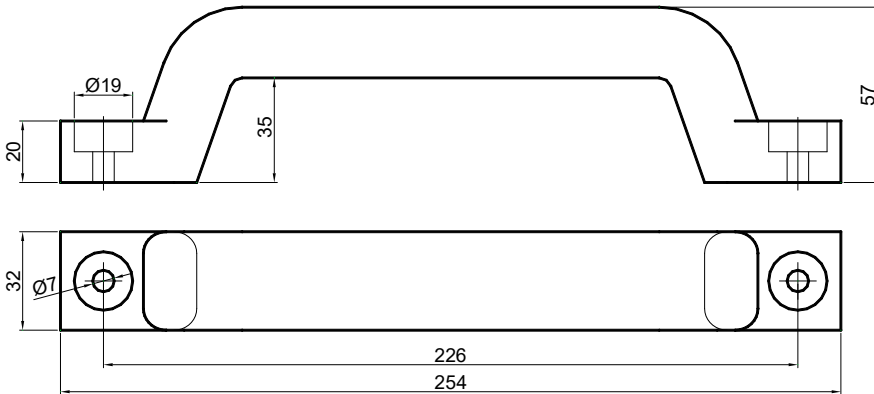


Maniglia di risalita in Poliuretano nero
Black reinforced PVC pull handle



Art. 80901235

0,155 kg

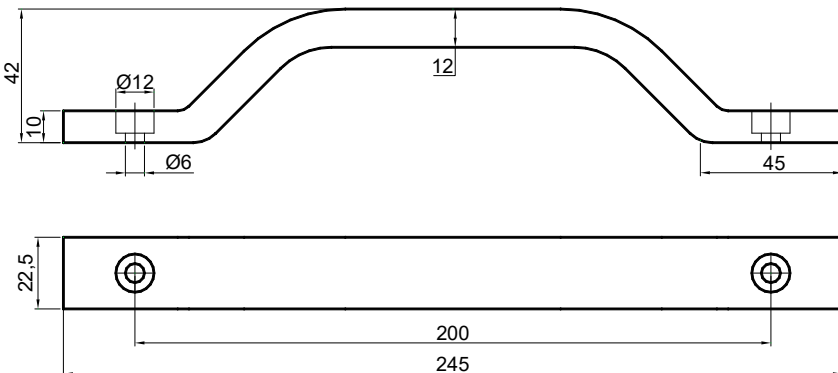


Maniglia di risalita in Poliuretano nero "Panda"
Black reinforced PVC pull handle "Panda"



Art. 80901200

0,040 kg

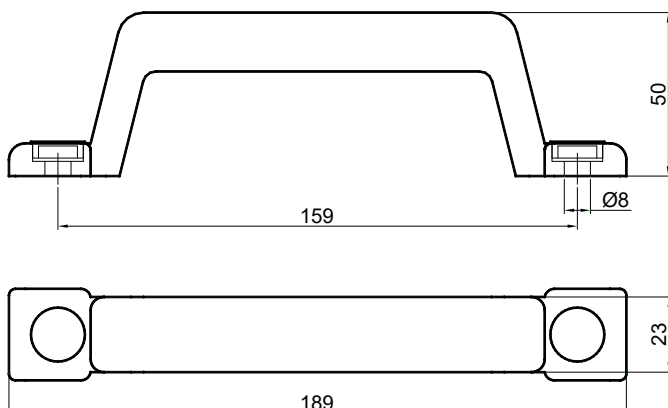


Maniglia in Poliuretano nero con anima in ferro più tappi copri bullone
Black polyurethane handle with iron core and covers bolts



Art. 80901265

0,150 kg





KOUTSOFTA
BROS.

A&G KOUTSOFTA BROS LTD

23 Markou Drakou, Dasaki Achnas, Cyprus

koutsoftabros@cytanet.com.cy

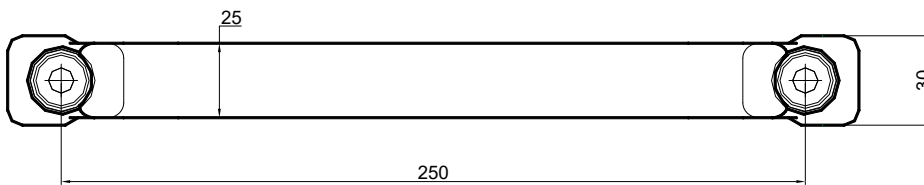
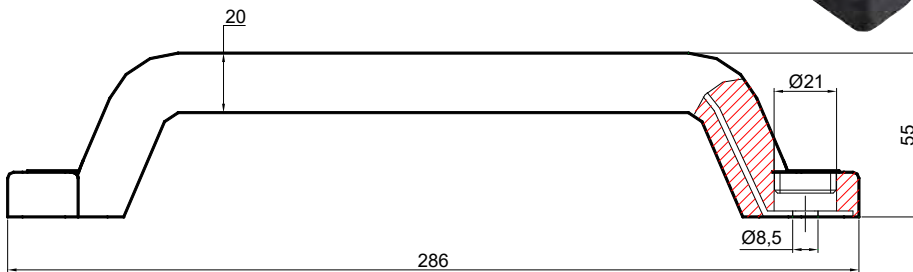
Tel: +357 24722500

Maniglia 250 in Poliuretano nero con anima in ferro più tappi copri bullone
Black polyurethane handle 250 with iron core and covers bolts

Art. 80901275

0,300 kg

25 Pcs.

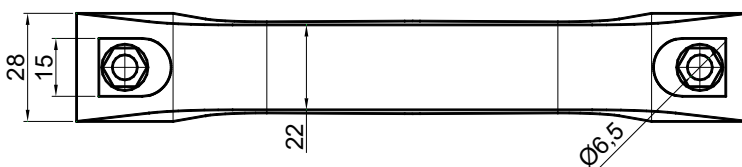
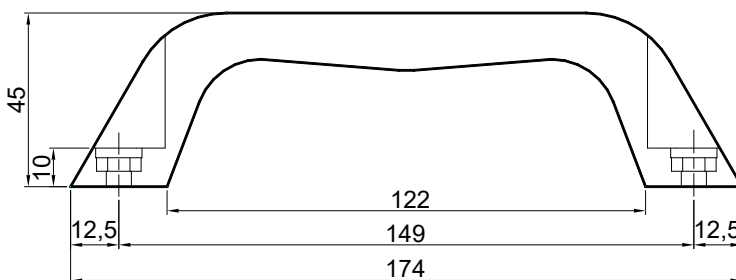


Maniglia in Inox lucida
Stainless steel handle

Art. 80901245

0,460 kg

20 Pcs.





KOUTSOFTA
BROS.

A&G KOUTSOFTA BROS LTD

23 Markou Drakou, Dasaki Achnas, Cyprus

koutsoftabros@cytanet.com.cy

Tel: +357 24722500

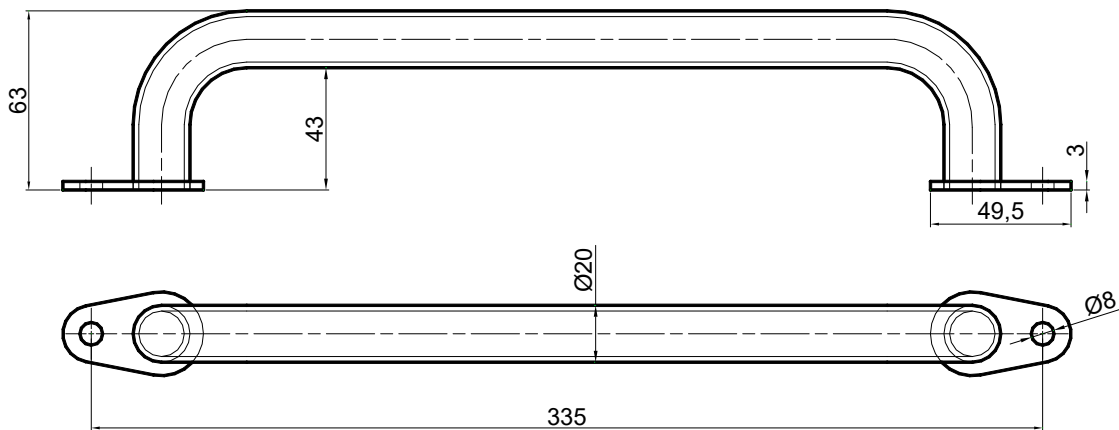
Maniglia inox tipo NATO
Stainless steel NATO handle type

Art. 80901255

0,200 kg



25 Pcs.



Maniglia apriporta con molla
Pull handle with spring

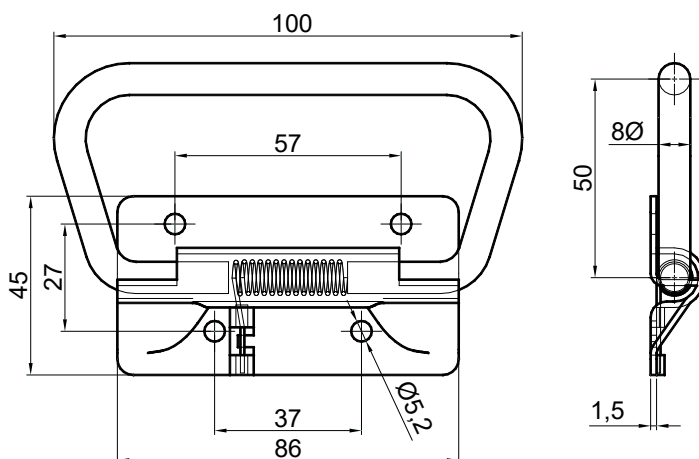
Art. 80272110 Zincata - Zinc plated

Art. 80272210 Inox - Stainless steel

0,135 kg



100 Pcs.





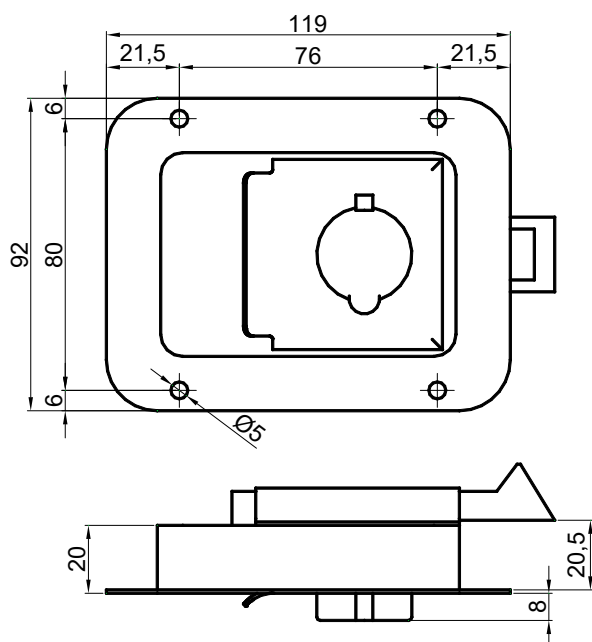
14

- Chiusure ad incasso
- Chiusure esterne
- *Recessed lock*
- *Outside lock*

Chiusura a incasso Inox con chiave e tappo in gomma, con naso in Nylon
Stainless steel key locking padle with rubber cap and Nylon nose

Art. 80901010

0,270 kg



Naso in Nylon
Nylon nose

Chiusura a incasso Zincata con chiave e tappo in gomma, con naso in Nylon
Galvanized key locking padle with rubber cap and Nylon nose

Art. 80901020

0,350 kg



Solo guarnizione in gomma nera
Only black rubber strip

Art. 80900411

0,015 kg





Chiusura a incasso Inox con chiave e tappo in gomma, con naso Zincato
Stainless steel key locking padle with rubber cap and Galvanized nose

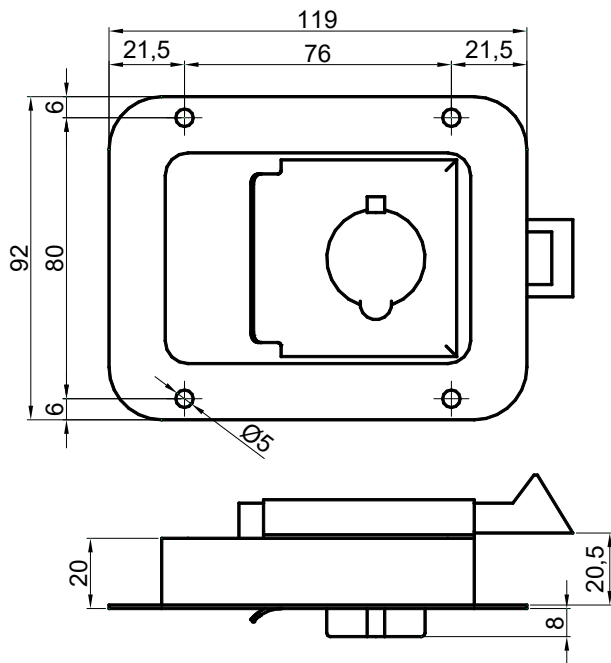
Art. 80901000 - 0,390 kg

40 Pcs.


Chiusura a incasso Zincata con chiave e tappo in gomma, con naso Zincato
Galvanized key locking padle with rubber cap and Galvanized nose

Art. 80902110 - 0,465 kg

40 Pcs.

Naso Zincato
Galvanized nose



Chiusura a incasso Verniciata Nera con chiave e tappo in gomma, con naso Zincato
Black Painted key locking padle with rubber cap and Galvanized nose

Art. 80901030 - 0,465 kg

40 Pcs.


Guarnizione in gomma nera
Black rubber strip

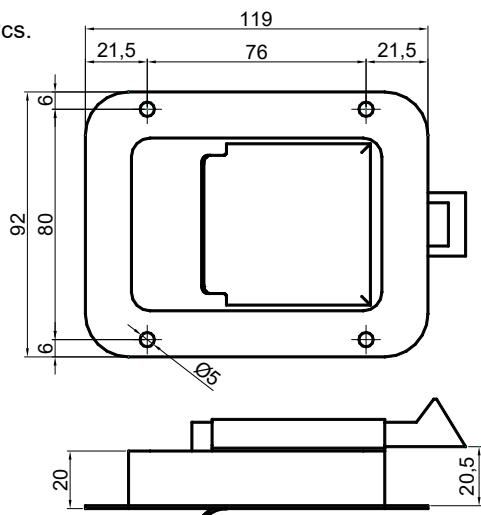
Art. 80900411 - 0,015 kg





Chiusura a incasso Inox senza chiusura con naso Zincato
Stainless steel locking padle without key Galvanized nose

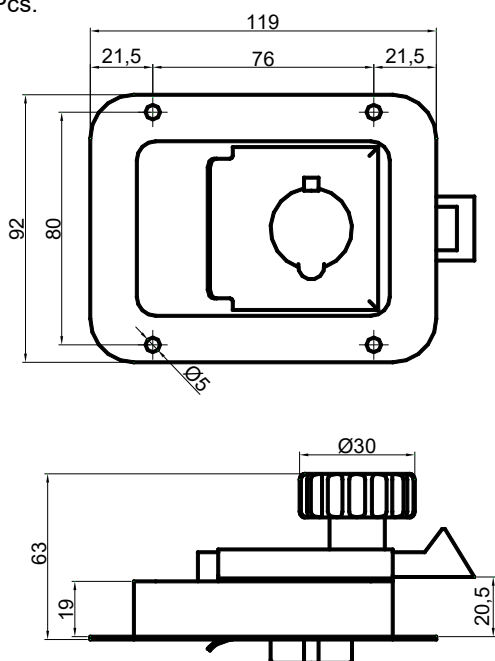
Art. 80901050- 0,340 kg



Chiusura a incasso Inox con chiave e tappo in gomma, con naso Zincato e predisposta per apertura dall'interno
Stainless steel key locking padle with rubber cap and Galvanized nose, suitable for inside release

Art. 80901100

0,420 kg



**Naso Zincato
Galvanized nose**



Pomello per apertura interna

Doorknob

Art. 80901105

0,030 kg



Solo guarnizione in gomma nera

Only black rubber strip

Art. 80900411

0,015 kg





Chiusura a incasso Inox grande con chiave e naso Zincato
Stainless steel big key locking padle with Galvanized nose

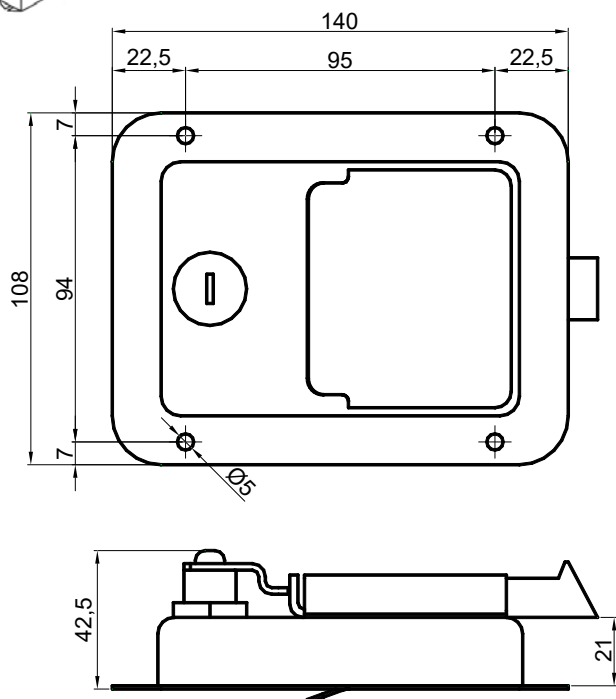
Art. 80900406- 0,495 kg

20 Pcs.


Chiusura a incasso Zincata grande con chiave e naso Zincato
Zinc plated big key locking padle with Galvanized nose

Art. 80900416- 0,495 kg

20 Pcs.

Naso Zincato
Galvanized nose



Chiusura a incasso Verniciata Nera grande con chiave e naso Zincato
Black painted big key locking padle with Galvanized nose

Art. 80900426- 0,495 kg

20 Pcs.


Solo guarnizione in gomma nera

Only black rubber strip

Art. 80900410

0,016 kg

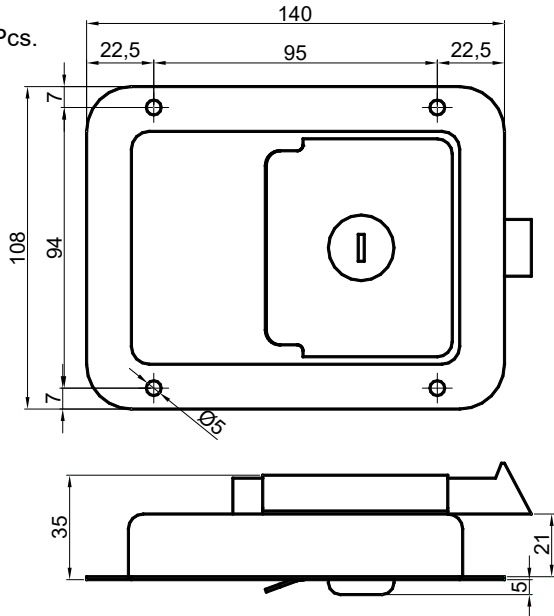




Chiusura a incasso Inox grande con chiave e naso Zincato
Stainless steel big key locking padle with Galvanized nose
Art. 80900438

0,460 kg

20 Pcs.



Naso Zincato
Galvanized nose

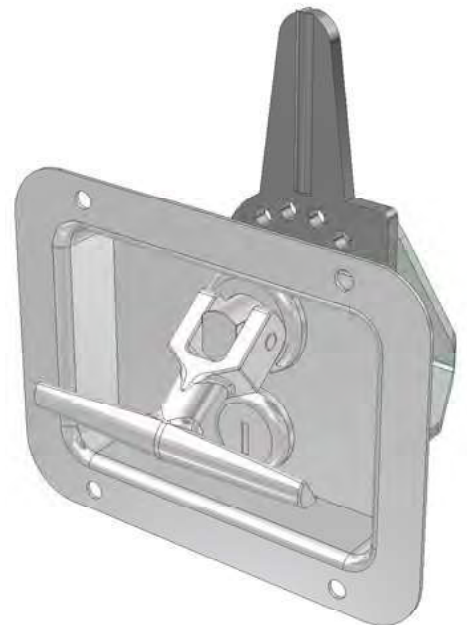
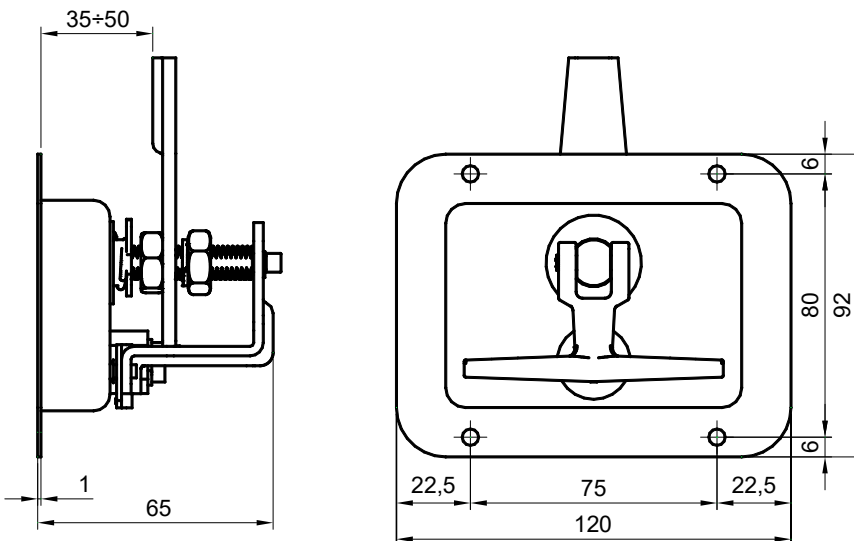


Solo guarnizione in gomma nera
Only black rubber strip
Art. 80900410
0,016 kg



Chiusura incassata in Inox con chiave e riscontro regolabile da 35 ÷ 50
Stainless steel recessed lock with key distance adjustable from 35 ÷ 50
Art. 80903207

0,475 kg





KOUTSOFTA
BROS.

A&G KOUTSOFTA BROS LTD

23 Markou Drakou, Dasaki Achnas, Cyprus

koutsoftabros@cytanet.com.cy

Tel: +357 24722500

Chiusura a incasso in con chiave regolabile da 20 ÷ 35 mm
Drop T recessed lock with key adjustable latch from 20 ÷ 35 mm

Inox AISI 304 - Stainless Steel ASI 304

Art. 80903407/R

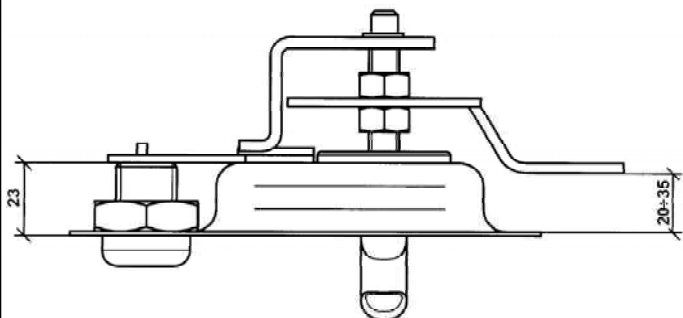
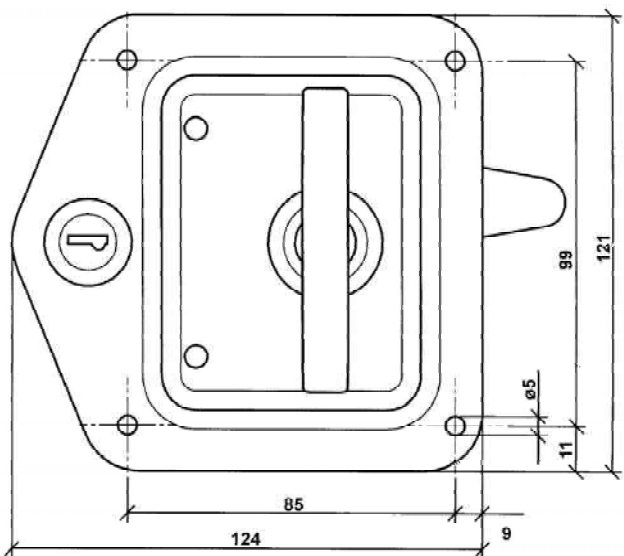
Art. 80903407/L

Inox AISI 201 - Stainless Steel ASI 201

Art. 80903607/R

Art. 80903607/L

0,550 kg



Verniciata nera

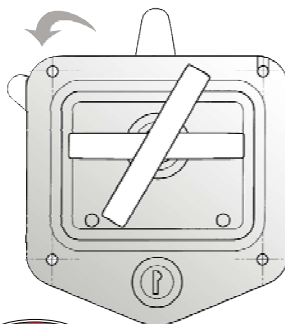
Black painted

Art. 80903807/R

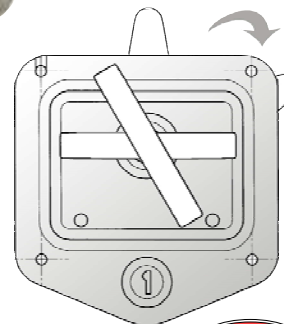
Art. 80903807/L

0,555 kg

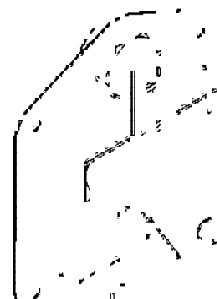
25 Pcs.



LEFT



RIGHT

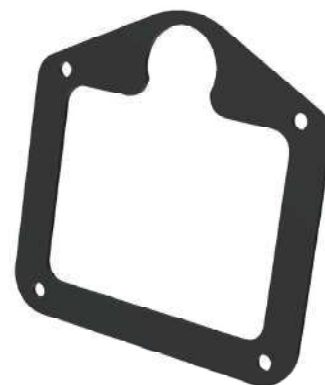


Solo guarnizione in gomma nera

Only black rubber strip

Art. 80900409

0,016 kg





KOUTSOFTA
BROS.

A&G KOUTSOFTA BROS LTD

23 Markou Drakou, Dasaki Achnas, Cyprus

koutsoftabros@cytanet.com.cy

Tel: +357 24722500

Chiusura a incasso con chiave regolabile da 40 ÷ 55
Drop T recessed lock with key adjustable latch from 40 ÷ 55

Inox AISI 304 - Stainless Steel ASI 304

Art. 80900407/R

Art. 80900407/L

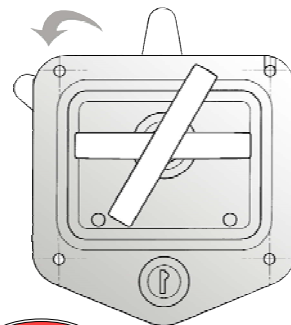
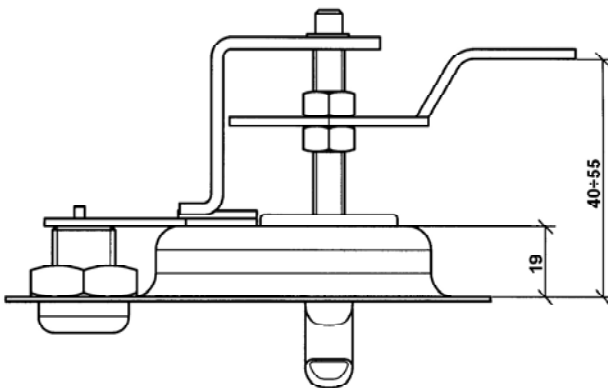
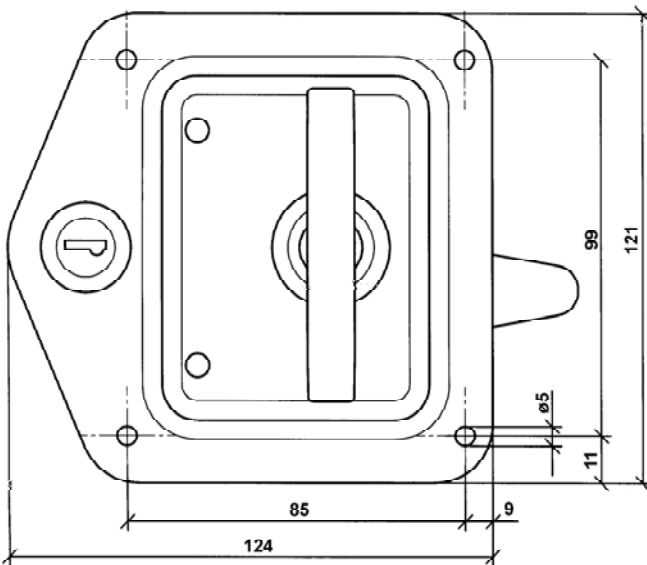
Inox AISI 201 - Stainless Steel ASI 201

Art. 80900607/R

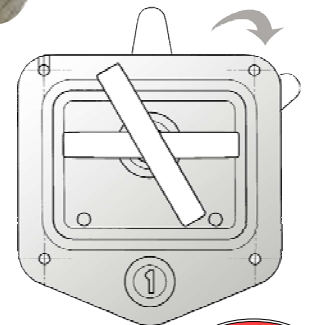
Art. 80900607/L

0,550 kg

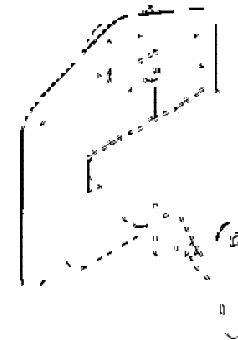
20 PCS.



LEFT



RIGHT



Solo protezione in gomma nera

Only black rubber strip

Art. 80900409

0,016 kg





KOUTSOFTA
BROS.

A&G KOUTSOFTA BROS LTD

23 Markou Drakou, Dasaki Achnas, Cyprus

koutsoftabros@cytanet.com.cy

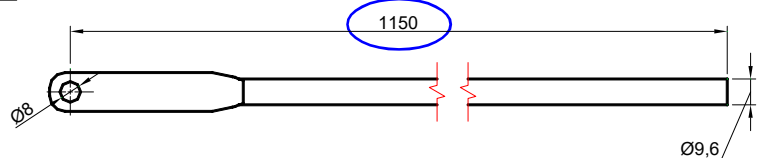
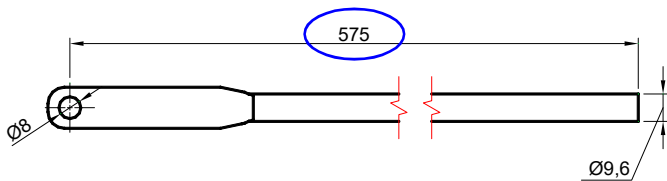
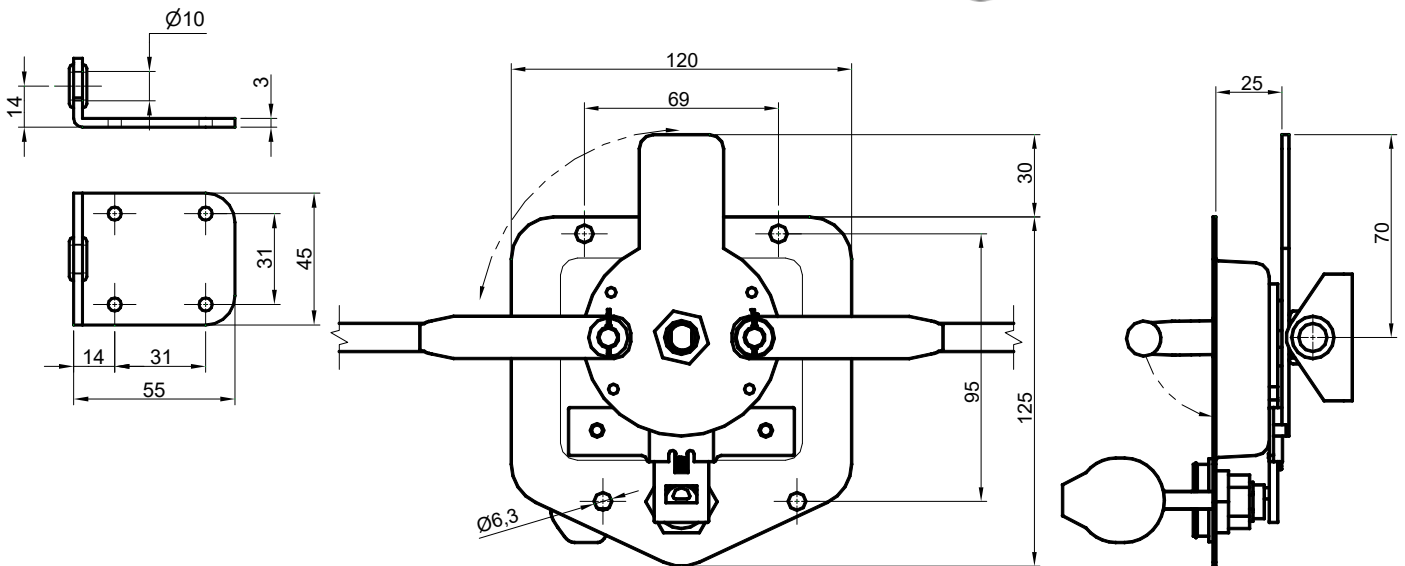
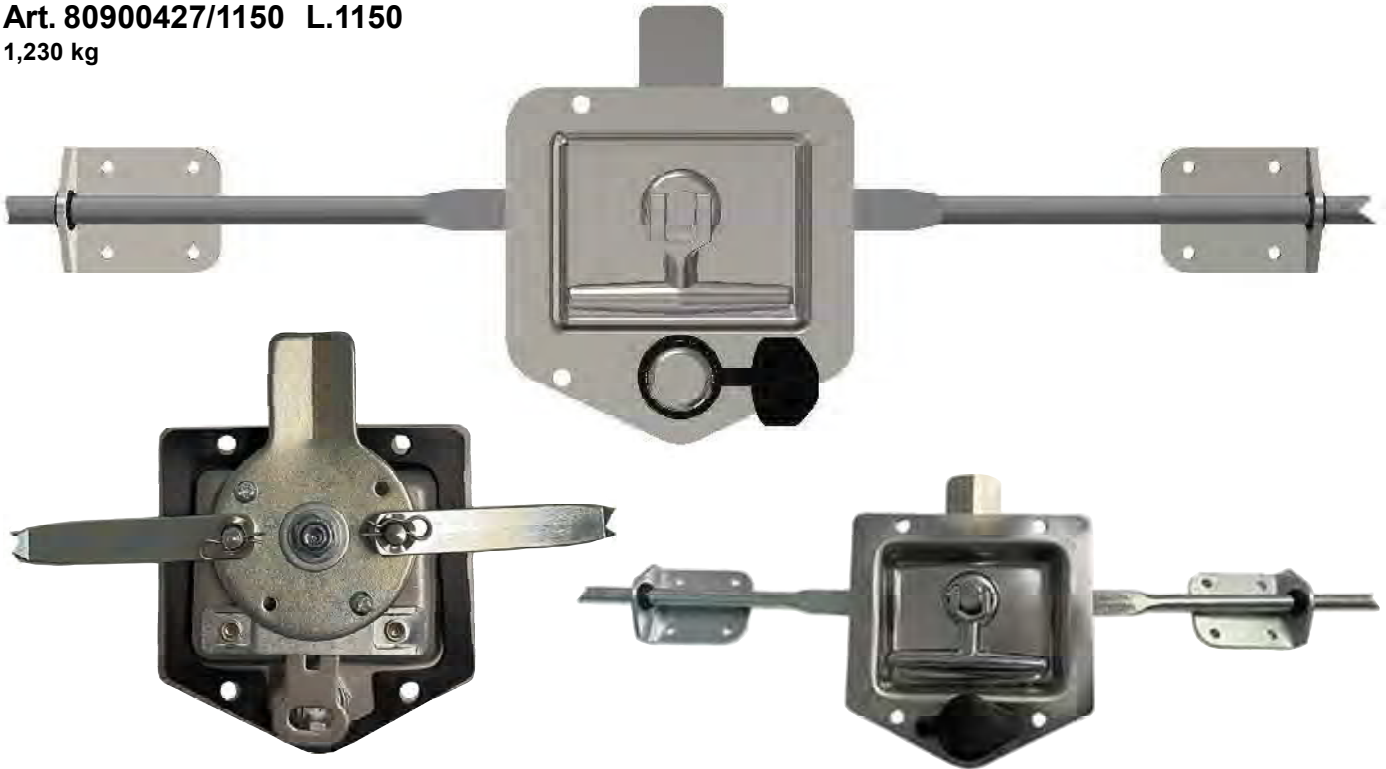
Tel: +357 24722500

Chiusura a incasso in Inox con 3 punti di chiusura
Stainless Steel recessed lock with 3 way locks

Art. 80900427/575 L.575

Art. 80900427/1150 L.1150

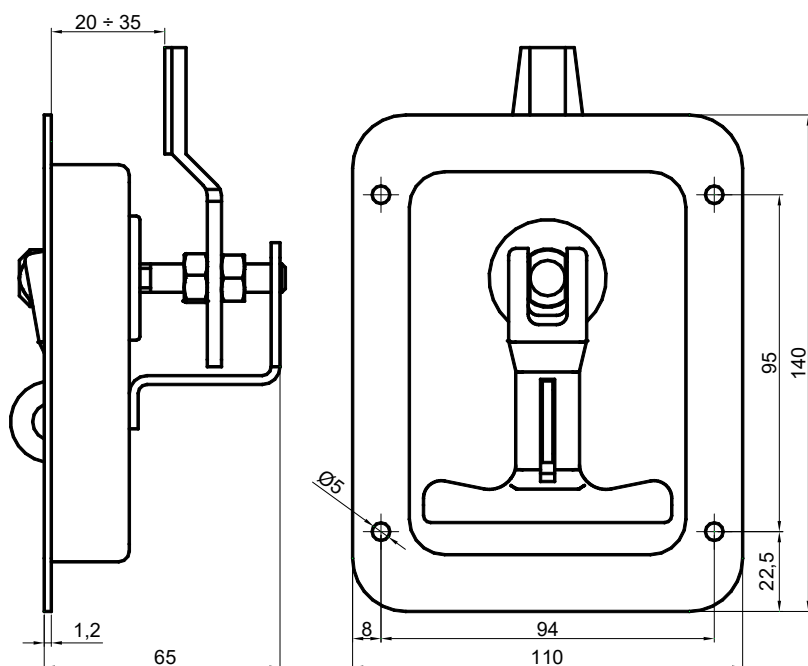
1,230 kg



Chiusura a incasso in Inox con porta lucchetto regolabile da 20 ÷ 35
Stainless Steel recessed lock with padlock adjustable distance from 20 ÷ 35

Art. 80903707

0,520 kg



Solo guarnizione in gomma nera
Only black rubber strip

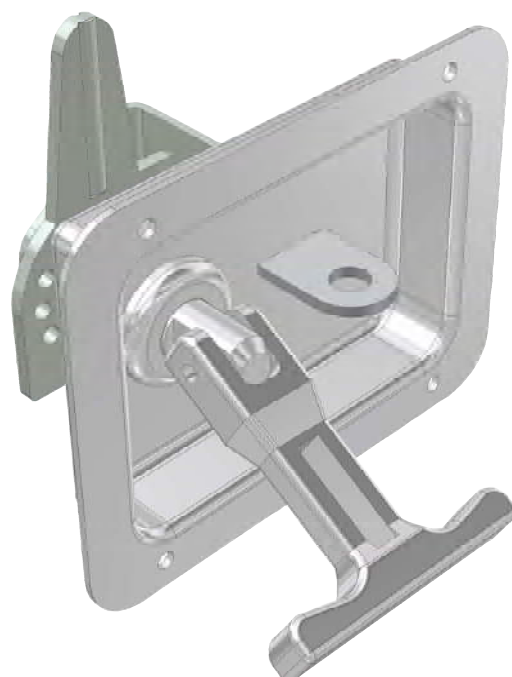
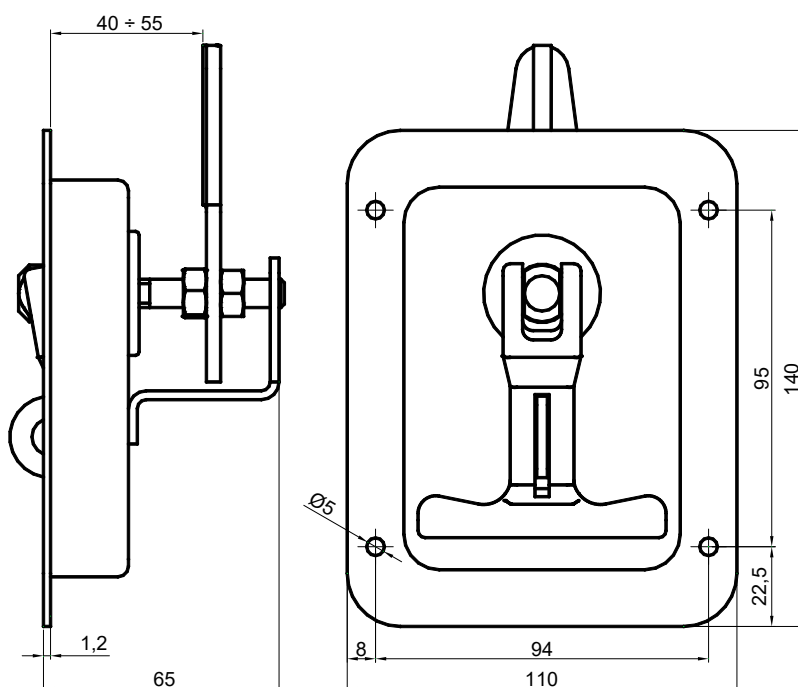
Art. 80900410 - 0,016 kg



Chiusura a incasso in Inox con porta lucchetto regolabile da 40 ÷ 55
Stainless Steel recessed lock with padlock adjustable distance from 40 ÷ 55

Art. 80900707

0,520 kg





KOUTSOFTA
BROS.

A&G KOUTSOFTA BROS LTD

23 Markou Drakou, Dasaki Achnas, Cyprus

koutsoftabros@cytanet.com.cy

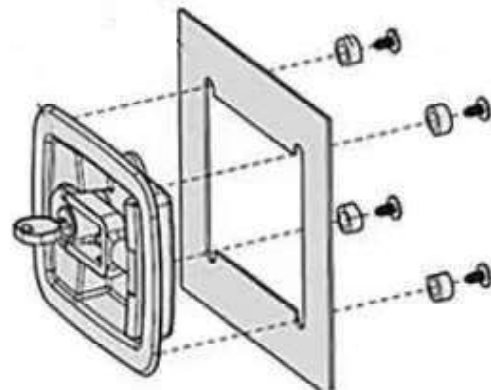
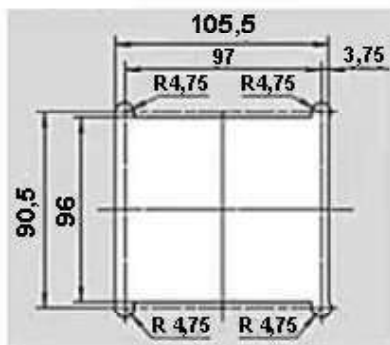
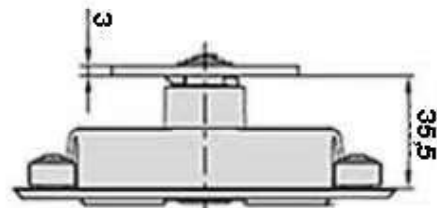
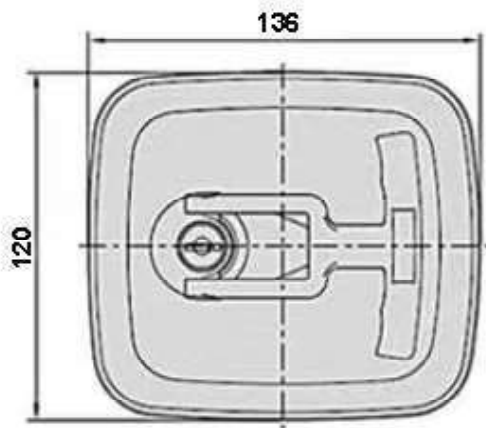
Tel: +357 24722500

Chiusura a incasso in plastica

Plastic recessed lock

Art. 80903907

0,175 kg

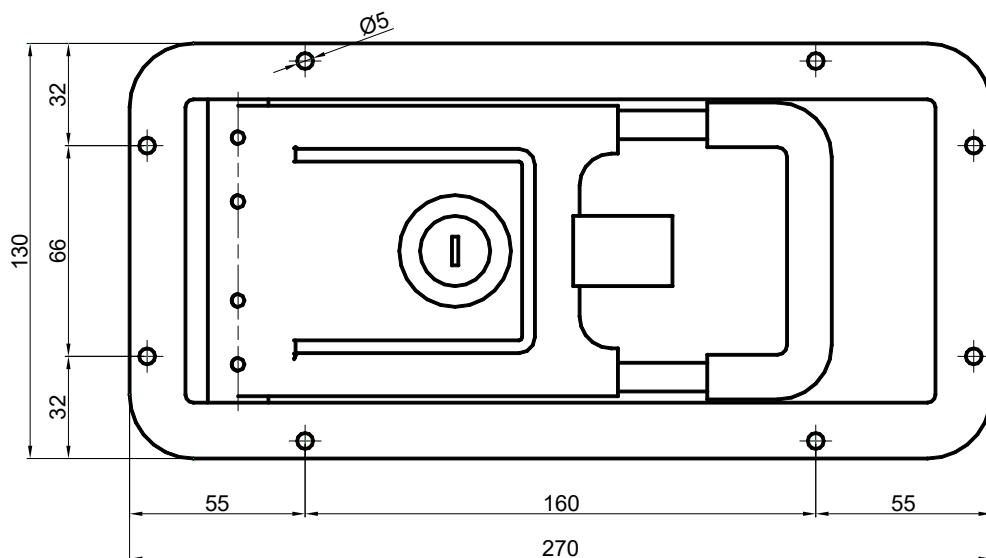
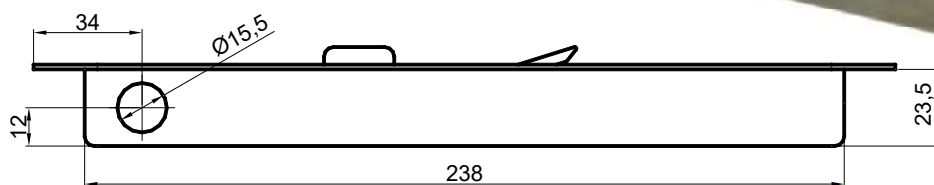




Chiusura a incasso in Inox spessore 23,5 mm completa di inganci e supporti per asta di $\varnothing 15$
Stainless steel recessed lock, thickness 23,5 mm complete the hook and support for $\varnothing 15$

Art. 80392210

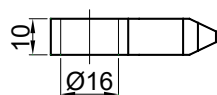
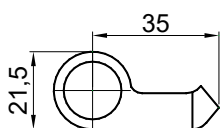
1,075 kg



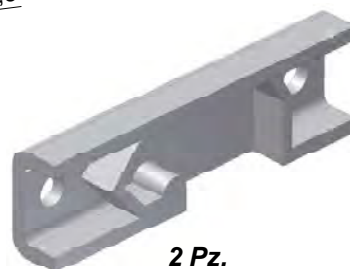
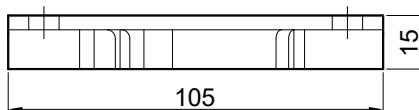
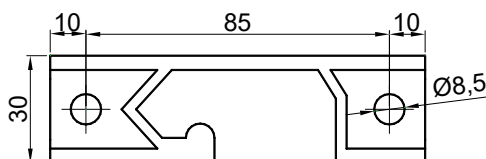
Solo Inganci e supporti in inox

Stainless steel only hooks and supports

Art. 80392211 - 0,400 kg



2 Pz.



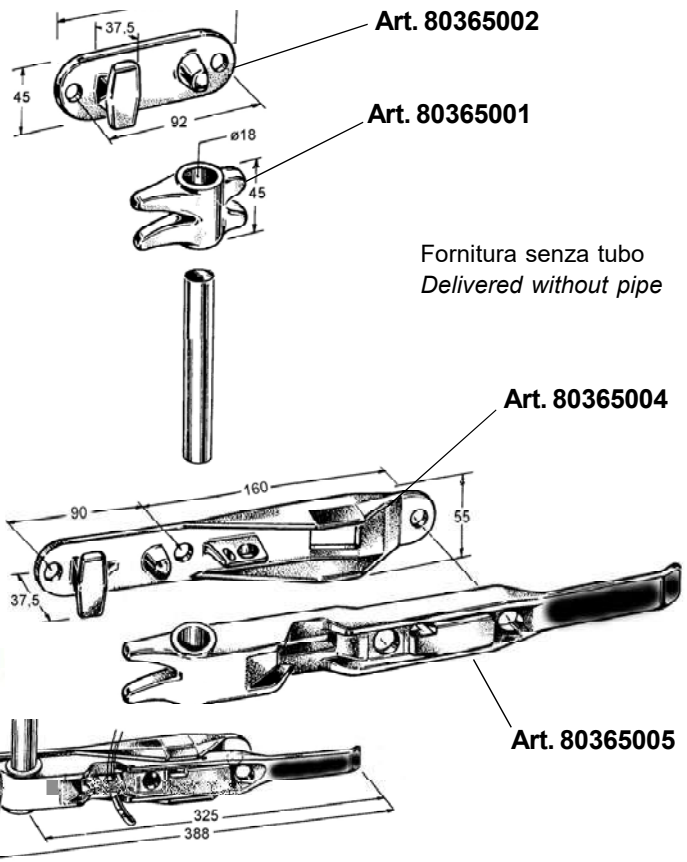
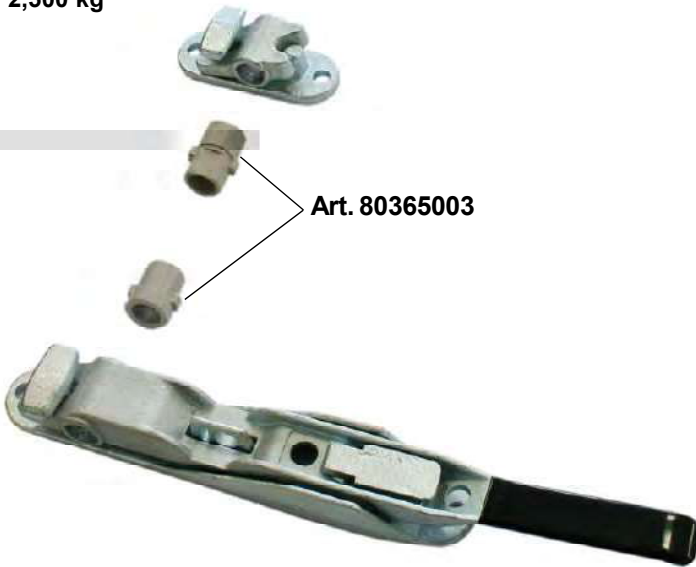
2 Pz.



Serratura esterna zincata bassa Ø18
Zinc plated outside low lock for pipe Ø18

Art. 80365000

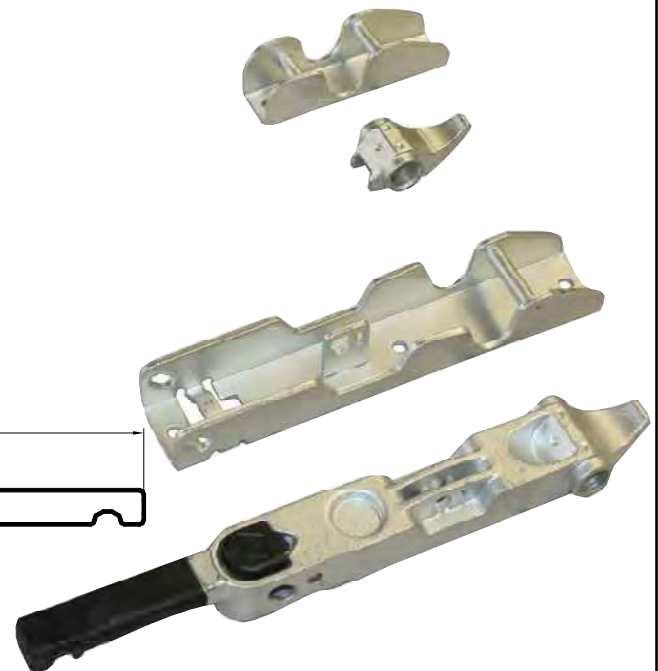
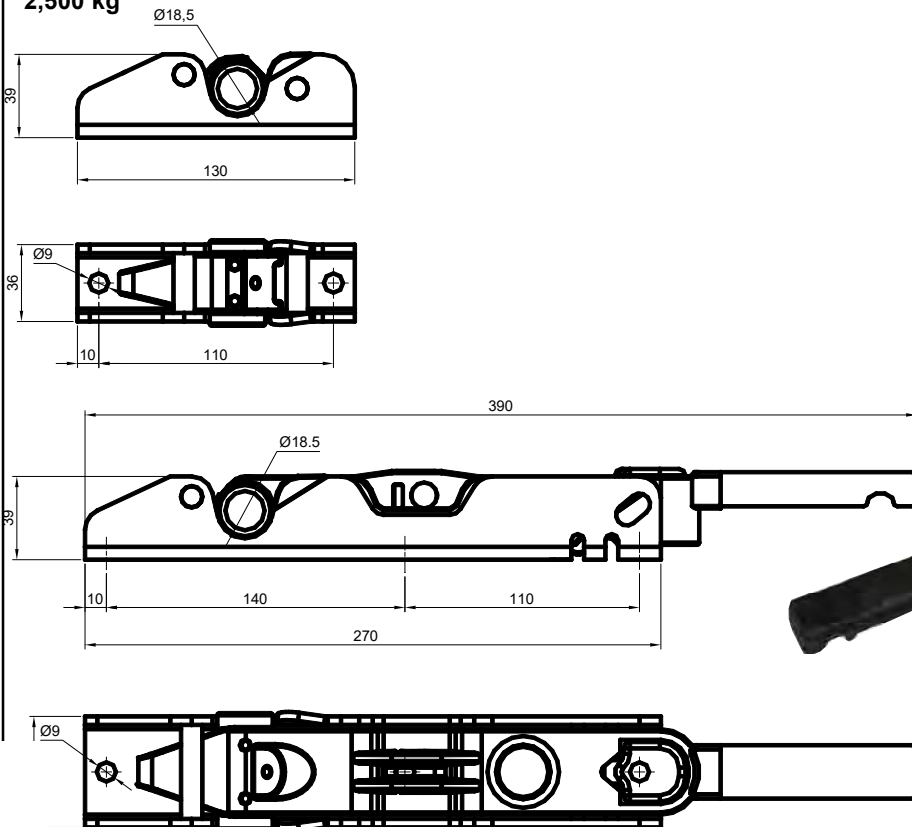
2,500 kg



Serratura esterna n dacromet bassa Ø18
Dacromet outside low lock for pipe Ø18

Art. 80380610

2,500 kg



Fornitura senza tubo
Delivered without pipe

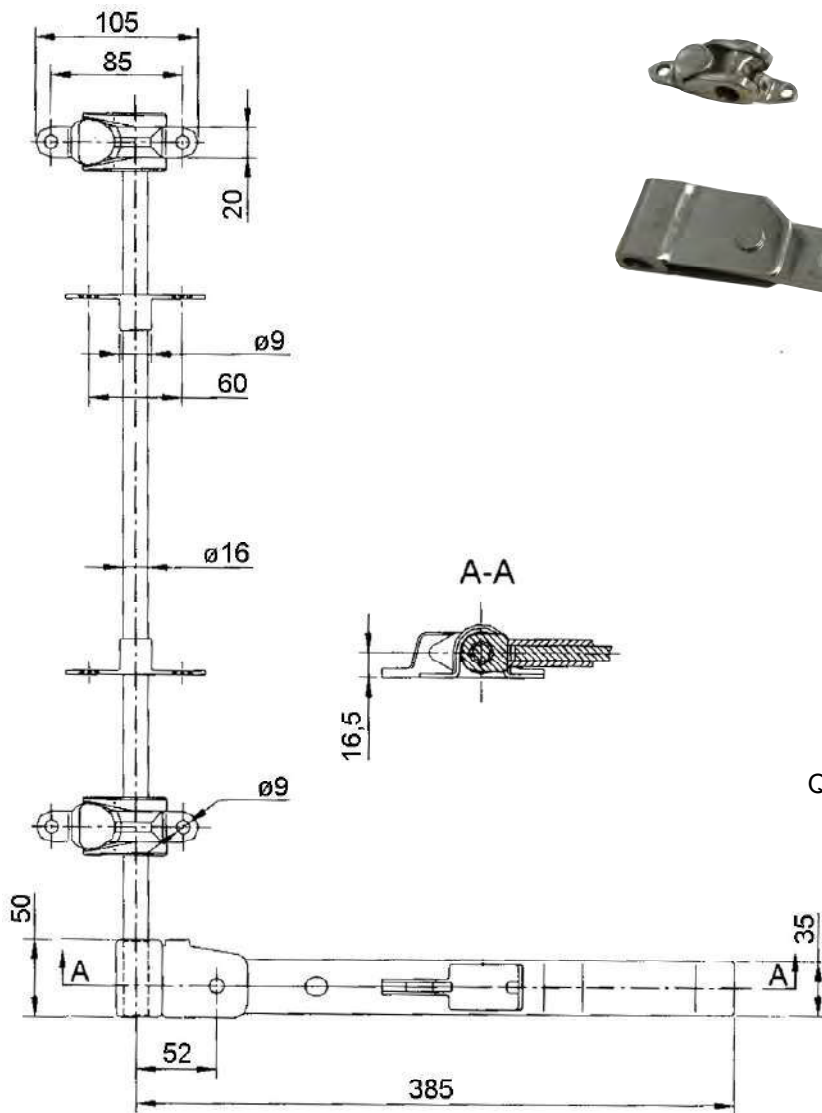


Chiusura esterna bassa Inox Ø16
Stainless steel low door gear for pipe Ø16

Art. 80363200/R

Art. 80363200/L

2,190 kg



Questo disegno è DESTRO
This drawing is RIGHT

Fornitura senza tubo
Delivered without pip

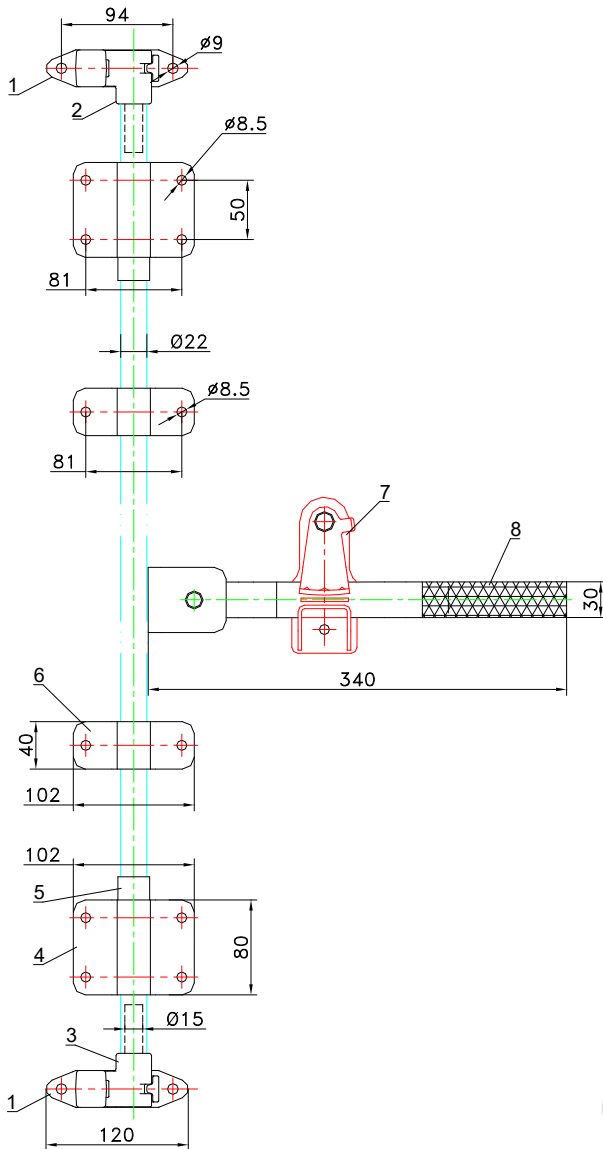


Chiusura esterna SL1 zincata Ø22
SL1 Zinc plated lock for pipe Ø22

Art. 80367110/R

Art. 80367110/L

3,900 kg



Posizione Position	Articolo Article	Q.t
1	80134110	2
2	80232110	1
3	80233110	1
4 up	80367100	2
4 under	80367101	2
5	80367106	2
6 up	80367102	1
6 under	80367103	1
7	80366104	1
8	80366105/R 80366105/L	1



ornitura senza tubo
delivered without pipe



Questo disegno è DESTRO
This drawing is RIGHT



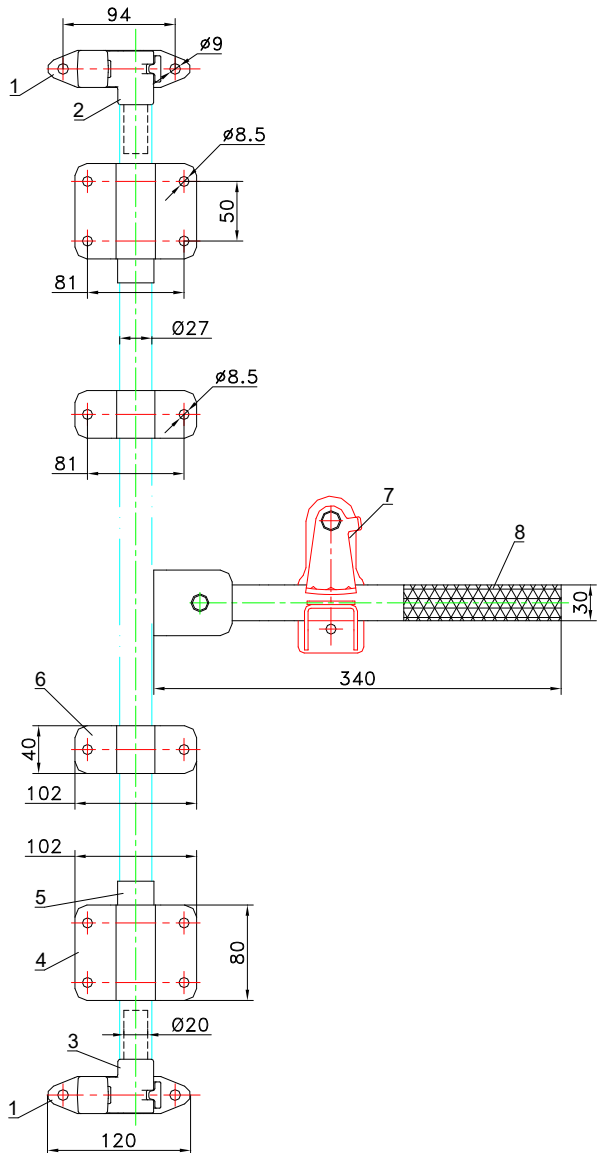
Chiusura esterna SL1 zincata Ø27

SL1 Zinc plated lock or pipe Ø27

Art. 80366110/R

Art. 80366110/L

3,900 kg



Posizione Position	Articolo Article	Q.t
1	80134110	2
2	80132110	1
3	80133110	1
4 up	80366100	2
4 under	80366101	2
5	80366106	2
6 up	80366102	1
6 under	80366103	1
7	80366104	1
8	80366105/R 80366105/L	1



Fornitura senza tubo
Delivered without pipe



Questo disegno è DESTRO
This drawing is RIGHT



Chiusura esterna SL2 per tubo Ø22
SL2 Lock for pipe Ø22

Zincata - Zinc plated

Art. 80368110/R

Art. 80368110/L

Inox - Stainless steel

Art. 80368210/R

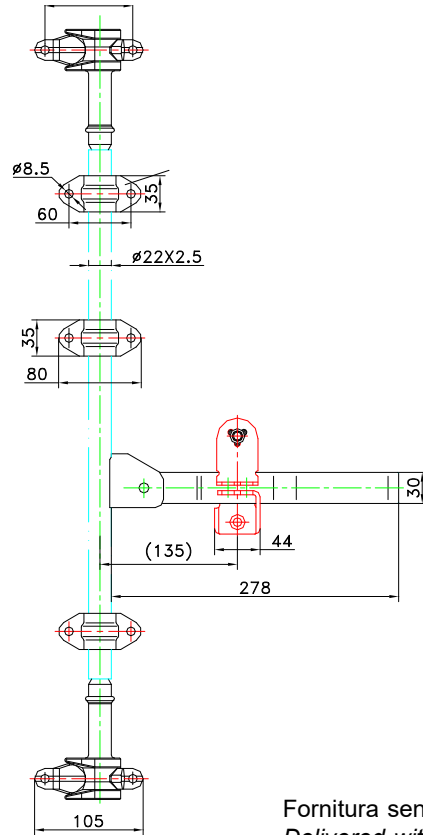
Art. 80368210/L

2,430 kg



Dx - R

Questo disegno è DESTRO
This drawing is RIGHT



Fornitura senza tubo
Delivered without pipe

Chiusura esterna SL2 per tubo Ø27
SL2 Lock for pipe Ø27

Zincata - Zinc plated

Art. 80369110/R

Art. 80369110/L

Inox - Stainless steel

Art. 80369210/R

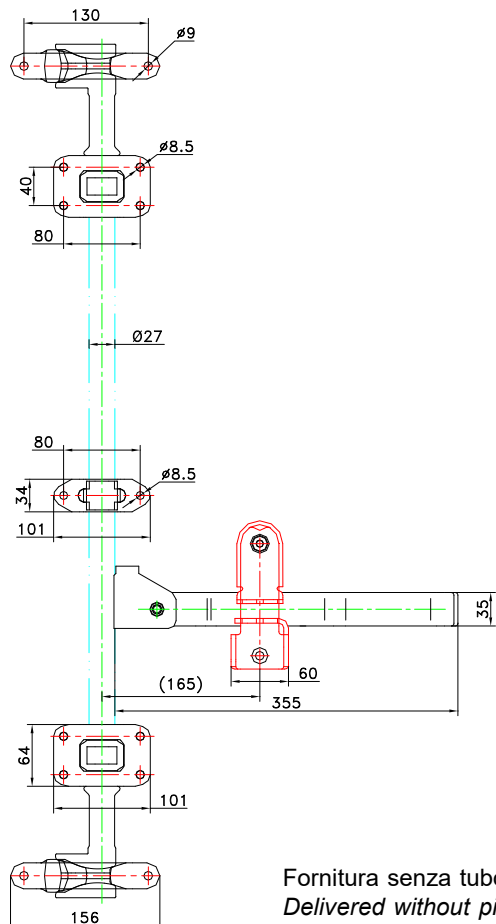
Art. 80369210/L

5,350 kg



Dx - R

Questo disegno è DESTRO
This drawing is RIGHT



Fornitura senza tubo
Delivered without pipe



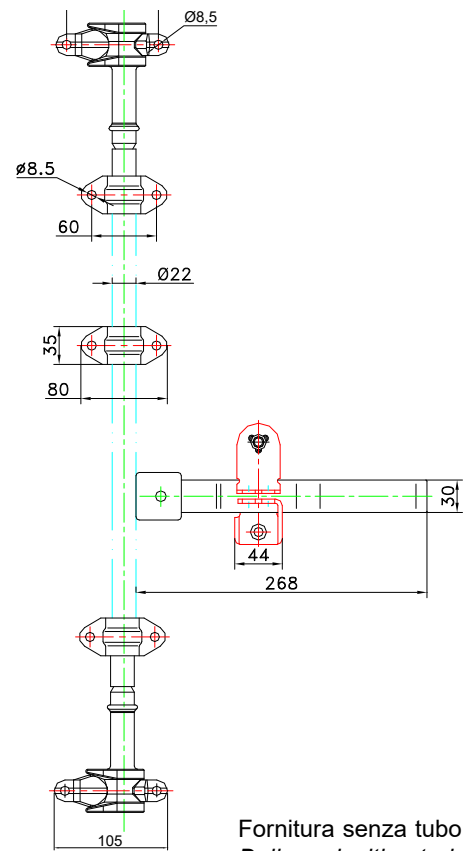
Chiusura esterna SL5 zincata per tubo Ø22

Zinc plated SL5 lock for pipe Ø22

Art. 80368115

2,020 kg

**AMBIDESTRA
TWO-SIDES**



Fornitura senza tubo
Delivered without pipe

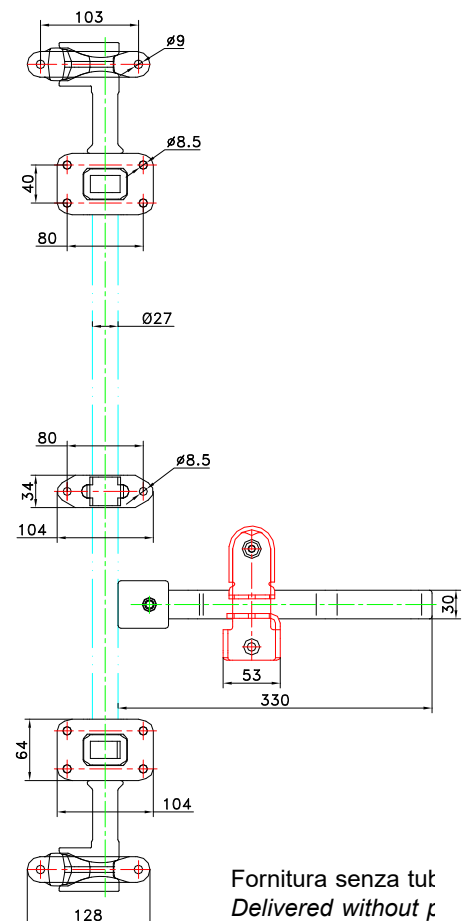
Chiusura esterna SL5 zincata per tubo Ø27

Zinc plated SL5 lock for pipe Ø27

Art. 80369115

3,585 kg

**AMBIDESTRA
TWO-SIDES**



Fornitura senza tubo
Delivered without pipe



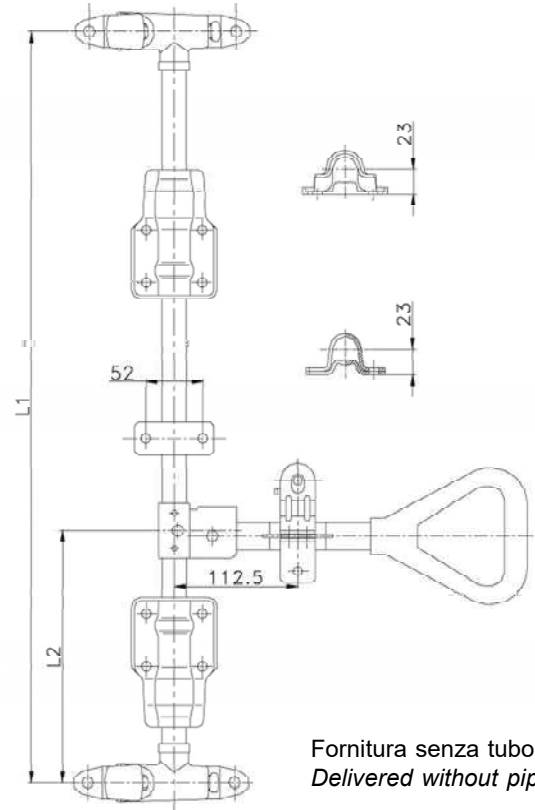
Chiusura esterna Rower Ø22

Rower lock for pipe Ø22

Art. 80374110 Zincata - Zinc plated

Art. 80374210 Inox - Stainless steel

3,800 kg



Fornitura senza tubo
Delivered without pipe

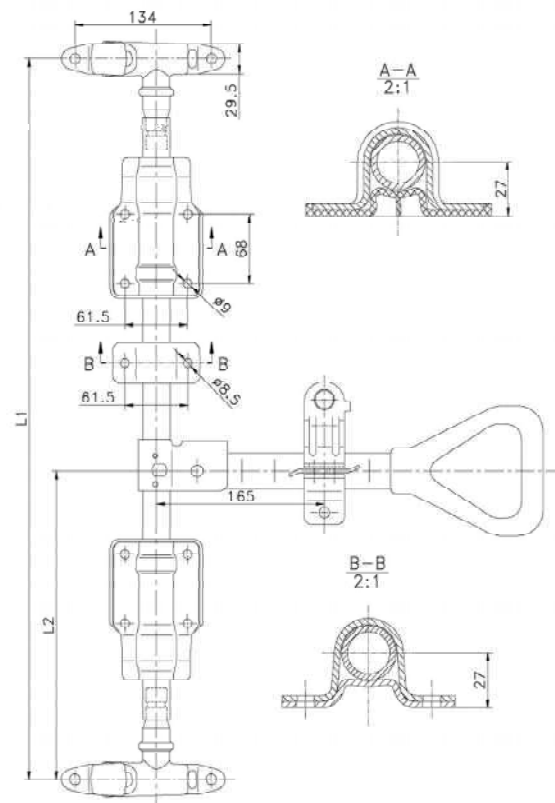
Chiusura esterna Rower Ø27

Rower lock for pipe Ø27

Art. 80373110 Zincata - Zinc plated

Art. 80373210 Inox - Stainless steel

5,280 kg



Fornitura senza tubo
Delivered without pipe



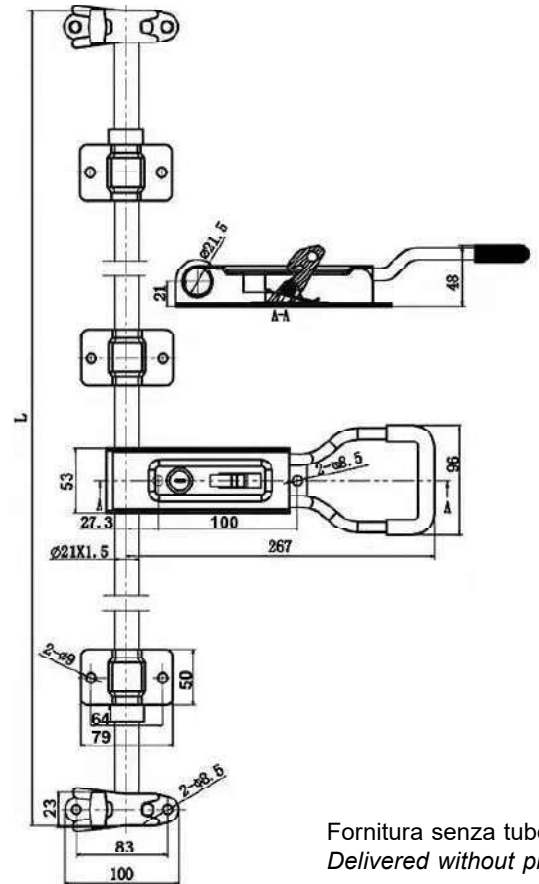
Chiusura esterna TILE.S per tubo Ø22

TILE.S Lock for pipe Ø22

Art. 80371110 Zincata - Zinc plated

Art. 80371210 Inox - Stainless steel

2,350 kg



Fornitura senza tubo
Delivered without pipe

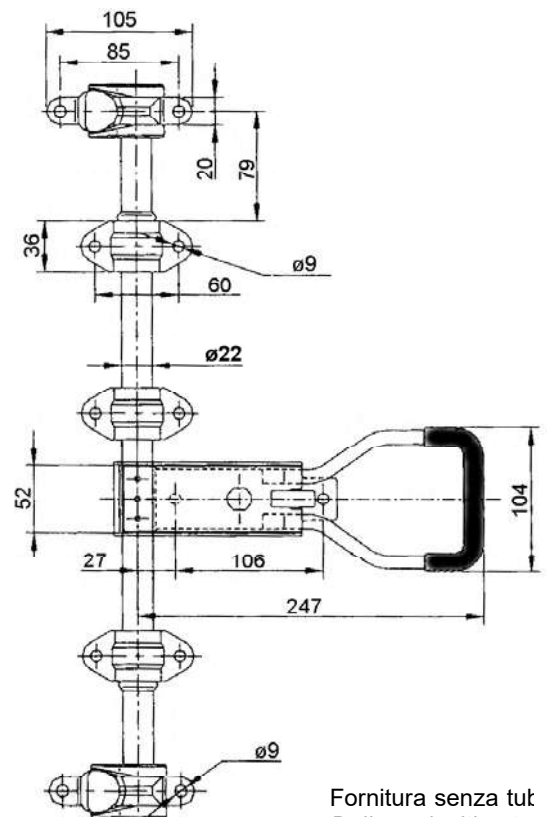
Chiusura esterna TILE per tubo Ø22

TILE Lock for pipe Ø22

Art. 80372110 Zincata - Zinc plated

Art. 80372210 Inox - Stainless steel

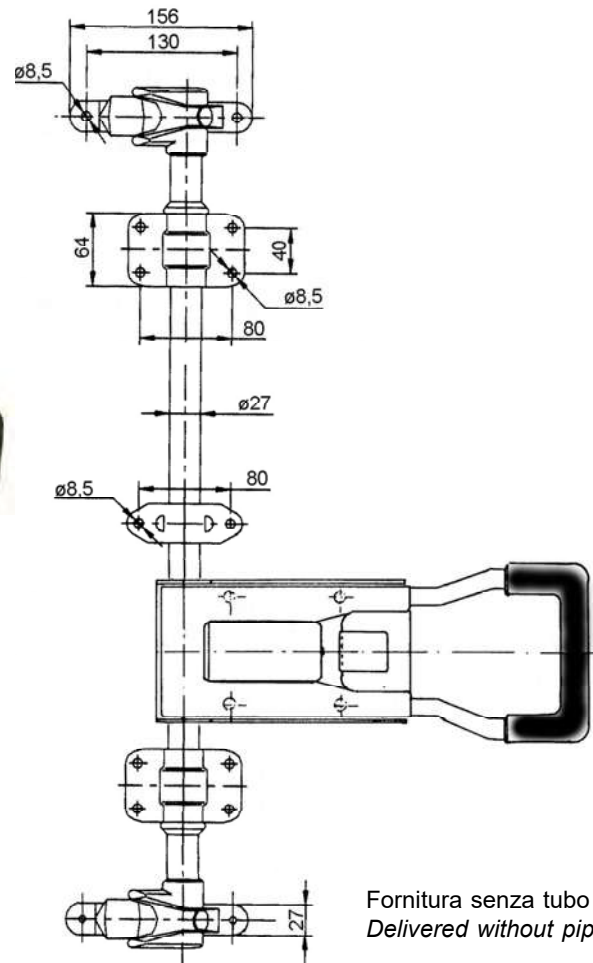
2,470 kg



Fornitura senza tut
Delivered without p



Chiusura esterna in inox Ø27
Stainless steel lock for pipe Ø27
Art. 80370210
6,000 kg



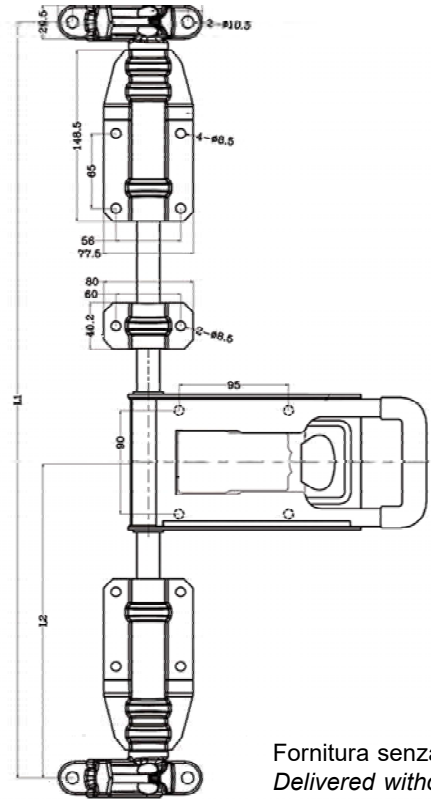
Fornitura senza tubo
Delivered without pipe



Chiusura esterna Alfa in inox Ø22
Stainelss stell Alfa lock for pipe Ø22

Art. 80389210

3,600 kg

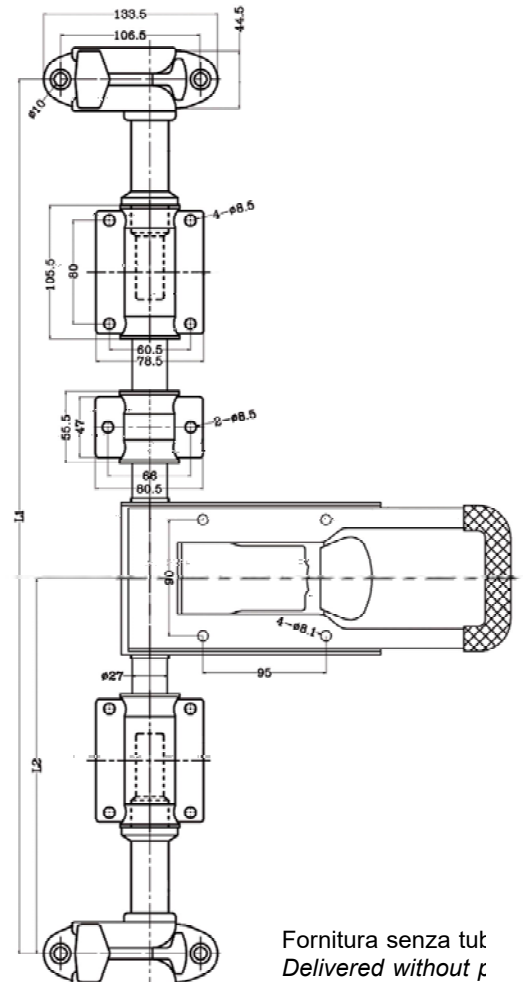


Fornitura senza tubo
Delivered without pipe

Chiusura esterna Alfa in inox Ø27
Stainelss stell Alfa lock for pipe Ø27

Art. 80390210

5,300 kg



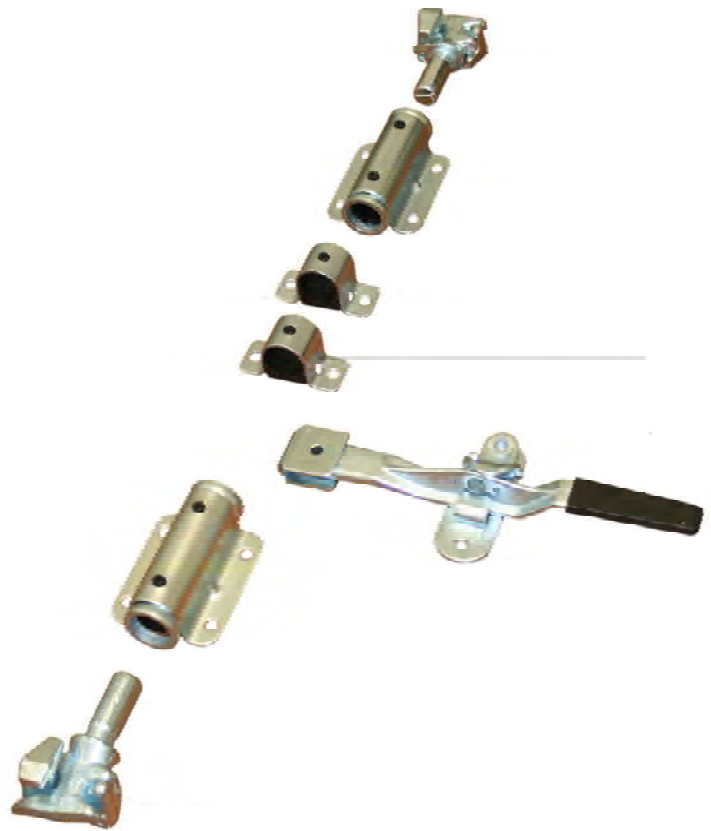
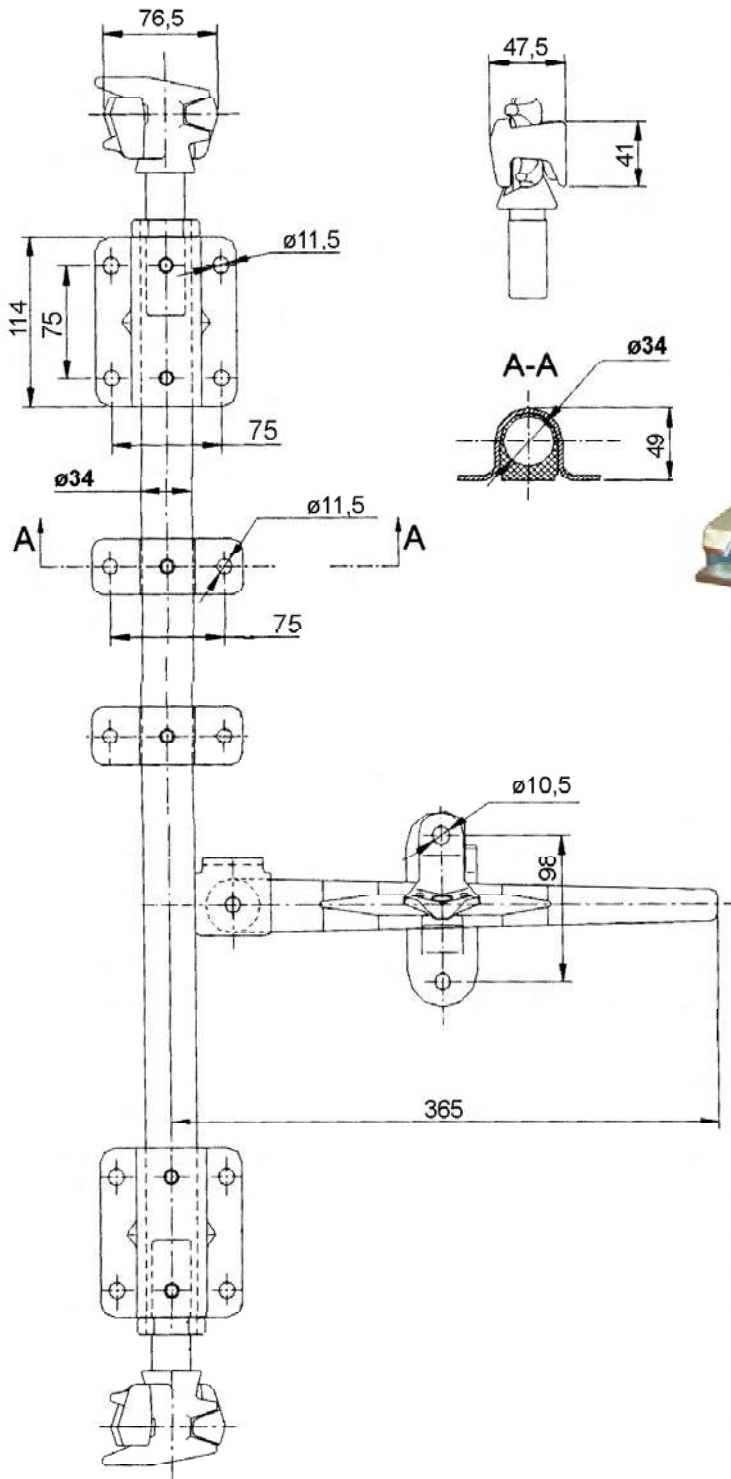
Fornitura senza tubo
Delivered without pipe



Chiusura esterna zincata Ø34 con boccole in PVC
Zinc plated door gear for pipe Ø34 with PVC bush

Art. 80369310

4,960 kg



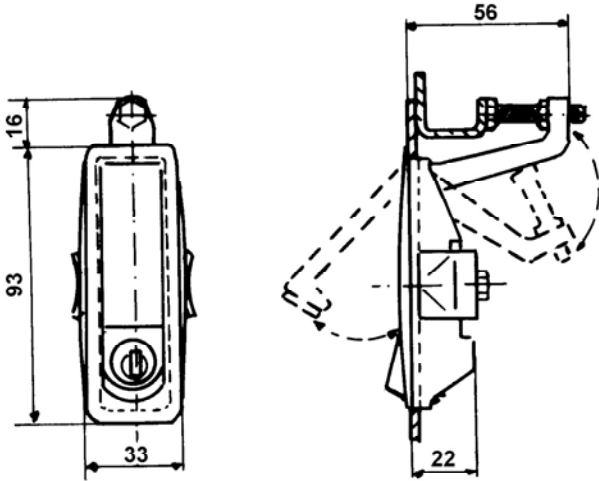
Fornitura senza tubo
Delivered without pipe



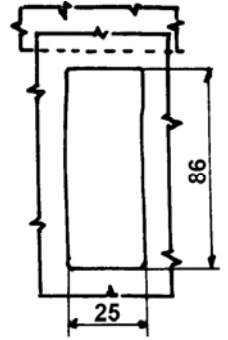
Chiusura a leva con chiave a pulsante

Diecast tool box door lock with key

Art. 80952801 - 0,200 kg



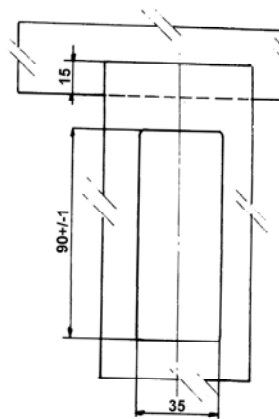
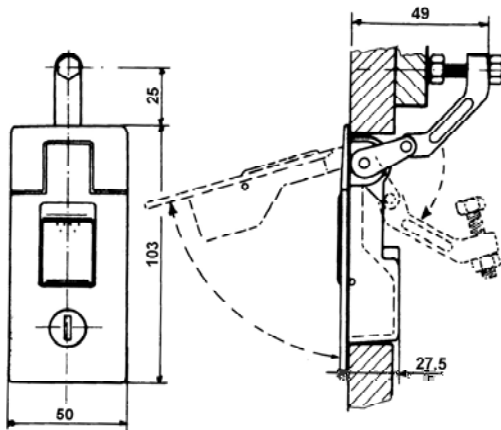
Installazione
Installation



Chiusura a leva di tenuta con chiave

Diecast tool box door lock handle with key

Art. 80952800 - 0,440 kg



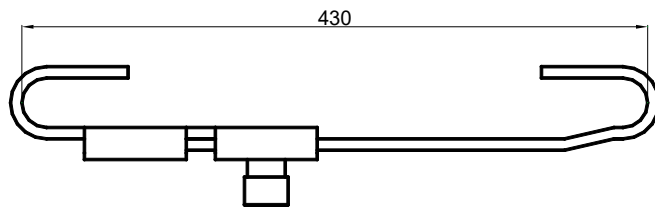
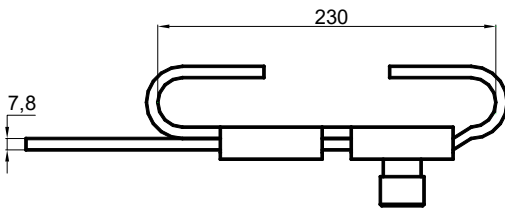
Installazione
Installation



Lucchetto di bloccaggio regolabile da 230 a 430
Lock locking rear doors adjustable from 230 to 430

Art. 80900808

2,230 kg





KOUTSOFTA
BROS.

A&G KOUTSOFTA BROS LTD

23 Markou Drakou, Dasaki Achnas, Cyprus

koutsoftabros@cytanet.com.cy

Tel: +357 24722500

the catalogue without notes.



15

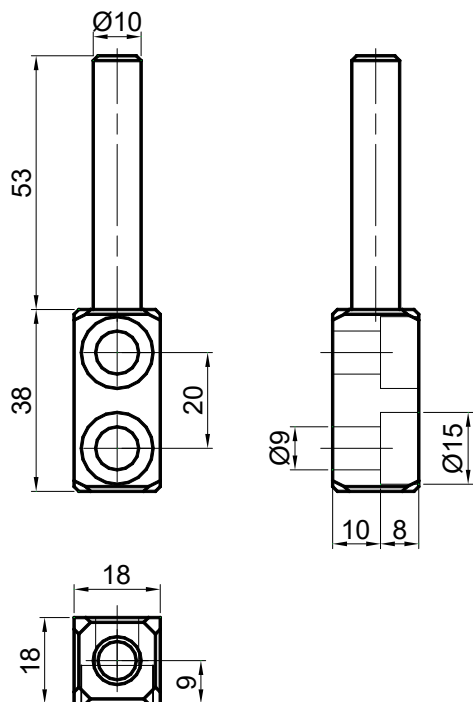
- Accessori per carrelli appendice
- *Fittings for trailers*

Perno zincato per cerniera

Zinc plated pin for hinge

Art. 80600162

0,100 kg

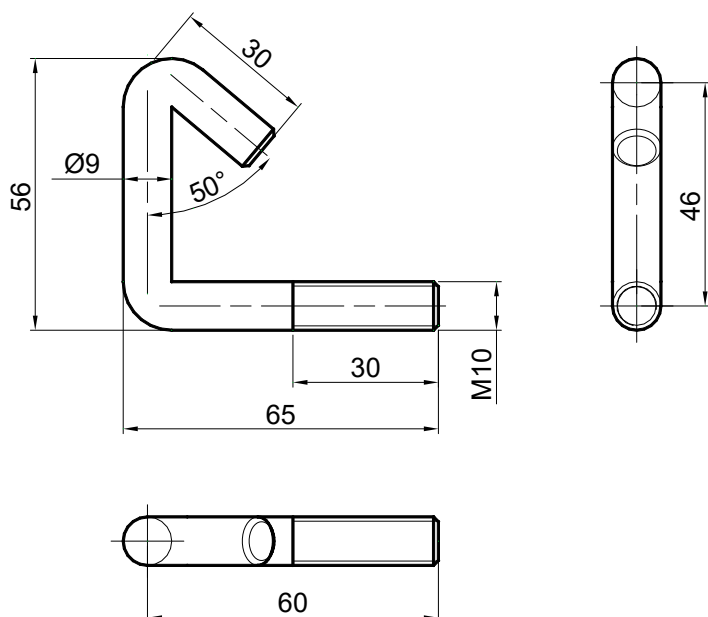


Maniglia zincata sfilabile a L

Zinc plated handle

Art. 80600262

0,100 kg



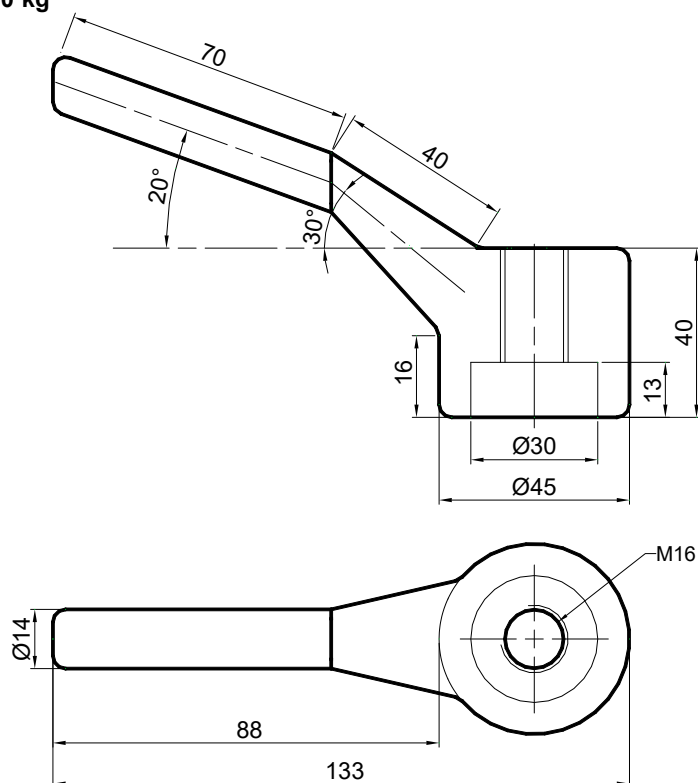


Maniglia zincata per serraggio

Zinc plated small stop screw

Art. 80600462

0,500 kg

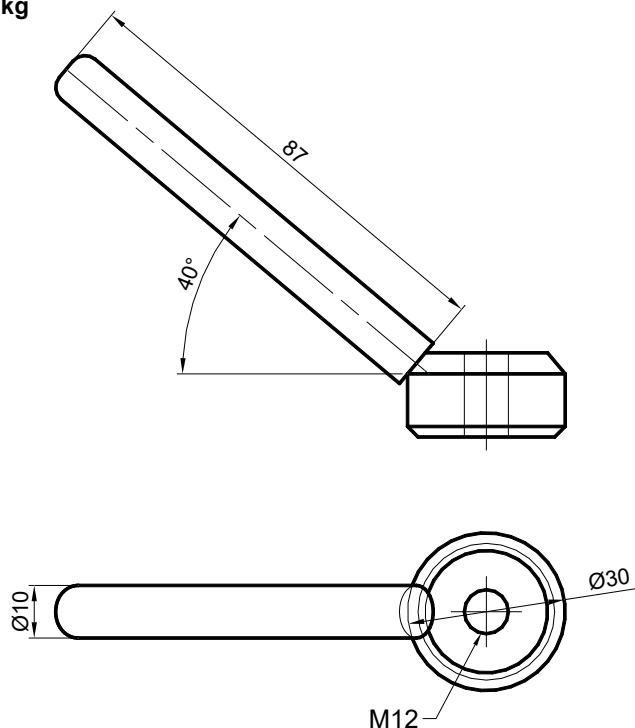


Vite di fermo piccola zincata

Zinc plated small stop screw

Art. 80600463

0,135 kg

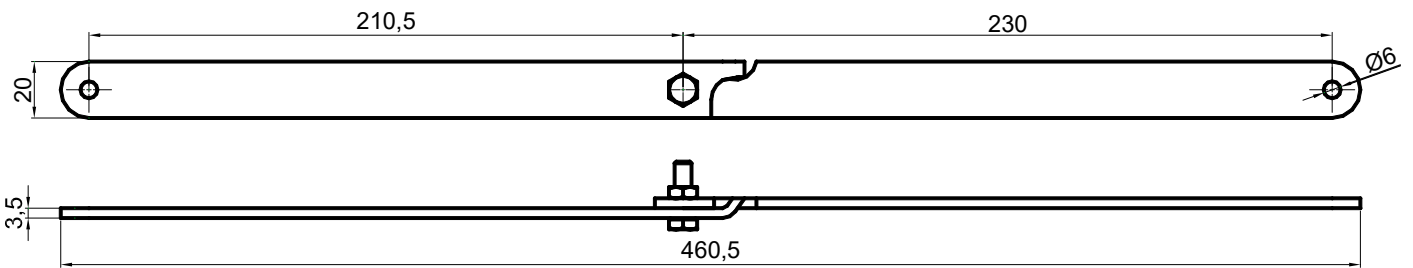
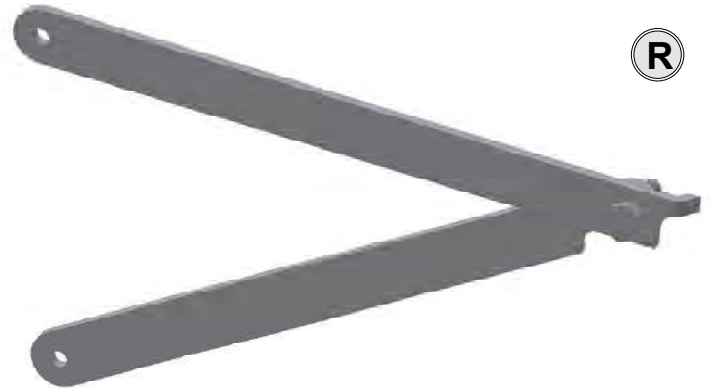




Supporto a compasso zincato destro
Zinc plated right compas complete bracket

Art. 80700162

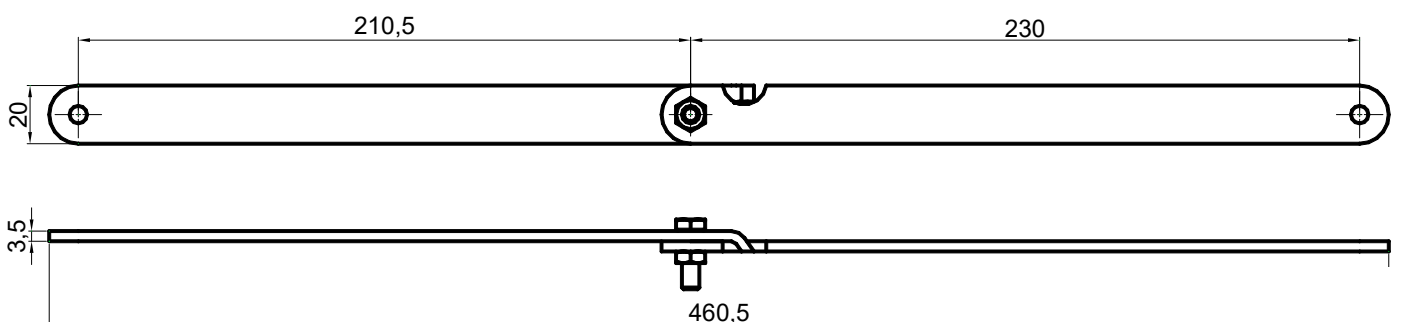
0,120 kg



Supporto a compasso zincato sinistro
Zinc plated left compas complete bracket

Art. 80700262

0,120 kg

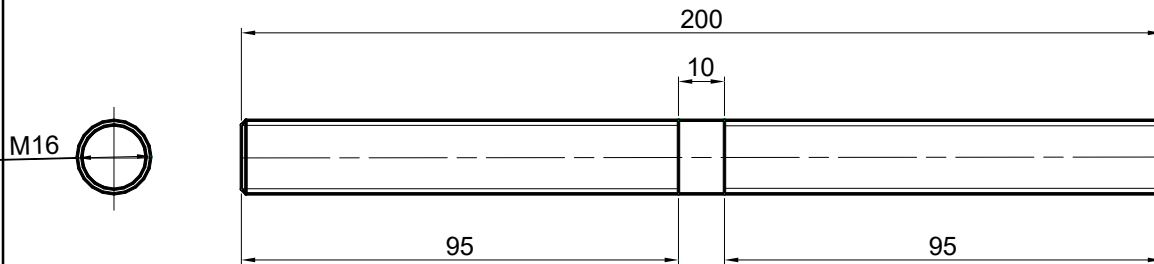




Perno filettato M16 zincato
Zinc plated M 16 threaded pin

Art. 80700583

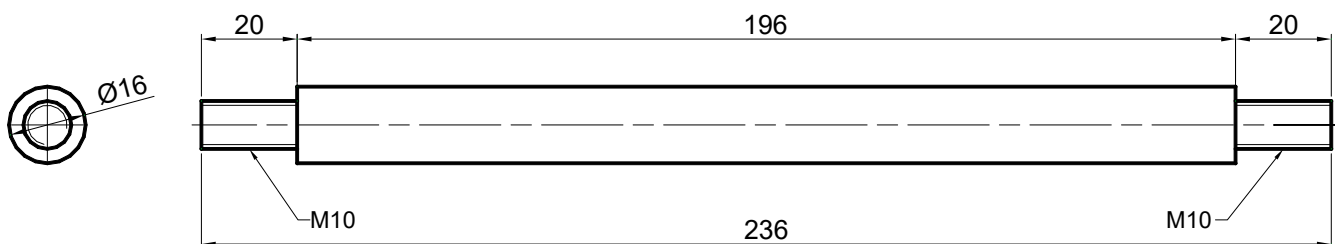
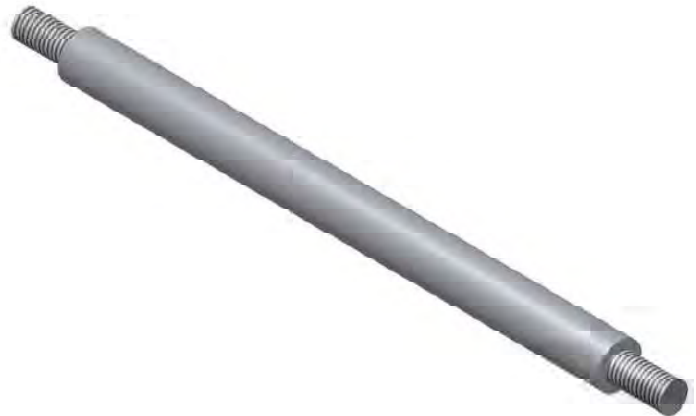
0,300 kg



Albero zincato Ø16
Zinc plated shaft Ø16

Art. 80700584

0,335 kg





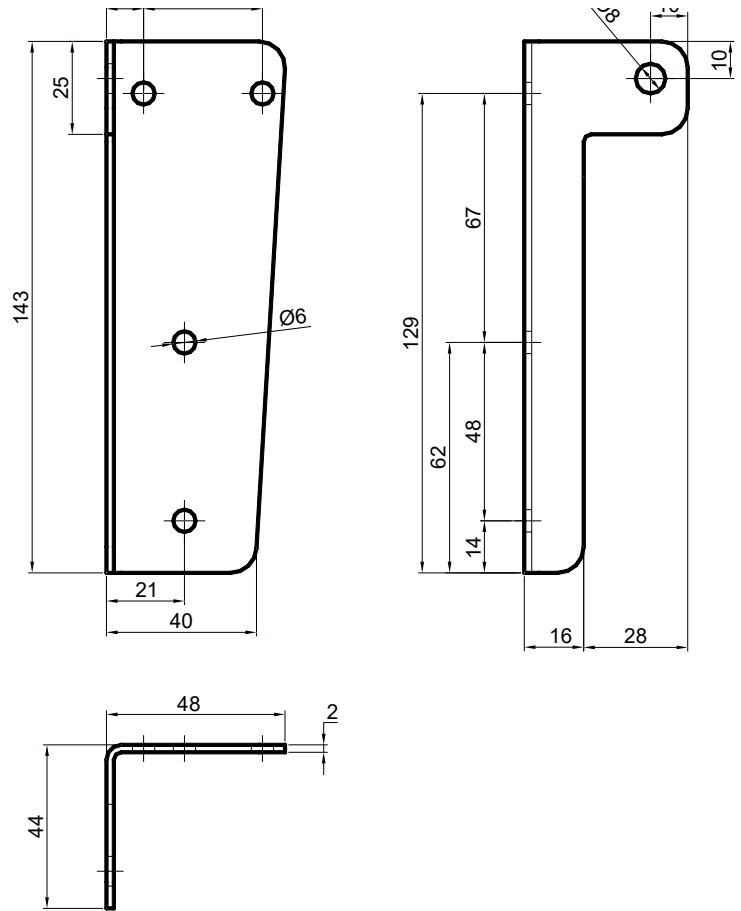
Cerniera destra zincata

Zinc plated right hinge

Art. 80700587

0,140 kg

R



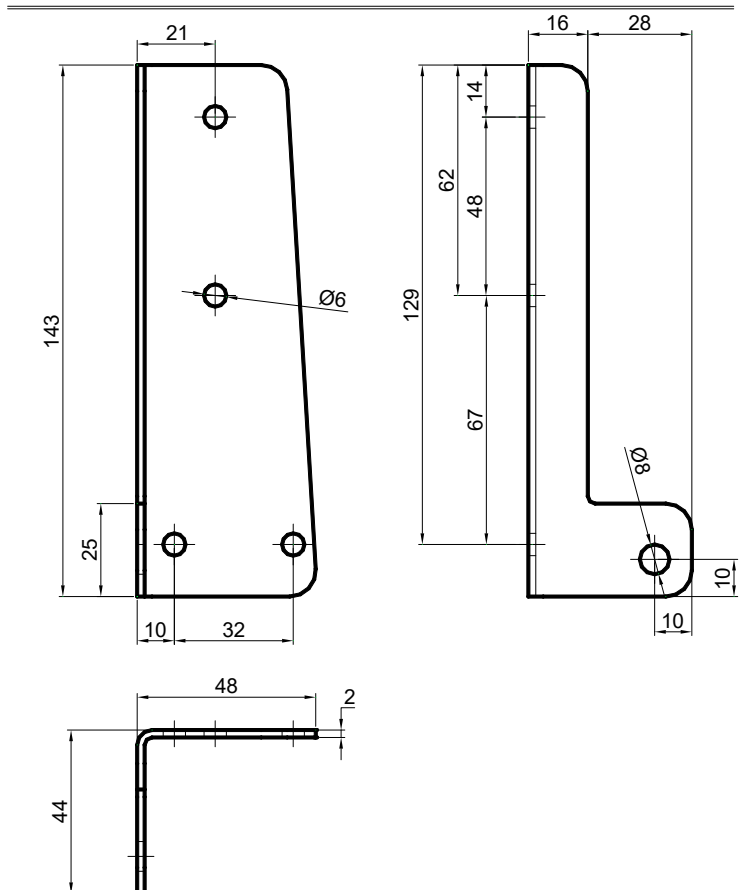
Cerniera sinistra zincata

Zinc plated left hinge

Art. 80700588

0,140 kg

L

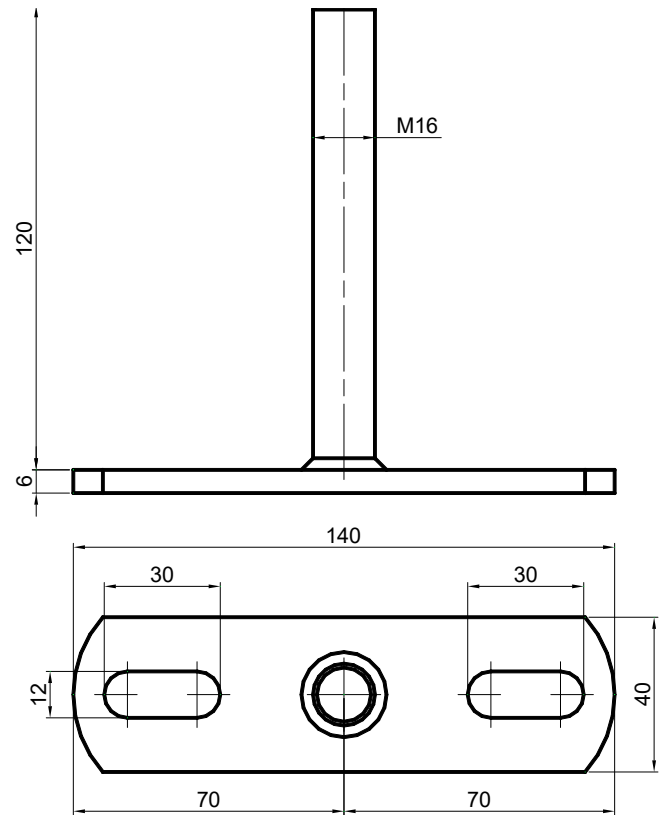




Piatto con perno filettato zincato
Zinc plated plate with threaded pin

Art. 80900162

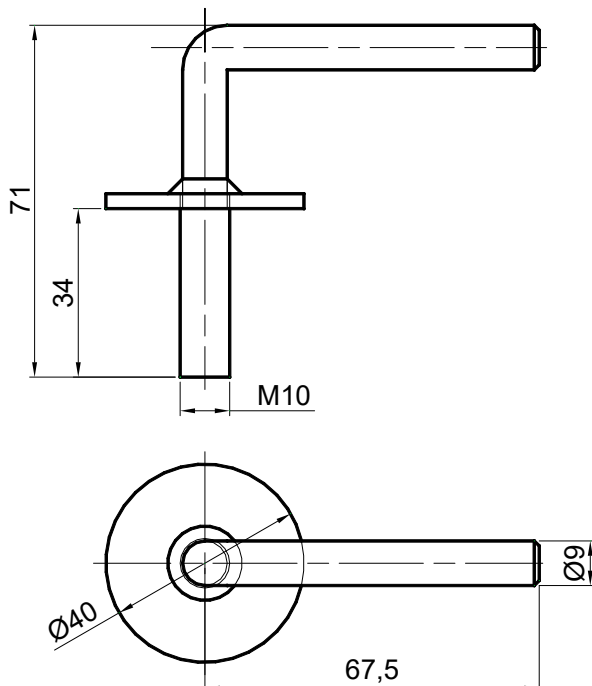
0,400 kg



Maniglia di fermo zincata
Zinc plated stop handle

Art. 80680016

0,120 kg

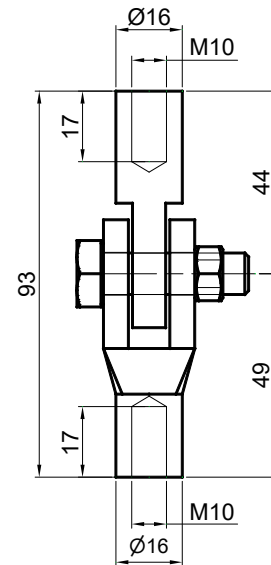
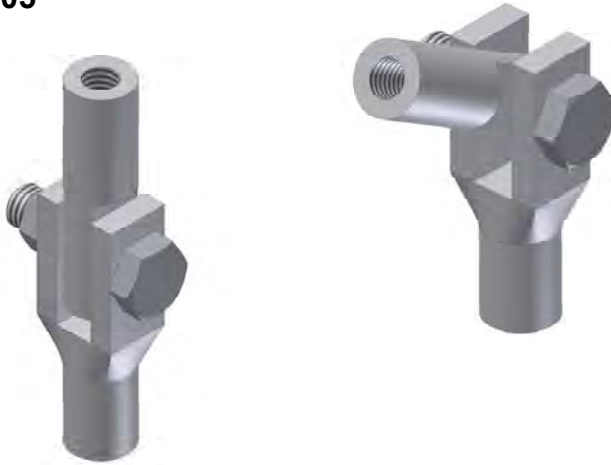




Snondo zincato per freni
Zinc plated articulated joint for for brakes

Art. 29105105

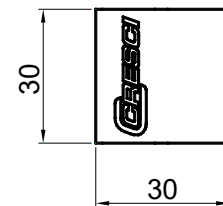
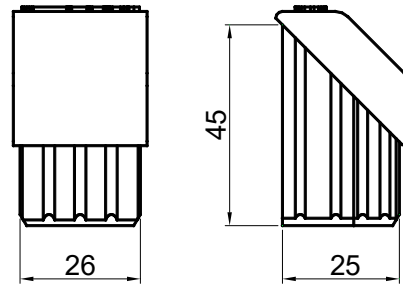
0,200 kg



Tappo 30x30 in PVC per supporto rullo barca
PVC Cap 30x30 for support roller boat

Art. 80603030

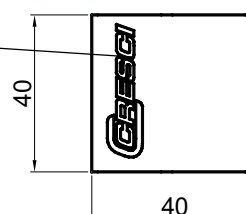
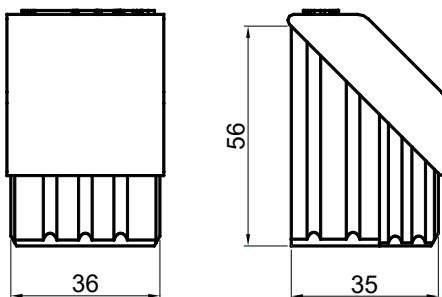
0,180 kg



Tappo 40x40 in PVC per supporto rullo barca
PVC Cap 40x40 for support roller boat

Art. 80604040

0,220 kg



Con logo personalizzato
With customised logo

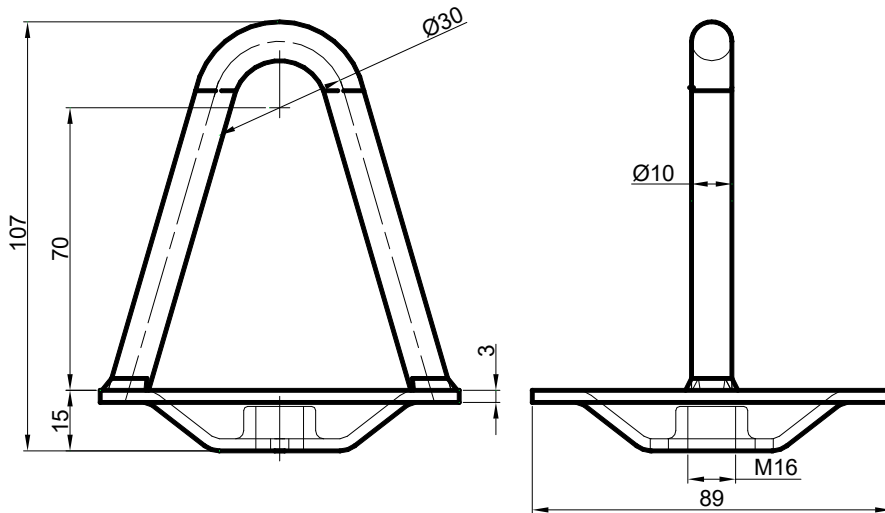




Scodellino zincato ferma ruota di scorta
Zinc plated hook cup for spare wheel

Art. 80900165

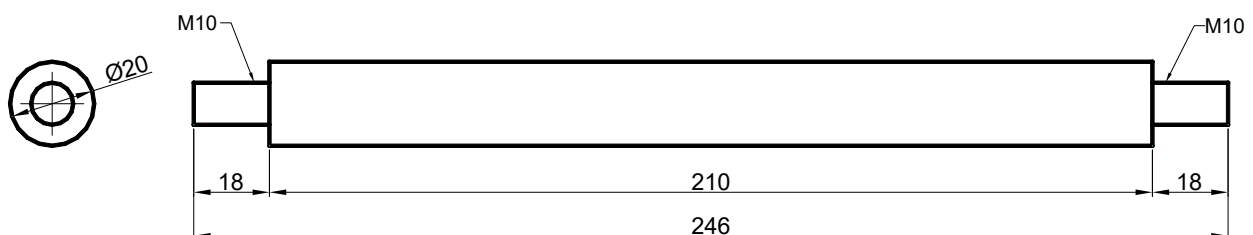
0,200 kg



Albero zincato Ø20
Zinc plated shaft Ø20

Art. 80700589

0,360 kg





KOUTSOFTA
BROS.

A&G KOUTSOFTA BROS LTD

23 Markou Drakou, Dasaki Achnas, Cyprus

koutsoftabros@cytanet.com.cy

Tel: +357 24722500



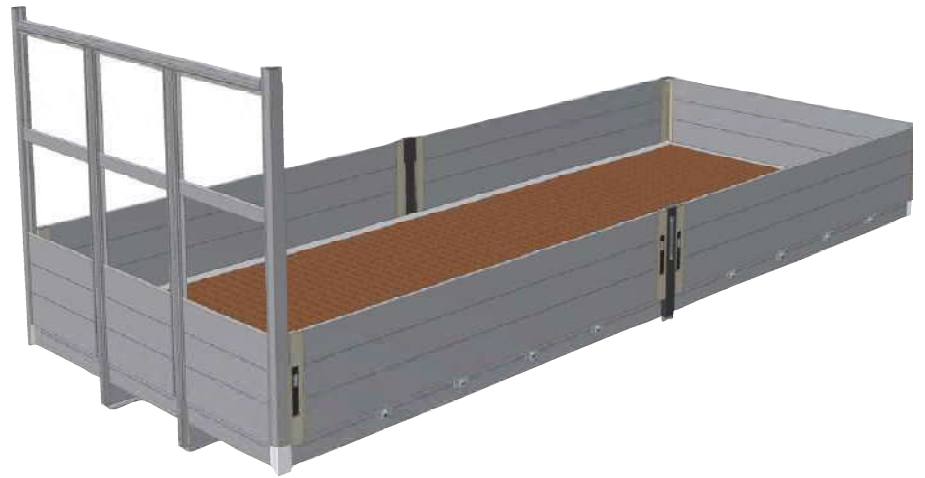
KOUTSOFTA
BROS.

A&G KOUTSOFTA BROS LTD

23 Markou Drakou, Dasaki Achnas, Cyprus

koutsoftabros@cytanet.com.cy

Tel: +357 24722500



16

- Plan Kit
- Laminati in fibra di vetro
- Pannelli sandwich

- *Plan Kit*
- *Reinforced skin fiberglass*
- *Sandwich pannels*



KOUTSOFTA
BROS.

A&G KOUTSOFTA BROS LTD

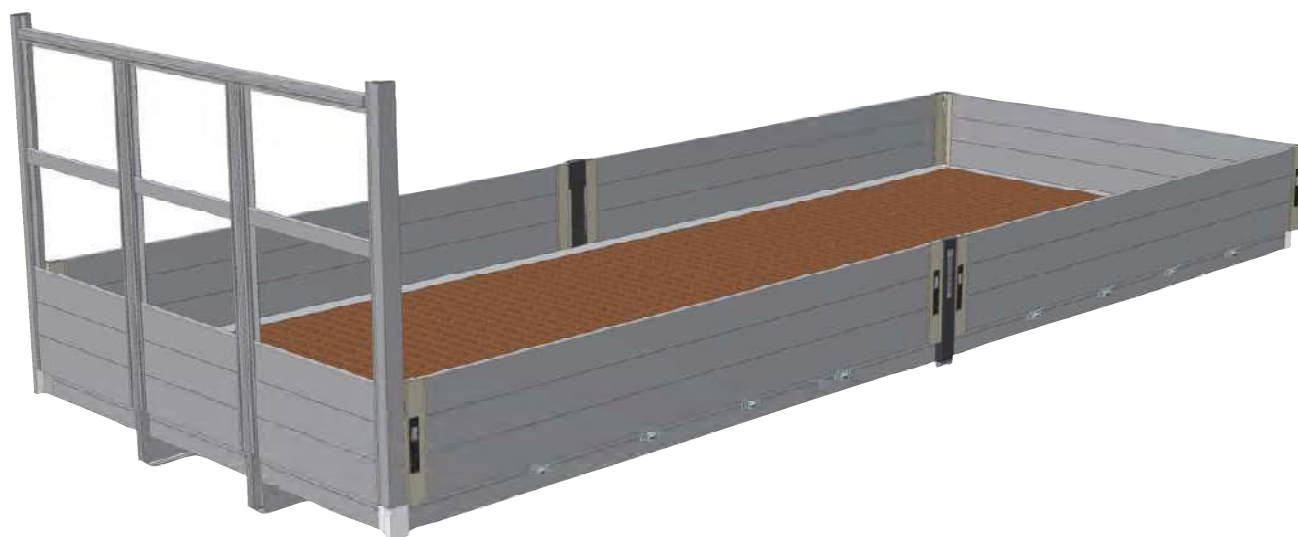
23 Markou Drakou, Dasaki Achnas, Cyprus

koutsoftabros@cytanet.com.cy

Tel: +357 24722500

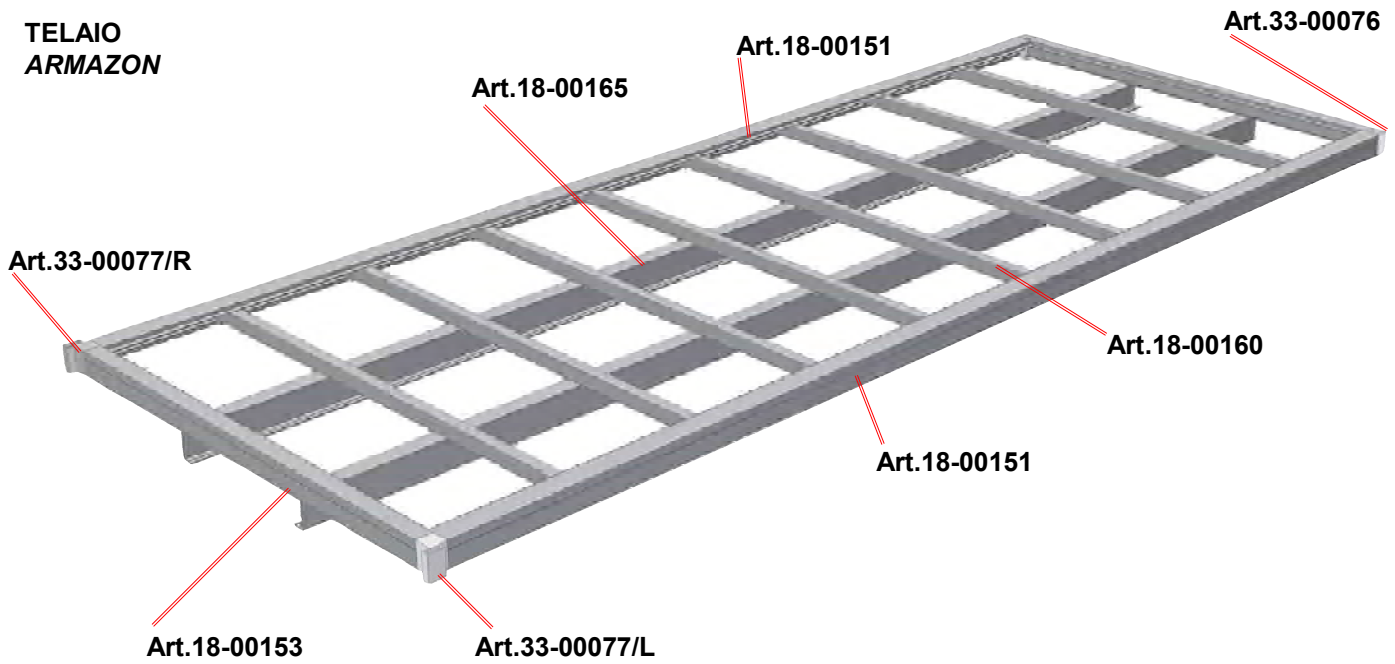
PLAN - KIT

pavimento multistrato
piso de madera plywood



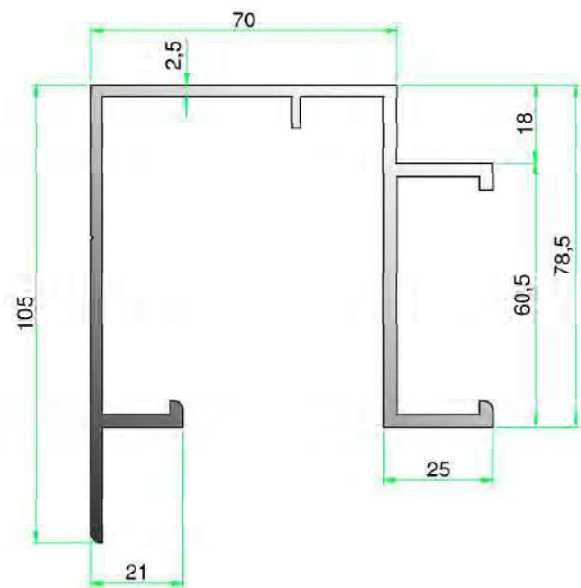
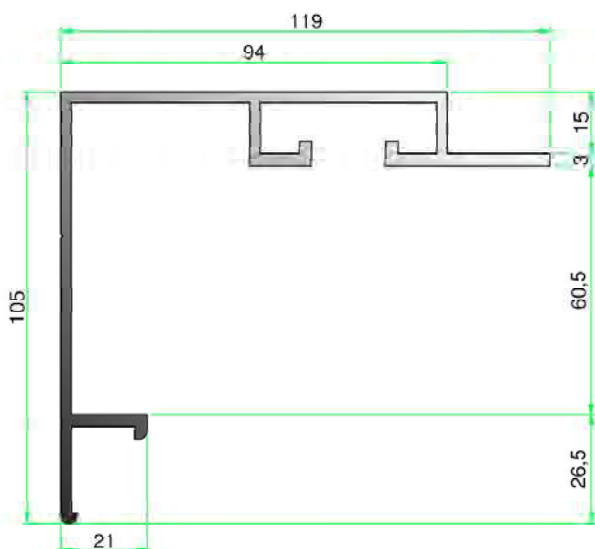
Il Pianale in alluminio con pavimento multistrato plywood
consegnato in Kit di montaggio

*La plancha de el cajon hecha completamente en aluminio anodizado
con piso de madera plywood entregada en kit para el montaje*



Art. 18-00151 - 2,043 Kg/ml.
Longherina per multistrato
Perfil de macro lateral

Art. 18-00153 - 2,130 Kg/ml.
Testata per multistrato
Perfil de cabeza delantera y trasera

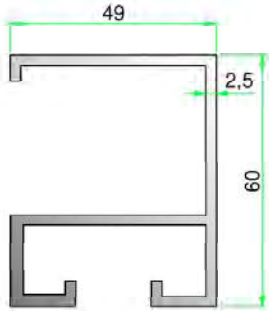




Art. 18-00160 - 1,485 Kg/ml.

Traversa

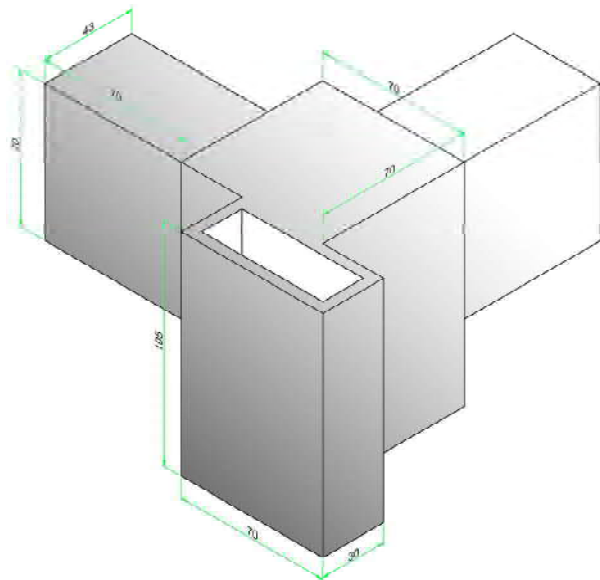
Perfil transversaño



Art. 33-00077/R - 0,860 Kg

Blocco d'angolo destro in alluminio con sede

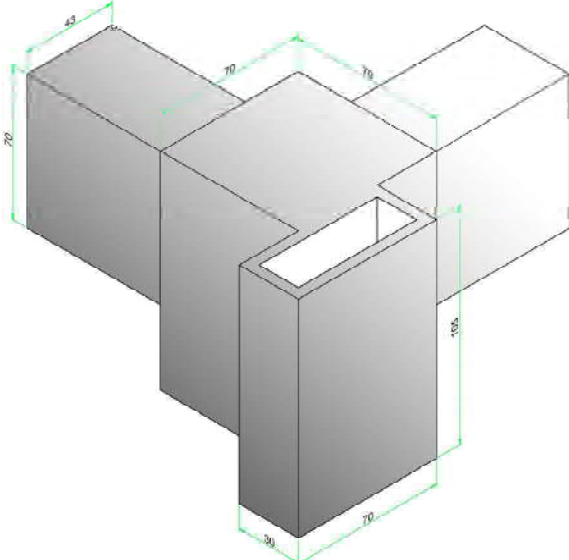
Pieza de angulo derecho con injerto de aluminio



Art. 33-00077/L - 0,860 Kg

Blocco d'angolo sinistro in alluminio con sede

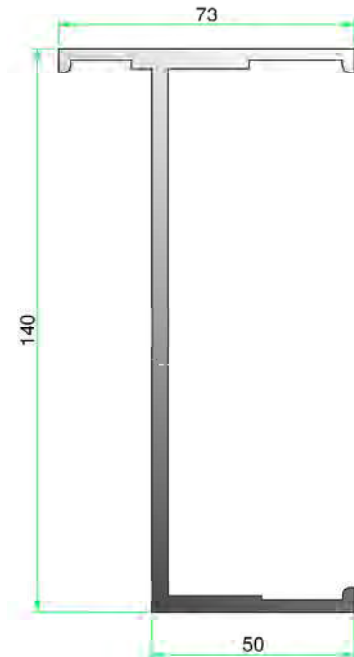
Pieza de angulo izquierdo con injerto de aluminio



Art. 18-00165 - 2,783 Kg/ml.

Longherone

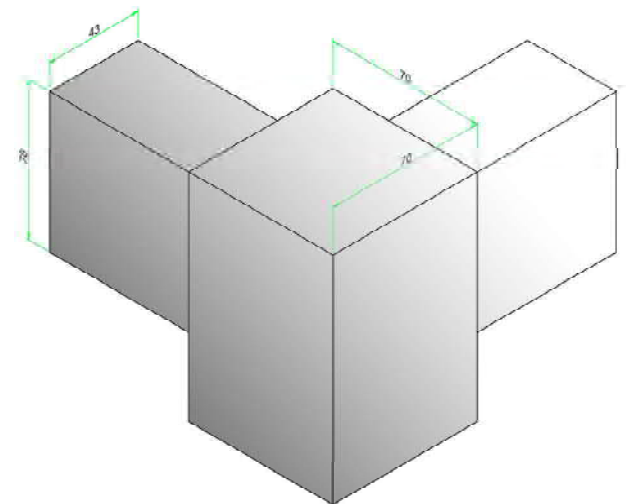
Perfil central y corredero



Art. 33-00076 - 0,585 Kg

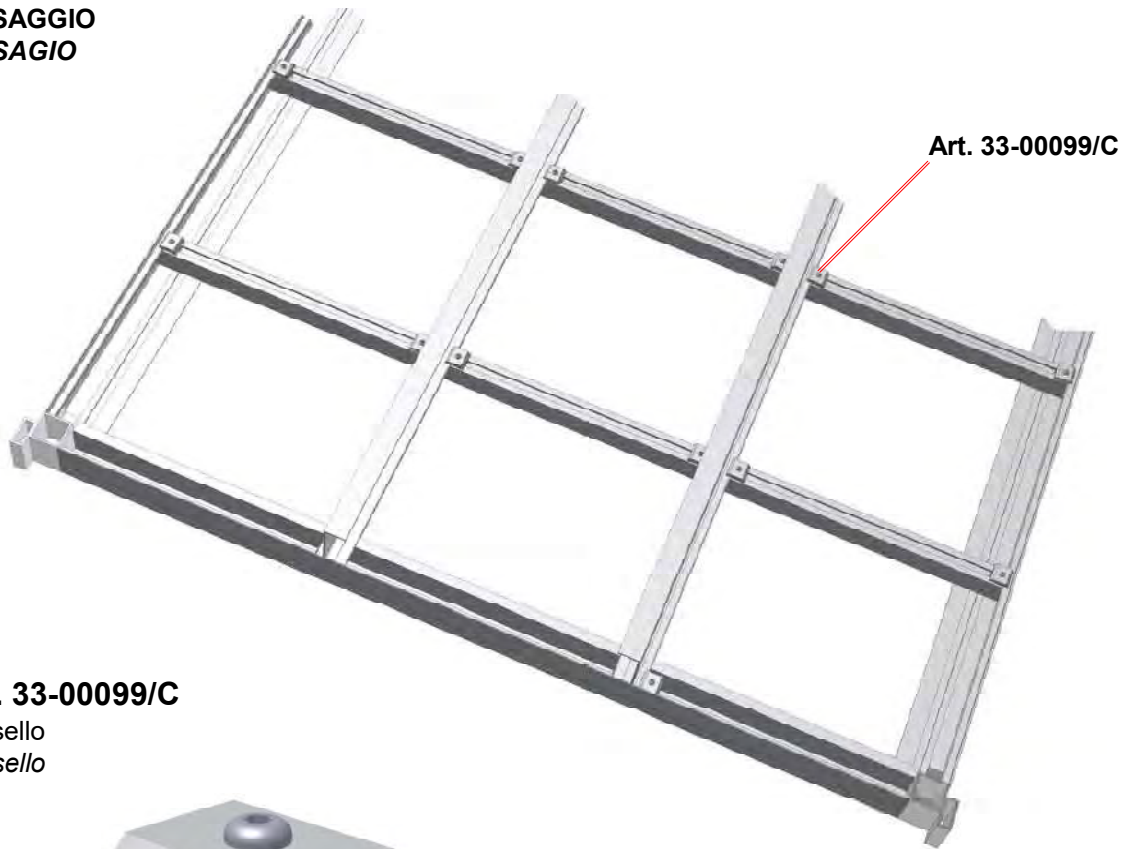
Blocco d'angolo in alluminio

Pieza de angulo aluminio bruto



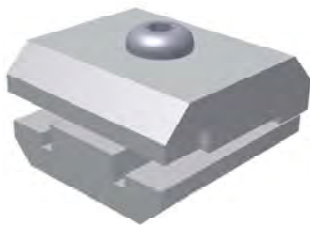


FISSAGGIO
FISSAGGIO

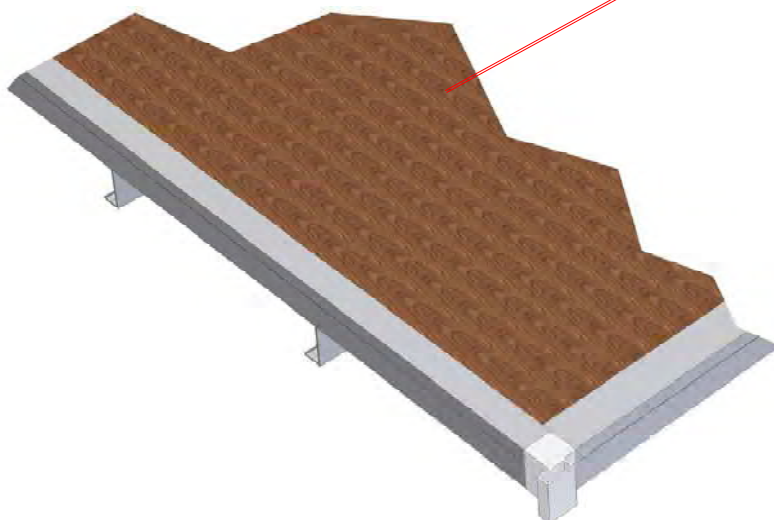


Art. 33-00099/C

Tassello
Tassello



PAVIMENTO MULTISTRATO
PISO DE MADERA PLAYWOOD





PARACABINA
PARACABINA

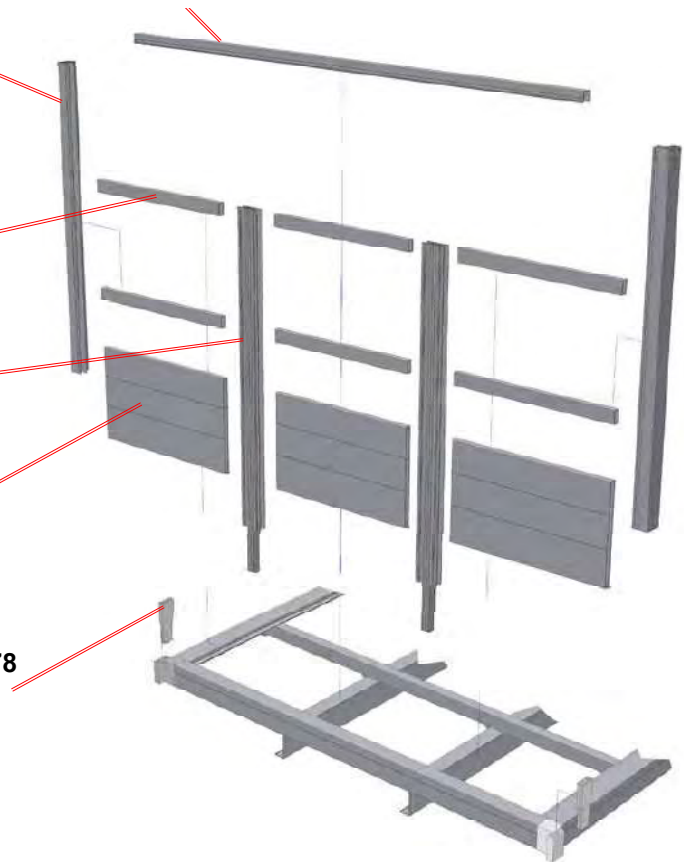
Art. 18-00170

Art. 17-02650

Art. 17-00046

Art. 16-00006

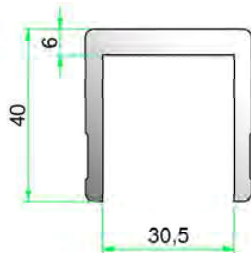
Art. 33-00078



Art. 17-00120 - 1,035 Kg/ml.

Testata s.30

Perfil s.30 de cabeza



Art. 17-00046 - 2,172 Kg/ml.

Perfil a H

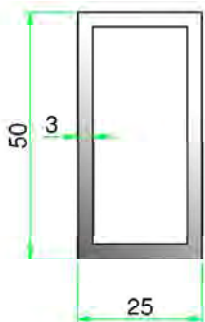
Perfil de H



Art. 13-02650 - 0,784 Kg/ml.

Perfil rettangolare

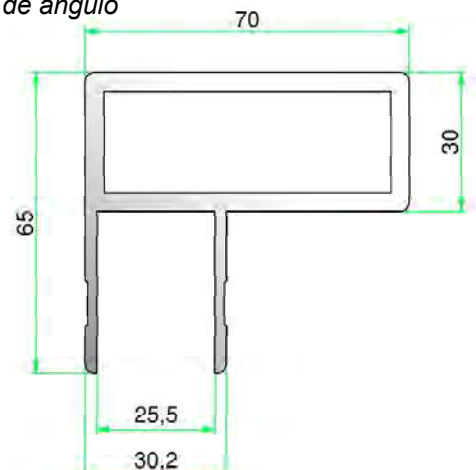
Perfil rectangular



Art. 18-00170 - 1,944 Kg/ml.

Cantonale

Perfil de angulo

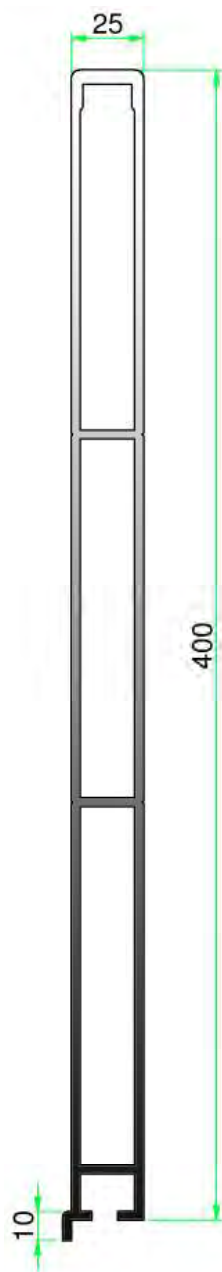




Art. 16-00006 - 4,757 Kg/ml.

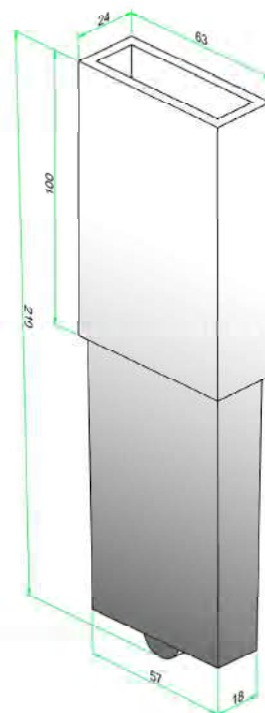
Profilo sponda H=400

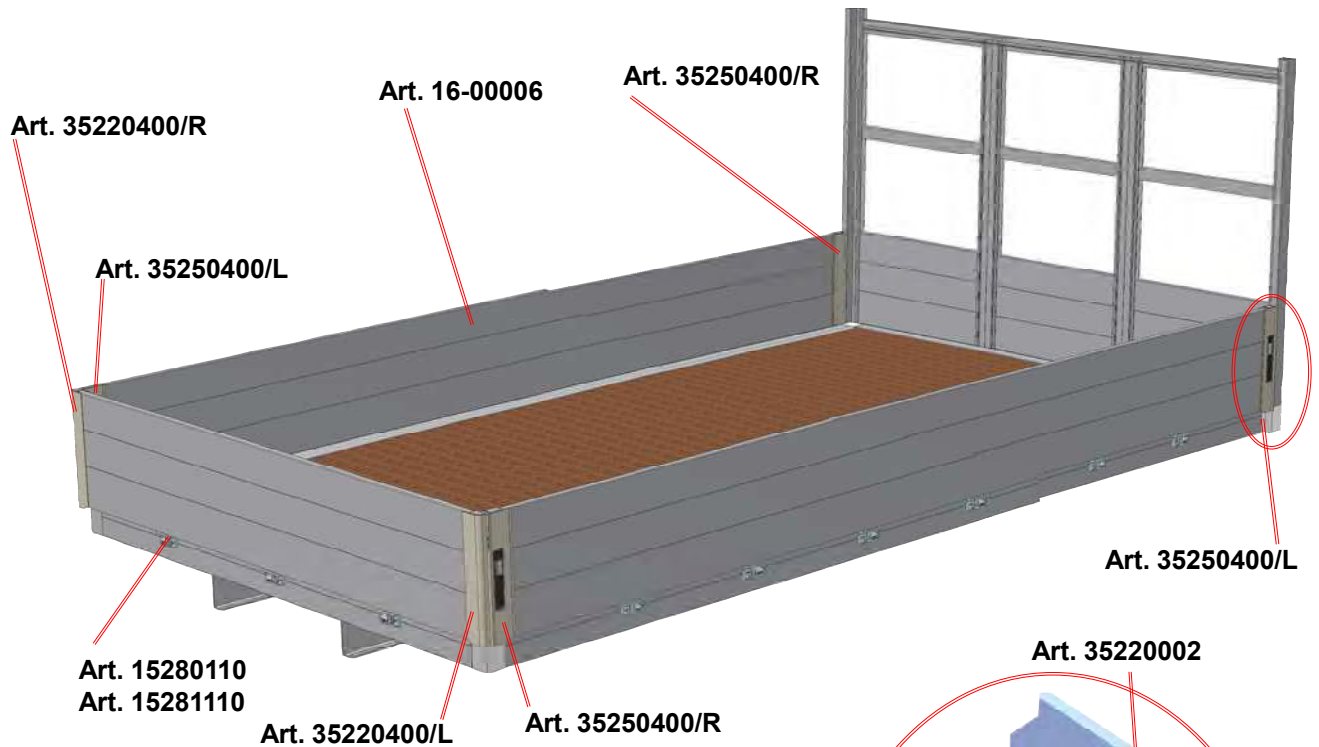
Baranda en aluminio H=400



Art. 33-00078 - 0,395

Innesto maschio in alluminio





Art. 35250400/L

Piantone in alluminio sinistro
Pilar de aluminio izquierdo



Art. 35250400/R

Piantone in alluminio destro
Pilar de aluminio derecho



Art. 35220400/L

Angolo piantone sinistro
Angulo pilar aluminio izquierdo



Art. 35220400/L

Angolo piantone sinistro
Angulo pilar aluminio derecho



Art. 15281110

Cerniera BM leggera
Bisagra BM hembra acero matizado zincado



Art. 15280110

Perno BM leggera
Gonze BM acero matizado zincado





PLAN-KIT "A" 2140x3000

Art. 18214030

Articolo Referencia	Descrizione Descripción	Lungh.	n° pz.
Art. 18-00165	Longheroni		2
Art. 18-00160	Traversa		5
Art. 18-00151	Longherina per multistrato		2
Art. 18-00153	Longherina di testata	3100	2
		2135	
Art. 33-00077/R	Blocco d'angolo Dx con sede	2860	1
Art. 33-00077/L	Blocco d'angolo Sx con sede	2000	1
Art. 33-00076	Blocco d'angolo		2
Art. 33-00099/C	Tasselo Plan-Kit completo		40
Art. 16-00006	Sponde H.400 (laterale)		2
Art. 16-00006	Sponde H.400 (posteriore)		1
Art. 16-00006	Sponde H.400 (anteriore)		1
		2816	
Art. 18-00170	Cantonale	2124	2
Art. 17-00046	Profilo ad H	2100	2
Art. 13-02650	Tubo rettangolare 50x25 sp.3		3
Art. 17-00120	Testata s.30 normale	2000	1
Art. 33-00078	Innesto maschio	2000	2
		2100	
		2070	
Art. 35250400/R	Piantone TL35 destro		2
Art. 35250400/L	Piantone TL35 sinistro		2
Art. 35220400/R	Piantone d'angolo TL35 destro		1
Art. 35220400/L	Piantone d'angolo TL35 sinistro		1
Art. 35220002	Taschetta per TL35		2
Art. 15280110	Perno BM zincato		12
Art. 15281110	Cerniera BM zincata		12
Art. 15279110	Piastrina Int.50 x cerniera		12
Art. 15278110	Piastrina Int.70 x perno		12

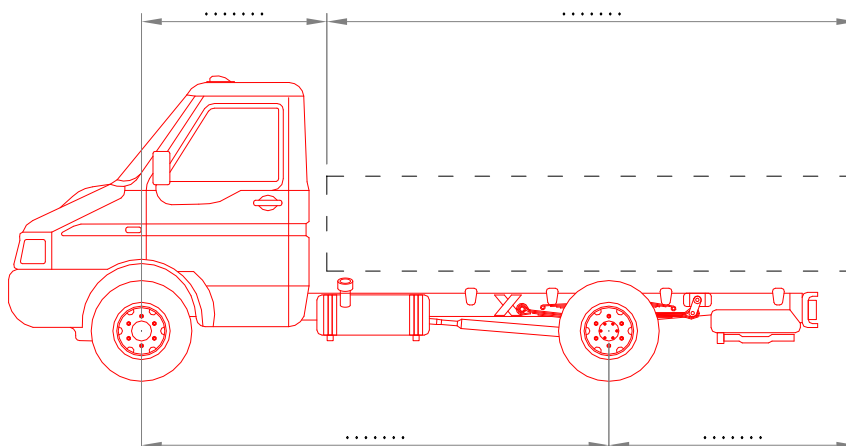
PLAN-KIT "B" 2140x3500

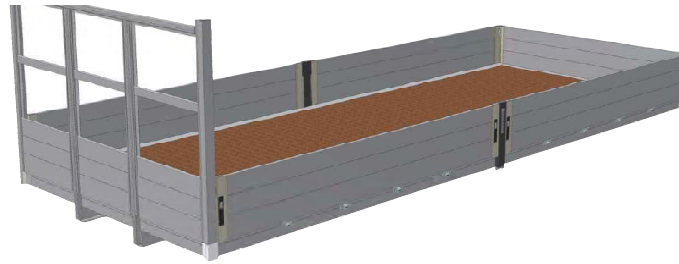
Art. 18214035

Articolo Referencia	Descrizione Descripción	Lungh.	n° pz.
Art. 18-00165	Longheroni		2
Art. 18-00160	Traversa		6
Art. 18-00151	Longherina per multistrato		2
Art. 18-00153	Longherina di testata	3600	2
		2135	
Art. 33-00077/R	Blocco d'angolo Dx con sede	3360	1
Art. 33-00077/L	Blocco d'angolo Sx con sede	2000	1
Art. 33-00076	Blocco d'angolo		2
Art. 33-00099/C	Tasselo Plan-Kit completo		46
Art. 16-00006	Sponde H.400 (laterale)		2
Art. 16-00006	Sponde H.400 (posteriore)		1
Art. 16-00006	Sponde H.400 (anteriore)		1
		3316	
Art. 18-00170	Cantonale	2124	2
Art. 17-00046	Profilo ad H	2100	2
Art. 13-02650	Tubo rettangolare 50x25 sp.3		3
Art. 17-00120	Testata s.30 normale	2000	1
Art. 33-00078	Innesto maschio	2000	2
		2100	
		2070	
Art. 35250400/R	Piantone TL35 destro		2
Art. 35250400/L	Piantone TL35 sinistro		2
Art. 35220400/R	Piantone d'angolo TL35 destro		1
Art. 35220400/L	Piantone d'angolo TL35 sinistro		1
Art. 35220002	Taschetta per TL35		2
Art. 15280110	Perno BM zincato		14
Art. 15281110	Cerniera BM zincata		14
Art. 15279110	Piastrina Int.50 x cerniera		14
Art. 15278110	Piastrina Int.70 x perno		14

Características Técnicas

Dimensiones



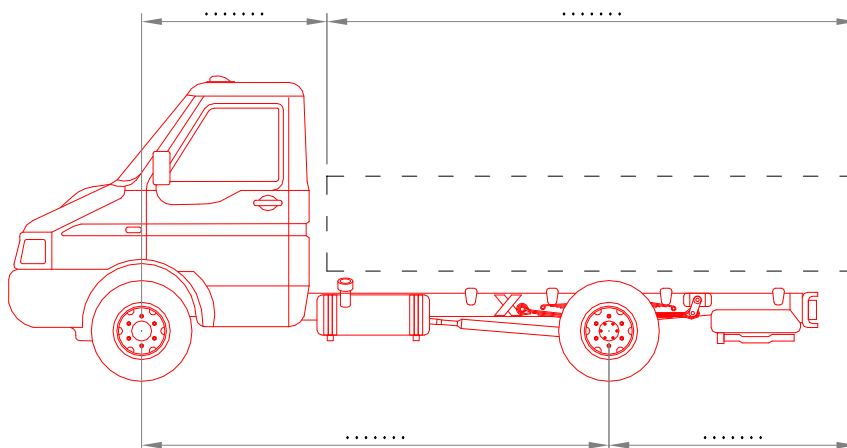


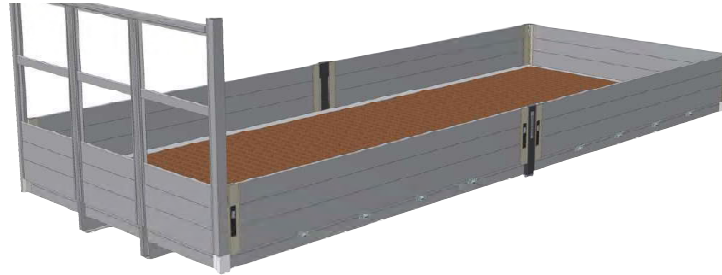
PLAN-KIT "C" 2140x4000 Art. 18214040

Articolo Referencia	Descrizione Descripción	Lungh.	n° pz.
Art. 18-00165	Longheroni	4100	2
Art. 18-00160	Traversa	2135	7
Art. 18-00151	Longherina per multistrato	3860	2
Art. 18-00153	Longherina di testata	2000	2
Art. 33-00077/R	Blocco d'angolo Dx con sede		1
Art. 33-00077/L	Blocco d'angolo Sx con sede		1
Art. 33-00076	Blocco d'angolo		2
Art. 33-00099/C	Tassello Plan-Kit completo		52
Art. 16-00006	Sponde H.400 (laterale)	3692	4
Art. 16-00006	Sponde H.400 (posteriore)	2124	1
Art. 16-00006	Sponde H.400 (anteriore)	2100	1
Art. 18-00170	Cantonale	2000	2
Art. 17-00046	Profilo ad H	2000	2
Art. 13-02650	Tubo rettangolare 50x25 sp.3	2100	3
Art. 17-00120	Testata s.30 normale	2070	1
Art. 33-00078	Innesto maschio		2
Art. 35250400/R	Piantone TL35 destro		4
Art. 35250400/L	Piantone TL35 sinistro		4
Art. 35220400/R	Piantone d'angolo TL35 destro		1
Art. 35220400/L	Piantone d'angolo TL35 sinistro		1
Art. 35220002	Taschetta per TL35		2
Art. 35100500	Piantone centrale		2
Art. 15280110	Perno BM zincato		18
Art. 15281110	Cerniera BM zincata		18
Art. 15279110	Piastrina Int.50 x cerniera		18
Art. 15278110	Piastrina Int.70 x perno		18

PLAN-KIT "D" 2140x4500 Art. 18214045

Articolo Referencia	Descrizione Descripción	Lungh.	n° pz.
Art. 18-00165	Longheroni	4600	2
Art. 18-00160	Traversa	2135	8
Art. 18-00151	Longherina per multistrato	4360	2
Art. 18-00153	Longherina di testata	2000	2
Art. 33-00077/R	Blocco d'angolo Dx con sede		1
Art. 33-00077/L	Blocco d'angolo Sx con sede		1
Art. 33-00076	Blocco d'angolo		2
Art. 33-00099/C	Tassello Plan-Kit completo		58
Art. 16-00006	Sponde H.400 (laterale)	4192	4
Art. 16-00006	Sponde H.400 (posteriore)	2124	1
Art. 16-00006	Sponde H.400 (anteriore)	2100	1
Art. 18-00170	Cantonale	2000	2
Art. 17-00046	Profilo ad H	2000	2
Art. 13-02650	Tubo rettangolare 50x25 sp.3	2100	3
Art. 17-00120	Testata s.30 normale	2070	1
Art. 33-00078	Innesto maschio		2
Art. 35250400/R	Piantone TL35 destro		4
Art. 35250400/L	Piantone TL35 sinistro		4
Art. 35220400/R	Piantone d'angolo TL35 destro		1
Art. 35220400/L	Piantone d'angolo TL35 sinistro		1
Art. 35220002	Taschetta per TL35		2
Art. 35100500	Piantone centrale		2
Art. 15280110	Perno BM zincato		18
Art. 15281110	Cerniera BM zincata		18
Art. 15279110	Piastrina Int.50 x cerniera		18
Art. 15278110	Piastrina Int.70 x perno		18





PLAN-KIT "E" 2140x5000 Art. 18214050

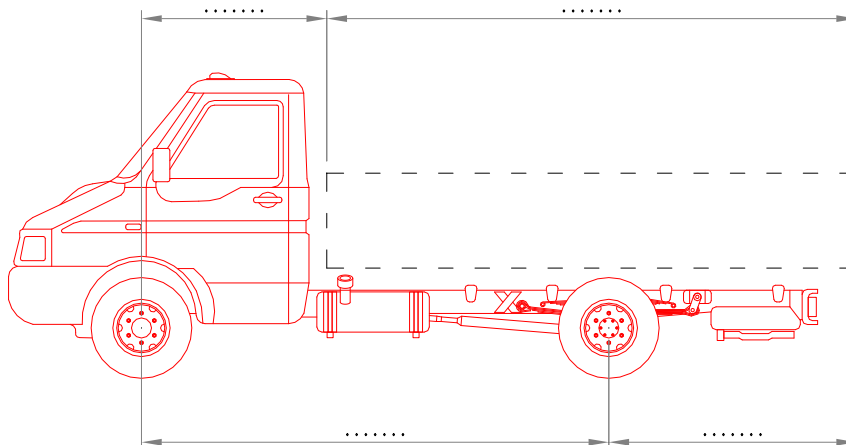
Articolo Referencia	Descrizione Descripción	Lungh.	n° pz.
Art. 18-00165	Longheroni	5100	2
Art. 18-00160	Traversa	2135	9
Art. 18-00151	Longherina per multistrato	4860	2
Art. 18-00153	Longherina di testata	2000	2
Art. 33-00077/R	Blocco d'angolo Dx con sede		1
Art. 33-00077/L	Blocco d'angolo Sx con sede		1
Art. 33-00076	Blocco d'angolo		2
Art. 33-00099/C	Tasselo Plan-Kit completo		64
Art. 16-00006	Sponde H.400 (laterale)	4692	4
Art. 16-00006	Sponde H.400 (posteriore)	2124	1
Art. 16-00006	Sponde H.400 (anteriore)	2100	1
Art. 18-00170	Cantonale	2000	2
Art. 17-00046	Profilo ad H	2000	2
Art. 13-02650	Tube rettangolare 50x25 sp.3	2100	3
Art. 17-00120	Testata s.30 normale	2070	1
Art. 33-00078	Innesto maschio		2
Art. 35250400/R	Piantone TL35 destro		4
Art. 35250400/L	Piantone TL35 sinistro		4
Art. 35220400/R	Piantone d'angolo TL35 destro		1
Art. 35220400/L	Piantone d'angolo TL35 sinistro		1
Art. 35220002	Taschetta per TL35		2
Art. 35100500	Piantone centrale		2
Art. 15280110	Perno BM zincato		22
Art. 15281110	Cerniera BM zincata		22
Art. 15279110	Piastrina Int.50 x cerniera		22
Art. 15278110	Piastrina Int.70 x perno		22

PLAN-KIT "F" 2140x5500 Art. 18214055

Articolo Referencia	Descrizione Descripción	Lungh.	n° pz.
Art. 18-00165	Longheroni	5600	2
Art. 18-00160	Traversa	2135	10
Art. 18-00151	Longherina per multistrato	4360	2
Art. 18-00153	Longherina di testata	2000	2
Art. 33-00077/R	Blocco d'angolo Dx con sede		1
Art. 33-00077/L	Blocco d'angolo Sx con sede		1
Art. 33-00076	Blocco d'angolo		2
Art. 33-00099/C	Tasselo Plan-Kit completo		70
Art. 16-00006	Sponde H.400 (laterale)	5192	4
Art. 16-00006	Sponde H.400 (posteriore)	2124	1
Art. 16-00006	Sponde H.400 (anteriore)	2100	1
Art. 18-00170	Cantonale	2000	2
Art. 17-00046	Profilo ad H	2000	2
Art. 13-02650	Tube rettangolare 50x25 sp.3	2100	3
Art. 17-00120	Testata s.30 normale	2070	1
Art. 33-00078	Innesto maschio		2
Art. 35250400/R	Piantone TL35 destro		4
Art. 35250400/L	Piantone TL35 sinistro		4
Art. 35220400/R	Piantone d'angolo TL35 destro		1
Art. 35220400/L	Piantone d'angolo TL35 sinistro		1
Art. 35220002	Taschetta per TL35		2
Art. 35100500	Piantone centrale		2
Art. 15280110	Perno BM zincato		22
Art. 15281110	Cerniera BM zincata		22
Art. 15279110	Piastrina Int.50 x cerniera		22
Art. 15278110	Piastrina Int.70 x perno		22

Características Técnicas

Dimensiones





KOUTSOFTA
BROS.

A&G KOUTSOFTA BROS LTD

23 Markou Drakou, Dasaki Achnas, Cyprus

koutsoftabros@cytanet.com.cy

Tel: +357 24722500

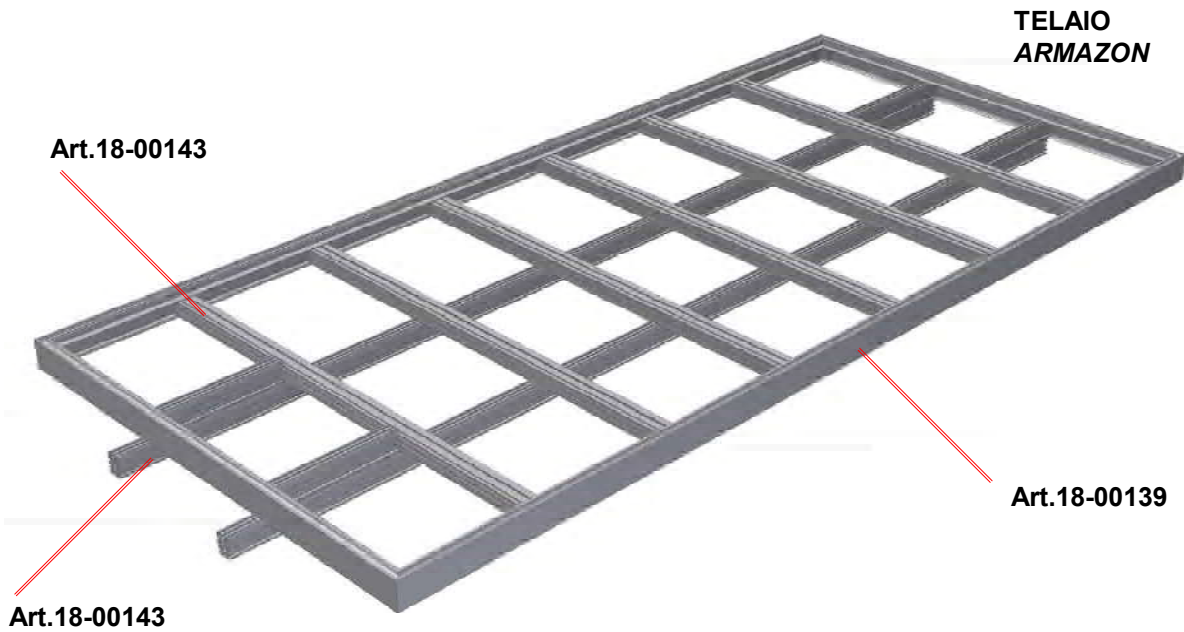
PLAN - KIT

pavimento in alluminio
con piso en aluminio



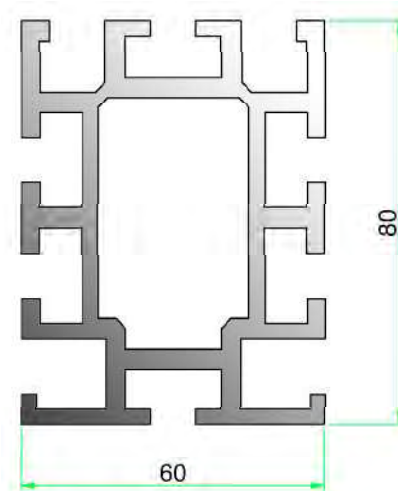
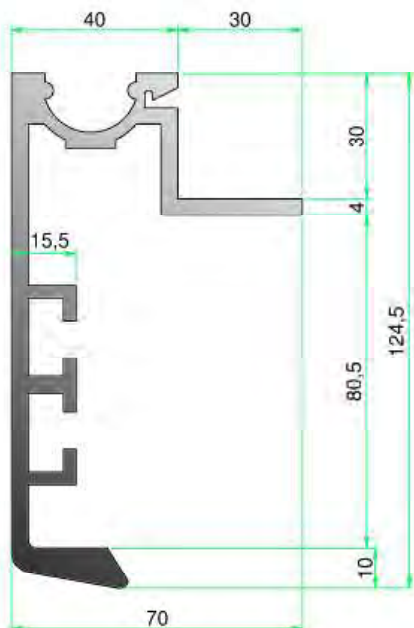
Il Pianale interamente in alluminio consegnato in Kit di montaggio

*La plancha de el cajon hecha completamente en aluminio anodizado
entregada en kit para el montaje*



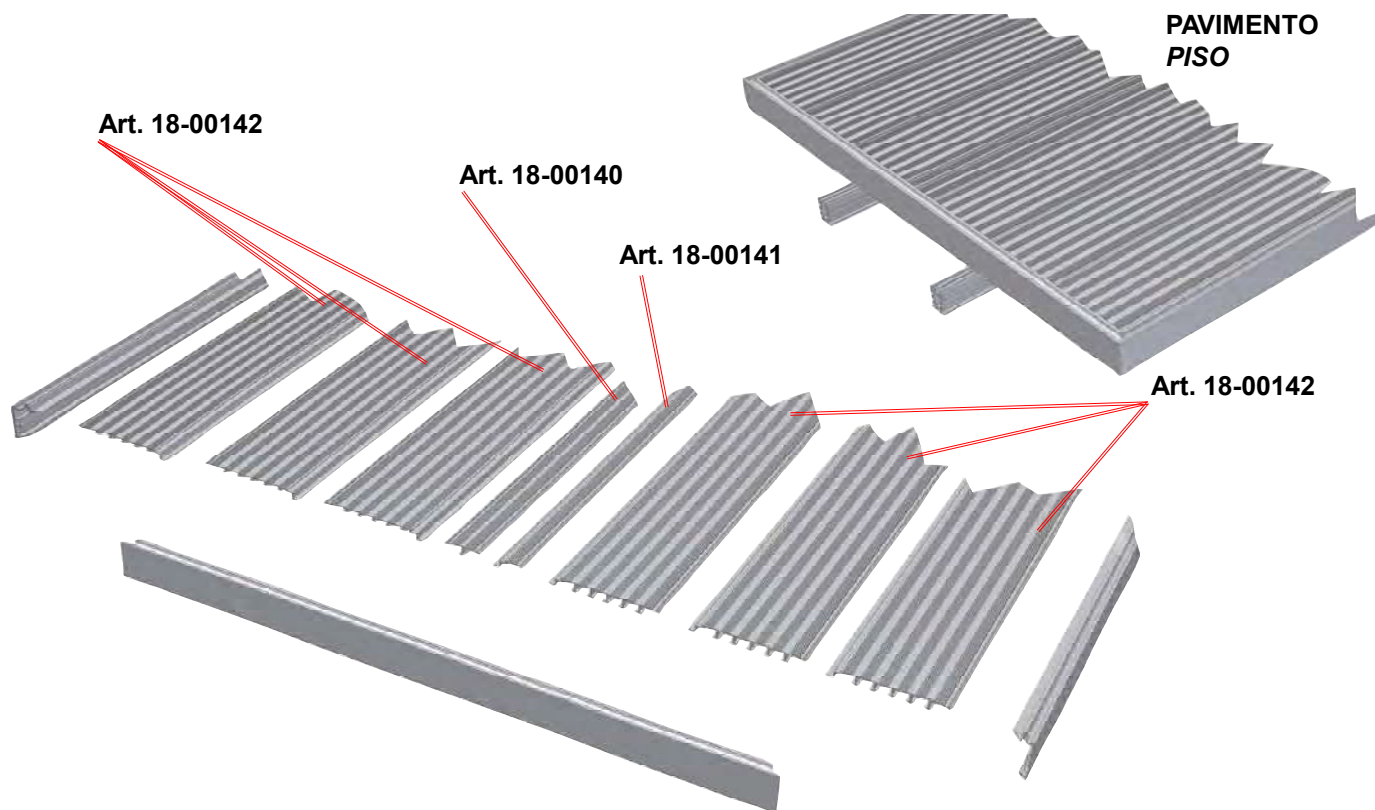
Art. 18-00139 - 3,387 Kg/ml.
Longherina per pavimento da 30
Perfil de el piso de borde 30

Art. 18-00143 - 4,041 Kg/ml.
Traversa H 80
Perfil central y corredero H 80





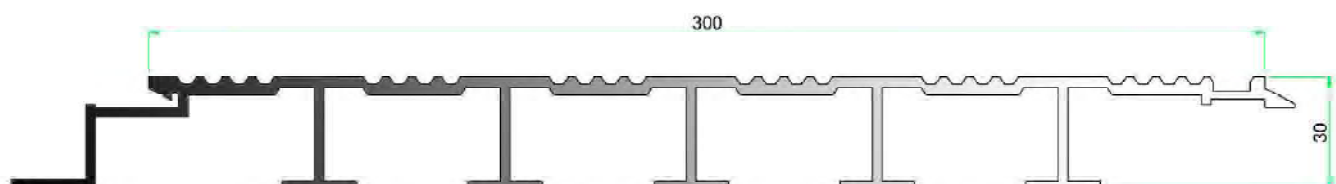
**PAVIMENTO
PISO**



Art. 18-00142 - 4,531 Kg/ml.

Pavimento da 30 semirigato

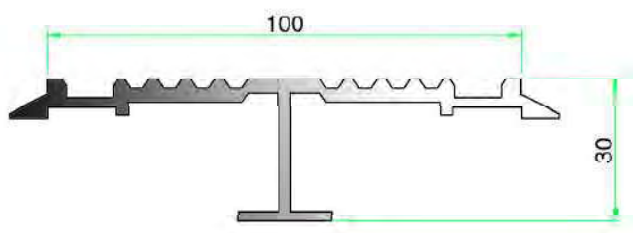
Perfil de piso de 30



Art. 18-00140 - 1,314 Kg/ml.

Yolly da 30 maschio-maschio

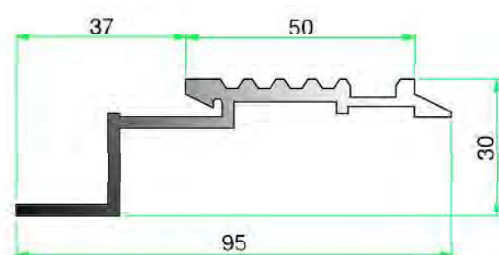
Yolly de 30 macho-macho



Art. 18-00141 - 1,081 Kg/ml.

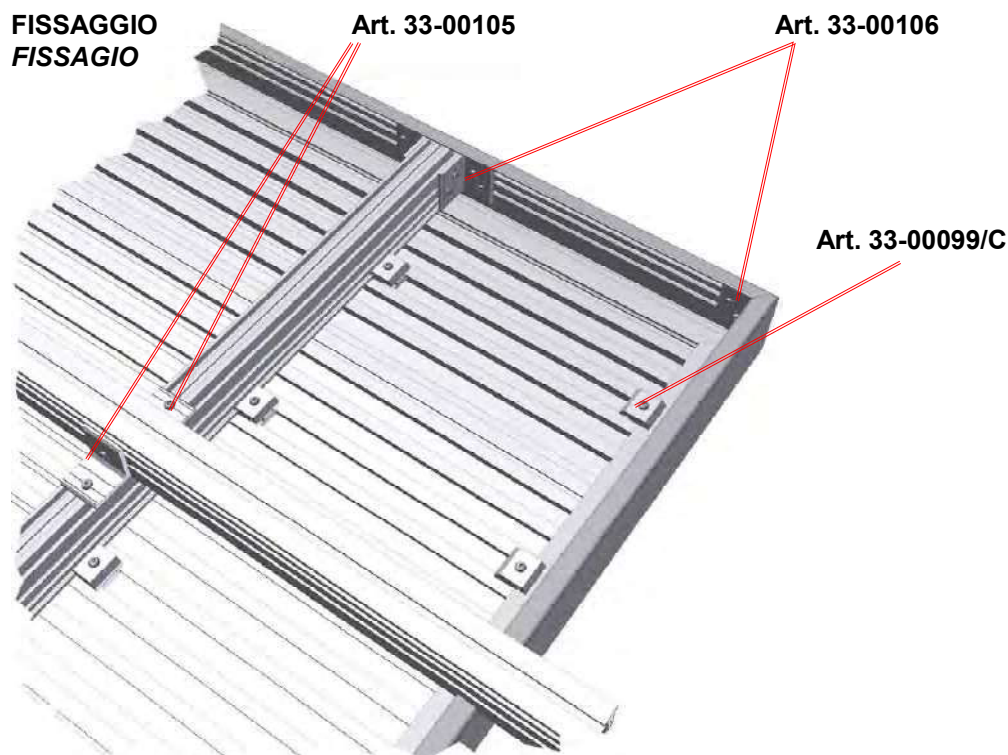
Yolly da 30 maschio-femmina

Yolly da 30 macho-hembra





FISSAGGIO
FISSAGGIO



Art. 33-00106

Angolare 60x60 L=76

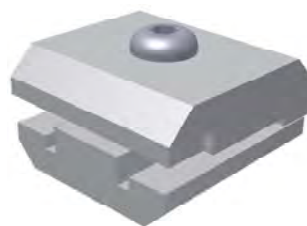
Angulo de fijación 60x60 L=76



Art. 33-00099/C

Tassello

Tassello



Art. 33-00105

Angolare 60x60 L=55

Angulo de fijación 60x60 L=55



Art. 31-00051

Piastra zincata interasse 20 mm

Platina zincada 20 mm

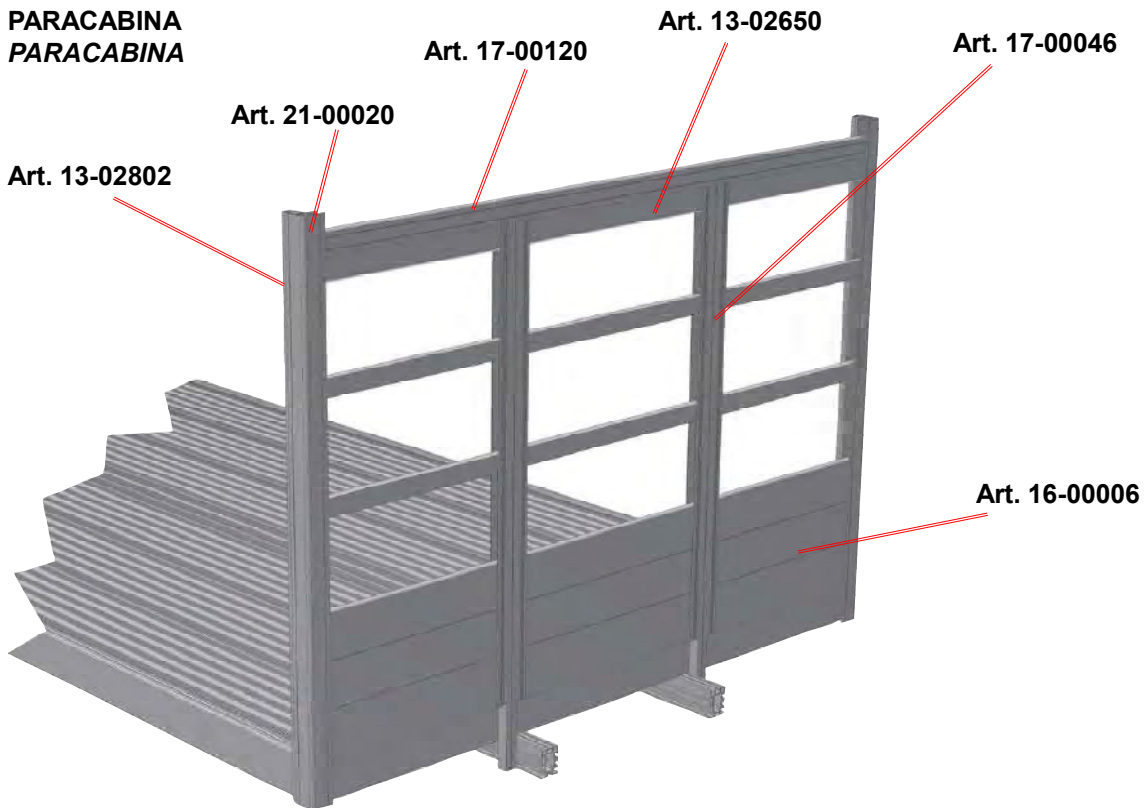
Art. 31-00074

te a brugola M8x20

ornillo M8x20



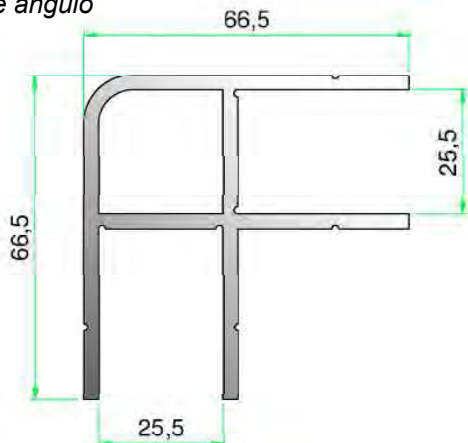
PARACABINA
PARACABINA



Art. 21-00020 - 1,958 Kg/ml.

Cantonale

Perfil de unghi



Art. 17-00046 - 2,172 Kg/ml.

Profilo a H

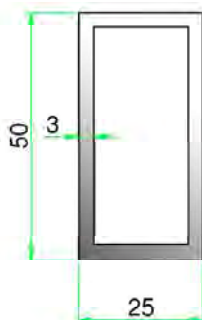
Perfil de H



Art. 13-02650 - 0,784 Kg/ml.

Profilo rettangolare

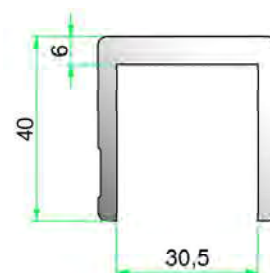
Perfil rectangular



Art. 17-00120 - 1,035 Kg/ml.

Testata s.30

Perfil s.30

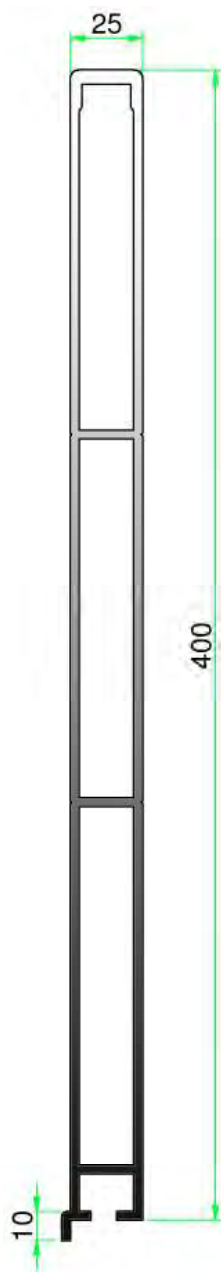




Art. 16-00006 - 4,757 Kg/ml.

Profilo sponda H=400

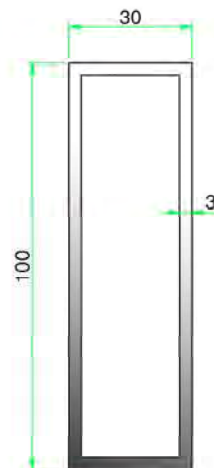
Baranda en aluminio H=400



Art. 13-02802 - 2,010 Kg/ml.

Tubo rettangolare H=100

Pefil H=100



Art. 15281110

Cerniera BM leggera

Bisagra BM hembra acero matizado

zicado



Art. 15280110

Perno BM leggera

Gonze BM acero matizado

zincado



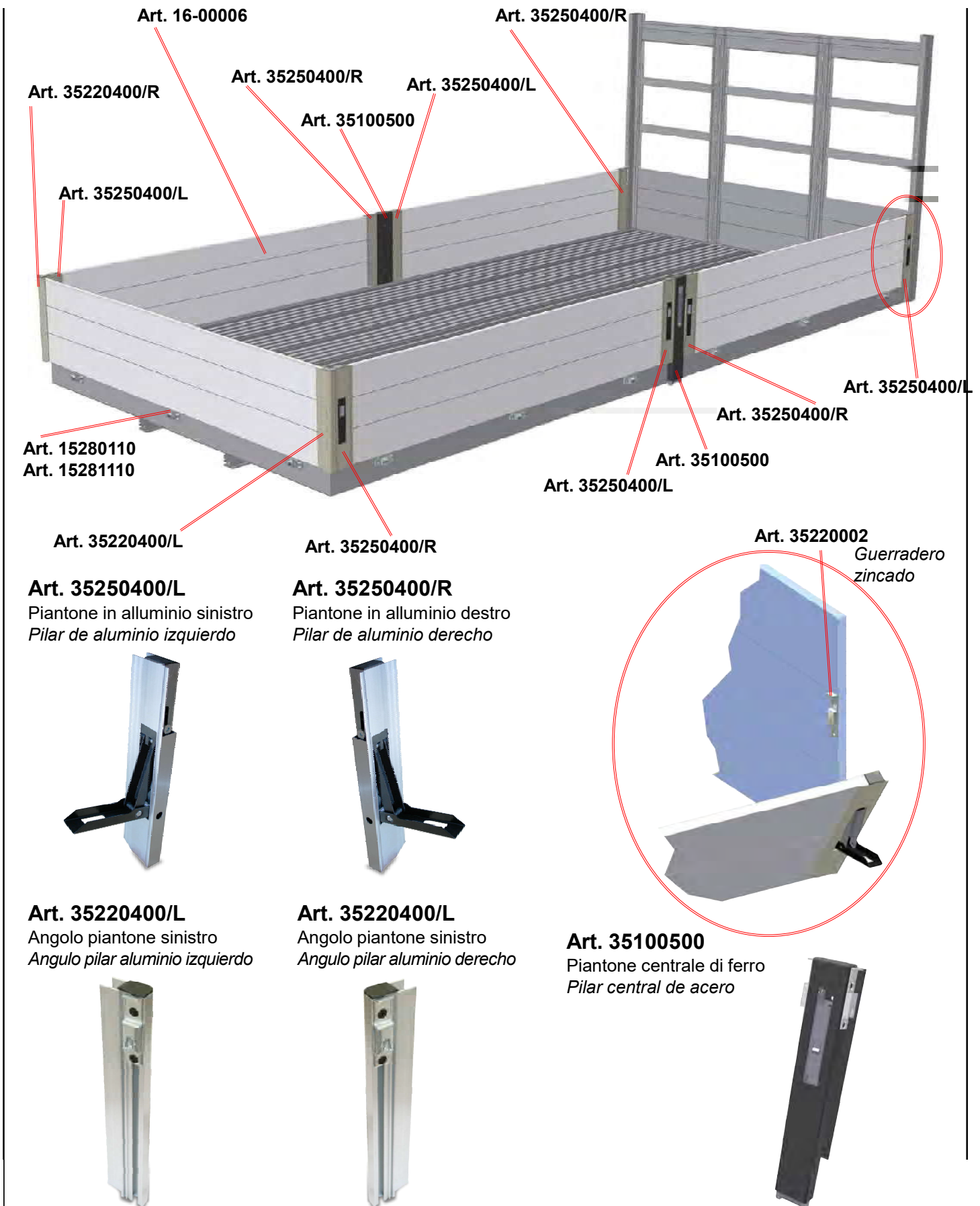
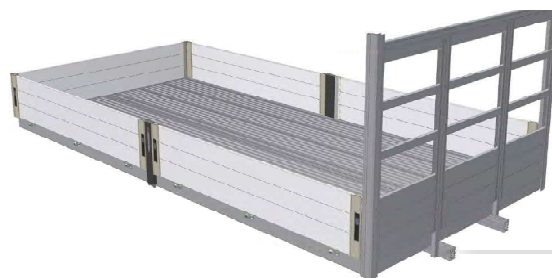


TABELLA PER COMPOSIZIONE
PIANALE - LEGA 6005 T6

PLAN-KIT "A" 2030x4000
Art. 18203040

Articolo Referencia	Descrizione Descripción	Lungh.	n° pz.
Art. 18-00143	Longheroni H.80	4100	2
Art. 18-00143	Rinforzo longheroni H.80	525	4
Art. 18-00143	Traverse H.80	1998	6
Art. 18-00139	Longherina per pavimento	4000	2
Art. 18-00139	Longherina di testata	2030	2
Art. 18-00142	Pavimento da 300 H.30	3920	6
Art. 18-00140	Yolly M-M	3920	1
Art. 18-00141	Yolly M-F	3920	1
Art. 16-00006	Sponde H.400 (laterale)	1788	4
Art. 16-00006	Sponde H.400 (posteriore)	2003	1
Art. 16-00006	Sponde H.400 (anteriore)	2040	1
Art. 21-00020	Cantonale	2000	2
Art. 17-00046	Profilo ad H	2000	2
Art. 13-02650	Tubo rettangolare 50x25 sp.3	2032	3
Art. 17-00120	Testata s.30 normale	2032	1
Art. 13-02802	Tubo rettangolare 100x30 sp.3	2000	2
	Angolare 60x60x5,5	158	8
	Angolare 80x80x8	76	2
Art. 33-00105	Angolare 60x60x5,5	55	38
Art. 33-00106	Angolare 60x60x5,5	76	26
Art. 31-00051	Piastrina zincata 1f. M8x30		200
Art. 31-00074	Brugola zincata trattata M8x16		200
Art. 31-00079	Rondella zincata Ø8		200
Art. 33-00099/C	Tasselo Plan-Kit completo		40
Art. 31-00072	Distanziali S.25 alluminio		2
Art. 31-00072Z	Distanziali S.25 zincati		2
Art. 35250400/R	Piantone TL35 destro		4
Art. 35250400/L	Piantone TL35 sinistro		4
Art. 35220400/R	Piantone d'angolo TL35 destro		1
Art. 35220400/L	Piantone d'angolo TL35 sinistro		1
Art. 35100500	Piantone centrale		2
Art. 35220002	Taschetta per TL35		2
Art. 15280110	Perno BM zincato		15
Art. 15281110	Cerniera BM zincata		15

PLAN-KIT "B" 2030x4500
Art. 18203045

Articolo Referencia	Descrizione Descripción	Lungh.	n° pz.
Art. 18-00143	Longheroni H.80	4600	2
Art. 18-00143	Rinforzo longheroni H.80	516	4
Art. 18-00143	Traverse H.80	2298	6
Art. 18-00139	Longherina per pavimento	4500	2
Art. 18-00139	Longherina di testata	2330	2
Art. 18-00142	Pavimento da 300 H.30	4420	6
Art. 18-00140	Yolly M-M	4420	1
Art. 18-00141	Yolly M-F	4420	1
Art. 16-00006	Sponde H.400 (laterale)	2038	4
Art. 16-00006	Sponde H.400 (posteriore)	2003	1
Art. 16-00006	Sponde H.400 (anteriore)	2040	1
Art. 21-00020	Cantonale	2000	2
Art. 17-00046	Profilo ad H	2000	2
Art. 13-02650	Tubo rettangolare 50x25 sp.3	2332	3
Art. 17-00120	Testata s.30 normale	2332	1
Art. 13-02802	Tubo rettangolare 100x30 sp.3	2000	2
	Angolare 60x60x5,5	158	8
	Angolare 80x80x8	76	2
Art. 33-00105	Angolare 60x60x5,5	55	42
Art. 33-00106	Angolare 60x60x5,5	76	30
Art. 31-00051	Piastrina zincata 1f. M8x30		208
Art. 31-00074	Brugola zincata trattata M8x16		208
Art. 31-00079	Rondella zincata Ø8		208
Art. 33-00099/C	Tasselo Plan-Kit completo		44
Art. 31-00072	Distanziali S.25 alluminio		2
Art. 31-00072Z	Distanziali S.25 zincati		2
Art. 35250400/R	Piantone TL35 destro		4
Art. 35250400/L	Piantone TL35 sinistro		4
Art. 35220400/R	Piantone d'angolo TL35 destro		1
Art. 35220400/L	Piantone d'angolo TL35 sinistro		1
Art. 35100500	Piantone centrale		2
Art. 35220002	Taschetta per TL35		2
Art. 15280110	Perno BM zincato		20
Art. 15281110	Cerniera BM zincata		20

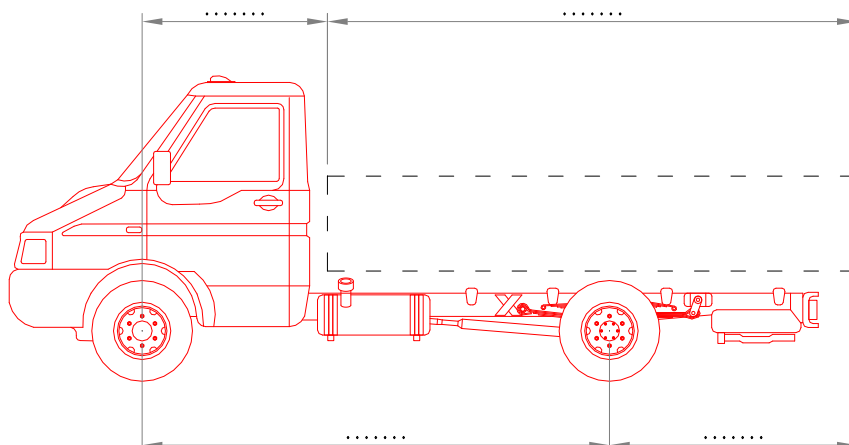


PLAN-KIT "C" 2330x4000 Art. 18233040			
Articolo Referencia	Descrizione Descripción	Lungh.	n° pz.
Art. 18-00143	Longheroni H.80	4100	2
Art. 18-00143	Rinforzo longheroni H.80	525	4
Art. 18-00143	Traverse H.80	1998	6
Art. 18-00139	Longherina per pavimento	4000	2
Art. 18-00139	Longherina di testata	2030	2
Art. 18-00142	Pavimento da 300 H.30	3920	7
Art. 18-00140	Yolly M-M	3920	1
Art. 18-00141	Yolly M-F	3920	1
Art. 16-00006	Sponde H.400 (laterale)	1788	4
Art. 16-00006	Sponde H.400 (posteriore)	2303	1
Art. 16-00006	Sponde H.400 (anteriore)	2040	1
Art. 21-00020	Cantonale	2000	2
Art. 17-00046	Profilo ad H	2000	2
Art. 13-02650	Tubo rettangolare 50x25 sp.3	2032	3
Art. 17-00120	Testata s.30 normale	2032	1
Art. 13-02802	Tubo rettangolare 100x30 sp.3	2000	2
	Angolare 60x60x5,5	158	8
	Angolare 80x80x8	76	2
Art. 33-00105	Angolare 60x60x5,5	55	38
Art. 33-00106	Angolare 60x60x5,5	76	26
Art. 31-00051	Piastrina zincata 1f. M8x30		200
Art. 31-00074	Brugola zincata trattata M8x16		200
Art. 31-00079	Rondella zincata Ø8		200
Art. 33-00099/C	Tassello Plan-Kit completo		40
Art. 31-00072	Distanziali S.25 alluminio		2
Art. 31-00072Z	Distanziali S.25 zincati		2
Art. 35250400/R	Piantone TL35 destro		4
Art. 35250400/L	Piantone TL35 sinistro		4
Art. 35220400/R	Piantone d'angolo TL35 destro		1
Art. 35220400/L	Piantone d'angolo TL35 sinistro		1
Art. 35100500	Piantone centrale		2
Art. 35220002	Taschetta per TL35		2
Art. 15280110	Perno BM zincato		15
Art. 15281110	Cerniera BM zincata		15

PLAN-KIT "D" 2330x4500 Art. 18233045			
Articolo Referencia	Descrizione Descripción	Lungh.	n° pz.
Art. 18-00143	Longheroni H.80	4600	2
Art. 18-00143	Rinforzo longheroni H.80	516	4
Art. 18-00143	Traverse H.80	2298	7
Art. 18-00139	Longherina per pavimento	4500	2
Art. 18-00139	Longherina di testata	2330	2
Art. 18-00142	Pavimento da 300 H.30	4420	7
Art. 18-00140	Yolly M-M	4420	1
Art. 18-00141	Yolly M-F	4420	1
Art. 16-00006	Sponde H.400 (laterale)	2038	4
Art. 16-00006	Sponde H.400 (posteriore)	2303	1
Art. 16-00006	Sponde H.400 (anteriore)	2040	1
Art. 21-00020	Cantonale	2000	2
Art. 17-00046	Profilo ad H	2000	2
Art. 13-02650	Tubo rettangolare 50x25 sp.3	2332	3
Art. 17-00120	Testata s.30 normale	2332	1
Art. 13-02802	Tubo rettangolare 100x30 sp.3	2000	2
	Angolare 60x60x5,5	158	8
	Angolare 80x80x8	76	2
Art. 33-00105	Angolare 60x60x5,5	55	42
Art. 33-00106	Angolare 60x60x5,5	76	30
Art. 31-00051	Piastrina zincata 1f. M8x30		208
Art. 31-00074	Brugola zincata trattata M8x16		208
Art. 31-00079	Rondella zincata Ø8		208
Art. 33-00099/C	Tassello Plan-Kit completo		44
Art. 31-00072	Distanziali S.25 alluminio		2
Art. 31-00072Z	Distanziali S.25 zincati		2
Art. 35250400/R	Piantone TL35 destro		4
Art. 35250400/L	Piantone TL35 sinistro		4
Art. 35220400/R	Piantone d'angolo TL35 destro		1
Art. 35220400/L	Piantone d'angolo TL35 sinistro		1
Art. 35100500	Piantone centrale		2
Art. 35220002	Taschetta per TL35		2
Art. 15280110	Perno BM zincato		20
Art. 15281110	Cerniera BM zincata		20

Características Técnicas

Dimensiones





KOUTSOFTA
BROS.

A&G KOUTSOFTA BROS LTD

23 Markou Drakou, Dasaki Achnas, Cyprus

koutsoftabros@cytanet.com.cy

Tel: +357 24722500